



ROHDE & SCHWARZ

Geschäftsbereich
Meßtechnik

Servicehandbuch

SIGNAL GENERATOR

SMH

845.4002.52

ENGLISH MANUAL FOLLOWS FIRST COLOURED DIVIDER

Printed in the Federal
Republic of Germany



Qualitätszertifikat

Sehr geehrter Kunde,

Sie haben sich für den Kauf eines Rohde & Schwarz-Produktes entschieden. Hiermit erhalten Sie ein nach modernsten Fertigungsmethoden hergestelltes Produkt. Es wurde nach den Regeln unseres Qualitätsmanagementsystems entwickelt, gefertigt und geprüft. Das Rohde & Schwarz-Qualitätsmanagementsystem ist u.a. nach ISO 9001 und ISO 14001 zertifiziert.

Certificate of quality

Dear Customer,

You have decided to buy a Rohde & Schwarz product. You are thus assured of receiving a product that is manufactured using the most modern methods available. This product was developed, manufactured and tested in compliance with our quality management system standards. The Rohde & Schwarz quality management system is certified according to standards such as ISO 9001 and ISO 14001.

Certificat de qualité

Cher client,

Vous avez choisi d'acheter un produit Rohde & Schwarz. Vous disposez donc d'un produit fabriqué d'après les méthodes les plus avancées. Le développement, la fabrication et les tests respectent nos normes de gestion qualité. Le système de gestion qualité de Rohde & Schwarz a été homologué, entre autres, conformément aux normes ISO 9001 et ISO 14001.



ROHDE & SCHWARZ

Adressen/Addresses

FIRMENSITZ/HEADQUARTERS

	Phone	
	Fax	
	E-mail	
Rohde & Schwarz GmbH & Co. KG	+49 (89) 41 29-0	
Mühl Dorfstraße 15 · D-81671 München	+49 89 4129-121 64	
Postfach 80 14 69 · D-81614 München	-	

WERKE/PLANTS

Rohde & Schwarz Messgerätebau GmbH	+49 (8331) 108-0	
Riedbachstraße 58 · D-87700 Memmingen	+49 (8331) 108-11 24	
Postfach 1652 · D-87686 Memmingen	-	

Rohde & Schwarz GmbH & Co. KG	+49 (9923) 857-0	
Werk Teisnach	+49 (9923) 857-11 74	
Kaikenrieder Straße 27 · D-94244 Teisnach	-	
Postfach 1149 · D-94240 Teisnach		

Rohde & Schwarz GmbH & Co. KG	+49 (2203) 49-0	
Dienstleistungszentrum Köln	+49 (2203) 49 51-308	
Graf-Zeppelin-Straße 18 · D-51147 Köln	info@rsdc.rohde-schwarz.com	
Postfach 98 02 60 · D-51130 Köln	service@rsdc.rohde-schwarz.com	

TOCHTERUNTERNEHMEN/

Rohde & Schwarz Vertriebs-GmbH	+49 (89) 41 29-137 74	
Mühl Dorfstraße 15 · D-81671 München	+49 (89) 41 29-137 77	
Postfach 80 14 69 · D-81614 München	-	

Rohde & Schwarz International GmbH	+49 (89) 41 29-129 84	
Mühl Dorfstraße 15 · D-81671 München	+49 (89) 41 29-120 50	
Postfach 80 14 60 · D-81614 München	-	

Rohde & Schwarz Engineering and Sales GmbH	+49 (89) 41 29-137 11	
Mühl Dorfstraße 15 · D-81671 München	+49 (89) 41 29-137 23	
Postfach 80 14 29 · D-81614 München	-	

R&S BICK Mobilfunk GmbH	+49 (5042) 998-0	
Fritz-Hahne-Str. 7 · D-31848 Bad Münder	+49 (5042) 998-105	
Postfach 2062 · D-31844 Bad Münder	-	

Rohde & Schwarz FTK GmbH	+49 (30) 658 91-122	
Wendenschlossstraße 168, Haus 28	+49 (30) 655 50-221	
D-12557 Berlin	-	

Rohde & Schwarz SIT GmbH	+49 (30) 658 84-0	
Agastraße 3	+49 (30) 658 84-183	
D-12489 Berlin	-	

ADRESSEN DEUTSCHLAND/ ADDRESSES GERMANY

Rohde & Schwarz Vertriebs-GmbH	+49 89 4129-133 74	
Mühl Dorfstraße 15 · D-81671 München	+4989 4129-133 77	
Postfach 80 14 69 · D-81614 München	-	

Zweigniederlassungen der Rohde & Schwarz Vertriebs-GmbH/Branch offices of Rohde & Schwarz Vertriebs-GmbH

Zweigniederlassung Nord, Geschäftsstelle Berlin	+49 (30) 34 79 48-0	
Ernst-Reuter-Platz 10 · D-10587 Berlin	+49 (30) 34 79 48 48	
Postfach 100620 · D-10566 Berlin	-	

Zweigniederlassung Büro Bonn	+49 (228) 918 90-0	
Josef-Wirmer-Straße 1-3 · D-53123 Bonn	+49 (228) 25 50 67	
Postfach 140264 · D-53057 Bonn	-	

Zweigniederlassung Nord, Geschäftsstelle Hamburg	+49 (40) 63 29 00-0	
Steilshooper Alle 47 · D-22309 Hamburg	+49 (40) 630 78 70	
Postfach 60 22 40 · D-22232 Hamburg	-	

Zweigniederlassung Mitte, Geschäftsstelle Köln	+49 (2203) 807-0	
Niederlasser Straße 33 · D-51147 Köln	+49 (2203) 807-650	
Postfach 900 149 · D-51111 Köln	-	

Zweigniederlassung Süd, Geschäftsstelle München	+49 (89) 41 86 95-0	
Mühl Dorfstraße 15 · D-81671 München	+49 (89) 40 47 64	
Postfach 80 14 69 · D-81614 München	-	

Zweigniederlassung Süd, Geschäftsstelle Nürnberg	+49 (911) 642 03-0	
Donaustraße 36	+49 (911) 642 03-33	
D-90451 Nürnberg	-	

Zweigniederlassung Mitte, Geschäftsstelle Neu-Isenburg	+49 (6102) 20 07-0	
Siemensstraße 20	+49 (6102) 20 07 12	
D-63263 Neu-Isenburg	-	

ADRESSEN WELTWEIT/ ADDRESSES WORLDWIDE

Albania siehe / see Austria

Algeria	ROHDE & SCHWARZ	+213 (21) 48 20 18
	Bureau d'Alger	+213 (21) 69 46 08
	5B Place de Laperrine	
	16035 Hydra-Alger	

Argentina	PRECISION ELECTRONICA S.R.L.	+541 (14) 331 41 99
	Av. Pde Julio A. Roca 710 - 6° Piso	+541 (14) 334 51 11
	(C1067ABP) Buenos Aires	alberto_lombardi@prec-elec.com.ar

Australia	ROHDE & SCHWARZ (AUSTRALIA) Pty. Ltd.	+61 (2) 88 45 41 00
	Sales Support	+61 (2) 96 38 39 88
	Unit 6	lyndell.james@rsaus.rohde-
	2-8 South Street	schwarz.com
	Rydalmere, N.S.W. 2116	

Austria	ROHDE & SCHWARZ-ÖSTERREICH	+43 (1) 602 61 41-0
	Ges.m.b.H.	+43 (1) 602 61 41-14
	Am Euro Platz 3	rs-austria@rsoe.rohde-schwarz.com
	Gebäude B	
	1120 Wien	

Azerbaijan	ROHDE & SCHWARZ Azerbaijan	+994 (12) 93 31 38
	Liaison Office Baku	+994 (12) 93 03 14
	ISR Plaza	RS-Azerbaijan@RUS.Rohde-
	340 Nizami Str.	Schwarz.com
	370000 Baku	

Baltic Countries siehe / see Denmark

Bangladesh	BIL Consortium Ltd.	+880 (2) 881 06 53
	Corporate Office	+880 (2) 882 82 91
	House-33, Road-4, Block-F	
	Banani	
	Dhaka-1213	

Belgium	ROHDE & SCHWARZ BELGIUM N.V.	+32 (2) 721 50 02
	Excelsiorlaan 31 Bus 1	+32 (2) 725 09 36
	1930 Zaventem	info@rsb.rohde-schwarz.com

Brazil	ROHDE & SCHWARZ DO BRASIL LTDA.	+55 (11) 56 44 86 11 (general)
	Av. Alfredo Egidio de Souza Aranha nº 177,	+55 (11) 56 44 86 25 (sales)
	1° andar - Santo Amaro	+55 (11) 56 44 86 36
	04726-170 Sao Paulo - SP	sales-brazil@rsdb.rohde-
		schwarz.com

Brunei	GKL Equipment PTE Ltd.	+65 (6) 276 06 26
	#11-01 BP Tower	+65 (6) 276 06 29
	396 Alexandra Road	gkleqpt@singnet.com.sg
	Singapore 119954	

Bulgaria	ROHDE & SCHWARZ ÖSTERREICH	+359 (2) 963 43 34
	Representation Office Bulgaria	+359 (2) 963 21 97
	39, Fridtjof Nansen Blvd.	rohdebg@rsoe.rohde-schwarz.com
	1000 Sofia	

Bosnia-Herzegovina siehe / see Slovenia

Adressen/Addresses

Canada	ROHDE & SCHWARZ CANADA Inc. 555 March Rd. Kanata, Ontario K2K 2M5	+1 (613) 592 80 00 +1 (613) 592 80 09 cgirwarnauth@rscanada.ca	Denmark	ROHDE & SCHWARZ DANMARK A/S Ejby Industrivej 40 2600 Glostrup	+45 (43) 43 66 99 +45 (43) 43 77 44
Canada	TEKTRONIX CANADA Inc. Test and Measurement 4929 Place Olivia Saint-Laurent, Pq Montreal H4R 2V6	+1 (514) 331 43 34 +1 (514) 331 59 91	Ecuador	REPRESENTACIONES MANFRED WEINZIERL Vía Láctea No. 4 y Vía Sta. Inés P.O.Box 17-22-20309 1722 Cumbayá-Quito	+593 (22) 89 65 97 +593 (22) 89 65 97 mweinzierl@plus.net.ec
Chile	DYMEQ Ltda. Av. Larrain 6666 Santiago	+56 (2) 339 20 00 +56 (2) 339 20 10 dymeq@dymeq.com	Egypt	U.A.S. Universal Advanced Systems 31 Manshiet El-Bakry Street Heliopolis 11341 Cairo	+20 (2) 455 67 44 +20 (2) 256 17 40 an_uas@link.net
China	ROHDE & SCHWARZ China Ltd. Representative Office Shanghai Central Plaza 227 Huangpi North Road RM 807/809 Shanghai 200003	+86 (21) 63 75 00 18 +86 (21) 63 75 91 70	El Salvador	siehe / see Mexico	
China	ROHDE & SCHWARZ China Ltd. Representative Office Beijing Room 602, Parkview Center 2 Jiangtai Road Chao Yang District Beijing 100016	+86 (10) 64 31 28 28 +86 (10) 64 37 98 88 info.rschina@rsbp.rohde-schwarz.com	Estonia	ROHDE & SCHWARZ DANMARK A/S Estonian Branch Office Narva mnt. 13 10151 Tallinn	+372 (6) 14 31 23 +372 (6) 14 31 21 margo.fingling@rsdk.rohde-schwarz.com
China	ROHDE & SCHWARZ China Ltd. Representative Office Guangzhou Room 2903, Metro Plaza 183 Tianhe North Road Guangzhou 510075	+86 (20) 87 55 47 58 +86 (20) 87 55 47 59	Finland	Orbis Oy P.O.Box 15 00421 Helsinki 42	+358 (9) 47 88 30 +358 (9) 53 16 04 info@orbis.fi
China	ROHDE & SCHWARZ China Ltd. Representative Office Chengdu Unit G, 28/F, First City Plaza 308 Shuncheng Avenue Chengdu 610017	+86 (28) 86 52 76 05 to 09 +86 (28) 86 52 76 10 rsbpc@mail.sc.cninfo.net	France	ROHDE & SCHWARZ FRANCE Immeuble "Le Newton" 9-11, rue Jeanne Braconnier 92366 Meudon La Forêt Cédex	+33 (1) 41 36 10 00 +33 (1) 41 36 11 73 contact@rsf.rohde-schwarz.com
China	ROHDE & SCHWARZ China Ltd. Representative Office Chengdu Unit G, 28/F, First City Plaza 308 Shuncheng Avenue Chengdu 610017	+86 (28) 86 52 76 05 to 09 +86 (28) 86 52 76 10 rsbpc@mail.sc.cninfo.net	France	Niederlassung/Subsidiary Rennes 37 Rue du Bignon Bât. A F-35510 Cesson Sevigne	+33 (0) 299 51 97 00 +33 (0) 299 51 98 77 -
China	ROHDE & SCHWARZ China Ltd. Unit 3115 31/F Entertainment Building 30 Queen's Road Central Hongkong	+85 (2) 21 68 06 70 +85 (2) 21 68 08 99	France	Niederlassung/Subsidiary Toulouse Technoparc 3 B.P. 501 F-31674 Labège Cédex	+33 (0) 561 39 10 69 +33 (0) 561 39 99 10 -
China	ROHDE & SCHWARZ China Ltd. Representative Office Xi'an Room 10125, Jianguo Hotel Xi'an No. 2, Huzhu Road Xi'an 710048	+86 (29) 321 82 33 +86 (29) 329 60 15 sherry.yu@rsbp.rohde-schwarz.com	France	Aix-en-Provence	+33 (0) 494 07 39 94 +33 (0) 494 07 55 11 -
China	ROHDE & SCHWARZ China Ltd. Representative Office Shenzhen No. 2002 Jiabin Road Luohu District Shenzhen 518001	+86 (755) 25 18 50 18 +86 (755) 25 18 50 18 jessica.lia@rsbp.rohde-schwarz.com	France	Office Lyon	+33 (0) 478 29 88 10 +33 (0) 478 79 18 57
China	Shanghai ROHDE & SCHWARZ Communication Technology Co.Ltd.		France	Office Nancy	+33 (0) 383 54 51 29 +33 (0) 383 54 82 09
China	Beijing ROHDE & SCHWARZ Communication Technology Co.Ltd. Room 106, Parkview Centre No. 2, Jiangtai Road Chao Yang District Beijing 100016	+86 (10) 64 38 80 80 +86 (10) 64 38 97 06	Ghana	KOP Engineering Ltd. P.O. Box 11012 3rd Floor Akai House, Osu Accra North	+233 (21) 77 89 13 +233 (21) 701 06 20
Croatia	siehe / see Slovenia		Greece	MERCURY S.A. 6, Loukianou Str. 10675 Athens	+302 (10) 722 92 13 +302 (10) 721 51 98 mercury@hol.gr
Cyprus	HINIS TELECAST LTD. Agiou Thoma 18 Kiti Larnaca 7550	+357 (24) 42 51 78 +357 (24) 42 46 21 hinis@logos.cy.net	Guatemala	siehe / see Mexico	
Czech Republic	ROHDE & SCHWARZ - Praha s.r.o. Hadovka Office Park Evropská 33c 16000 Praha 6	+420 (2) 24 31 12 32 +420 (2) 24 31 70 43 office@rscz.rohde-schwarz.com	Honduras	siehe / see Mexico	
			Hong Kong	Electronic Scientific Engineering 9/F North Somerset House Taikoo Place 979 King's Road Hong Kong	+852 (25) 07 03 33 +852 (25) 07 09 25 stephenchau@ese.com.hk
			Hungary	ROHDE & SCHWARZ Budapesti Iroda Váci út 169 1138 Budapest	+36 (1) 412 44 60 +36 (1) 412 44 61 RS-Hungary@rshu.rohde-schwarz.com
			Iceland	siehe / see Denmark	

Adressen/Addresses

India	ROHDE & SCHWARZ India Pvt. Ltd. Bangalore Office No. 24, Service Road, Domlur 2nd Stage Extension Bangalore - 560 071	+91 (80) 535 23 62 +91 (80) 535 03 61 rsindiab@rsnl.net	Kazakhstan	ROHDE & SCHWARZ Kazakhstan Representative Office Almaty Pl. Respubliki 15 480013 Almaty	+7 (32) 72 63 55 55 +7 (32) 72 63 46 33 RS-Kazakhstan@RUS-Rohde-Schwarz.com
India	ROHDE & SCHWARZ India Pvt. Ltd. Hyderabad Office 302 & 303, Millenium Centre 6-3-1099/1100, Somajiguda Hyderabad - 500 016	+91 (40) 23 32 24 16 +91 (40) 23 32 27 32 rsindiah@nd2.dot.net.in	Kenya	Excel Enterprises Ltd Dunga Road P.O.Box 42 788 Nairobi	+254 (2) 55 80 88 +254 (2) 54 46 79
India	ROHDE & SCHWARZ India Pvt. Ltd. 244, Okhla Industrial Estate, Phase-III New Delhi 110020	+91 (11) 26 32 63 81 +91 (11) 26 32 63 73 sales@rsindia.rohde-schwarz.com services@rsindia.rohde-schwarz.com	Korea	ROHDE & SCHWARZ Korea Ltd. 83-29 Nonhyun-Dong, Kangnam-Ku Seoul 135-010	+82 (2) 514 45 46 +82 (2) 514 45 49 sales@rskor.rohde-schwarz.com service@rskor.rohde-schwarz.com
India	ROHDE & SCHWARZ India Pvt. Ltd. RS India Mumbai Office B-603, Remi Bizcourt, Shah Industrial Estate, Off Veera Desai Road Mumbai - 400 058	+91 (22) 26 30 18 10 +91 (22) 26 73 20 81 rsindiam@rsnl.net	Kuwait	Group Five Trading & Contracting Co. Mezanine Floor Al-Bana Towers Ahmad Al Jaber Street Sharq	+965 (244) 91 72/73/74 +965 (244) 95 28 jk_agarwal@yahoo.com
Indonesia	PT ROHDE & SCHWARZ Indonesia Graha Paramita 5th Floor Jln. Denpasar Raya Blok D-2 Jakarta 12940	+62 (21) 252 36 08 +62 (21) 252 36 07 sales@rsbj.rohde-schwarz.com services@rsbj.rohde-schwarz.com	Latvia	ROHDE & SCHWARZ DANMARK A/S Latvian Branch Office Merkela iela 21-301 1050 Riga	+371 (7) 50 23 55 +371 (7) 50 23 60 rsdk@rsdk.rohde-schwarz.com
Iran	ROHDE & SCHWARZ IRAN Groundfloor No. 1, 14th Street Khaled Eslamboli (Vozara) Ave. 15117 Tehran	+98 (21) 872 42 96 +98 (21) 871 90 12 rs-tehran@neda.net	Lebanon	ROHDE & SCHWARZ Liaison Office Riyadh P.O.Box 361 Riyadh 11411	+966 (1) 465 64 28 Ext. 303 +966 (1) 465 64 28 Ext. 229 chris.porzky@rsd.rohde-schwarz.com
Ireland	siehe / see United Kingdom		Lebanon	Netcom P.O.Box 55199 Op. Ex-Presidential Palace Horsh Tabet Beirut	+961-1-48 69 99 +961-1-49 05 11 netcom@inco.com.lb
Israel	EASTRONICS LTD. Messtechnik / T&M Equipment 11 Rozanis St. P.O.Box 39300 Tel Aviv 61392	+972 (3) 645 87 77 +972 (3) 645 86 66 david_hasky@easx.co.il	Liechtenstein	siehe / see Switzerland	
Israel	J.M. Moss (Engineering) Ltd. Kommunikationstechnik/ Communications Equipment 9 Oded Street P.O.Box 967 52109 Ramat Gan	+972 (3) 631 20 57 +972 (3) 631 40 58 jmoss@zahav.net.il	Lithuania	ROHDE & SCHWARZ DANMARK A/S Lithuanian Office Lukiskiu 5-22B 2600 Vilnius	+370 (5) 239 50 10 +370 (5) 239 50 11
Italy	ROHDE & SCHWARZ ITALIA S.p.a. Centro Direzionale Lombardo Via Roma 108 20060 Cassina de Pecchi (MI)	+39 (02) 95 70 42 03 +39 (02) 95 30 27 72 ornella.crippa@rsi.rohde-schwarz.com	Luxembourg	siehe / see Belgium	
Italy	ROHDE & SCHWARZ ITALIA S.p.a. Via Tiburtina 1182 00156 Roma	+39 (06) 41 59 82 18 +39 (06) 41 59 82 70	Macedonia	siehe / see Slovenia	
Japan	Rohde & Schwarz Support Center Japan K.K. 711 bldg., Room 501 (5th floor) 7-11-18 Nishi-Shinjuku Shinjuku-ku Tokyo 160-0023	+81 (3) 59 25 12 88 +81 (3) 59 25 12 90 Akihiko Yoshimura/RSJP@RSJP	Malaysia	DAGANG TEKNIK SDN. BHD. No. 9, Jalan SS 4D/2 Selangor Darul Ehsan 47301 Petaling Jaya	+60 (3) 27 03 55 68 +60 (3) 27 03 34 39 maryanne@danik.com.my
Japan	ADVANTEST Sales Promotion Department Shinjuku-NS bldg. 2-4-1, Nishi-Shinjuku Shinjuku-ku Tokyo 160-0880	+81 (3) 33 42 75 52 +81 (3) 53 22 72 70 mkoyama@ns.advantest.co.jp	Malta	ITEC International Technology Ltd B'Kara Road San Gwann SGN 08	+356 (21) 37 43 00 or 37 43 29 +356 (21) 37 43 53 sales@itec.com.mt
Jordan	Jordan Crown Engineering & Trading Co. Jabal Amman, Second Circle Youssef Ezzideen Street P.O.Box 830414 Amman, 11183	+962 (6) 462 17 29 +962 (6) 465 96 72 jocrown@go.com.jo	Mexico	Rohde & Schwarz de Mexico (RSMX) S. de R.L. de C.V. German Centre Oficina 4-2-2 Av. Santa Fé 170 Col. Lomas de Santa Fé 01210 Mexico D.F.	+52 (55) 85 03 99 13 +52 (55) 85 03 99 16 latinoamerica@rsd.rohde-schwarz.com
			Mexico	Rohde & Schwarz de Mexico (RSMX) Av. Prol. Americas No. 1600, 2° Piso Col. Country Club Guadalajara, Jal. Mexico CP, 44610	+52 (33) 36 78 91 70 +52 (33) 36 78 92 00
			Moldavia	siehe / see Romania	
			Nepal	ICTC Pvt. Ltd. Hattisar, Post Box No. 660 Kathmandu	+977 (1) 443 48 95 +977 (1) 443 49 37 ictc@mos.com.np
			Netherlands	ROHDE & SCHWARZ NEDERLAND B.V. Perkinsbaan 1 3439 ND Nieuwegein	+31 (30) 600 17 00 +31 (30) 600 17 99 info@rsn.rohde-schwarz.com

Adressen/Addresses

New Zealand	Nichecom 1 Lincoln Ave. Tawa, Wellington	+64 (4) 232 32 33 +64 (4) 232 32 30 rob@nichecom.co.nz	Singapore	ROHDE & SCHWARZ Support Centre Asia PTE Ltd. 1 Kaki Bukit View #04-05/07 Techview Singapore 415 941	+65 68 46 37 10 +65 67 49 17 91 rsca@rssg.rohde-schwarz.com
Nicaragua	siehe / see Mexico		Slovak Republic	Speciálne systémy a software, a.s. Svrčia ul. 841 04 Bratislava	+421 (2) 65 42 24 88 +421 (2) 65 42 07 68 stefan.lozek@special.sk
Nigeria	Ferrostaal Abuja Plot 3323, Barada Close P.O.Box 8513, Wuse Off Amazon Street Maitama, Abuja	+234 (9) 413 52 51 +234 (9) 413 52 50 fsabuja@rosecom.net	Slovenia	ROHDE & SCHWARZ Representation Ljubljana Tbilisjska 89 1000 Ljubljana	+386 (1) 423 46 51 +386 (1) 423 46 11 rohdesi@rsoe.rohde-schwarz.com
Norway	ROHDE & SCHWARZ NORGE AS Enebakkeveien 302 B 1188 Oslo	+47 (23) 38 66 00 +47 (23) 38 66 01	South Africa	Protea Data Systems (Pty.) Ltd. Communications and Measurement Division Private Bag X19 Bramley 2018	+27 (11) 719 57 00 +27 (11) 786 58 91 unicm@protea.co.za
Oman	Mustafa Sultan Science & Industry Co.LLC. For Test & Measurement ONLY Way No. 3503 Building No. 241 Postal Code 112 Al Khuwair, Muscat	+968 636 000 +968 607 066 m-aziz@mustafasultan.com	South Africa	Protea Data Systems (Pty.) Ltd. Cape Town Branch Unit G9, Centurion Business Park Bosmandam Road Milnerton Cape Town, 7441	+27 (21) 555 36 32 +27 (21) 555 42 67 unicm@protea.co.za
Pakistan	Siemens Pakistan 23, West Jinnah Avenue Islamabad	+92 (51) 227 22 00 +92 (51) 227 54 98 reza.bokhary@siemens.com.pk	Spain	ROHDE & SCHWARZ ESPANA S.A. Salcedo, 11 28034 Madrid	+34 (91) 334 10 70 +34 (91) 329 05 06 rses@rses-rohde-schwarz.com
Panama	siehe / see Mexico		Sri Lanka	Dynatel Communications (PTE) Ltd. 451/A Kandy Road Kelaniya	+94 (1) 90 80 01 +94 (1) 91 04 69 dyna-svc@sltnet.lk
Papua New Guinea	siehe / see Australia		Sudan	SolarMan Co. Ltd. P.O.Box 11 545 North of Fraouq Cementry 6/7/9 Bldg. 16 Karthoum	+249 (11) 47 31 08 +249 (11) 47 31 38 solarman29@hotmail.com
Philippines	Rohde & Schwarz (Philippines) Ltd. PBCom Tower Ayala Ave. cor. Herrera Sts. Makati City/ Philippines	+63 (2) +63 (2)	Sweden	ROHDE & SCHWARZ SVERIGE AB Marketing Div. Flygfältsgatan 15 128 30 Skarpnäck	+46 (8) 605 19 00 +46 (8) 605 19 80 info@rss.se
Poland	ROHDE & SCHWARZ Österreich SP.z o.o. Przedstawicielstwo w Polsce ul. Stawki 2, Pietro 28 00-193 Warszawa	+48 (22) 860 64 94 +48 (22) 860 64 99 rohdepl@rsoe.rohde-schwarz.com	Switzerland	Roschi Rohde & Schwarz AG Mühlestr. 7 3063 Ittigen	+41 (31) 922 15 22 +41 (31) 921 81 01 sales@roschi.rohde-schwarz.com
Portugal	Rohde & Schwarz Portugal, Lda. Alameda Antonio Sergio 7-R/C - Sala A 2795-023 Linda-a-Velha	+351 (21) 415 57 00 +351 (21) 415 57 10 info@rspt.rohde-schwarz.com	Syria	Electro Scientific Office Baghdad Street Dawara Clinical Lab. Bldg P.O.Box 8162 Damascus	+963 (11) 231 59 74 +963 (11) 231 88 75 memo@hamshointl.com
Romania	ROHDE & SCHWARZ Representation Office Bucharest Str. Uranus 98 Sc. 2, Et. 5, Ap. 36 76102 Bucuresti, Sector 5	+40 (21) 410 68 46 +40 (21) 411 20 13 rohdero@rsoe.rohde-schwarz.com	Taiwan	Rohde & Schwarz Taiwan Ltd. 14F, No. 13, Sec. 2, Pei-Tou Road Taipei	+886 (2) 28 93 10 88 +886 (2) 28 91 72 60 alice.chen@rstw.rohde-schwarz.com
Russian Federation	ROHDE & SCHWARZ Representative Office Moscow 119180, Yakimanskaya nab., 2 Moscow	+7 (095) 745 88 50 to 53 +7 (095) 745 88 54 rs-russia@rsru.rohde-schwarz.com	Tanzania	SSTL Group P.O. Box 7512 Dunga Street Plot 343/345 Dar es Salaam	+255 (22) 276 00 37 +255 (22) 276 02 93 sstl@ud.co.tz
Saudi Arabia	Rohde & Schwarz Liaison Office Riyadh c/o Haji Abdullah Alireza Co. Ltd. P.O.Box 361 Riyadh 11411	+966 (1) 465 64 28 Ext. 303 +966 (1) 465 6428 Ext. 229 chris.porzky@rsd.rohde-schwarz.com	Thailand	Schmidt Electronics (Thailand) Ltd. 63 Government Housing Bank Bldg. Tower II, 19th floor, Rama 9 Rd. Huaykwang, Bangkok Bangkok 10320	+66 (2) 643 13 30 to 39 +66 (2) 643 13 40 kamthoninthuyot@schmidtthailand.com
Saudi Arabia	GENTEC Haji Abdullah Alireza & Co. Ltd. P.O.Box 43054 Riyadh	+966 (1) 465 64 28 +966 (1) 465-64 28 akanbar@gentec.com.sa	Thailand	TPP Operation Co., Ltd. 41/5 Mooban Tarinee Boromrajchonnee Road Talingchan, Bangkok 10170	+66 (2) 880 93 47 +66 (2) 880 93 47 thipsukon@tpp-operation.com
Serbia-Montenegro	Representative Office Belgrade Tose Jovanovica 7 11030 Beograd	+381 (11) 305 50 25 +381 (11) 305 50 24			
Singapore	INFOTEL TECHNOLOGIES Ltd. 19 Tai Seng Drive #02-01 HeShe Building Singapore 535227	+65 65 80 77 77 +65 62 87 65 77 general@infotel.com.sg			

Adressen/Addresses

Trinidad & Tobago	siehe / see Mexico		
Tunisia	TELETEK 71, Rue Alain Savary Residence Alain Savary (C64) 1003 Tunis		
Turkey	ROHDE & SCHWARZ International GmbH Liaison Office Istanbul Bagdad Cad. 191/3, Arda Apt. B-Blok 81030 Selamicesme-Istanbul	+90 (216) 385 19 17 +90 (216) 385 19 18 rsturk@superonline.com	
Ukraine	ROHDE & SCHWARZ Representative Office Kiev 4, Patris Loumoumba ul 01042 Kiev	+38 (044) 268 60 55 +38 (044) 268 83 64 rohdeukr@rsoe.rohde-schwarz.com	
United Arab Emirates	ROHDE & SCHWARZ International GmbH Liaison Office Abu Dhabi P.O. Box 31156 Abu Dhabi	+971 (2) 633 56 70 +971 (2) 633 56 71 michael.rogler@rsd.rohde-schwarz.com	
United Arab Emirates	ROHDE & SCHWARZ Bick Mobile Communication P.O.Box 17466 Dubai	+971 (4) 883 71 35 +971 (4) 883 71 36 www.rsbeck.de	
United Arab Emirates	ROHDE & SCHWARZ Emirates L.L.C. Ahmed Al Nasri Building, Mezzanine Floor, P.O.Box 31156 Off old Airport Road Behind new GEMACO Furniture Abu Dhabi	+971 (2) 631 20 40 +971 (2) 631 30 40 rsuaeam@emirates.net.ae	
United Kingdom	ROHDE & SCHWARZ UK Ltd. Ancells Business Park Fleet Hampshire GU 51 2UZ England	+44 (1252) 81 88 88 (sales) +44 (1252) 81 88 18 (service) +44 (1252) 81 14 47 sales@rsuk.rohde-schwarz.com	
Uruguay	AEROMARINE S.A. Cerro Largo 1497 11200 Montevideo	+598 (2) 400 39 62 +598 (2) 401 85 97 mjin@aeromarine.com.uy	
USA	ROHDE & SCHWARZ, Inc. Broadcast & Comm. Equipment (US Headquarters) 8661-A Robert Fulton Drive Columbia, MD 21046-2265	+1 (410) 910 78 00 +1 (410) 910 78 01 rsatv@rsa.rohde-schwarz.com rsacomms@rsa.rohde-schwarz.com	
USA	Rohde & Schwarz Inc. Marketing & Support Center / T&M Equipment 2540 SW Alan Blumlein Way M/S 58-925 Beaverton, OR 97077-0001	+1 (503) 627 26 84 +1 (503) 627 25 65 info@rsa.rohde-schwarz.com	
USA	Rohde & Schwarz Inc. Systems & EMI Products 8080 Tristar Drive Suite 120 Irving, Texas 75063	+1 (469) 713 53 00 +1 (469) 713 53 01 info@rsa.rohde-schwarz.com	
Venezuela	EQUILAB TELECOM C.A. Centro Seguros La Paz Piso 6, Local E-61 Ava. Francisco de Miranda Boleita, Caracas 1070	+58 (2) 12 34 46 26 +58 (2) 122 39 52 05 r_ramirez@equilabtelecom.com	
Venezuela	REPRESENTACIONES BOPIC S.A. Calle C-4 Qta. San Jose Urb. Caurimare Caracas 1061	+58 (2) 129 85 21 29 +58 (2) 129 85 39 94 incotr@cantv.net	
Vietnam	Schmidt Vietnam Co., (H.K.) Ltd., Representative Office in Hanoi Intern. Technology Centre 8/F, HITC Building 239 Xuan Thuy Road Cau Giay, Tu Liem Hanoi		+84 (4) 834 61 86 +84 (4) 834 61 88 svnhn@schmidtgroup.com
West Indies	siehe / see Mexico		

Inhaltsübersicht für die SMH-Beschreibung

Betriebshandbuch

1. Datenblatt
2. Betriebsvorbereitung und Bedienung
3. Wartung

Servicehandbuch

4. Serviceanleitung für das Gesamtgerät

5. Serviceanleitung Baugruppen	Ident-Nr.	Register
Tastatur/Anzeige	801.1366.02	1
FRN-Loop	801.3917.02	2
HF-Oszillator	801.5110.02	3
Ausgangsstufe	843.4805.02	4
Rechner	801.2410.04	5
NF-Generator	801.7312.02	6
Netzteil	801.1614.02	7
HF-Eichleitung	801.1108.02	8
Frequenzerweiterung	843.3273.02	9
Reference Oscillator, OCXO (Option SMG-B1)	802.0005.02	10
AF Synthesizer (Option SMG-B2)	802.0405.02	10
X-Ausgang (Option SMG-B3)	801.9609.02	10

Inhaltsübersicht

	Seite
4	<u>Serviceanleitung für das Gesamtgerät</u> 4.1
4.1	Funktionsbeschreibung
4.1.1	HF-Synthese
4.1.2	Pegelaufbereitung und AM
4.1.3	Frequenzmodulation
4.1.4	Modulationsgenerator
4.1.5	Steuerung
4.2	Mechanischer Aufbau
4.3	Prüfen und Abgleichen
4.3.1	Übersicht der Abgleiche am Gesamtgerät
4.3.2	Übersicht der Abgleiche bei Baugruppenwechsel
4.3.3	Ausgangspegel
4.3.4	Amplitudenmodulation
4.3.5	Frequenzmodulation
4.3.6	Referenzoszillator
4.3.7	Ansprechschwelle Überspannungsschutz
4.4	Fehlersuche
4.4.1	Selbsttest
4.4.2	Fehlersuchdiagramme
4.4.3	Tastatur/Anzeige-Fehler
4.4.4	Frequenzfehler
4.4.5	Pegelfehler
4.4.6	Oberwellen- bzw. Subharmonischenpegel zu groß
4.4.7	AM-Fehler
4.4.8	FM-Fehler
4.4.9	Rauschpegel oder Störhub zu groß
4.4.10	Diagnose
4.4.11	Spezialfunktionen für Testzwecke
4.5	Erforderliche Meßgeräte und Hilfsmittel
	Schaltteilliste
	Funktionsstromlauf
	Stromlauf
	Bestückungspläne

4.1 Funktionsbeschreibung

(Hierzu Funktionsstromlauf 845.4002 FS)

Der Signalgenerator SMH benützt die indirekte Synthese zur Erzeugung der Ausgangsfrequenz. Bei dieser Art der Synthese wird ein freilaufender Oszillator (VCO) über eine Phasenregelschleife (PLL) an eine Referenzfrequenz angebunden. Ist die Referenzfrequenz von einem Quarz abgeleitet, so erhält das Ausgangssignal die gleiche Stabilität. Der SMH enthält vier solcher Phasenregelschleifen, wobei zur HF-Synthese im unmodulierten Betrieb (CW) nur zwei Phasenregelschleifen (N,F-Loop und Hauptoszillator-Loop) benützt werden. Die weiteren Phasenregelschleifen werden zur Synchronisation des FM-Oszillators (FM-Loop) und des 50-MHz-Quarzoszillators (Referenz-Loop) bei externer Referenzfrequenz verwendet.

4.1.1 HF-Synthese

Die Grundoktave (500...1000 MHz) wird direkt durch 2 Oszillatoren in der Baugruppe "HF-Oszillator" erzeugt. Die Frequenzen von 31,25 bis 500 MHz werden durch Frequenzteilung, die Frequenzen von 1000...2000 MHz durch Verdoppeln und die Frequenzen von 0,1 bis 31,25 MHz durch Mischen in der Baugruppe "Ausgangsstufe" erzeugt. Die HF-Oszillatoren werden in einer Phasenregelschleife (Hauptoszillator-Loop) auf die 19. bis 38. Oberwelle einer 26-MHz-Referenz synchronisiert, die soweit variabel ist, daß bei der tiefsten benutzten Oberwelle der Anschluß an die nächsthöhere lückenlos möglich ist. Die Referenzfrequenz enthält die gesamte Feinauflösung des Synthesizers. Sie wird durch Teilung (1/8) der Ausgangsfrequenz (208...218,9 MHz) der Baugruppe "FRN-Loop" gewonnen.

In der Baugruppe "FRN-Loop" wird ein sogenannter Fractional-N-Teiler zur Erzeugung der Feinauflösung verwendet. Bei diesem Teiler erreicht man durch zeitweiliges Umschalten des Teilungsfaktors von N auf N+1, daß die VCO-Frequenz ein gebrochenes Vielfaches der Referenzfrequenz ist. Durch dieses Verfahren wird eine hohe Auflösung, schnelles Einschwingen und ein geringes Rauschen erreicht.

Als Referenzquelle für die HF-Synthese wird ein 50-MHz-Quarzoszillator verwendet. Von diesem Oszillator werden durch Vervielfachen bzw. Teilen die Festfrequenzen für den SMH abgeleitet. Um eine noch größere Stabilität zu erreichen, kann der 50-MHz-Quarzoszillator auf einen ofengeregelten 10-MHz-Quarzoszillator (Option SMG-B1) oder auf eine externe Referenzfrequenz (10 MHz) synchronisiert werden.

4.1.2 Pegelaufbereitung und AM

Die Soll-Hüllkurve des Ausgangssignals wird mit einer einstellbaren Gleichspannung erzeugt. Bei AM wird dieser Gleichspannung die NF überlagert. Dieser Führungswert und die gleichgerichtete Ausgangsspannung des Geräts werden einem Regelverstärker zugeführt, der das elektronische HF-Stellglied (Pinmodulator) so ansteuert, daß Soll- und Istwert übereinstimmen. Mit dieser Pegelregelschleife wird auch die Pegelfeineinstellung in 0,1-dB-Stufen erzeugt. Eine mechanische Eichleitung dämpft den Pegel in 5-dB-Stufen von 5 dB bis 135 dB.

4.1.3 Frequenzmodulation

In der Betriebsart FM wird anstatt der 50-MHz-Quarzfrequenz eine modulierte Frequenz von 50 MHz auf der Baugruppe "FRN-Loop" zuge-mischt. Die modulierte 50-MHz-Frequenz wird auf der Baugruppe "HF-Oszillator" mit der Phasenregelschleife (FM-Loop) erzeugt. Die Grenzfrequenz dieser Phasenregelschleife liegt weit unter der niedrigsten Modulationsfrequenz, damit die Modulation nicht von der Regelschleife verfälscht wird. Für den FM-DC-Betrieb wird die Phasenregelschleife aufgetrennt und eine durch einen D/A-Wandler erzeugte Abstimmspannung, die dem Wert im synchronisierten Be-trieb entspricht, auf den FM-Oszillator gegeben. Damit wird der Frequenzversatz beim Umschalten auf FM-DC gering gehalten.

4.1.4 Modulationsgenerator

Der Modulationsgenerator ist in der Baugruppe "NF-Generator" bzw. "AF Synthesizer" bei Ausrüstung mit der Option enthalten. In der Standardausführung (NF-Generator) wird zur Frequenzerzeugung ein Wien-Robinson-Oszillator verwendet. Es stehen 8 verschiedene Frequenzen zur Verfügung. In der Baugruppe "AF Synthesizer" (Option SMG-B2) ist ein digitaler Synthesizer eingebaut, dessen Frequenz von 10 Hz...100 kHz einstellbar ist.

Das Ausgangssignal des Modulationsgenerators steht auch ohne Modulation an der Gerätefrontseite zur Verfügung. Bei der Stan-dardausrüstung (NF-Generator) ist der Ausgangspegel 1 V. Bei der Option "AF Synthesizer" ist der Ausgangspegel von 1 mV...1 V ein-stellbar.

4.1.5 Steuerung

Sämtliche Einstellungen des SMH werden vom Mikroprozessor auf der Baugruppe "Rechner gesteuert. Der Mikroprozessor wartet auf eine Eingabe von der Tastatur oder von IEC-Bus. Aus den Eingaben be-rechnet er die notwendigen Einstellungen und gibt sie über den geräteinternen Datenbus an die entsprechenden Baugruppen aus.

4.2 Mechanischer Aufbau

(Hierzu die Bilder 4-1 und 4-2 im Anhang)

Das Gerät besteht aus einem Chassis, der Frontplatte und der Rückwanne. In das Chassis ist ein schwenkbarer Rahmen eingehängt, in dem die drei Baugruppen "FRN-Loop", "HF-Oszillator" und "Ausgangsstufe" steckbar eingesetzt sind. Ein Motherboard stellt alle unkritischen Verbindungen wie Stromversorgung und Datenleitungen her. Die HF-Verbindungen werden über Koax-Kabel hergestellt.

Zwischen der Frontplatte und dem Schwenkrahmen sind die Baugruppen "Rechner" und "NF-Generator" eingesteckt. Auf der rechten Seite sind die Baugruppen "Steuerplatte", "Filtermodul", "Ausgangsverstärker" und die mechanische Eichleitung befestigt. An die Frontplatte ist die Baugruppe "Tastatur/Anzeige" angeschraubt, die alle Bedien- und Anzeigeelemente enthält. Das Netzteil und der Lüfter sind an der Rückwanne befestigt.

Der Service-Kit SMH-Z1 enthält alle Teile, um die Baugruppen für Servicezwecke zugänglich zu machen.

Tabelle 4-1 Baugruppenverzeichnis

Nr.	Bezeichnung	Ident-Nr.
A1	Tastatur/Anzeige	801.1366.02
A2	FRN-Loop	801.3917.02
A3	HF-Oszillator	801.5110.02
A4	Ausgangsstufe	843.4805.02
A5	Rechner	801.2410.04
A6	NF-Generator	801.7312.02
A8	Netzteil	801.1614.02
A9	Eichleitung	801.1108.02
A10	Reference Oscillator SMG-B1	802.0005.02
A60	AF Synthesizer SMG-B2	802.0405.02
	X-Ausgang SMG-B3	801.9609.02
A100	NF-Motherboard	801.1043.02
A200	HF-Motherboard	801.1066.02
A221	Steuerplatte	843.3309.02
A230	Filtermodul	843.3550.02
A240	Ausgangsverstärker	843.3450.02

4.3 Prüfen und Abgleichen

4.3.1 Übersicht der Abgleiche am Gesamtgerät

Abgleich	Abgleichelement	Baugruppe	Abschnitt
Ausgangspegel Offset RF > 8 MHz	R30	Ausgangsverstärker Ausgangsstufe Ausgangsstufe Ausgangsstufe	4.3.3
Pegel RF > 8 MHz	R514		
Offset RF < 8 MHz	R663		
Pegel RF < 8 MHz	R641		
Amplitudenmodulation	R503	Ausgangsstufe	4.3.4
Frequenzmodulation	R202	HF-Oszillator	4.3.5
Referenzoszillator (Standard) (Option)	R542 REF. FREQ.	FRN-Loop SMG-B1	4.3.6
Überspannungsschutz	R30	Eichleitung	4.3.7

4.3.2 Übersicht der Abgleiche bei Baugruppenwechsel

Bei Wechsel der Baugruppe	Abgleich	Abschnitt
FRN-Loop	Referenzoszillator (Standard)	4.3.6
HF-Oszillator	Frequenzmodulation	4.3.5
Ausgangsstufe	Ausgangspegel	4.3.3
	Amplitudenmodulation	4.3.4
Ausgangsverstärker	Ausgangspegel	4.3.3
	Amplitudenmodulation	4.3.4
Eichleitung	Überspannungsschutz	4.3.7

4.3.3 Ausgangspegel

a) Offsetabgleich für RF > 8 MHz

- Einstellung am Gerät: RF = 100 MHz, Pegel = 13 dBm
- Kalibrierten Leistungsmesser an den HF-Ausgang anschließen
- Spezialfunktion 53 einschalten und den Pegel notieren.
- Spezialfunktion 54 einschalten und mit dem Trimmer R30 auf der Baugruppe Ausgangsverstärker eine Dämpfung von 25 dB $\pm 0,2$ dB einstellen.

b) Pegelabgleich für RF > 8 MHz

- Einstellung am Gerät: RF = 100 MHz, Pegel = 0 dBm
- Mit Trimmer R514 auf der Baugruppe Ausgangsstufe den Pegel auf 0 dBm $\pm 0,1$ dB einstellen.

c) Offsetabgleich für RF < 8 MHz

- Einstellung am Gerät: RF = 7,9 MHz, Pegel = 13 dBm
- Spezialfunktion 53 einschalten und den Pegel notieren.
- Spezialfunktion 54 einschalten und mit dem Trimmer R663 auf der Baugruppe Ausgangsstufe eine Dämpfung von 25 dB $\pm 0,2$ dB einstellen.

d) Pegelabgleich für RF < 8 MHz

- Einstellung am Gerät: Pegel = 0 dBm
- Pegel bei RF = 8 MHz messen und bei 7,999 MHz mit R641 auf der Baugruppe Ausgangsstufe den gleichen Wert ($\pm 0,1$ dB) einstellen.

4.3.4 Amplitudenmodulation

- Am SMH 100 MHz, 0 dBm und 80 % AM ($f_{\text{mod}} = 1$ kHz) einstellen.
- Modulationsanalysator an den HF-Ausgang anschließen.
- Mit dem Trimmer R503 auf der Ausgangsstufe den Modulationsgrad auf 80 % ± 1 % einstellen.

4.3.5 Frequenzmodulation

- Baugruppe "Ausgangsstufe" herausziehen.
- Am SMH 800 MHz und eine Frequenzmodulation von 400 kHz Hub ($f_{\text{mod}} = 1$ kHz) einstellen.
- Modulationsanalysator an X308 der Baugruppe "HF-Oszillator" anschließen.
- Mit dem Trimmer R202 auf der Baugruppe "HF-Oszillator" den Hub auf 400 kHz ± 2 kHz einstellen.
- Baugruppe "Ausgangsstufe" wieder einbauen.

4.3.6 Referenzoszillator

a) Standardausführung

- Gerät eine Stunde warmlaufen lassen.
- Kalibrierten Frequenzzähler an Buchse "REF.FREQ." (Rückwanne) anschließen.
- Mit Trimmer R542 auf der Baugruppe "FRN-Loop" die Frequenz auf 10 MHz ± 5 Hz abgleichen.

b) mit Option SMG-B1 Referenzoszillator OCXO

- Gerät 15 Minuten warmlaufen lassen.
- Kalibrierten Frequenzzähler an Buchse "REF.FREQ." (Rückwanne) anschließen.
- Mit Trimmer REF.FREQ. (Rückwanne) die Frequenz auf 10 MHz $\pm 0,5$ Hz einstellen.

4.3.7 Ansprechschwelle Überspannungsschutz

- Am SMH einen Pegel von -122 dBm einstellen.
- Mit einem Leistungsmeßsender eine Frequenz von 25 MHz in den HF-Ausgang des SMH einspeisen.
- Trimmer R30 auf der Eichleitungsansteuerung so einstellen, daß der Überspannungsschutz bei einer eingespeisten HF-Leistung von +27 dBm gerade anspricht.

4.4 Fehlersuche

4.4.1 Selbsttest

Während des Betriebs werden die wichtigsten Gerätefunktionen wie Frequenzerzeugung und Pegelregelung automatisch überwacht. Wird ein Fehler festgestellt, erfolgt eine Anzeige durch das Blinken der Status-LED und durch eine Service-Request-Meldung. Der Statuscode zur Identifizierung des Fehlers wird durch Drücken der STATUS-Taste im Modulations-Display zur Anzeige gebracht.

Die Fehlermeldungen bedeuten:

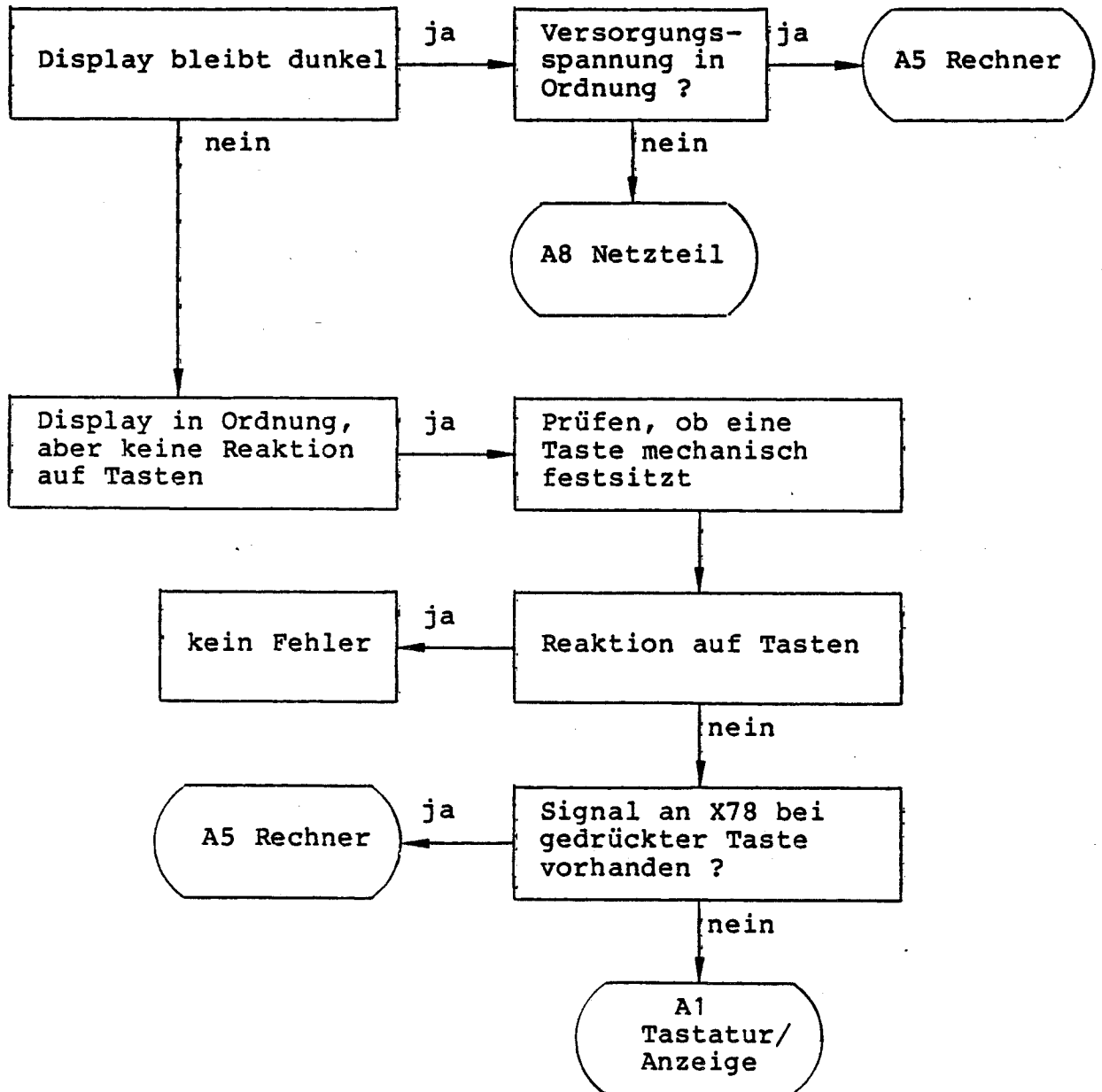
- Err 0: kein Fehler
- Err 1: Referenzloop außer Synchronisation
- Err 2: Summenloop außer Synchronisation
- Err 3: FM-Loop außer Synchronisation
- Err 4: Hauptoszillatorloop außer Synchronisation
- Err 5: Pegelregelung außer Funktion
- Err 6: Batteriespannung zu gering
- Err 7: ROM-Datenfehler
- Err 8: RAM-Datenfehler
- Err 9: Externe Überspannung am RF-Ausgang

Weitere Fehlermeldungen siehe Tabelle "Statuscodes von Fehlern" im Bedienhandbuch.

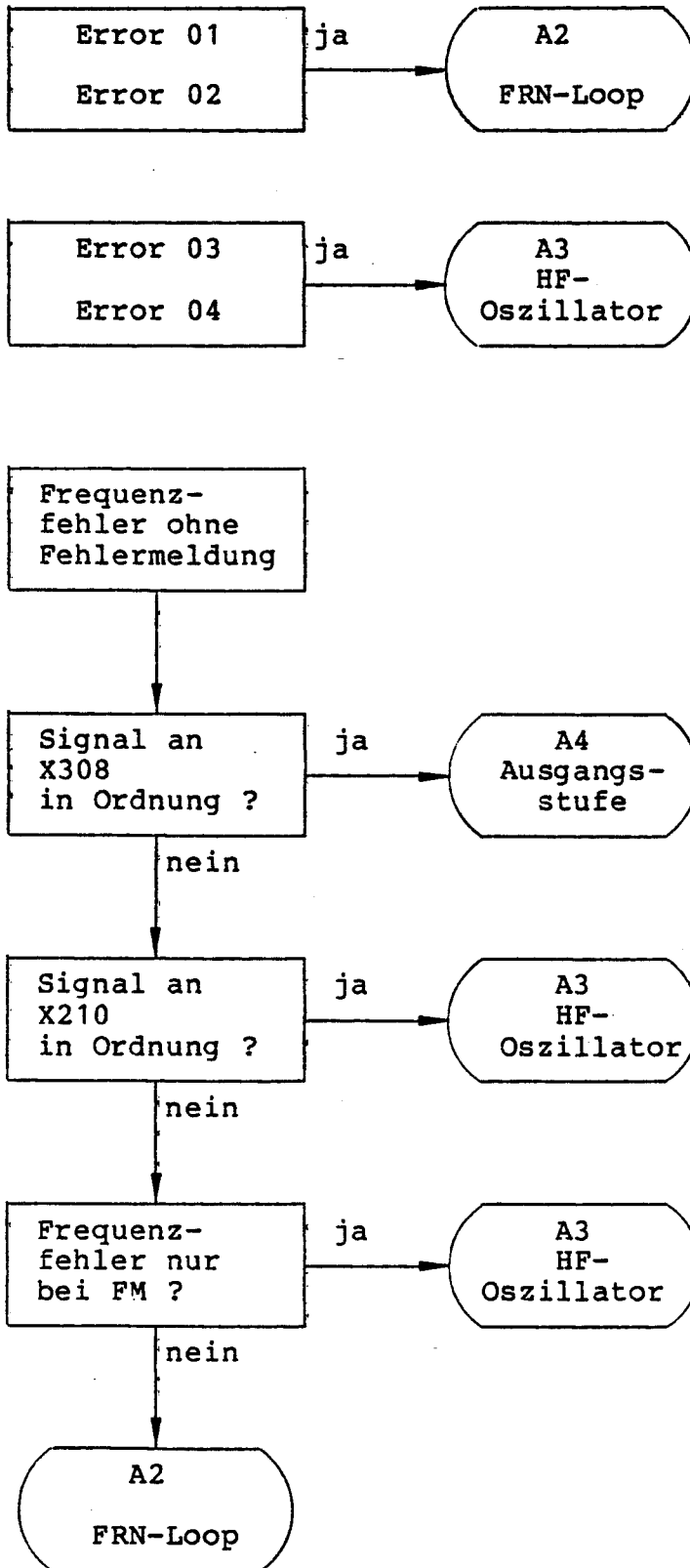
4.4.2 Fehlersuchdiagramme

Die folgenden Flußdiagramme sollen die Fehlersuche bis zur einzelnen Baugruppe erleichtern, wenn der Fehler nicht mit dem Selbsttest oder der internen Diagnose festgestellt werden kann. Zur Fehlersuche in den einzelnen Baugruppen siehe Teil 5, Baugruppenbeschreibungen. Es wird vorausgesetzt, daß alle Versorgungsspannungen den richtigen Wert aufweisen.

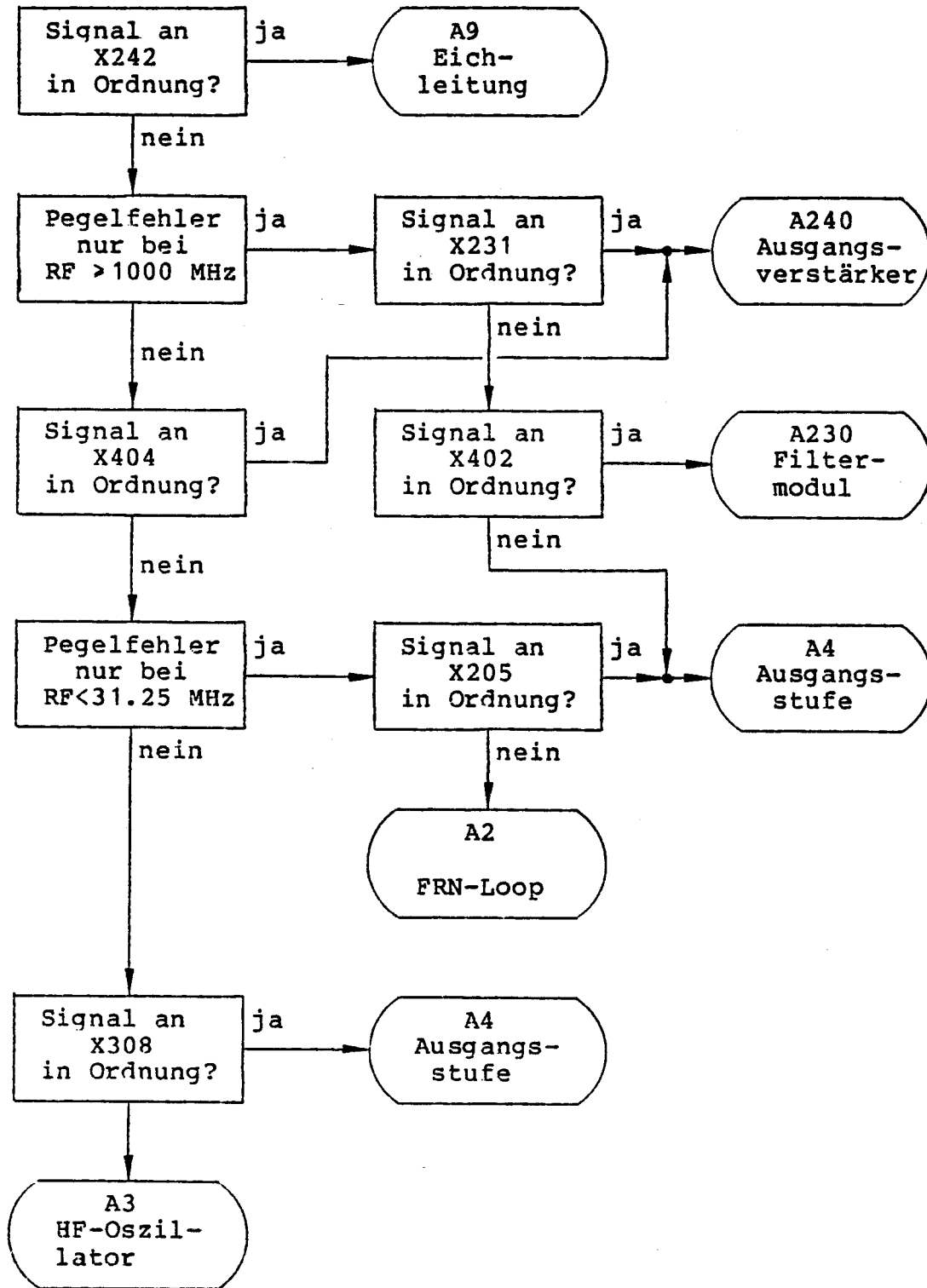
4.4.3 Tastatur/Anzeige-Fehler



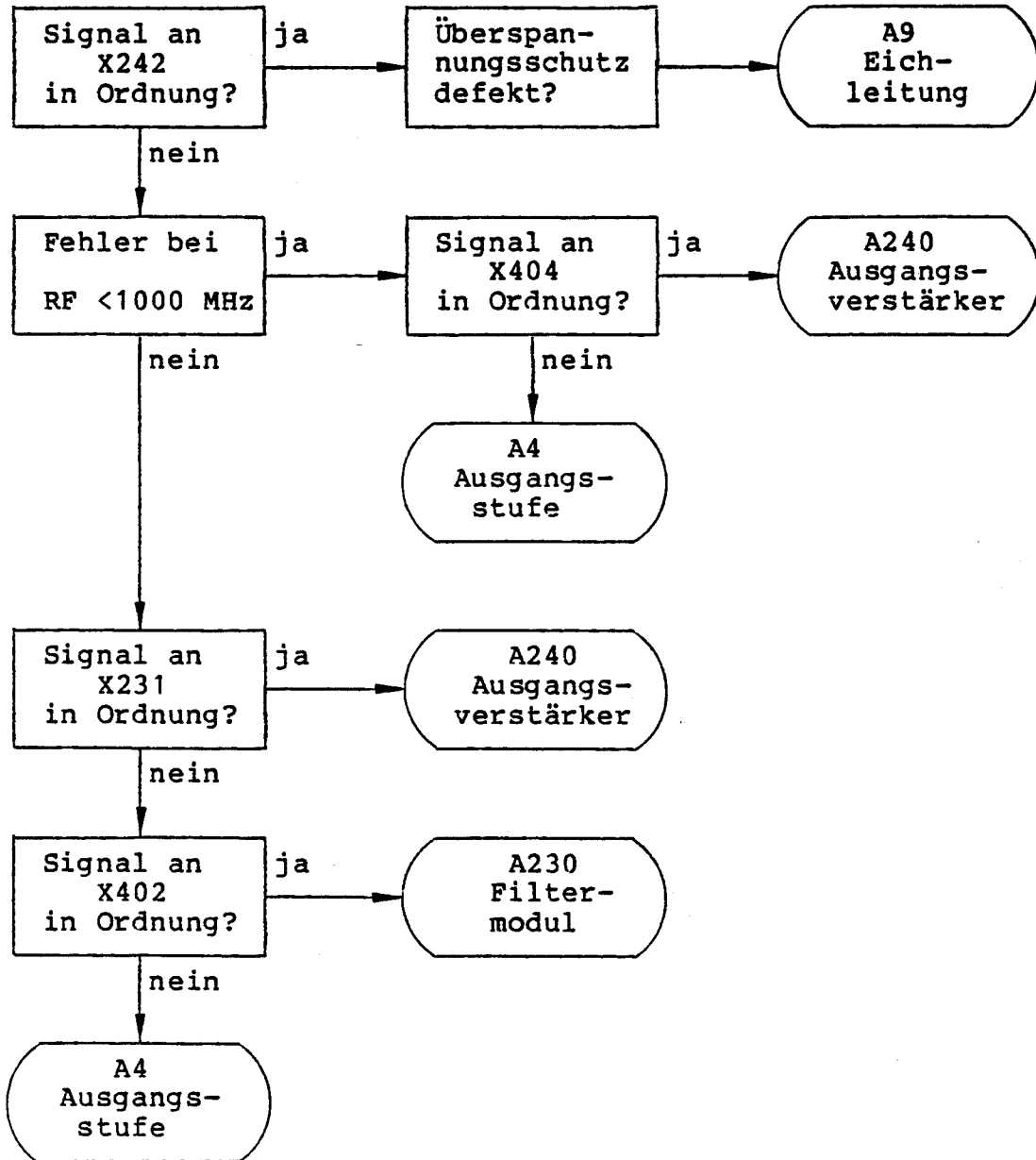
4.4.4 Frequenzfehler



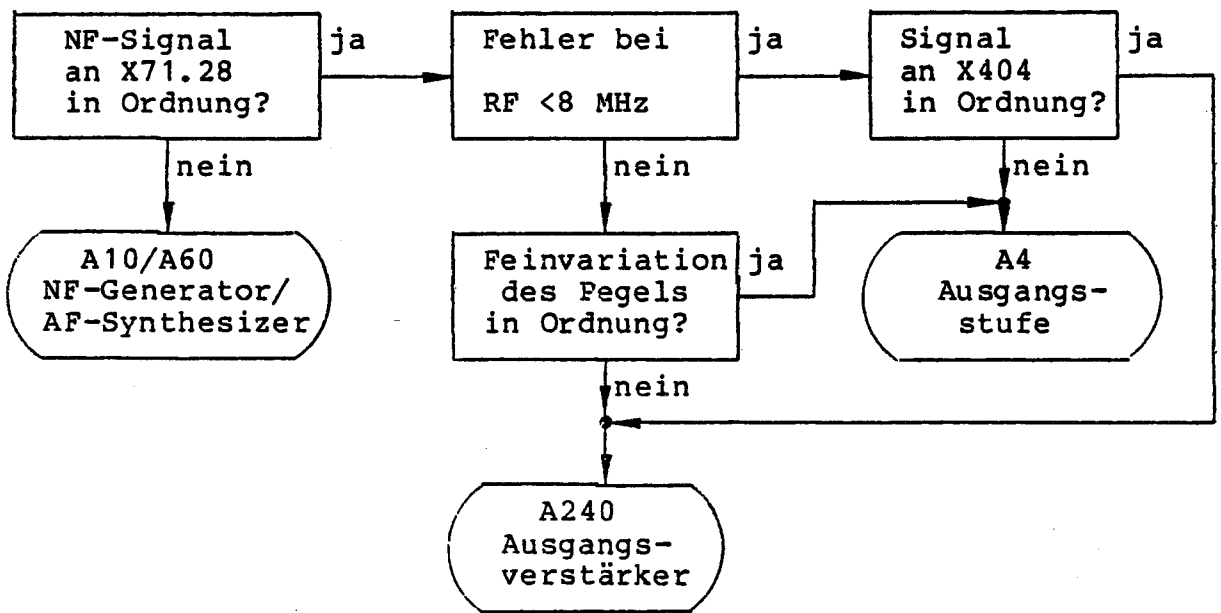
4.4.5 Pegelfehler



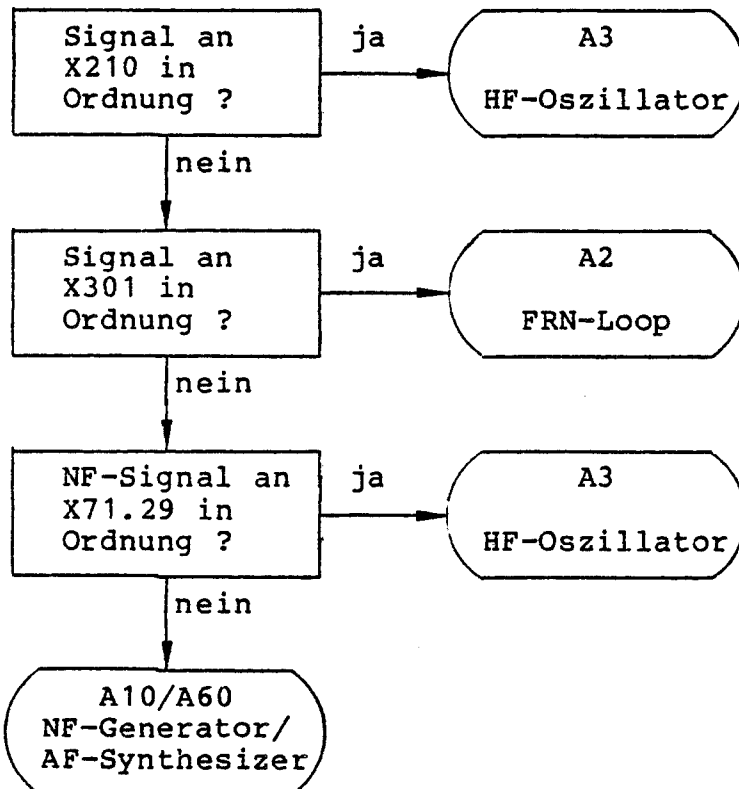
4.4.6 Oberwellen- bzw. Subharmonischenpegel zu groß



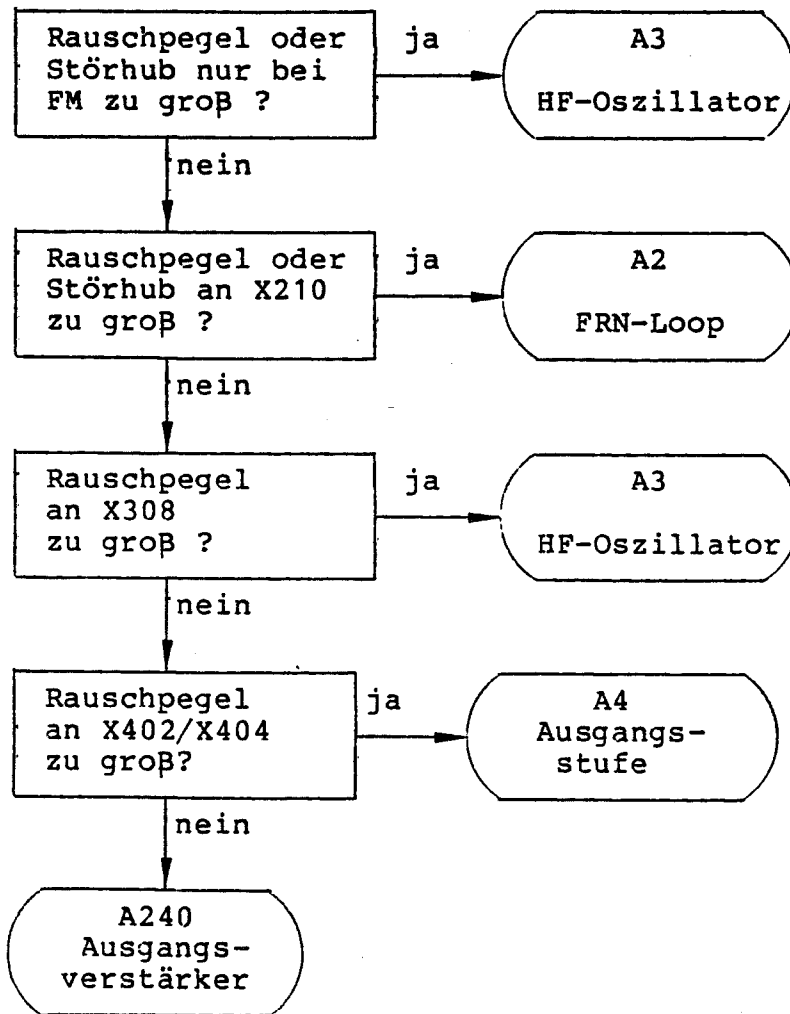
4.4.7 AM-Fehler



4.4.8 FM-Fehler



4.4.9 Rauschpegel oder Störhub zu groß



4.4.10 Diagnose

Neben dem Selbsttest, der permanent die wichtigsten Gerätefunktionen überwacht, können vom Benutzer ohne Öffnen des Gerätes und ohne externe Meßmittel die Spannungswerte von 34 internen Meßstellen abgefragt werden. Die Spannungswerte werden im Amplituden-Display angezeigt oder können über den IEC-Bus ausgelesen werden. Dieser Test, der alle wesentlichen internen Signalpegel, Abstimm- und Regelspannungen beinhaltet, liefert eine umfassende Information über den Gerätezustand.

Die Testpunkte werden mit den Spezialfunktionen Code 101 bis 137 eingeschaltet und mit dem allen Testpunkten gemeinsamen Code 100 ausgeschaltet (siehe Tabelle 4-2).

Beispiele		a) Einschalten des Meßpunkts 23		DATA			ENTER/UNITS
		PARAMETER					
a)	SHIFT <input type="text"/>	<input type="checkbox"/> SPECIAL		<input type="text" value="1"/>	<input type="text" value="2"/>	<input type="text" value="3"/>	<input type="text"/>
b)	SHIFT <input type="text"/>	<input type="checkbox"/> SPECIAL		<input type="text" value="1"/>	<input type="text" value="0"/>	<input type="text" value="0"/>	<input type="text"/>

Anzeige: Im linken Teil des Amplituden-Displays wird der Spannungswert der Meßstelle und im rechten Teil die Nummer des Meßpunktes angezeigt.

Tabelle 4-2 Diagnosetestpunkte

Testpunkt Nr.	Einschaltcode der Spezialfunktion "Testspannung"	Baugruppe	Bezeichnung	Sollwert
-	100	-	Ausschalten der Meßpunkte	-
1	101	Rechner	Versorgungsspannung +24 V	24 V \pm 0,5 V
2	102	Rechner	Versorgungsspannung +15 V	15 V \pm 0,5 V
3	103	Rechner	Versorgungsspannung -15 V	-15 V \pm 0,5 V
4	104	Rechner	Batteriespannung	3...4 V
5	105	HF-Oszillator	Regelschleifenüberwachung Loop OK	<1 V
6	106	NF-Generator/ AF-Synthesizer	Pegelüberwachung des Modulations- eingangs AM EXT	2,57...2,68 V
7	107	NF-Generator/ AF-Synthesizer	Pegelüberwachung des Modulations- eingangs FM/QM EXT	2,57...2,68 V
8	108	Eichleitung	Eichleitungstestpunkt	0...2 V
9	109	FRN-Loop	Regelschleifenüberwachung der Baugruppe	>3 V
10	110	FRN-Loop	Abstimmspannung der Referenz-Loop	1...16,7 V
11	111	FRN-Loop	Versorgungsspannung +4,9 V	4,9 V \pm 0,2 V
12	112	FRN-Loop	Ausgangspegel (X210) 208...219 MHz	0,2...0,5 V
13	113	Ref. Osz. OCXO	Überwachung des Thermostats	ca. 6 V
14	114	FRN-Loop	Oszillatorpegel (VCO 158...169 MHz)	0,2...0,6 V
15	115	FRN-Loop	Pegel des 50-MHz-Quarzoszillators	6,5...8,2 V
16	116	FRN-Loop	Abstimmspannung der N,F-Loop Ausgangsfrequenz (520...545,9 MHz)	1...20 V
17	117	HF-Oszillator	Ausgangspegel (X308) (500...1000 MHz)	>0,2 V
18	118	HF-Oszillator	50-MHz-Signal (X11)	>0,8 V
19	119	HF-Oszillator	Pegel der 50-kHz-Referenz (X303)	>1 V
20	120	HF-Oszillator	Abstimmspannung der HF-Oszillatoren	1...20 V
21	121	HF-Oszillator	Abstimmspannung der FM-Loop	2...13 V
22	122	HF-Oszillator	Out of Lock (Hauptoszillator-Loop)	<1 V
23	123	HF-Oszillator	Versorgungsspannung +15 V	15 V \pm 0,5 V
24	124	HF-Oszillator	Regelschleifenüberwachung der Baugruppe	>3 V
28	128	Ausgangsstufe	Regelspannung der Pegelregelung (X24)	0...-6 V
29	129	Ausgangsstufe	HF-Gleichrichter $f \geq 8$ MHz	0...4 V
30	130	Ausgangsstufe	HF-Gleichrichter $f < 8$ MHz (P35)	0...4 V
31	131	Ausgangsstufe	HF-Pegel an Meßpunkt P24	0,1...0,5 V
32	132	Ausgangsstufe	Führungswert der Pegelregelung (P28)	0...-4 V
33	133	AF-Generator	Pegel des NF-Generators	0,4...0,5 V
34	134	AF-Synthesizer	Pegel des Quarzoszillators	1 V \pm 0,3 V
35	135	AF-Synthesizer	Pegel des NF-Synthesizers	1 V \pm 0,3 V
36	136	AF-Synthesizer	Versorgungsspannung +5 V	4,8...5,3 V
37	137	X-Ausgang	Spannung am Ausgang "X-Axis"	0...10 V

4.4.11 Spezialfunktionen für Testzwecke

Diese Spezialfunktionen sind für Servicearbeiten am Gerät vorgesehen. Sie werden über Codes (Dateneingabe) ein- und ausgeschaltet (siehe auch Kapitel 2 im Bedienhandbuch).

Tabelle 4-3

Spezialfunktion	Code
Diagnosespannung des Meßpunktes 108 mit 0,1 mV Auflösung messen	35
Diagnosespannung mit 1 mV Auflösung messen	36
Überwachungsschaltung der PLL's abschalten	37
Überwachungsschaltung der PLL's aktivieren	38
Phasenkontinuierlichen Einstellmodus für die RF abschalten	45
Phasenkontinuierlichen Einstellmodus für die RF einschalten	46
Anzeige der Ausgangsfrequenz "FRN-Loop" *)	51
Anzeige der Ausgangsfrequenz "HF-Oszillator" *)	52
Unterbrechungsfreie Pegeleinstellung auf 0 dB setzen	53
Unterbrechungsfreie Pegeleinstellung auf 25 dB setzen	54
Display-Test *)	55
PROM-Test	56
RAM-Test	57

*) Anzeige erscheint so lange, wie eine der vier Einheitentasten gedrückt wird.

4.5 Erforderliche Meßgeräte und Hilfsmittel

Pos. Nr.	Gerät	erforderliche Eigenschaften	R&S-Gerät Bestellnr.	Anwendung Abschnitt
1	Frequenz-zähler	Bereich 10 Hz...2000 MHz Auflösung 1 Hz		4.3.6
2	Leistungs-messer	Bereich 0,1...2000 MHz Leistung bis 20 mW, Z = 50 Ω , Fehler <0,1 dB, Auflösung <0,02 dB		4.3.3
3	Modula-tions-analysator	Frequenzbereich bis 1360 MHz, AM, FM, ϕ M, Fehler <1 %	FAM 334.2015.53 FAM-B2 334.4918.02 FAM-B8 334.5714.02	4.3.4 4.3.5
4	Leistungs-meßsender	Pegel 30 dBm bis 1 GHz	SMLU 200.1009.03	4.3.7
5	Oszillo-skop	DC...30 MHz	BOP 374.0020.02	5



ROHDE & SCHWARZ

Measuring Instruments
and Systems Division

Service Manual

SIGNAL GENERATOR

SMH

845.4002.52

Printed in the Federal
Republic of Germany

Contents of SMH Manual

Operating Manual

1. Data Sheet
2. Preparation for Use and Operating Instructions
3. Maintenance

Service Manual

4. Service Manual for Complete Instrument
5. Service Instructions for the Individual PC Boards

	Order No.	Index
Keyboard/Display	801.1366.02	1
FRN Loop	801.3917.02	2
RF Oscillator	801.5110.02	3
Output Stage	843.4805.02	4
Processor	801.2410.04	5
AF Generator	801.7312.02	6
Power Pack	801.1614.02	7
RF Attenuation Set	801.1108.02	8
Frequency Extension	843.3273.02	9
Reference Oscillator, OCXO (Option SMG-B1)	802.0005.02	10
AF Synthesizer (Option SMG-B2)	802.0405.02	10
X Output (Option SMG-B3)	801.9609.02	10

Table of Contents

	Page
4	<u>Service Manual for Complete Instrument</u> 4.1
4.1	Function Description 4.1
4.1.1	RF Synthesis 4.1
4.1.2	Level Conditioning and AM 4.2
4.1.3	Frequency Modulation 4.2
4.1.4	Modulation Generator 4.2
4.1.5	Controller 4.2
4.2	Mechanical Design 4.3
4.3	Checking and Adjustments 4.4
4.3.1	Summary of Adjustments on Complete Instrument 4.4
4.3.2	Summary of Adjustments Following Module Replacement 4.4
4.3.3	Output Level 4.5
4.3.4	Amplitude Modulation 4.5
4.3.5	Frequency Modulation 4.5
4.3.6	Reference Oscillator 4.6
4.3.7	Response Threshold of Overvoltage Protection 4.6
4.4	Troubleshooting 4.7
4.4.1	Self-test 4.7
4.4.2	Troubleshooting Diagrams 4.7
4.4.3	Keyboard/Display Errors 4.8
4.4.4	Frequency Errors 4.9
4.4.5	Level Errors 4.10
4.4.6	Harmonics Level or Subharmonics Level Too Large . . 4.11
4.4.7	AM Errors 4.12
4.4.8	FM Errors 4.12
4.4.9	Noise Level or Spurious FM Too Large 4.13
4.4.10	Diagnostic Test 4.14
4.4.11	Special Functions for Testing 4.16
4.5	Measuring Instruments and Aids Required 4.17
	Component lists
	Complete circuit diagram
	Circuit diagram
	Component layout diagrams

4.1 Function Description

(See complete circuit diagram 845.4002 FS)

The Signal Generator SMH uses indirect synthesis to generate the output frequency. With this type of synthesis, a voltage controlled oscillator is linked to a reference frequency via a phase locked loop. If the reference frequency is derived from a crystal, the output signal has the same stability. The SMH contains four such phase locked loops, and only two loops (fractional-N control loop and main oscillator loop) are used for RF synthesis in unmodulated mode (CW). The other phase locked loops are used to synchronize the FM oscillator (FM loop) and the 50-MHz crystal oscillator (reference loop) with an external reference frequency.

4.1.1 RF Synthesis

The fundamental octave (500 to 1000 MHz) is generated by two oscillators in the RF oscillator module. The frequencies from 31.25 to 500 MHz are generated by frequency division, the frequencies from 1000 to 2000 MHz by doubling and the frequencies from 0.1 to 31.25 MHz by mixing in the output stage module. The RF oscillators are synchronized in the phase controlled loop (main oscillator loop) with the 19th to 38th harmonics of a 26-MHz reference which can be adjusted such that the changeover from the lowest harmonic used to the next higher harmonic is continuous. The reference frequency contains the complete fine resolution of the synthesizer. This is obtained by dividing (1:8) the output frequency (208 to 218.9 MHz) on the FRN loop module.

A so-called fractional-N divider is used in the FRN loop module to generate the fine resolution. Occasional switching of the division factor from N to N+1 means that the VCO frequency is a fractional multiple of the reference frequency. This method results in high resolution, fast settling and low noise.

A 50-MHz crystal oscillator is used as the reference for the RF synthesis. The fixed frequencies for the SMH are derived from this oscillator by multiplication or division. In order to achieve an even greater stability, the 50-MHz crystal oscillator can be synchronized to a thermostat-controlled 10-MHz crystal oscillator (option SMG-B1) or an external reference frequency (10 MHz).

4.1.2 Level Conditioning and AM

The reference envelope curve of the output signal is generated using an adjustable DC voltage. In the case of AM, the AF is superimposed on this DC voltage. This command value and the rectified output voltage of the instrument are connected to a control amplifier which drives the electronic RF control element (pin modulator) until the reference value and the actual value agree. Fine level adjustment in steps of 0.1 dB is also enabled using this level control loop. A mechanical attenuation set is used to attenuate the level in 5-dB steps from 5 dB up to 135 dB.

4.1.3 Frequency Modulation

In FM mode, a modulated frequency of 50 MHz is mixed in on the FRN loop module instead of the 50-MHz crystal frequency. The modulated 50-MHz frequency is generated on the RF oscillator module using the phased locked loop (FM loop). The cut-off frequency of this PLL is much lower than the lowest modulation frequency so that the modulation is not falsified by the loop. The PLL is opened for FM DC mode and a tuning voltage generated by a D/A converter corresponding to the value in synchronized mode is applied to the FM oscillator. This results in a low frequency offset when switching to FM DC.

4.1.4 Modulation Generator

The modulation generator is included if the AF generator module or AF synthesizer module is fitted. A Wien-Robinson oscillator is used in the standard design (AF generator) for frequency generation. Eight different frequencies are produced. A digital synthesizer is fitted in the AF synthesizer module (option SMG-B2) whose frequency is adjustable from 10 Hz to 100 kHz.

The output signal of the modulation generator is also available on the front panel without modulation. The output level is 1 V with the standard equipment (AF generator). The output level is adjustable from 1 mV to 1 V with the AF synthesizer option.

4.1.5 Controller

All SMH settings are controlled by the microprocessor on the controller module. The microprocessor waits for inputs from the keyboard or IEC bus. It calculates the required settings from the inputs and outputs them to the corresponding modules via the internal data bus.

4.2 Mechanical Design

(See Figs. 4-1 and 4-2 in the Appendix)

The instrument consists of a chassis, the front panel and the rear panel. A pivotable frame is fitted into the chassis into which the three modules "FRN loop", "RF oscillator" and "output stage" are plugged in. All non-critical connections such as the power supply and data lines are made by a motherboard. The RF connections are made using coaxial cables.

The controller and AF generator modules are inserted between the front panel and the pivotable frame. The modules "control board", "filter module", "output amplifier" and the mechanical attenuation set are fixed on the right. The keyboard/display module containing all controls and displays is screwed onto the front panel. The power pack and the ventilator are mounted on the rear panel.

The Service Kit SMH-Z1 contains all parts required to access the modules for servicing.

Table 4-1 List of modules

No.	Designation	Identification No.
A1	Keyboard/display	801.1366.02
A2	FRN loop	801.3917.02
A3	RF oscillator	801.5110.02
A4	Output stage	843.4805.02
A5	Controller	801.2410.04
A6	AF generator	801.7312.02
A8	Power pack	801.1614.02
A9	Attenuation set	801.1108.02
A10	Reference oscillator SMG-B1	802.0005.02
A60	AF synthesizer SMG-B2	802.0405.02
	X output SMG-B3	801.9609.02
A100	AF motherboard	801.1043.02
A200	RF motherboard	801.1066.02
A221	Control board	843.3309.02
A230	Filter module	843.3550.02
A240	Output amplifier	843.3450.02

4.3 Checking and Adjustments

4.3.1 Summary of Adjustments on Complete Instrument

Adjustment	Trimmer	Module	Section
Output level Offset RF >8 MHz Level RF >8 MHz Offset RF <8 MHz Level RF <8 MHz	R30 R514 R663 R641	Output amplifier Output stage Output stage Output stage	4.3.3
Amplitude modulation	R503	Output stage	4.3.4
Frequency modulation	R202	RF oscillator	4.3.5
Reference oscillator (Standard) (Option)	R542 REF. FREQ.	FRN loop SMG-B1	4.3.6
Overvoltage protection	R30	Attenuation set	4.3.7

4.3.2 Summary of Adjustments Following Module Replacement

Following replacement of module	Adjustment	Section
FRN loop	Reference oscillator (standard)	4.3.6
RF oscillator	Frequency modulation	4.3.5
Output stage	Output level Amplitude modulation	4.3.3 4.3.4
Output amplifier	Output level Amplitude modulation	4.3.3 4.3.4
Attenuation set	Overvoltage protection	4.3.7

4.3.3 Output Level

a) Offset adjustment for RF >8 MHz

- SMH setting: RF = 100 MHz, level = 13 dBm
- Connect calibrated power meter to RF output.
- Switch on special function 53 and note the level
- Switch on special function 54 and set an attenuation of 25 dB \pm 0.2 dB using trimmer R30 on the output amplifier.

b) Level adjustment for RF >8 MHz

- SMH setting: RF = 100 MHz, level = 0 dBm
- Set the level to 0 dBm \pm 0.1 dB using trimmer R115 on the output stage.

c) Offset adjustment for RF <8 MHz

- SMH setting: RF = 7.9 MHz, level = 13 dBm
- Switch on special function 53 and note the level.
- Switch on special function 54 and set an attenuation of 25 dB \pm 0.2 dB using trimmer R663 on the output stage.

d) Level adjustment for RF <8 MHz

- SMH setting: Level = 0 dBm
- Measure level at RF = 8 MHz and adjust to the same value (\pm 0.1 dB) at 7.999 MHz using R64 on the output stage.

4.3.4 Amplitude Modulation

- Set 100 MHz, 0 dBm and 80 % AM ($f_{\text{mod}} = 1$ kHz) on the SMH.
- Connect modulation analyzer to RF output.
- Adjust the modulation depth to 80 % \pm 1 % using trimmer R503 on the output stage.

4.3.5 Frequency Modulation

- Remove output stage module.
- Set 800 MHz and a frequency modulation of 400 kHz deviation ($f_{\text{mod}} = 1$ kHz) on the SMH.
- Connect modulation analyzer to X308 of RF oscillator module.
- Adjust the deviation to 400 kHz \pm 2 kHz using trimmer R202 on the RF oscillator module.
- Insert the output stage module again.

4.3.6 Reference Oscillator

a) Standard design

- Allow instrument to warm up for one hour.
- Connect calibrated frequency meter to connector "REF.FREQ." (rear panel).
- Adjust the frequency to 10 MHz \pm 5 Hz using trimmer R542 on the FRN loop module.

b) With reference oscillator option OCXO, SMG-B1

- Allow instrument to warm up for 15 minutes.
- Connect calibrated frequency meter to connector "REF.FREQ." (rear panel).
- Adjust the frequency to 10 MHz \pm 0.5 Hz using trimmer REF.FREQ. (rear panel).

4.3.7 Response Threshold of Overvoltage Protection

- Set a level of -122 dBm on the SMH.
- Apply a frequency of 25 MHz to the RF output of the SMH using a power signal generator.
- Adjust trimmer R30 on the attenuation set such that the overvoltage protection just responds when an RF power of +27 dBm is applied.

4.4 Troubleshooting

4.4.1 Self-test

The most important instrument functions such as frequency generation and level control are automatically monitored during operation. Errors are indicated by flashing of the status LED and by a Service Request message. The status code identifying the error can be output on the modulation display by pressing the STATUS key.

The error messages are defined as follows:

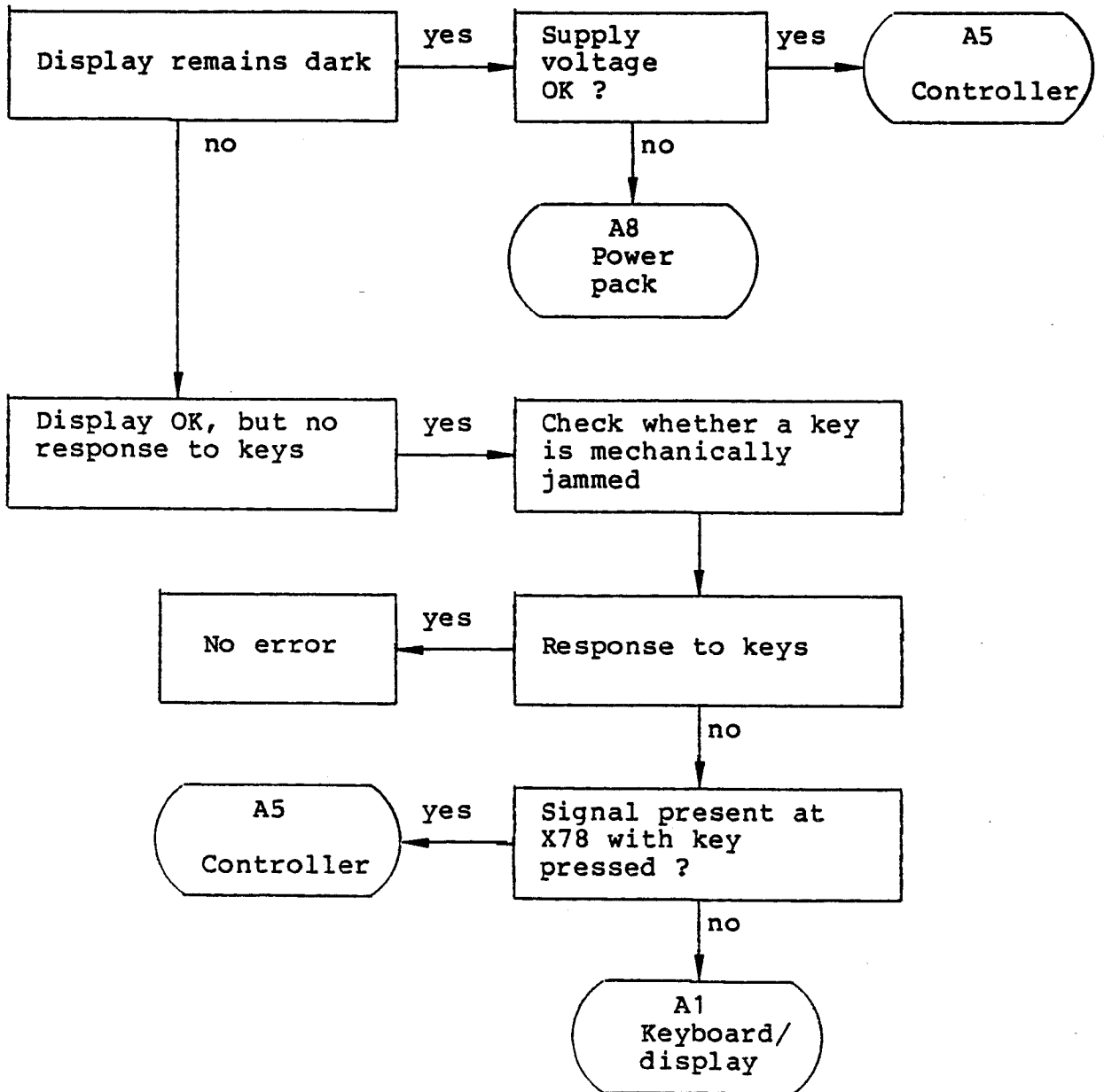
Err 0: no error
Err 1: reference loop not in synchronization
Err 2: sum loop not in synchronization
Err 3: FM loop not in synchronization
Err 4: main oscillator loop not in synchronization
Err 5: Level control not in function
Err 6: Battery voltage too low
Err 7: ROM data error
Err 8: RAM data error
Err 9: External overvoltage at RF output

For further error messages, see Table "Status codes of errors" in the operating manual.

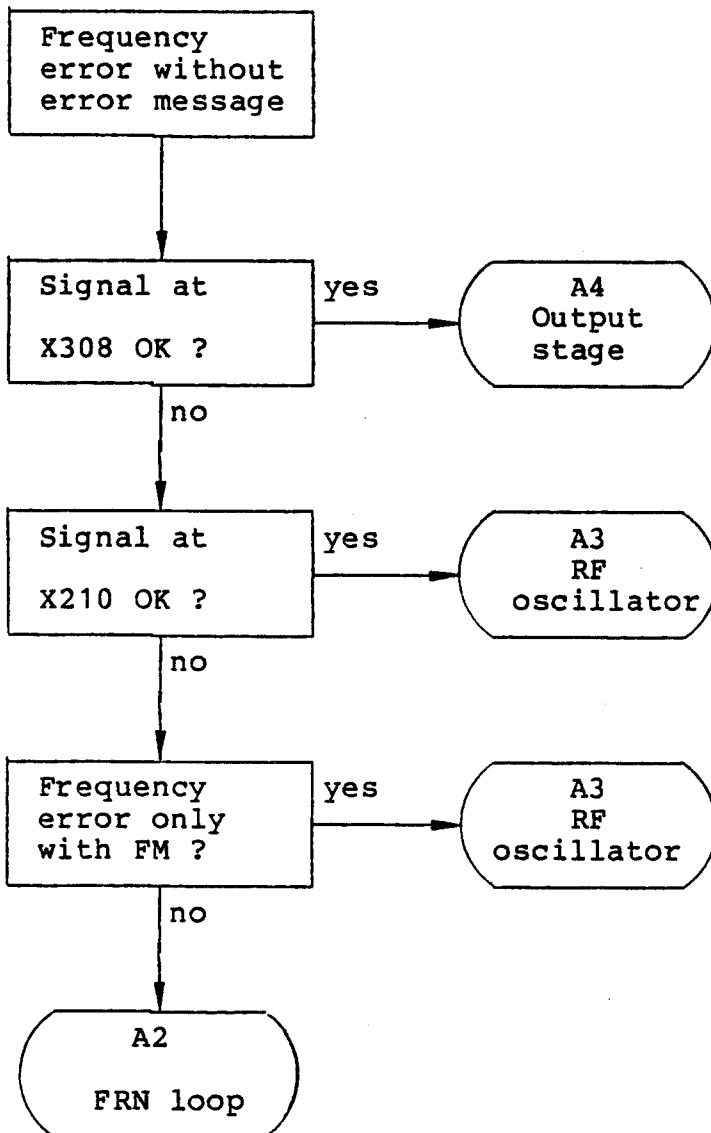
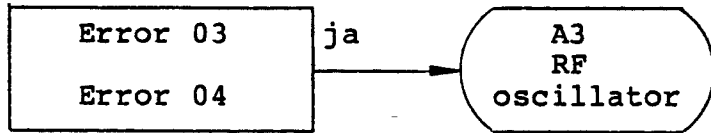
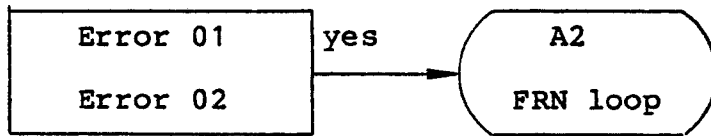
4.4.2 Troubleshooting Diagrams

The following flowcharts serve to locate the faulty module if the error cannot be determined by the self-test or the internal diagnostic routines. See Section 5, Module Descriptions, for troubleshooting in the individual modules. It is assumed that all supply voltage have the correct value.

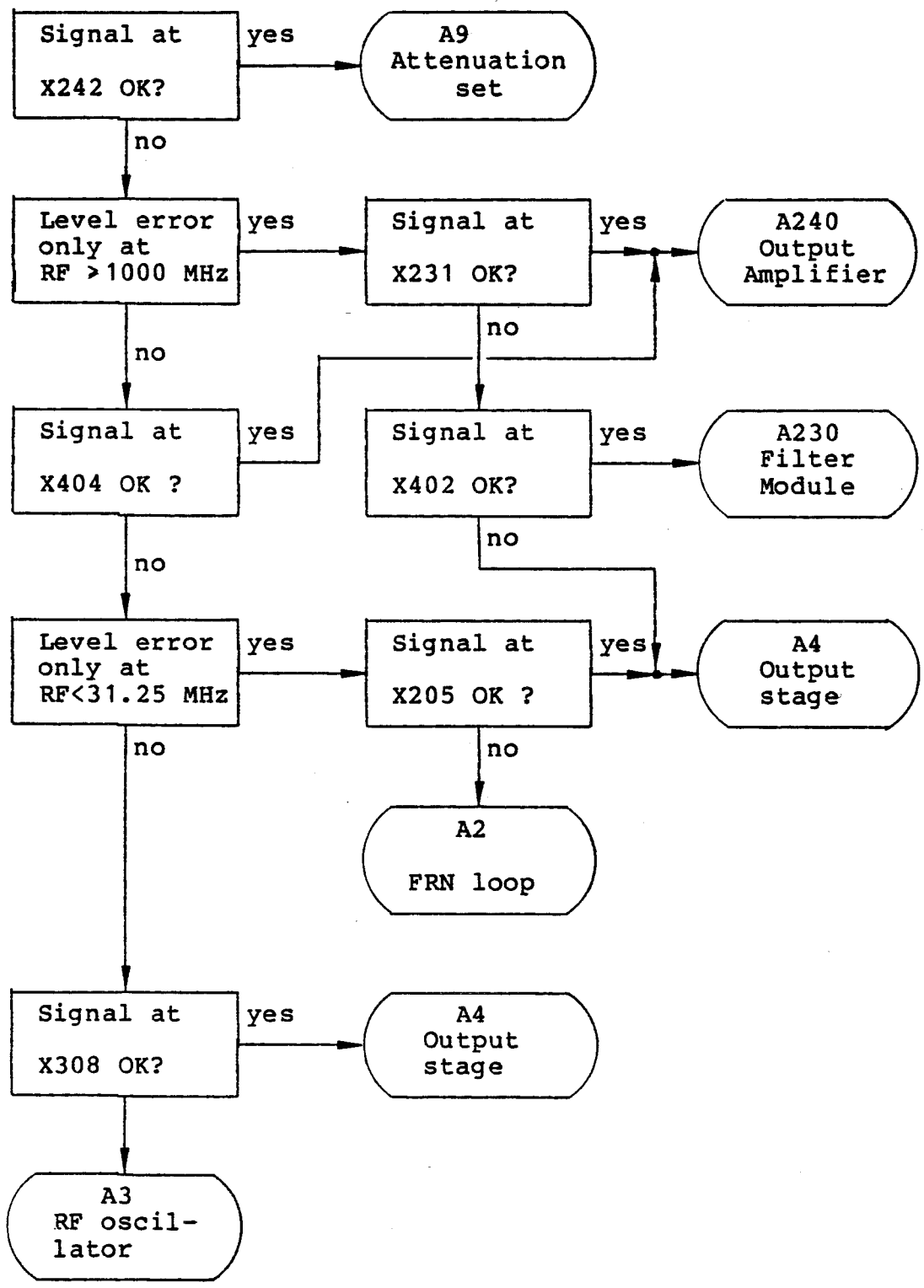
4.4.3 Keyboard/Display Errors



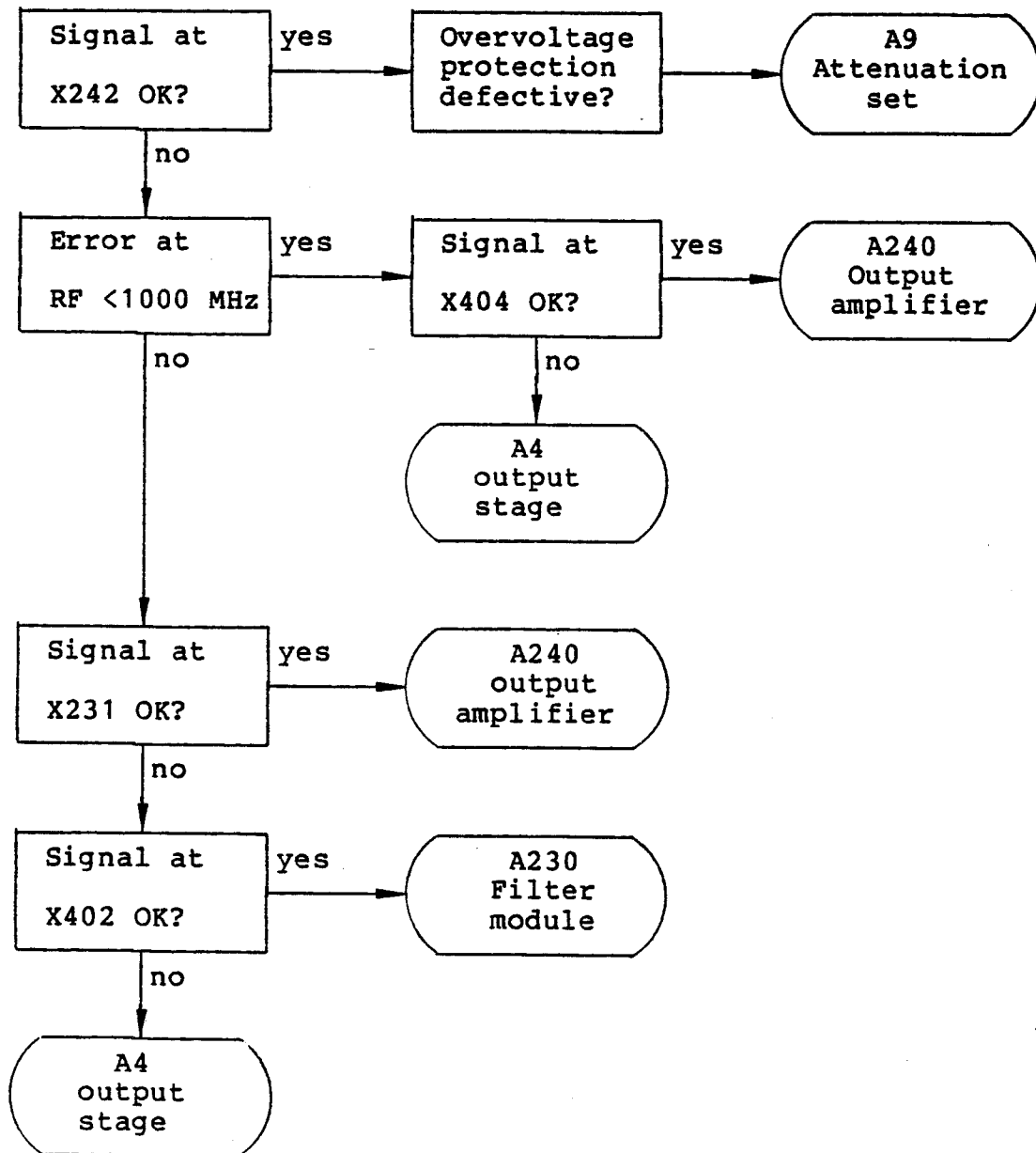
4.4.4 Frequency Errors



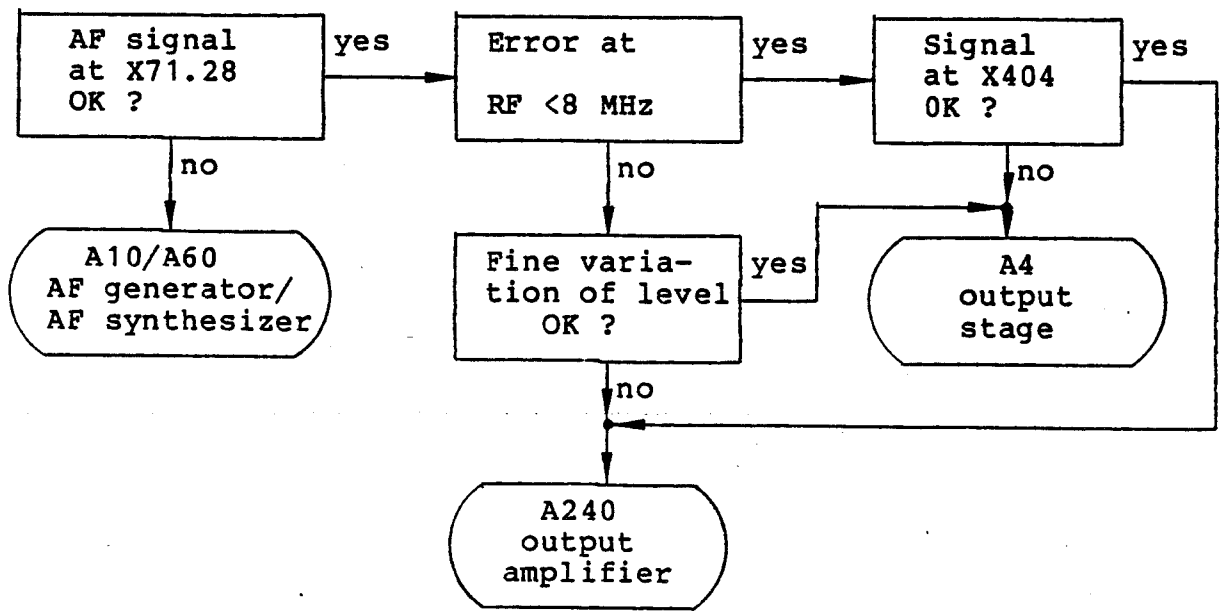
4.4.5 Level Errors



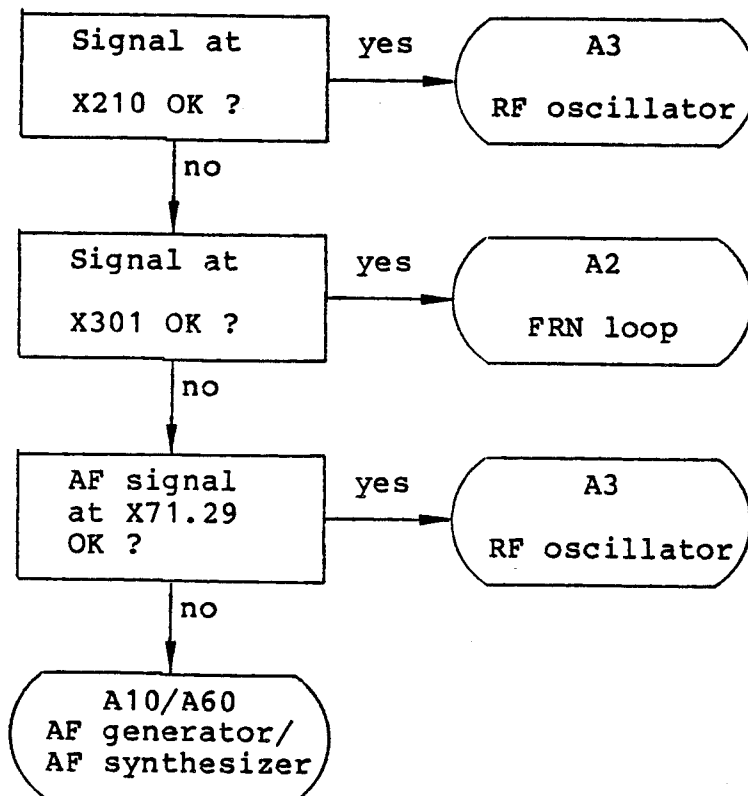
4.4.6 Harmonics or Subharmonics Level Too Large



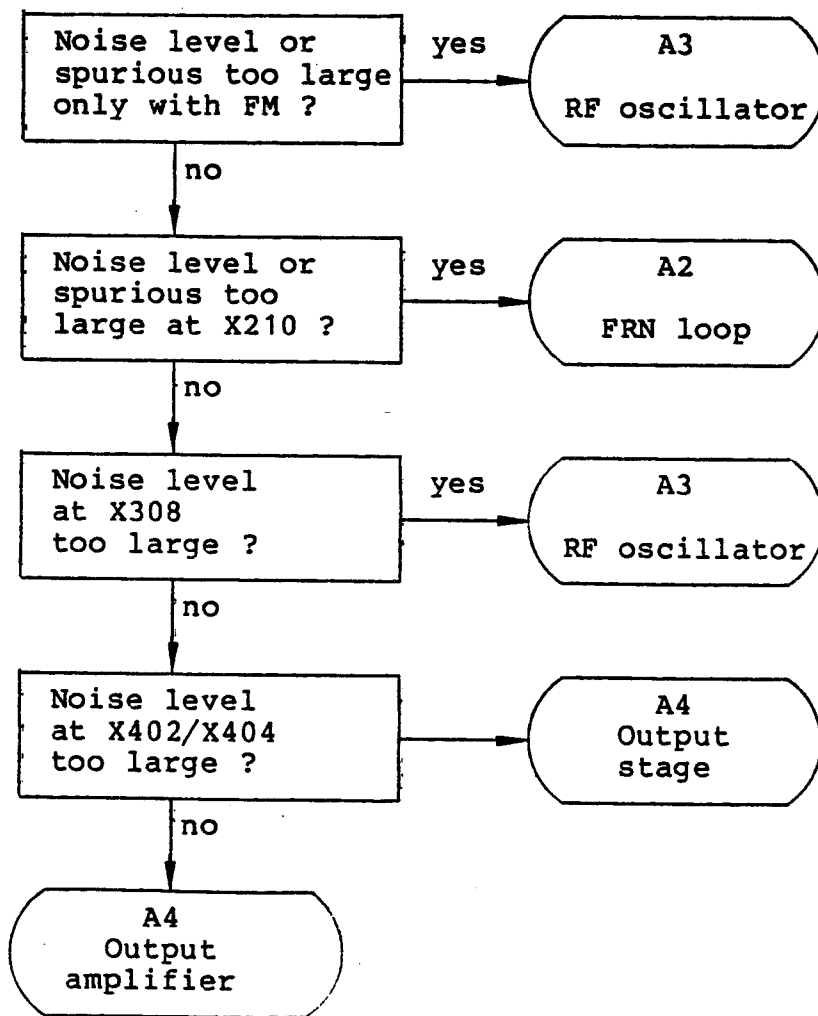
4.4.7 AM Errors



4.4.8 FM Errors



4.4.9 Noise Level or Spurious FM Too Large



4.4.10 Diagnostic Test

In addition to the self-test permanently monitoring the most important instrument functions, the user can call up the voltage values of 34 internal test points without opening the instrument and without using external measuring devices. The voltage values are output in the amplitude display or can be read out via the IEC bus. This test, which includes all essential internal signal levels, tuning voltages and control voltages, provides comprehensive information on the state of the instrument.

The test points are switched on using the special functions code 101 to 137 and switched off with code 100 common to all test points (see Table 4-2).

Examples		a) Switching on the test point 23					
		b) Switching off the test point					
		PARAMETER		DATA		ENTER/UNITS	
a)	SHIFT <input type="text"/>	<input type="checkbox"/> SPECIAL		<input type="text" value="1"/>	<input type="text" value="2"/>	<input type="text" value="3"/>	<input type="text"/>
b)	SHIFT <input type="text"/>	<input type="checkbox"/> SPECIAL		<input type="text" value="1"/>	<input type="text" value="0"/>	<input type="text" value="0"/>	<input type="text"/>

Display: The voltage value of the test point is output in the left-hand section of the amplitude display, the number of the test point is output in the right-hand section.

Table 4-2 Diagnostic test points

Test point No.	Switch-on code of special function "Test voltage"	Module	Designation	Rated value
-	100	-	Switching off the test points	-
1	101	Processor	Supply voltage +24 V	24 V \pm 0.5 V
2	102	Processor	Supply voltage +15 V	15 V \pm 0.5 V
3	103	Processor	Supply voltage -15 V	-15 V \pm 0.5 V
4	104	Processor	Battery voltage	3 to 4 V
5	105	RF oscillator	Monitoring of control loop Loop OK	<1 V
6	106	AF generator/ AF synthesizer	Level monitoring of modulation input AM EXT	2.57 to 2.68 V
7	107	AF generator/ AF synthesizer	Level monitoring of modulation input FM/AM EXT	2.57 to 2.68 V
8	108	Attenuation set	Attenuation set test point	0 to 2 V
9	109	FRN loop	Monitoring of control loop of module	>3 V
10	110	FRN loop	Tuning voltage of reference loop	1 to 16.7 V
11	111	FRN loop	Supply voltage +4.9 V	4.9 V \pm 0.2 V
12	112	FRN loop	Output level (X210) 208 to 219 MHz	0.2 to 0.5 V
13	113	Ref. Osc. OCXO	Monitoring of thermostat	approx. 6 V
14	114	FRN loop	Oscillator level (VCO 158 to 169 MHz)	0.2 to 0.6 V
15	115	FRN loop	Level of 50-MHz crystal oscillator	6.5 to 8.2 V
16	116	FRN loop	Tuning voltage of fractional-N control loop	1 to 20 V
17	117	RF oscillator	Output frequency (520 to 545.9 MHz)	
18	118	RF oscillator	Output level (X308) (500 to 1000 MHz)	>0.2 V
19	119	RF oscillator	50-MHz signal (X11)	>0.8 V
20	120	RF oscillator	Level of 50-kHz reference (X303)	>1 V
21	121	RF oscillator	Tuning voltage of RF oscillators	1 to 20 V
22	122	RF oscillator	Tuning voltage of FM loop	2 to 13 V
23	123	RF oscillator	Out of Lock (main oscillator loop)	<1 V
24	124	RF oscillator	Supply voltage +15 V	15 V \pm 0.5 V
			Monitoring of control loop of module	>3 V
28	128	Output stage	Control voltage of level control (X24)	0 to -6 V
29	129	Output stage	RF rectifier f >8 MHz	0 to 4 V
30	130	Output stage	RF rectifier f <8 MHz (P35)	0 to 4 V
31	131	Output stage	RF level at test point P24	0.1 to 0.5 V
32	132	Output stage	Command value of level control (P28)	0 to -4 V
33	133	AF generator	Level of AF generator	0.4 to 0.5 V
34	134	AF synthesizer	Level of crystal oscillator	1 V \pm 0.3 V
35	135	AF synthesizer	Level of AF synthesizer	1 V \pm 0.3 V
36	136	AF synthesizer	Supply voltage +5 V	4.8 to 5.3 V
37	137	X output	Voltage at output "X-Axis"	0 to 10 V

4.4.11 Special Functions for Testing

These special functions are intended to be used for servicing of the instrument. They are switched on and off using codes (data entry) (see also Section 2 in the operating manual).

Table 4-3

Special function	Code
Measure diagnostic voltage of test point 108 with a resolution of 0.1 mV	35
Measure diagnostic voltage with a resolution of 1 mV	36
Switch off monitoring circuit of PLLs	37
Activate monitoring circuit of PLLs	38
Switch off phase-continuous setting mode for the RF	45
Activate phase-continuous setting mode for the RF	46
Display of output frequency "FRN loop" *)	51
Display of output frequency "RF oscillator" *)	52
Set non-interrupting level setting to 0 dB	53
Set non-interrupting level setting to 25 dB	54
Display test *)	55
PROM test	56
RAM test	57

*) is displayed as long as one of the four unit keys is pressed.

4.5 Measuring Instruments and Aids Required

Item	Instrument	Required specifications	R&S inst. Order No.	Use described in section
1	Frequency meter	Range 10 Hz to 2000 MHz Resolution 1 Hz		4.3.6
2	Power meter	Range 0.1 to 2000 MHz Power up to 20 mW, Z = 50 Ω , error <0.1 dB, Resolution <0.02 dB		4.3.3
3	Modulation analyzer	Frequency range up to 1360 MHz, AM, FM, ϕ M, error <1 %	FAM 334.2015.53 FAM-B2 334.4918.02 FAM-B8 334.5714.02	4.3.4 4.3.5
4	Power signal generator	Level 30 dBm to 1 GHz	SMLU 200.1009.03	4.3.7
5	Oscilloscope	DC up to 30 MHz	BOP 374.0020.02	5



ROHDE & SCHWARZ

Liste mechanischer Teile

List of mechanical parts

Bilder zur Liste mechanischer Teile

Figures pertaining to list of mechanical parts

Liste zu den Bildern 4-1 und 4-2

List for Figs 4-1 and 4-2

Lfd. Nr.	Kennzeichen	Menge	Benennung/Beschreibung	Sachnummer
No.	Unit/Comp.No	Qty	Designation	Stock No.
1		1	MZ Haube oben 3E 1/1 T460 Panelling, top	396.3473
		60 mm	WW Klebeband Adhesive strip	290.5115
2		1	MZ Haube unten 3E 1/1 T460 Panelling, bottom	396.3780
3		1	ZM Frontrahmen 3E 1/1 Front frame	396.2119
4		2	MF Seitenleiste T460 Side strip	396.3080
		4	VS M3x6 DIN 965 A4	VS 081.9378
5		1	MF Führungsschiene, rechts Guide rail, right	396.4757
6		1	MF Führungsschiene, links Guide rail, left	396.4763
7		2	MF Bedienhinweiskarte User's guide	845.4219 845.4225
8		4,56 m	WG HF-Dichtprofil RF seal	396.1035
9		1	Führungskragen Guide frame	396.0897
10		1	KB Beschriftungsplatte R&S für VAR 52 Identification plate R&S for model 52	843.3980
		2	VS M1,6x3 DIN 965 A4	VS 078.3795
		4	VS Scheibe Washer	396.5518
		4	VS M3x8 DIN 965 A4	VS 081.9384

Lfd. Nr.	Kennzeichen	Menge	Benennung/Beschreibung	Sachnummer
No.	Unit/Comp.No	Qty	Designation	Stock No.
11		1	MZ Frontplatte Front panel	801.1343
		6	VS M2x16 DIN 965 A4	VS 081.9290
12	A1	1	ED Tastatur/Anzeige Keyboard/display	801.1366.02
13		1	ZM Frontwinkel Mounting bracket	801.1295
		4	VS M3x8 DIN 965 A4	VS 081.9384
14	X2 X3 X4	3	FJ Einbaubuchse Syst. BNC Panel mounting socket BNC	FJ 017.6607
	W9	1	DX Kabel W9 Cable	801.7593
15		3	VL Lötöse Solder tag	VL 035.0813
16	W1	1	DX HF-Kabel W1 RF cable	801.7635
17		1	ZM Schirmwand Screening panel	801.0499
		5	EK Federstreifen Contact spring strip	032.5120
		5	VS M2,5x6 DIN 965 A4	VS 088.0101
20		2	MF Gerätefuß, vorne Foot, front	396.4534
21		2	MF Aufstellfuß, unten Swinging foot, bottom	396.4540
22		2	ZM Gerätefuß, hinten Foot, rear	396.4586

Lfd. Nr.	Kennzeichen	Menge	Benennung/Beschreibung	Sachnummer
No.	Unit/Comp.No	Qty	Designation	Stock No.
24		2	MF Abdeckung, Leerseite Cover piece	396.3344
25		2	MF Abdeckung, Griffseite Cover piece	396.3338
26		1	ZM Tragegriff T460 Carrying handle	396.3221
27		2	MR Griffbuchse Handle fixings	396.3321
		2	VS M4x10 DIN 965 A4	VS 081.9478
30		1	OK Drehknopf m. Mulde Rotary knob	078.1192
33		4	MF Seitenfuß Foot, side	396.4692
34		2	MF Stapelnutabdeckung Stacking-slot cover	396.4728
40		1	ZM Schaltstange Power-switch push rod	801.0647
42	S1	1	SB Schaltnetz 2a o. Knopf Power switch	SB 020.5495
		1	SB Haube Protective cover	SB 250.3692
		2	VS M2,5x4 DIN 7985 A4	VS 088.0024
43		4	MG Rahmenschiene T460 Frame guide	396.2377
		2	VS Einpreßmutter M2,5 Nut	VS 542.4073
		2	KZ Schiebemutter M3 Nut	KZ 079.0525
		16	VS M3x8 DIN 965 A4	VS 081.9384

Lfd. Nr.	Kennzeichen	Menge	Benennung/Beschreibung	Sachnummer
No.	Unit/Comp.No	Qty	Designation	Stock No.
44		1	ZM Rückrahmen 3E 1/1 Rear frame	396.2254
45		1	MZ Schwenkrahmenriegel Locking device	801.0753
		2	VS M2,5x8 DIN 7985 A4	VS 088.0047
46		2	MB Angel Pivot	801.0660
47		1	VS M2,5x5 DIN 7985 A4	VS 088.1543
		1	VS 2,7 DIN 433 A4	VS 088.8890
48		1	VS M2,5x4 DIN 7985 A4	VS 088.0024
		1	VS 2,7 DIN 9021 A4	VS 031.5179
49		1	ZM Wand Panel	801.0547
		6	VS M3x8 DIN 965 A4	VS 081.9384
		90 mm	WT Kantenschutz Edge protector	WT 001.9499
50	A9	1	ZE Eichleitung Attenuator	801.1108
51		1	ZM Bügel Frame	801.0601
52		4	VS M2,5x5 DIN 7985 A4	VS 088.1543
		4	VS 2,6 DIN 137 A2	VS 005.0280

Lfd. Nr.	Kennzeichen	Menge	Benennung/Beschreibung	Sachnummer
No.	Unit/Comp.No	Qty	Designation	Stock No.
53		3	VN 4x6 DIN 7340	VN 031.2805
		3	VS 4,3 DIN 125 A4	VS 082.4686
		3	VS M3x10 DIN 7985 A4	VS 081.9084
54	W15	1	DX HF-Kabel RF cable	843.3409
56		1	ZM Rechnerwinkel Bracket	801.0676
		2	VS M2,5x5 DIN 7985 A4	VS 088.1543
57		2	VS M2,5x12 DIN 7985 A4	VS 088.0060
		2	VS 2,7 DIN 433 A4	VS 088.8890
60	A100	1	ED NF-Motherboard AF motherboard	801.1043.02
		6	VS M2,5x5 DIN 7985 A4	VS 088.1543
		6	VS 2,6 DIN 137 A2	VS 005.0280
61		1	MZ Isolierplatte Insulating plate	801.1037
		2	DZ Kabelbinder Cable clamp	DZ 015.9038
63	A5	1	ED Rechner Processor	801.2410.04
64	A6	1	ED NF-Generator AF generator	801.7312.02

Lfd. Nr.	Kennzeichen	Menge	Benennung/Beschreibung	Sachnummer
No.	Unit/Comp.No	Qty	Designation	Stock No.
65		1	ZM Schwenkrahmen Swinging frame	801.0724
		14	VS Setzmutter M3 Nut	VS 088.6680
66		4	VS Einpreßmutter M2,5 Nut	VS 249.9961
		4	MH Abstandsrohr Spacer	MH 290.8189
67		6	KM Führungsleiste, grau Guide rail, grey	396.7427
		6	MZ Massefeder 4E Ground contact	396.7233
		12	VS M3x6 DIN 965 A4	VS 081.9378
68		1	MZ Bügel Frame	801.0730
		4	VS Setzmutter M3 Nut	VS 088.6680
69	A200	1	ED HF-Motherboard RF motherboard	801.1066.02
		4	VS M2,5x12 DIN 7985 A4	VS 088.0060
		4	VS 2,6 DIN 137 A2	VS 005.0280
70	A2	1	ED FRN-Loop FRN loop	801.3917.02
71	A3	1	ED HF-Oszillator RF oscillator	801.5110.02
72	A4	1	ED Ausgangsstufe Output stage	843.3015.02
		1	OS Klebeschild Adhesive label	801.7664

Lfd. Nr.	Kennzeichen	Menge	Benennung/Beschreibung	Sachnummer
No.	Unit/Comp.No	Qty	Designation	Stock No.
74		2	MZ Leiterplattenhalter PCB holder	801.0760
		4	VS M3x8 DIN 7985 A4	VS 081.9078
		4	VS 3 DIN 137 A2	VS 005.0296
		4	VS 3,2 DIN 125 A4	VS 082.4670
76		1	MZ Winkel Bracket	801.0747
		2	VS M3x6 DIN 7985 A4	VS 081.9061
77		4	VS M3x6 DIN 965 A4	VS 081.9378
80		1	ZM Buchsenhalter Connector support	801.1643
		1	MP Verschlußstopfen Plug	483.1490
		3	MP Abdeckkappe Plug	570.5187
81	W10	1	DX Kabel W10 Cable	801.7606
		1	DZ Kabelbinder Cable clamp	DZ 015.9038
82	W11	1	DX Kabel W11 Cable	801.7612
83		4	VS M3x8 DIN 965 A4	VS 081.9384
85		2	MF Mutter für Rückrahmen Nut	396.3167
		2	VS M3x10 DIN 965 A4	VS 081.9390

Lfd. Nr.	Kennzeichen	Menge	Benennung/Beschreibung	Sachnummer
No.	Unit/Comp.No	Qty	Designation	Stock No.
87		1	ZM Rückwandfuß rechts 3E Rear-panel foot, right	396.4128
		1	ZM Rückwandfuß links 3E Rear-panel foot, left	396.4334
88		1	ZM Rückwand Rear panel	801.1620
		5	VS M3x8 DIN 7985 A4	VS 081.9078
		1	VS M3x12 DIN 7985 A4	VS 081.9090
		6	VS 3 DIN 137 A2	VS 005.0296
		6	VS 3,2 DIN 125 A4	VS 082.4670
		1	OS Schild Made in Germany Label	OS 042.4985
		1	OS FNR.-Schild für VAR 52 FNR label for model 52	801.0218

Lfd. Nr.	Kennzeichen	Menge	Benennung/Beschreibung	Sachnummer
No.	Unit/Comp.No	Qty	Designation	Stock No.
90	Z1	1	FN Netzfilter m. Spannungsw. Chassis power plug with filter and voltage selector	FN 099.3313
	F1	1	SS Schmelz. T1,6D DIN 41571 Fuse für/for 220 V/240 V	SS 020.7500
		1	SS Schmelz. T2,0D DIN 41571 Fuse für/for 100 V/120 V	SS 020.7546
		2	VS M3x10 DIN 965 A4	VS 081.9390
		2	VS 3 DIN 137 A2	VS 005.0296
		2	VS M3 DIN 934 A4	VS 016.4398
	91		1	MF Kühlprofil Heat sink
1			VS M3x10 DIN 7985 A4	VS 081.9084
93		1	LT Ringkerntrafo Torroidal transformer	801.1920
		1	MF Topf Pot	801.1943
		1	MB Säule Pillar	801.1966
		1	MB Gewindestange Threaded rod	801.1972
		1	VS 5,3 DIN 125 A4	VS 082.4692
		2	VS 5 DIN 137 A2	VS 005.0321
		2	VS M5 DIN 934 A4	VS 016.4417

Lfd. Nr.	Kennzeichen	Menge	Benennung/Beschreibung	Sachnummer	
No.	Unit/Comp.No	Qty	Designation	Stock No.	
93		4	FV Flachsteckhülse 2,8 Flat connector, recepticle	FV 279.2165	
		4	FV Schutzülle Cover	FV 279.1681	
		1	FV Flachsteckhülse 6,3 Flat connector, recepticle	FV 518.2280	
		9	FP Buchsenkontakt Insert contact, female	343.4946	
		3	FP Kupplungsgehäuse Shell	520.5831	
	S2	1	ST Öffner Thermostat	377.3994	
		100 g	WH Harz Resin	WH 453.3466	
		10 g	WH Härter Hardener	WH 453.3472	
	95		1	MZ Schirmdeckel Screen	801.1989
			1	MB Isoliertülle Insulator	801.1995
97	E1	1	ZM Lüftereinheit Blower	801.1708	
98		4	VS M2,5x10 DIN 7985 A4	VS 088.0053	
		4	VS 2,7 DIN 125 A4	VS 082.4663	
		4	VS 2,8 DIN 6797 A2	VS 016.2814	

Lfd. Nr.	Kennzeichen	Menge	Benennung/Beschreibung	Sachnummer
No.	Unit/Comp.No	Qty	Designation	Stock No.
99		1	FV Flachstecker 6,3 Flat connector, blade	FV 543.6705
		1	VS M4x8 DIN 7985 A4	VS 081.9178
		1	VS 4,3 DIN 6797 A2	VS 016.2837
		1	VS M4 DIN 934 A4	VS 016.4400
		1	OS Schild Schutzzeichen Safety label	OS 042.5330
100		1	ED Netzteil Power supply	801.1666.02
		2	VS M2,5x10 DIN 7985 A4	VS 088.0053
		4	VS M2,5x6 DIN 7985 A4	VS 088.0030
		6	VS 2,6 DIN 137 A2	VS 005.0280
101		1	Versteifungsplatte Reinforcing plate	801.0599
102		1	Versteifungswinkel Reinforcing angle	801.0582
110		1	2GHz-Erweiterung 2-GHz extension	843.3273.02



ROHDE & SCHWARZ

Schalteillisten

Stromläufe

Bestückungspläne

Part lists

Circuit diagrams

Components plans

Listes des pièces détachées

Schémas de Circuit

Plans des composants

R&S-Schlüsselliste

R&S key list

Liste des symboles de référence R&S

Die R&S-Schaltteillisten nennen in der Spalte "Benennung/Beschreibung" die technischen Daten der Bauelemente in Kurzform. Die Art des Bauelements (z.B. Schicht-, Draht-Widerstand usw.) beschreiben die 2 Kennbuchstaben vor der "Benennung" (evtl. auch vor der "Sachnummer"), die nachfolgend erklärt werden. In Ersatzteil-Bestellungen an R&S ist stets die Angabe der vollständigen Sachnummer erforderlich.

The R&S Parts Lists give the technical data of the components in short form in the column "Benennung/Beschreibung" (designation). The type of component (e.g. depos.-carbon resistor, wire-wound resistor etc.) is indicated by 2 identification letters before the designation, possibly also before the "Sachnummer" (order number), which are explained below. When ordering spare parts from R&S, the complete order number must always be specified.

La colonne «Désignation/description» des listes de pièces de R&S indique les caractéristiques des éléments sous forme abrégée. Le type d'élément (p.ex. résistance à couche, résistance bobinée etc. . . .) est décrit par les deux lettres précédant la désignation (et éventuellement le numéro de référence), dont voici l'explication. Prière d'indiquer le numéro de référence («Sachnummer») complet dans toute commande de pièces de rechange.

Teilefamilie	Art des Bauelementes	Parts family	Type of component	Familie	Type d'élément
A	Aktive Bauelemente, Halbleiter	A	Active components, semiconductors	A	Composants actifs, semiconducteurs
AD	Universaldiode, z.B. Gleichrichter, Sperrdiode	AD	General-purpose diode, e.g. rectifier, high-resistance diode	AD	Diode d'usage général, p.ex. redresseur, diode à haute résistance
AE	Spezialdiode, z.B. Tunnel-, Kapazitäts-, Zener-Diode	AE	Diode (special), e.g. tunnel diode, varactor, Zener diode	AE	Diode spéciale, p.ex. diode tunnel, varactor, diode Zener
AF	Fotohalbleiter, z.B. Foto-Diode, -Transistor, -Widerstand, Leuchtdiode	AF	Photo-semiconductor, e.g. resistor, diode, transistor, LED	AF	Semiconducteur photoélectrique, p.ex. diode, transistor, résistance photoél., DEL
AG	Leistungs-Gleichrichter, z.B. Thyristor, Triac, Selengleichrichter	AG	Power rectifier, e.g. thyristor, triac, selenium rectifier	AG	Redresseur de puissance, p.ex. thyristor, triac, redresseur, au sélénium
AK	Kleinsignal-Transistor	AK	Small-signal transistor	AK	Transistor faible puissance
AL	Leistungs-Transistor	AL	High-power transistor	AL	Transistor grande puissance
AM	Spezial-Transistor, z.B. FET, MOSFET	AM	Transistor (special), e.g. FET, MOS-FET	AM	Transistor spécial, p.ex. TEC, MOSTEC
AP	Peltier-, Hall-Element	AP	Peltier element, Hall element	AP	Element Peltier, élément Hall
AR	Röhre für Empfänger, Verstärker, Gleichrichter	AR	Valve for receiver, amplifier, rectifier	AR	Tube pour récepteur, amplificateur, redresseur
AS	Spezialröhre, z.B. Senderöhre, EW-Widerstand, Stabilisator	AS	Valve (special), e.g. for transmitter, barretter, ballast valve	AS	Tube (spécial), p.ex. pour émetteur, résistance fer-hydrogène, ballast
AT	Katodenstrahlröhre, z.B. Bildröhre, Ziffern-Anzeigeröhre	AT	Cathode ray tube, e.g. picture tube, digital indicator tube	AT	Tube à rayon cathodique, p.ex. tube à image, tube à affichage numérique
AZ	Zubehör für Halbleiter u. Röhren	AZ	Accessories for semiconductors and valves	AZ	Accessoires pour semiconducteurs et tubes
B	Bausteine	B	PC boards, chips	B	Cartes imprimées, puces
BC	Integr. Schaltkreis (Microcomp.)	BC	Integrated circuit (interface, A/D)	BC	Circuit intégré (microprocesseur)
BD	R&S-Dünnschicht- und Dickschichtschaltung	BD	R&S thinfilm or thickfilm circuit	BD	Circuit R&S à couche mince ou épaisse
BG	R&S-spezifische Gate-Arrays	BG	R&S gate arrays	BG	Circuits intégrés prédiffusés R&S
BJ	Integrierter Schaltkreis (Interface, A/D-Wandler)	BJ	Integrated circuit (interface, A/D converter)	BJ	Circuit intégré (interface, convertisseur A/N)
BL	Log. Schaltkreis z.B. DTL, TTL, HTL, ECL, C-MOS	BL	Logic circuit, e.g. DTL, TTL, HTL, ECL, C-MOS	BL	Circuit logique, p.ex. DTL, TTL, HTL, ECL, C-MOS
BM	Hybridbaustein, z.B. Mischer, Tuner, Modulator	BM	Hybrid chip, e.g. mixer, tuner, modulator	BM	Puce hybride, p.ex. mélangeur, tuner, modulateur
BO	Analogschaltkreis, z.B. Operationsverstärker	BO	Analog circuit, e.g. operational amplifier	BO	Circuit analogique, p.ex. amplificateur opérationnel
BP	Optoelektronischer Baustein, z.B. Anzeigeeinheit, Koppler	BP	Optoelectronic component, e.g. display, coupler	BP	Composant optoélectronique, p.ex. afficheur, coupleur
BS	Schalt- und Steuerbaustein, elektronischer Sensor	BS	Switching and control modul, electronic sensor	BS	Modul de commutation et de commande, sonde électronique
BV	Stromversorgung, Übersp.-Schutz	BV	Power pack, protective circuit	BV	Alimentation, protection surcharge
BZ	Zubehör	BZ	Accessories	BZ	Accessoires

Teile- familie	Art des Bauelementes	Parts family	Type of component	Familie	Type d'élément
C	Kondensatoren	C	Capacitors	C	Condensateurs
CB	Bypass-, Durchf.-Kondensator	CB	Bypass capacitor, feed-through capacitor	CB	Condensateur bypass, condensateur de traversée
CC	Keramischer Kondensator	CC	Ceramic capacitor	CC	Condensateur céramique
CD	Drehkondensator	CD	Variable capacitor	CD	Condensateur variable
CE	Elektrolytkondensator	CE	Electrolytic capacitor	CE	Condensateur électrolytique
CG	Glimmerkondensator	CG	Mica capacitor	CG	Condensateur au mica
CH	Sperrschichtkondensator	CH	Semiconductor capacitor	CH	Condensateur semiconducteur
CK	Kunstfolienkondensator	CK	Synthetic-foil capacitor	CK	Condensateur à feuille synthétique
CL	Ker. Hochsp.-Kondensator	CL	HV capacitor (ceramic)	CL	Condensateur HT céramique,
CM	Metallpapier-Kondensator	CM	MP capacitor	CM	Condensateur à papier métallisé
CN	Kondensatornetzwerk	CN	Capacitor network	CN	Réseau capacitif
CP	Papierkondensator	CP	Paper capacitor	CP	Condensateur au papier
CS	Störschutzkondensator	CS	Interference-suppression capacitor	CS	Condensateur anti-parasite
CT	Trimmkondensator	CT	Trimmer capacitor	CT	Condensateur ajustable
CV	Vakuum-Kondensator	CV	Vacuum capacitor	CV	Condensateur à vide
D	Drähte, Leitungen	D	Wires, lines	D	Fils, lignes
DD	Schalt- und Wickeldraht	DD	Hook-up or winding wire	DD	Fil de câblage, fil de bobinage
DF	Flachleitung, Litze	DF	Flat multiple line, stranded wire	DF	Ligne plate, ligne torsadée
DG	Abgeschirmte Leitung	DG	Shielded line	DG	Ligne blindé
DH	Koaxialkabel	DH	Coaxial line	DH	Ligne coaxiale
DJ	Isolierschläuche, Schrumpfschläuche, Wellrohre, Schutzschläuche	DJ	Insulating sheaths, shrink-on sleeves, corrugated tubes, protective tubes	DJ	Gaines isolantes, gaines thermorétractables tubes ondulés, gaines protectrices
DL	HF-Litzen	DL	RF stranded wires	DL	Lignes torsadées RF
DM	Schaltlitzen (mehrdrähtige Leiter)	DM	Multi-conductor wires	DM	Lignes torsadées (multiconducteurs)
DN	Antenne	DN	Antenna	DN	Antenne
DO	Lichtleiter (optisch)	DO	Optical waveguides	DO	Guides d'onde optiques
DP	Leiterplatten (unbestückt)	DP	Printed circuit boards (bare)	DP	Cartes imprimées (non équipées)
DQ	Multilayer (unbestückt)	DQ	Multilayer boards (bare)	DQ	Cartes multicouche (non équipées)
DS	Anschlußkabel (mehradrig)	DS	Connecting cable, multicore	DS	Câble de connexion (multiconducteur)
DU	Substratplatten für Dickschichtschaltungen	DU	Substrate boards for thickfilm circuits	DU	Cartes à substrat pour circuits à couche épaisse
DW	Festmantelkabel	DW	Rigid cables	DW	Câbles rigides
E	Elektrische Teile	E	Electric parts	E	Organes électriques
EB	Blei-, NC-Akku, Batterie	EB	Lead or alkaline accumulator, battery	EB	Accumulateur Pb/NC, batterie
ED	Gedruckte Schaltung (bestückte Leiterplatte), nicht steckbar	ED	Printed circuits (assembled), non-pluggable	ED	Circuits imprimés (équipés) non enfichables
EE	Gedruckte Schaltung (bestückte Leiterplatte), steckbar	EE	Printed circuits (assembled), pluggable	EE	Circuits imprimés (équipés) enfichables
EF	Glühlampe, Leuchte	EF	Incandescent lamp, pilot lamp	EF	Lampe à incandescence, voyant
EG	Glimmlampe, Entladungslampe	EG	Glow lamp, discharge lamp	EG	Lampe à luminescence lampe à décharge
EK	Kontakt-Streifen, -Feder	EK	Contact clip, contact spring	EK	Lampe de contact, ressort de contact
EL	Lautsprecher, Kopfhörer, Mikrofon	EL	Loudspeaker, headphones, microphone	EL	Haut-parleur, casque, microphone
EM	Motor, Hubmagnet, Drehfeldsystem	EM	Motor, lifting magnet, synchro system	EM	Moteur, électro-aimant de levage, système synchro
EO	Oszillator, z.B. Quarzoszillator	EO	Oscillator, e.g. crystal oscillator	EO	Oscillateur p.ex. oscillateur à quartz
EP	Tief-, Band-, Hochpaß, Bandsperre, Diskriminator	EP	Lowpass, bandpass, highpass filter, band-stop filter, discriminator	EP	Filtre passe-bas, passe-bande, passe-haut, suppression de bande, discriminateur
EQ	Schwing-, Filter-Quarz	EQ	Oscillator or filter crystal	EQ	Quartz oscillateur, quartz de filtre
ER	Resonator, piezoelektr./magnetostruktiv	ER	Resonator, piezoelectric/magnetostrictive	ER	Résonateur piézo-électrique/magneto-strictif
ES	Passive SHF-Bauteile	ES	Passive SHF-components	ES	Composant SHF passif
ET	Thermostat	ET	Thermostat	ET	Thermostat
EV	Lüfter, Gebläse	EV	Ventilator, blower	EV	Ventilateur, soufflerie

Teilefamilie	Art des Bauelementes	Parts family	Type of component	Familie	Type d'élément
F	Fassungen, Steckverbindungen	F	Sockets, connectors	F	Douilles, connecteurs
FG	Koax-Umrüstsatz	FG	Coaxial screw-in assembly	FG	Ensemble vissable coaxial
FH	Koax-Übergang auf Fremdsystem	FH	Coaxial adapter	FH	Adaptateur coaxial
FJ	BNC-Systemteil	FJ	BNC screw-in assembly	FJ	Ensemble vissable BNC
FK	Koaxial-UHF-Systemteil	FK	Coaxial UHF screw-in assembly	FK	Ensemble vissable coaxial UHF
FM	Mehrfachstecker, Buchsenleiste	FM	Multipoint connector	FM	Connecteur multiple
FN	Netz-Steckverbindung	FN	AC-supply connector	FN	Connecteur secteur
FO	Runde Mehrfach-Steckverbindung	FO	Round multipoint connector	FO	Connecteur multipoles rond
FP	Druckschalt-Steckverbindung	FP	Multipoint connector for PC boards	FP	Connecteur multipoles pour cartes imprimées
FR	Fassung für Lampe, Sicherung, usw.	FR	Socket for lamp, fuse, etc.	FR	Douille pour lampe, fusible etc. . . .
FT	Schwachstrom-Steckverbindung	FT	LV plug and socket	FT	Connecteur pour faible courant
FU	Hochspannungs-Steckverbindung	FU	HV plug and socket	FU	Connecteur pour haute tension
FV	Verbinder (z.B. AMP)	FV	Push-on connector	FV	Connecteur à enfichage
FZ	Zubehör für koax. Bauelemente	FZ	Accessories for coax. components	FZ	Accessoires pour composants coax.
H	Software	H	Software	H	Logiciel
HP	Software-Komponenten und Software-Module	HP	Rights to software components and software modules	HP	Droits d'utilisation de composants et modules logiciel
HS	Auf Informationsträger geladene Software	HS	Software data media	HS	Logiciel sur support d'information
J	Meßinstrumente	J	Indicators	J	Indicateurs
JD	Drehspul-Anzeiginstrument	JD	Moving-coil meter	JD	Galvanomètre à cadre mobile
JE	Dreheisen-Anzeiginstrument	JE	Moving-iron meter	JE	Galvanomètre à fer mobile
JF	Frequenzmesser	JF	Frequency meter	JF	Fréquence-mètre
JG	Drehspulinstrument mit Gleichrichter	JG	Moving-coil meter with rectifier	JG	Galvanomètre à cadre mobile avec redresseur
JH	Betriebsstundenzähler	JH	Operating-hours counter	JH	Compteur d'heures de fonctionnement
JJ	Impulszähler	JJ	Pulse counter	JJ	Compteur d'impulsions
JK	Kleinst-Instrument, z.B. Abstimmanzeiger	JK	Mini-instrument, e.g. tuning indicator	JK	Petit indicateur, p.ex. indicateur d'accord
JM	Mechanisches Zählwerk	JM	Mechanical counter	JM	Compteur mécanique
JP	Projektions-Instrument (Leuchtziffer)	JP	Digital display	JP	Afficheur numérique
JQ	Quotientenmesser (Kreuzspulinstrum.)	JQ	Ratiometer (cross coul)	JQ	Quotientmètre (à cadres croisés)
JU	Uhrwerk	JU	Clockwork	JU	Mouvement d'horlogerie
JW	Elektrodyn. Anzeiginstrument	JW	Electrodynamic meter	JW	Instrument électrodynamique
L	Induktivitäten, Magnetik	L	Inductors, magnetic components	L	Composants inductifs et magnétiques
LB	Blech- und Schnittbandkern mit Zubehör	LB	Laminated and C-cores with accessories	LB	Noyaux feuilletés et noyaux de type C, avec accessoires
LC	Keramische Spule	LC	Ceramic coil	LC	Bobine céramique
LD	Netz-, HF-Drossel, Df-Filter	LD	Choke, lead-through filter	LD	Self de choc, filtre dé traversée
LE	Einzelkreis, Bandfilter	LE	Single tuned circuit, bandpass filter	LE	Circuit accordé, filtre passe-bande
LF	Ferritkern mit Zubehör	LF	Ferrite cores with accessories	LF	Noyaux en ferrite avec accessoires
LK	Karboneisenkern und elektrischer Kupferkern mit Zubehör	LK	Iron carbonyl slugs and copper slugs with accessories	LK	Noyaux en fer carbonyle et en cuivre, avec accessoires
LL	Luftspule	LL	Air-core coils	LL	Bobines à air
LM	Magnetband und -platte	LM	Magnetic tapes and disks	LM	Bandes et disques magnétiques
LS	Schirmbecher	LS	Screening cans	LS	Bîtiers de blindage
LT	Netztransformator	LT	Power transformer	LT	Transformateur secteur
LU	NF-Übertrager	LU	AF transformer	LU	Transformateur BF
LV	Variometer	LV	Variometer	LV	Variomètre
LW	Wickelkörper, allgemein	LW	Coil formers, general	LW	Carcasses de bobine, en général

Cross-Reference List of Class Designation Letters

IEC Publication 113-2 (1971) Item Designations, Letter Codes
ANSI Y32.2-1975 (IEEE Std 315-1975), Section 22, Class Designation Letters

Note: The designation letters used in the R&S Manuals correspond to the letter codes of the IEC Standard identified in the first column!

IEC Publication 113-2 Terminology	Letter Code		IEC Publication 113-2 Terminology	Letter Code	
	IEC	Y32.2		IEC	Y32.2
Acoustical indicator	H	LS	Magnetic tape recorder	D	A
Adjustable resistor	R	R	Maser	A	A
Aerial	W	E	Measuring equipment	P	M
Amplifier	A	AR	Microphone	B	MK
Amplifier (with tubes)	A	AR	Miscellaneous	E	E
Arrester	F	E	Modulator	U	A
Assemblies	A	A,U	Monostable element	D	A,U
Auxiliary switch	S	S	Motor	M	B
Battery	G	BT	Optical indicator	H	DS
Adjustable element	D	U,A	Oscillator	G	Y,G
Brake	Y	MP	Overvoltage discharge device	F	F,E
Busbar	W	W	Parabolic aerial	W	E
Cable	W	W	Photoelectric cell	B	V
Cable balancing network	Z	Z	Pickup	B	PU
Capacitor	C	C	Plug	X	P
Changer	U	A,B,G,MT	Pneumatic valve	Y	MP
Circuit breaker	Q	CB	Potentiometer	R	R
Clutch	Y	MP	Power switchgear	Q	CB,S
Coder	U	U,A	Protective device	F	F
Compander	Z	A	Pushbutton	S	S
Connecting stage	S	S	Quartz-oscillator	G	Y
Contactors	K	K	Recording device	P	A,M
Control switch	S	S	Register	D	A,U,M
Converter	U	A,U,M,G	Relay	K	K
Core, storage	D	E	Resistor	R	R
Crystal filter	Z	FL	Resolver	B	B
Crystal transducer	B	Y	Rheostat	R	R
Current transformer	T	T	Rotating frequency generator	G	G,MG
Delay device	D	DL	Rotating generator	G	G
Delay line	D	DL	Selector	S	S
Demodulator	U	A	Selector switch	S	S
Dial contact	S	S	Semiconductor	V	D,CR,Q
Diode	V	D	Shunt (resistor)	R	R
Dipole	W	E	Signal generator	P	A
Disconnecting plug	X	P	Signaling device	H	DS
Disconnecting socket	X	X	Socket	X	X
Discriminator	U	A	Soldering terminal strip	X	E,TB
Disk recorder	D	A	Static frequency changer	U	A
Dynamotor	B	MG	Storage device	D	A,U
Electrically operated mechanical device	Y	MT	Subassembly	A	A
Electronic tube	V	V	Supply	G	A,PS
Equalizer	Z	EQ	Supply device	G	A,PS
Filter	Z	FL	Synchro	B	B
Frequency changer	U	A,B,G	Telegraph translator	U	A
Fuse	F	F	Terminal	X	E
Gas discharge tube	V	V	Terminal board	X	TB
Generator	G	G	Termination	Z	AT
Heating device	E	HR	Test jack	X	EJ
Hybrid	Z	Z	Testing equipment	P	A
Indicating device	P	DS	Thermistor	R	RT
Induction coil	L	L	Thermo cell	B	A,TC
Inductors	L	L	Thermoelectric sensor	B	A
Integrating measuring device	P	M,MT,Z	Thyristor	V	Q
Inverter	U	A,U,PS,MG	Transducer (nonelectrical quantity to electrical quantity)	B	A,BT
Isolator	Q	AT	Transformer	T	T
Jumper wire	W	W	Transmission path	W	W
Laser	A	MT,A	Transistor	V	Q
Lighting device	E	DS	Tube (electron)	V	V
Limit switch	S	S	Voltage transformer (potential)	T	T
Limiter	Z	MT,RE	Waveguide	W	W
Line trap	L	FL,MP,V	Waveguide directional coupler	W	DC
Loudspeaker	B	LS			
Magnetic amplifier	A	AR			


Zusammenstellung der lieferbaren Netzkabel
 List of power cables available
 Liste des câbles d'alimentation disponibles

Sach-Nr. Stock No. Référence	Schutzkontaktstecker nach: Earthed-contact connector: Fiche à contact de protection:	Vorzugsweise verwendet in: Preferably used in: Utilisé de préférence en:
DS 006.7013	BS 1363: 1967' 13A entspr. IEC 83: 1975 Standard B2 BS 1363: 1967' 13A complying with IEC 83: 1975 Standard B2 BS 1363: 1967' 13A suivant CEI 83: 1975 norme B2	GB Great Britain Grande- Bretagne
DS 006.7020	Typ 12 nach SEV-Vorschrift 1011.1059, Normblatt S24507 Type 12 complying with SEV re- gulation 1011.1059, standard sheet S24507 Type 12 suivant la norme SEV 1011.1059, feuille S24507	Schweiz Switzerland Suisse
DS 006.7036	Typ 498/13 nach USA-Vorschrift UL 498, bzw. IEC 83 Type 498/13 complying with US regulation UL 498 or with IEC 83 Type 498/13 suivant la norme E.U.A UL 498 ou la norme CEI 83	USA/Kanada USA/Canada E.U.A./Canada
DS 006.7107	Typ SAA3 10 A, 250 V, nach AS C112-1964 Ap. Type SAA3 10 A, 250 V, complying with AS C112-1964 Ap. Type SAA3 10 A, 250 V, suivant AS C112-1964 Ap.	Australien Australia Australie
DS 025.2365	DIN 49441, 10 A, 250 V .	Europa (ohne Schweiz) Europe (Switzerland not included) Europe (Suisse non comprise)

Für diese Unterlage behalten wir uns alle Rechte vor.

Kennz. Comp. No.	Benennung Designation	Sachnummer Stock No.	Hersteller Manufacturer	Bezeichnung Designation	enthalten in contained in
A1	ED TASTATUR ANZEIGE KEYBOARD DISPLAY	0801.1366.02			0801.0047.01
A2	EE FRN LOOP FRN LOOP	0801.3917.02			0801.0047.01
A3	EE HF-OSZILLATOR RF OSCILLATOR	0801.5110.02			0801.0047.01
A4	ED AUSGANGSSTUFE 2GHZ OUTPUT-STAGE 2GHZ	0843.4805.02			0845.4031.01
A4	NUR VAR/ONLY MOD: 44 ED AUSGANGSSTUFE 2GHZ OUTPUT-STAGE 2GHZ	0843.4805.02			0845.4031.01
A5	NUR VAR/ONLY MOD: 52 53 ED RECHNER OHNE SOFTWARE PROCESSOR WITHOUT SOFTW.	0801.2410.02			0845.4031.01
A5	NUR VAR/ONLY MOD: 44 52 ED RECHNER OHNE SOFTWARE PROCESSOR WITHOUT SOFTW.	0843.4705.02			0845.4031.01
A5	NUR VAR/ONLY MOD: 53 ED RECHNER OHNE SOFTWARE PROCESSOR WITHOUT SOFTW.	0801.2410.02			0845.4031.01
A6	ED NF-GENERATOR AF GENERATOR	0801.7312.02			0845.4031.01
A8	ZJ NETZTEIL POWER SUPPLY	0801.1614.02			0801.0047.01
A9	ZE EICHL. (SMG) ATTENUATOR (SMG/SMH)	0801.1108.02			0801.0047.01
A100	ED NF-MOTHERBOARD AF MOTHERBOARD	0801.1172.02			0801.0047.01
A200	ED HF-MOTHERBOARD RF MOTHERBOARD	0801.1066.02			0801.0047.01
A220	ZE ERWEITERUNG-2GHZ EXTENSION-2GHZ	0843.3273.02			0845.4031.01
W1	DW HF-KABEL W1 RF CABLE W1	0801.7635.00			0843.3496.01
W3	DV HF-KABEL W3 RF CABLE W3	0801.7535.00			0843.3380.01
W4	DV HF-KABEL W4 RF CABLE W4	0801.7541.00			0843.3380.01
W5	DV HF-KABEL W5 RF CABLE W5	0801.7558.00			0843.3380.01
W6	DV HF-KABEL W6 RF CABLE W6	0801.7564.00			0843.3380.01
W7	DV HF-KABEL W7 RF CABLE W7	0801.7570.00			0843.3380.01
W9	DX KABEL W9 ANBIETEN: 801.8083.00	0801.7593.00			0843.3473.01
W10	DX KABEL W10 ANBIETEN: 801.8083.00	0801.7606.00			0843.3473.01
W11	NUR VAR/ONLY MOD: 52 DV KABEL W11 CABLE W11	0801.7612.00			0843.3380.01
W12	DV HF-KABEL W12 RF-CABLE	0843.3421.00			0843.3380.01
W13	DV HF-KABEL W13 RF-CABLE	0843.3438.00			0843.3380.01
W14	DV HF-KABEL W14 RF-CABLE	0843.3444.00			0843.3380.01
W15	DX HF-KABEL W15 RF-CABLE	0843.3409.00			0843.3496.01
W17	DV KABEL W17 CABLE	0843.3480.00			0843.3380.01
X2	FJ EINBAUBUCHSE SYST.BNC BNC-CONNECTOR UG 625CIU	FJ 0099.9186.00	ROSENBERGE	51K-503-200-N4	0801.0047.01
X3	FJ EINBAUBUCHSE SYST.BNC BNC-CONNECTOR UG 625CIU	FJ 0099.9186.00	ROSENBERGE	51K-503-200-N4	0801.0047.01
X4	FJ EINBAUBUCHSE SYST.BNC BNC-CONNECTOR UG 625CIU	FJ 0099.9186.00	ROSENBERGE	51K-503-200-N4	0801.0047.01

095.0026-0693

MEZ15	790 3PLU	ÄI	Datum Date	Schaltteilliste für Parts list for	Sachnummer Stock No.	Blatt-Nr. Page
		28	03.05.99	GG SMH SIGNAL GENERATOR	0845.4002.01 SA	1-


Für diese Unterlage behalten wir uns alle Rechte vor.

Kennz. Comp. No.	Benennung Designation	Sachnummer Stock No.	Hersteller Manufacturer	Bezeichnung Designation	enthalten in contained in
.	XX VARIANTENERKLAERUNG IDENTIFICATION OF MODELS VAR 02 = GRUNDAUSFUEHRUNG MOD 02 = BASIC MODEL VAR 04 = SMGL MOD 04 = SMGL				
X33	DX BUCHSENEINHEIT CONNECTOR UNIT NUR VAR/ONLY MOD: 02	0801.7987.00			0801.8060.01
X33	DY BUCHSENEINHEIT CONNECTOR UNIT NUR VAR/ONLY MOD: 04	0801.7970.00			0801.8060.01
X70	DX BUCHSENEINHEIT CONNECTOR UNIT	0801.8002.00			0801.8060.01
X71	FP BUCHSENLEISTE 32POL. CONNECTOR 32POL.	FP 0008.5676.00	DEUT_ELCO	26 8457 064 004 027	
X72	FP BUCHSENLEISTE 64P. CONNECTOR 64P	FP 0008.5699.00	DEUT_ELCO	26 8457 064 004 025	
X73	FP BUCHSENLEISTE 32P.KURZ M.CL CONNECTOR	FP 0008.5624.00	DEUT_ELCO	26 8457 048 004 026	
X77	DX BUCHSENEINHEIT CONNECTOR UNIT NUR VAR/ONLY MOD: 02	0801.7993.00			0801.8060.01
X77	DY BUCHSENEINHEIT CONNECTOR UNIT NUR VAR/ONLY MOD: 04	0801.7958.00			0801.8060.01
X79	FP STIFTL.WIN 36P.R2,54 ANGLE PIN CONNECTOR 6 POLE/PINS	FP 0243.3578.00	BERG_ELEKT	75168-113-36	
X221	FP STIFTL.WIN 36P.R2,54 ANGLE PIN CONNECTOR 12 POLE/PINS	FP 0243.3578.00	BERG_ELEKT	75168-113-36	
X10A	FP STIFTL.WIN 36P.R2,54 PIN CONNECTOR 5 POLE/PINS	FP 0242.3600.00	MPE	STL1-1180-14GGT8-036	
X10B	FP STIFTL.WIN 36P.R2,54 PIN CONNECTOR 5 POLE/PINS	FP 0242.3600.00	MPE	STL1-1180-14GGT8-036	
X74A	FP STIFTL.WIN 36P.R2,54 PIN CONNECTOR 13 POLE/PINS	FP 0242.3600.00	MPE	STL1-1180-14GGT8-036	
X74B	FP STIFTL.WIN 36P.R2,54 PIN CONNECTOR 13 POLE/PINS	FP 0242.3600.00	MPE	STL1-1180-14GGT8-036	
X76A	FP STIFTL.WIN 36P.R2,54 ANGLE PIN CONNECTOR 5 POLE/PINS	FP 0243.3578.00	BERG_ELEKT	75168-113-36	
X76B	FP STIFTL.WIN 36P.R2,54 ANGLE PIN CONNECTOR 5 POLE/PINS	FP 0087.9105.00	AMP	3-827 844-6	
X78A	FP STIFTL.WIN 36P.R2,54 PIN CONNECTOR 17 POLE/PINS	FP 0242.3600.00	MPE	STL1-1180-14GGT8-036	
X78B	FP STIFTL.WIN 36P.R2,54 PIN CONNECTOR 17 POLE/PINS	FP 0242.3600.00	MPE	STL1-1180-14GGT8-036	

095-0026-0693

MEZ15	790 3PLU	ÄI	Datum Date	Schaltteilliste für Parts list for	Sachnummer Stock No.	Blatt-Nr. Page
	ROHDE & SCHWARZ	03	03.05.99	ED NF-MOTHERBOARD	0801.1172.01 SA	1-

Für diese Unterlage behalten
wir uns alle Rechte vor.

Kennz. Comp. No.	Benennung Designation	Sachnummer Stock No.	Hersteller Manufacturer	Bezeichnung Designation	enthalten in contained in	
.	XX VARIANTENERKLAERUNG IDENTIFICATION OF MODELS VAR 02 = GRUNDAUSFUEHRUNG MOD 02 = BASIC MODEL VAR 04 = SMGL MOD 04 = SMGL					
X32	DY BUCHSENEINHEIT CONNECTOR UNIT NUR VAR/ONLY MOD: 02	0801.7964.00				
X32	DY BUCHSENEINHEIT CONNECTOR UNIT NUR VAR/ONLY MOD: 04	0801.7941.00				
X51	FP BUCHSENLEISTE 32POL.	FP 0514.4120.00	SIEMENS	V42254-B2201-B641		
..53	FEMALE MULTIPOINT CONNECT					
X70A	FP STIFTL.WIN 36P.R2,54 ANGLE PIN CONNECTOR 10-POLIG/PINS	FP 0087.9105.00	AMP	3-827 844-6		
X70B	FP STIFTL.WIN 36P.R2,54 ANGLE PIN CONNECTOR 10-POLIG/PINS	FP 0243.3578.00	BERG_ELEKT	75168-113-36		
MEZ15	790 3PLU	ÄI	Datum Date	Schaltteilliste für Parts list for	Sachnummer Stock No.	Blatt-Nr. Page
 ROHDE & SCHWARZ	01	03.05.99	ED HF-MOTHERBOARD RF MOTHERBOARD	0801.1066.01 SA	1-	

095.0026-0693



ROHDE & SCHWARZ

SERVICEUNTERLAGEN

Baugruppe "Tastatur/Anzeige"

801.1366.02

Printed in West Germany

ENGLISH SERVICE MANUAL FOLLOWS FIRST COLOURED DIVIDER

Inhaltsübersicht

	Seite
5	Serviceanleitung Baugruppe "Tastatur/Anzeige" ... 5.1
5.1	Funktionsbeschreibung 5.1
5.1.1	Tastaturmatrix 5.1
5.1.2	LED-Ansteuerung 5.1
5.1.3	LCD-Ansteuerung 5.2
5.1.4	Drehimpulsgeber 5.2
5.2	Prüfen und Abgleichen 5.3
5.3	Fehlersuche 5.3
5.4	Schnittstellen 5.4
	Schaltteillisten
	Stromläufe
	Bestückungspläne

5.1 Funktionsbeschreibung

(Hierzu Stromlauf 801.1366 S)

Die Schaltung der Baugruppe "Tastatur/Anzeige" gliedert sich in vier Funktionsblöcke:

- Tastaturmatrix mit den Eingabetasten S1...S45
- LED-Ansteuerung
- LCD-Ansteuerung
- Drehimpulsgeber

5.1.1 Tastaturmatrix

Die 45 Eingabetasten der Tastatur sind an den Kreuzungspunkten einer 8 x 7-Matrix angeordnet, deren 8 Zeilenleitungen und 7 Spaltenleitungen durch die Buchseneinheit X78 mit der Baugruppe "Rechner" verbunden sind. Beim Betätigen einer Eingabetaste wird die Zeile, in der die Taste angeordnet ist, mit der ihr zugeordneten Spalte verbunden.

Dadurch wird mittels einer auf der Baugruppe "Rechner" angeordneten Interface-Schaltung zunächst ein Interrupt erzeugt, der den Rechner veranlaßt, einen für diese Tastenstellung charakteristischen Tastencode über den Datenbus einzulesen.

5.1.2 LED-Ansteuerung

Zur Vereinfachung der Bedienung sind einigen Eingabetasten Leuchtdioden zugeordnet, die die jeweils zuletzt betätigte Taste anzeigen. Eine weitere LED dient als REMOTE-Anzeige.

Die Ansteuerung der LEDs erfolgt über drei in Serie geschaltete Schieberegister, die über eine Datenleitung (DIS.DATA) seriell geladen werden und über ein Strobe-Signal die eingelesenen Daten an ihren Ausgängen bereitstellen.

Neben der Ansteuerung der LEDs dient ein Ausgabebit der Ansteuerung der Beleuchtung der LCD-Anzeigen.

5.1.3 LCD-Ansteuerung

Das Gerät besitzt drei LCD-Anzeigen, das Frequenz-Display, das Modulations-Display und das Pegel-Display.

Die Ansteuerung der Segmente der drei Displays erfolgt im Multiplexverfahren durch je einen Ansteuerbaustein.

Der Datenverkehr zwischen der Baugruppe "Rechner" und den Ansteuerbausteinen erfolgt seriell über die bereits erwähnte DIS.DATA-Leitung. Zur Auswahl der Ansteuerbausteine stehen drei Chip-Select-Leitungen zur Verfügung.

5.1.4 Drehimpulsgeber

Der Drehimpulsgeber dient zur quasikontinuierlichen Variation von Geräteeinstellungen. Durch Links- bzw. Rechtsdrehung des Drehimpulsgebers wird der durch die Parameter-LED angezeigte Parameter in programmierbaren Schritten verringert bzw. erhöht.

Der Drehimpulsgeber besteht aus einem auf der Drehknopfachse angebrachten, radial abwechselnd in Nord- und Südrichtung magnetisierten Ferrit-Ring.

Die Information über Drehrichtung und -winkel wird über zwei am Umfang versetzt angeordnete Hall-Sensoren abgeleitet.

5.2 Prüfen und Abgleichen

Mit Hilfe des Potentiometers R18 läßt sich der optimale Kontrast zwischen den aktiven und inaktiven Segmenten der drei LCD-Anzeigen einstellen. Das Potentiometer R18 ist nach Entfernen der Beschriftungsplatte zum Abgleich zugänglich.

Die Einstellung des Kontrasts sollte aus frontaler Sicht auf die Displays erfolgen. Die Funktionsfähigkeit der Tastaturmatrix läßt sich durch Betätigen der Eingabetasten am Display kontrollieren.

Zum Prüfen der Anzeigen, deren Ansteuerung und Beleuchtung sowie der LEDs steht die Spezialfunktion "Display Test" zur Verfügung, nach deren Aufruf alle LCD-Segmente und LEDs angesteuert werden.

Die Funktionsfähigkeit des Drehimpulsgebers läßt sich ebenfalls direkt am Display kontrollieren.

5.3 Fehlersuche

Sollte eine Eingabe nicht im Display erscheinen, so ist nachzuprüfen, ob durch Betätigen der Taste ein Interrupt erzeugt wird (siehe Baugruppe "Rechner"). Ist dies der Fall, so sollte mit Hilfe der Spezialfunktion "Display Test" die Ansteuerung der Anzeigen überprüft werden, ansonsten die Eingabetasten.

Variiert der Drehimpulsgeber nicht oder in falscher Richtung, so sind die Ausgangssignale der Hall-Sensoren zu überprüfen (X1.A3, X1.B3).

Bei Betätigen des Drehimpulsgebers sollen an den Ausgängen TTL-Signale mit einem Tastverhältnis von etwa 1:1 und einer Phasenverschiebung von etwa 90° zueinander anliegen.

5.4 Schnittstellen

a) Tastaturmatrix

Bezeichnung	Kürzel	Pegel	X1
Zeile 1	ROW1	TTL	B12
Zeile 2	ROW2	TTL	A12
Zeile 3	ROW3	TTL	B11
Zeile 4	ROW4	TTL	A11
Zeile 5	ROW5	TTL	B10
Zeile 6	ROW6	TTL	A10
Zeile 7	ROW7	TTL	B9
Spalte 1	COL1	TTL	B8
Spalte 2	COL2	TTL	A8
Spalte 3	COL3	TTL	B7
Spalte 4	COL4	TTL	A7
Spalte 5	COL5	TTL	B6
Spalte 6	COL6	TTL	A6
Spalte 7	COL7	TTL	B5
Spalte 8	COL8	TTL	A5

b) LED-Ansteuerung

Bezeichnung	Kürzel	Pegel	X1
Taktsignal	DIS.CLK	TTL	A16
Dateneingang	DIS.DATA	TTL	B15
Strobe-Eingang	LED.STB	TTL	B16

c) LCD-Ansteuerung

Bezeichnung	Kürzel	Pegel	X1
Taktsignal	DIS.CLK	TTL	A16
Dateneingang	DIS.DATA	TTL	B15
Chip-Select Frequenzdisplay	DIS.STB1	TTL	A14
Chip-Select Modulationsdisplay	DIS.STB2	TTL	B13
Chip-Select Pegeldisplay	DIS.STB3	TTL	A13
Display-Reset-Eingang	RES	TTL	A9
Display-Steuereingang	DIS.C/ \bar{D}	TTL	A15
Display-Handshake-Ausgang	BUSY	TTL	B14

d) Drehimpulsgeber

Bezeichnung	Kürzel	Pegel	X1
Drehwinkel-Impulsausgang	DG.PULS	TTL	A3
Drehrichtungs-Impulsausgang	DG.DIR	TTL	B3

e) Betriebsspannung

Bezeichnung	Kürzel	Pegel	X1
Betriebsspannung	VDD	5,2 V _{DC}	A2,B2
Masse	VSS	Ø V _{DC}	A1,B1,A17,B17

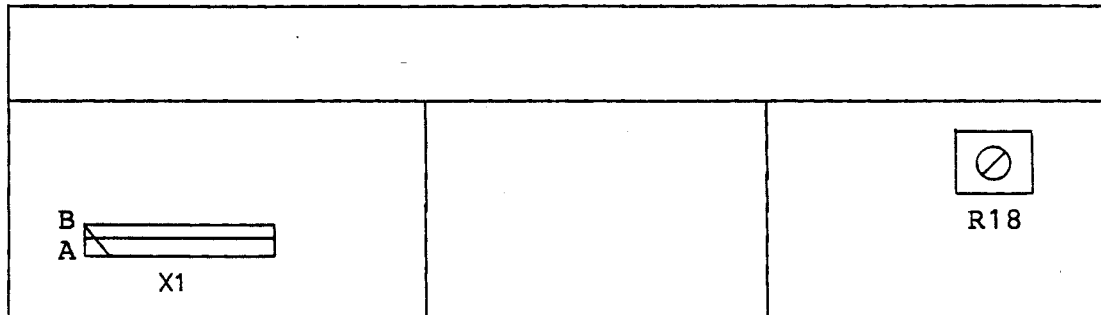


Bild 5-1 Lage der Prüf- und Trimpunkte



ROHDE & SCHWARZ

SERVICE DOCUMENTS

Keyboard/Display Module

801.1366.02

Contents

	Page
5 <u>Service Manual for Keyboard/Display Module</u>	5.1
5.1 Function Description	5.1
5.1.1 Keyboard	5.1
5.1.2 LED Control	5.1
5.1.3 LCD Control	5.2
5.1.4 Spinwheel	5.2
5.2 Checking and Adjustment	5.3
5.3 Troubleshooting	5.3
5.4 Interfaces	5.4

Component lists
Circuit diagrams
Component layout diagrams

5.1 Function Description

(See circuit diagram 801.1366 S)

The circuit of the keyboard/display module is divided into four function blocks:

- Keyboard with input keys S1 to S45
- LED control
- LCD control
- Spinwheel

5.1.1 Keyboard

The 45 input keys on the keyboard are located at the points of intersection of an 8 x 7 matrix whose 8 row lines and 7 column lines are connected to the controller module via X78. When a key is pressed, the row in which it is located is connected to the associated column.

An interrupt is then generated by means of an interface circuit on the controller module which causes the controller to read in the code of the key pressed via the data bus.

5.1.2 LED Control

To simplify operation, LEDs are assigned to certain input keys and indicate the key last operated. A REMOTE LED is also present.

The LEDs are driven by three shift registers connected in series which are loaded sequentially via a data line (DIS.DATA). A strobe signal enables the read-in data of the shift registers to be output.

In addition to the control of the LEDs, one output bit of the shift registers controls the LCDs.

5.1.3 LCD Control

The instrument contains three LCDs, the frequency display, the modulation display and the level display.

The segments of the three displays are driven in multiplex mode by a control IC each.

Data transfer between the controller module and the control ICs takes place in the serial mode via the DIS.DATA line already mentioned. Three chip select lines are provided for selection of the control ICs.

5.1.4 Spinwheel

The spinwheel is used for quasi-continuous variation of instrument settings. The parameter indicated by the parameter LED is decreased or increased in programmable steps by spinwheel counterclockwise or clockwise.

The spinwheel consists of an axial ferrite ring which is radially magnetized North and South alternately.

The information on the direction and angle of rotation is derived from two Hall sensors displaced from one another on the circumference of the ring.

5.2 Checking and Adjustment

Potentiometer R18 can be used to set the optimum contrast between the active and inactive segments of the three LCD displays. Potentiometer R18 is accessible after removing the front-panel cover.

The adjustment of the contrast should be made when viewing the displays from the front. Correct functioning of the keyboard can be checked on the display by pressing the input keys.

Special function "Display Test" can be used to check the displays, their control and illumination as well as the LEDs. All LCD segments and the LEDs are driven when this function is called.

Correct functioning of the spinwheel can also be checked directly on the display.

5.3 Troubleshooting

In the event that an input does not appear in the display, check whether an interrupt is generated by pressing the key (see Processor module). If this is the case use the special function "Display Test" to test the display control, otherwise the input keys.

Check the output signals of the Hall sensors (X1.A3, X1.B3) if no variation is produced by the spinwheel or if the variation is in the wrong direction.

A duty factor of approx. 1:1 and a phase offset of approx. 90° should be present at the TTL signal outputs when the spinwheel is turned.

5.4 Interfaces

a) Keyboard

Designation	Abbreviation	Level	X1
Row 1	ROW1	TTL	B12
Row 2	ROW2	TTL	A12
Row 3	ROW3	TTL	B11
Row 4	ROW4	TTL	A11
Row 5	ROW5	TTL	B10
Row 6	ROW6	TTL	A10
Row 7	ROW7	TTL	B9
Column 1	COL1	TTL	B8
Column 2	COL2	TTL	A8
Column 3	COL3	TTL	B7
Column 4	COL4	TTL	A7
Column 5	COL5	TTL	B6
Column 6	COL6	TTL	A6
Column 7	COL7	TTL	B5
Column 8	COL8	TTL	A5

b) LED control

Designation	Abbreviation	Level	X1
Clock signal	DIS.CLK	TTL	A16
Data input	DIS.DATA	TTL	B15
Strobe input	LED.STB	TTL	B16

c) LCD control

Designation	Abbreviation	Level	X1
Clock signal	DIS.CLK	TTL	A16
Data input	DIS.DATA	TTL	B15
Chip select frequency display	DIS.STB1	TTL	A14
Chip select modulation display	DIS.STB2	TTL	B13
Chip select level display	DIS.STB3	TTL	A13
Display reset input	RES	TTL	A9
Display control input	DIS.C/ \bar{D}	TTL	A15
Display handshake output	BUSY	TTL	B14

d) Spinwheel

Designation	Abbreviation	Level	X1
Angle of rotation - pulse output	DG.PULS	TTL	A3
Direction of rotation - pulse output	DG.DIR	TTL	B3

e) Operating voltage

Designation	Abbreviation	Level	X1
Operating voltage	VDD	5.2 VDC	A2,B2
Ground	VSS	0 VDC	A1,B1,A17,B17

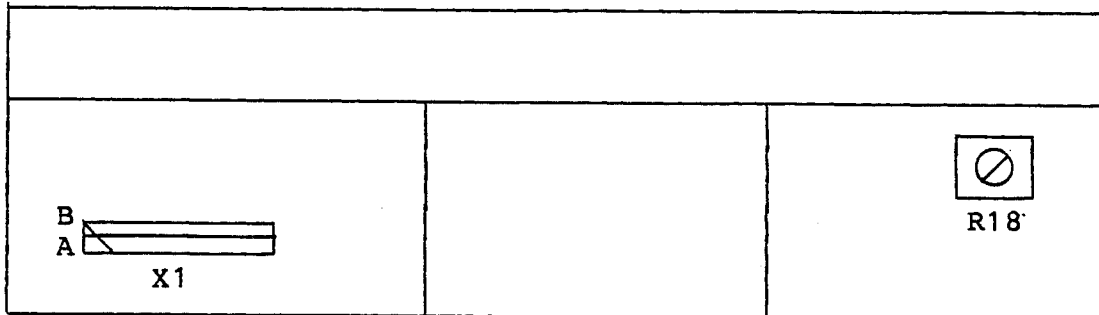



Fig. 5-1 Positions of the test points and trimmers

Schalteillisten
Stromläufe
Bestückungspläne
Part lists
Circuit diagrams
Components plans
Listes des pièces détachées
Schémas de Circuit
Plans des composants

Für diese Unterlage behalten
wir uns alle Rechte vor.

Kennz. Comp. No.	Benennung Designation	Sachnummer Stock No.	Hersteller Manufacturer	Bezeichnung Designation	enthalten in contained in	
B1	BS UGN3120U HALL-EFF.SW. HALL-EFF.SWITCH	BJ 0336.4750.00	ALLEGRO	UGN3120U		
B2	BS UGN3120U HALL-EFF.SW. HALL-EFF.SWITCH	BJ 0336.4750.00	ALLEGRO	UGN3120U		
C1	CE 1,0UF+-20%35V 5X 4X 7 ELECTROLYTIC CAPACITOR	CE 0022.8185.00	KEMET	T340 A105M040 AS		
C2	CE 1,0UF+-20%35V 5X 4X 7 ELECTROLYTIC CAPACITOR	CE 0022.8185.00	KEMET	T340 A105M040 AS		
C3	CC 1NF+-10%63V K2000 CERAMIC CAPACITOR	CC 0022.0784.00	PHILIPS_CO	2222 630		
C4	CC 1NF+-10%63V K2000 CERAMIC CAPACITOR	CC 0022.0784.00	PHILIPS_CO	2222 630		
C5	CC 10NF-20+50%7X8R4000 CAPACITOR	CC 0087.7525.00	VALVO	2222 640 51103		
C6	CC 1NF+-10%63V K2000 CERAMIC CAPACITOR	CC 0022.0784.00	PHILIPS_CO	2222 630		
C7	CC 1NF+-10%63V K2000 CERAMIC CAPACITOR	CC 0022.0784.00	PHILIPS_CO	2222 630		
C8	CC 10NF-20+50%7X8R4000 CAPACITOR	CC 0087.7525.00	VALVO	2222 640 51103		
C9	CC 1NF+-10%63V K2000 CERAMIC CAPACITOR	CC 0022.0784.00	PHILIPS_CO	2222 630		
C10	CC 1NF+-10%63V K2000 CERAMIC CAPACITOR	CC 0022.0784.00	PHILIPS_CO	2222 630		
C11	CC 10NF-20+50%7X8R4000 CAPACITOR	CC 0087.7525.00	VALVO	2222 640 51103		
C12	CK 100NF+-5%63VRD2,5H7MKT CAPACITOR	CK 0099.2930.00	SIEMENS	B 32 529-C104-J		
C13	CK 100NF+-5%63VRD2,5H7MKT CAPACITOR	CK 0099.2930.00	SIEMENS	B 32 529-C104-J		
D1	BJ UPD7225G00 LCD DRIV ALPHANUM.LCD CONTR/DRIVER	BJ 0392.5320.00	NEC	D7225G (JG)		
D2	BJ UPD7225G00 LCD DRIV ALPHANUM.LCD CONTR/DRIVER	BJ 0392.5320.00	NEC	D7225G (JG)		
D3	BJ UPD7225G00 LCD DRIV ALPHANUM.LCD CONTR/DRIVER	BJ 0392.5320.00	NEC	D7225G (JG)		
D4	BL PC74HC4094P 8ST.SH.REG 8-STAGE SHIFT&STORE REG.	0099.9711.00	PHILIPS_SE	(PC)74HC4094N(P)		
D5	BL PC74HC4094P 8ST.SH.REG 8-STAGE SHIFT&STORE REG.	0099.9711.00	PHILIPS_SE	(PC)74HC4094N(P)		
D6	BL PC74HC4094P 8ST.SH.REG 8-STAGE SHIFT&STORE REG.	0099.9711.00	PHILIPS_SE	(PC)74HC4094N(P)		
H1 ..17	AF HLMP1700 LED3 RT626N LED FUER/FOR S1-S17	0099.9134.00	QUALITY	HLMP-1700.L31S		
H18	AF HLMP1700 LED3 RT626N LED	0099.9134.00	QUALITY	HLMP-1700.L31S		
H20 ..23	EF 5V OHNE SOCKEL LAMP	EF 0063.6906.00	OSHINO	OL 715		
H26	AF HLMP1700 LED3 RT626N LED FUER/FOR S26	0099.9134.00	QUALITY	HLMP-1700.L31S		
J50	EM DREHIMPULSGEBER ROTARY MAGNET	EM 0336.3348.00				
L1	LD 0,33UH10%,22OHMO,830A CHOK	LD 0067.2805.00	DALE	IM2		
N1	BO CA3240AE 2XMOSFETOPAMP DUAL MOSFET-INPUT OPAMP	0302.7040.00	RCA	CA3240AE		
P1	BP AN 127 LCD-MODULE	0826.8587.00	VARITRONIX	R&S 0826.8587		
P2	BP AN 153 LC DISPLAY	0801.1420.00	DATA_MODUL	LC 01093 AN 153		
P3	BP AN 152 LC DISPLAY	0801.1437.00	DATA_MODUL	LC 01092 AN 152		
P5	VL WIRE-WRAP PIN L=8,7 WIRE-WRAP PIN	0088.4507.00	DUPONT CON	75403-001/75401-001		
R2	RL 0,60W 182 KOHM+-1%TK50 RESISTOR	RL 0083.2193.00	RESISTA	MK2		
R3	RL 0,60W 100KOHM+-1%TK50 RESISTOR	RL 0082.1764.00	RESISTA	MK2		
MEZ15	790 3PLU	Äi	Datum Date	Schaltteilliste für Parts list for	Sachnummer Stock No.	Blatt-Nr. Page
	ROHDE & SCHWARZ	17	03.05.99	ED TASTATUR ANZEIGE KEYBOARD DISPLAY	0801.1366.01 SA	1+

095.0028-0693

Für diese Unterlage behalten wir uns alle Rechte vor.

Kennz. Comp. No.	Benennung Designation	Sachnummer Stock No.	Hersteller Manufacturer	Bezeichnung Designation	enthalten in contained in
R4	RL 0,60W 100KOHM+-1%TK50 RESISTOR	RL 0082.1764.00	RESISTA	MK2	
R5	RL 0,60W 100KOHM+-1%TK50 RESISTOR	RL 0082.1764.00	RESISTA	MK2	
R6	RL 0,60W 182 KOHM+-1%TK50 RESISTOR	RL 0083.2193.00	RESISTA	MK2	
R7	RL 0,60W 100KOHM+-1%TK50 RESISTOR	RL 0082.1764.00	RESISTA	MK2	
R8	RL 0,60W 100KOHM+-1%TK50 RESISTOR	RL 0082.1764.00	RESISTA	MK2	
R9	RL 0,60W 100KOHM+-1%TK50 RESISTOR	RL 0082.1764.00	RESISTA	MK2	
R10	RL 0,60W 182 KOHM+-1%TK50 RESISTOR	RL 0083.2193.00	RESISTA	MK2	
R11	RL 0,60W 100KOHM+-1%TK50 RESISTOR	RL 0082.1764.00	RESISTA	MK2	
R12	RL 0,60W 100KOHM+-1%TK50 RESISTOR	RL 0082.1764.00	RESISTA	MK2	
R13	RL 0,60W 100KOHM+-1%TK50 RESISTOR	RL 0082.1764.00	RESISTA	MK2	
R14	RL 0,60W 681 KOHM+-1%TK50 RESISTOR	RL 0083.2735.00	PHILIPS_CO	MRS 25	
R15	RL 0,60W 100KOHM+-1%TK50 RESISTOR	RL 0082.1764.00	RESISTA	MK2	
R16	RL 0,60W 22,1KOHM+-1%TK50 RESISTOR	RL 0083.1545.00	RESISTA	MK2	
R17	RL 0,60W 47,5KOHM+-1%TK50 RESISTOR	RL 0083.1800.00	RESISTA	MK2	
R18	RS 0,5W5KOHM+-10%10X10X5 CERMET POTENTIOMETER T	RS 0247.7890.00	BI_TECHNOL	72PM	
R19	RL 0,60W 5,62KOHM+-1%TK50 RESISTOR	RL 0082.2190.00	PHILIPS_CO	MRS 25	
R21	RL 0,60W 1KOHM+-1%TK50 RESISTOR	RL 0082.2160.00	PHILIPS_CO	MRS 25	
..38	R40	RL 0,60W 56,2KOHM+-1%TK50 RESISTOR	RL 0082.2231.00	RESISTA	MK2
..46	R47	RL 0,60W 56,2KOHM+-1%TK50 RESISTOR	RL 0082.2231.00	RESISTA	MK2
	R48	RL 0,60W 1KOHM+-1%TK50 RESISTOR	RL 0082.2160.00	PHILIPS_CO	MRS 25
	R49	RL 0,60W 1KOHM+-1%TK50 RESISTOR	RL 0082.2160.00	PHILIPS_CO	MRS 25
	R50	RL 0,60W 3,32KOHM+-1%TK50 RESISTOR	RL 0083.0990.00	RESISTA	MK2
	R51	RL 0,60W 3,32KOHM+-1%TK50 RESISTOR	RL 0083.0990.00	RESISTA	MK2
	R52	RL 0,60W 332 OHM+-1%TK50 RESISTOR	RL 0083.0255.00	RESISTA	MK2
	R56	RL 0,60W 1KOHM+-1%TK50 RESISTOR	RL 0082.2160.00	PHILIPS_CO	MRS 25
S1	SB TASTER 1XA OHNE KNOFF PUSHBUTTON SWITCH	SB 0238.3850.00	SIEMENS	V42 263-D32-M2	
..17	S18	SB TASTER 1XA OHNE KNOFF PUSHBUTTON SWITCH	SB 0238.3850.00	SIEMENS	V42 263-D32-M2
..25	S26	SB TASTER 1XA OHNE KNOFF PUSHBUTTON SWITCH	SB 0238.3850.00	SIEMENS	V42 263-D32-M2
	S27	SB TASTER 1XA OHNE KNOFF PUSHBUTTON SWITCH	SB 0238.3850.00	SIEMENS	V42 263-D32-M2
..45	V20	AK BCY59IX N 45V 200MA TRANSISTOR	AK 0010.5163.00	VALVO	BCY59IX
	V21	AL BD139 N 80V 1A0 TRANSISTOR	AL 0274.8994.00	VALVO	BD139
X78	DY STECKEREINHEIT CONNECTOR UNIT	0801.1472.00			

MEZ15

790 3PLU

Äi

Datum
Date

Schaltteilliste für
Parts list for

Sachnummer
Stock No.

Blatt-Nr.
Page



ROHDE & SCHWARZ

17

03.05.99

ED TASTATUR ANZEIGE
KEYBOARD DISPLAY

0801.1366.01 SA

2-

095.0026-0693



ROHDE & SCHWARZ

SERVICEUNTERLAGEN

Baugruppe "FRN-Loop"

801.3917.02

Printed in West Germany

ENGLISH SERVICE MANUAL FOLLOWS FIRST COLOURED DIVIDER

Inhaltsübersicht

	Seite
5	Serviceanleitung Baugruppe "FRN-Loop" 5.1
5.1	Funktionsbeschreibung 5.1
5.1.1	Aufbereitung der Referenzfrequenz 5.1
5.1.2	VCO- und FM-Zumischung 5.2
5.1.3	Fractional-N-Regelschleife 5.2
5.2	Prüfen und Abgleichen 5.5
5.2.1	50-MHz-Quarzoszillator (L432) 5.5
5.2.2	Referenzfrequenz Ausgang (X202) 5.5
5.2.3	Prüfen der Referenzfrequenz-Regelschleife 5.5
5.2.4	Abgleich des 150-MHz-Bandfilters 5.5
5.2.5	Prüfen und Abgleichen des 158...168,9-MHz-VCOs .. 5.6
5.2.6	Abgleich der 208...219-MHz-Bandfilter 5.6
5.2.7	Prüfen des Ausgangssignals (X210) sowie des Mischers E330 5.7
5.2.8	Prüfen der Regelschleife 5.8
5.2.9	Einstellen und Prüfen der Kompensation (R91, R94) 5.8
5.2.10	Prüfen des Alarms 5.9
5.2.11	Prüfen der Nebenwellen an X205 und X210 5.9
5.2.12	Abgleich der Referenzfrequenz (R542) 5.10
5.3	Fehlersuche 5.11
5.4	Schnittstellen 5.14
	Schaltteillisten
	Stromläufe
	Bestückungspläne

5.1 Funktionsbeschreibung

(Hierzu Stromlauf 801.3917 S und Bild 5-3)

Die Baugruppe "FRN-Loop" enthält die Referenzfrequenzaufbereitung sowie einen Oszillator, der in einer "Fractional-N-Regelschleife" die Feinauflösung des Geräts erzeugt. Außerdem befindet sich auf der Druckschaltung die Zumischung des FM-Oszillators.

5.1.1 Aufbereitung der Referenzfrequenz

Der 50-MHz-Quarzoszillator arbeitet mit einem FET V435 in Gate-Schaltung. Von diesem Oszillator werden durch Vervielfachen bzw. Teilen die für das Gerät benötigten Festfrequenzen abgeleitet.

Über den Emitterfolger V460 gelangt das Quarzsignal zum Vervielfacher V465 mit einem zweikreisigen Bandfilter, welches die dritte Oberwelle aussiebt. Die Ausgangsspannung des Filters wird auf die beiden Trennverstärker V485, V490 aufgeteilt. Das 150-MHz-Signal dient einmal als LO für den Mischbereich sowie zum Abmischen des VCO (E330).

Der ECL-Line-Receiver D24 entkoppelt den Oszillator von dem nachfolgenden Teiler D20, welcher die Quarzfrequenz auf 10 und 5 MHz herunterteilt. Dieses Signal steht nach Tiefpaßfilterung an X201 als Referenzfrequenz zur Verfügung. Durch weitere Teilung (D22) erhält man 100 kHz als Referenz für die Fractional-N-Regelschleife sowie 50 kHz (X203) für die FM-Oszillator-Regelung.

In der Betriebsart "REF EXT" wird das Signal an X201 von N550 auf TTL-Pegel verstärkt. Über den Frequenz-Phasendetektor D23 und den Regelverstärker N530 wird der Quarzoszillator auf diese Frequenz synchronisiert. In der Betriebsart "REF INT" wird die Regelspannung durch eine einstellbare Vorspannung ersetzt.

5.1.2 VCO- und FM-Zumischung

Der VCO in Clappschaltung mit einem FET (V275) als aktives Element schwingt von 158...168,9 MHz. Nach einer Trennstufe V290 wird das Signal auf die beiden Verstärker V315, V325 mit nachfolgendem Mischer aufgeteilt.

In E330 wird der VCO auf eine Zwischenfrequenz von 8...18,9 MHz abgemischt. Nach Tiefpaßfilterung und Verstärkung auf TTL-Pegel gelangt das Signal zur Fractional-N-Regelschleife.

Im Gegentaktmischer mit V360, V370 wird der VCO mit 50 MHz zur Ausgangsfrequenz 208...218,9 MHz hochgemischt. Mit dem Diodenschalter V500...V503 kann dabei zwischen dem 50-MHz-FM-Oszillator sowie der Quarzfrequenz umgeschaltet werden. Zwischen Mischer und nachfolgendem Verstärker befindet sich ein Mitlaufbandfilter, das von der VCO-Regelspannung gesteuert wird. Ein festes Bandfilter am Ausgang der Baugruppe verbessert die Selektion.

5.1.3 Fractional-N-Regelschleife

Funktionsprinzip

Bei einem Fractional-N-Teiler erreicht man durch zeitweiliges Umschalten des Teilungsfaktors von N auf N+1, daß die VCO-Frequenz ein gebrochenes Vielfaches der Referenzfrequenz ist, d.h. $f_{VCO} = N,F \cdot f_{REF}$. Durch dieses Verfahren erreicht man mit einer Regelschleife eine hohe Frequenzauflösung.

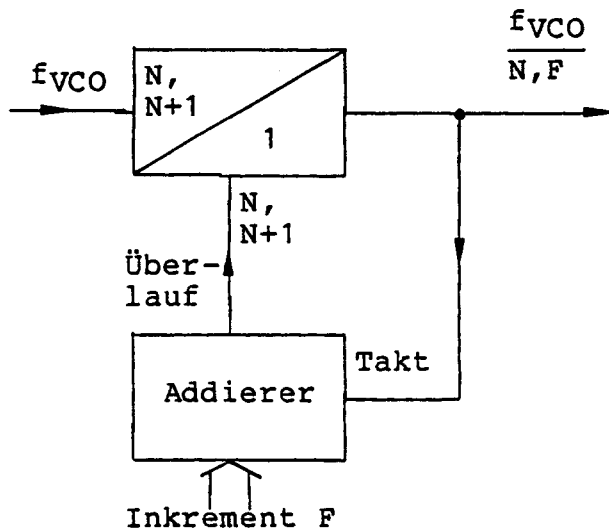


Bild 5-1 Blockschaltbild N,F-Teiler

In einem Addierer wird mit jedem Ausgangsimpuls des Teilers ein Inkrement F aufaddiert. Erreicht der Addierer eine bestimmte Grenze, so wird für eine Referenzfrequenzperiode der Teilungsfaktor auf N+1 umgeschaltet.

Beispiel:

$$F = 0,1 \Rightarrow \bar{N} = \frac{(9 \times N) + (N + 1)}{10} = N,1 = N,F$$

Durch das Umschalten des Teilungsfaktors entsteht eine Phasenstörung, die über die Regelschleife zu einer Störmodulation des Oszillators führt. Mit einer Kompensation läßt sich der Nebenwellenabstand um 60 bis 80 dB verbessern.

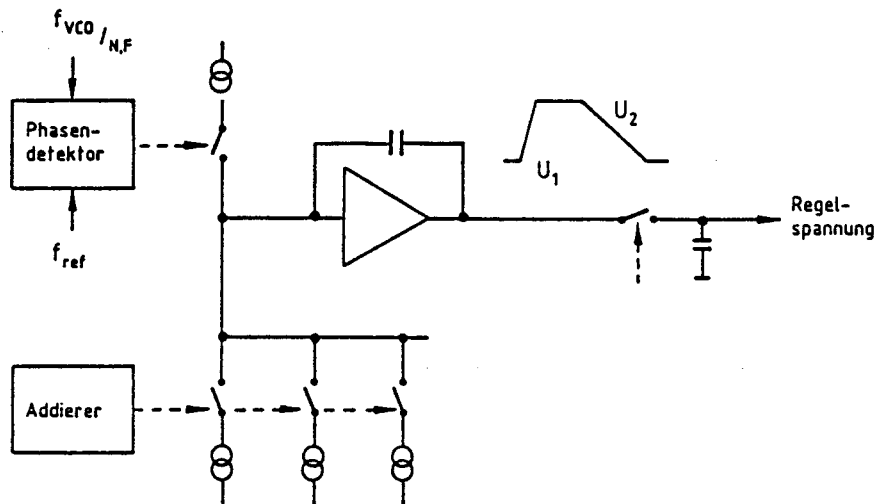


Bild 5-2 Blockschaltbild N,F-Regelschleife

Der Phasendetektor schaltet mit seinem Ausgangssignal eine Stromquelle, die den Integrationskondensator von U_1 auf U_2 auflädt. Diese Spannung wird von der Sample-and-Hold-Schaltung abgetastet. Danach entladen die Kompensationsstromquellen den Integrator auf U_1 . Die Einschaltdauer dieser Stromquellen wird von dem jeweiligen Stand im Addierer gesteuert, wobei jeder Stelle eine eigene Stromquelle zugeordnet ist. Zusätzlich sorgt eine Biasstromquelle für eine konstante Phasenverschiebung in der Regelschleife.

Schaltungsbeschreibung

Das Gate-Array D2 enthält eine Schnittstelle zur Datenübertragung, den N,F-Teiler mit 6stelligem Addierer sowie die Ansteuerung für die Kompensationsstromquellen der ersten vier Nachkommastellen.

D6 bis D11 steuern den Ablauf der Kompensation einschließlich der Biasstromquelle sowie die Sample-and-Hold-Schaltung. D12, D13 synchronisieren die Kompensationsimpulse auf den VCO-Takt. Das J-K-Flipflop D14 arbeitet als Frequenz-Phasendetektor.

Die Stromquellen bestehen aus FETs, deren Strom über einen Operationsverstärker geregelt wird. Zum Schalten der Ströme werden Diodenumschalter verwendet, die mit TTL-Pegel angesteuert werden. Um eine möglichst hohe Temperaturstabilität zu erreichen, befinden sich die wichtigsten strombestimmenden Widerstände in einem Array.

Eine zweifache Sample-and-Hold-Schaltung (V140, V141), die vom Pegelwandler V160, V165, N146 angesteuert wird, tastet die Ausgangsspannung des Integrators N130 im 100-kHz-Takt ab. Mit N180 wird in Abhängigkeit vom Teilungsfaktor die Regelverstärkung umgeschaltet sowie eine Voreinstellspannung addiert. Der Fensterkomparator N200 überwacht die Regelspannung der Fractional-N- sowie der Referenzfrequenz-Regelschleife.

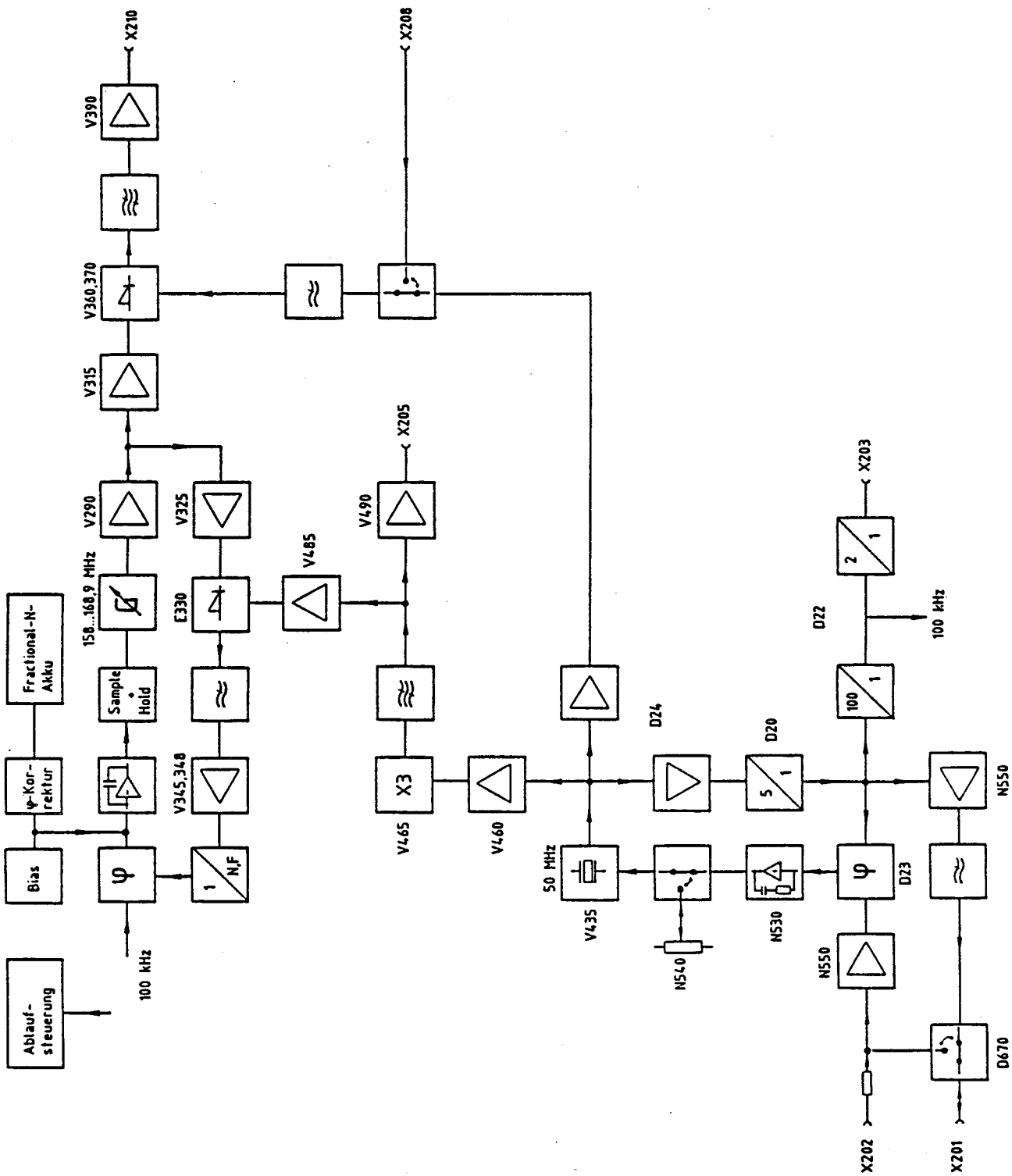


Bild 5-3 Blockschaltbild FRN-Loop

5.2 Prüfen und Abgleichen

5.2.1 50-MHz-Quarzoszillator (L432)

Einstellung am Gerät: REF INT

- Mit R542 Voreinstellspannung auf Maximum stellen (P23 ≈ 17 V)
- Mit L432 Spannung an R423 auf Minimum abgleichen (7,8...8,2 V bei schwingendem Oszillator).

5.2.2 Referenzfrequenz Ausgang (X202)

Einstellung am Gerät: REF INT

- Mit einem Leistungsmesser Signal an X202 messen.

Sollpegel: >-3 dBm bei 5 oder 10 MHz. (Brücke X13.AB: 5 MHz, X13.BC: 10 MHz).

5.2.3 Prüfen der Referenzfrequenz-Regelschleife

Einstellung am Gerät: REF EXT

- Einen Meßsender (Frequenzfehler $<10^{-6}$) an X202 anschließen: Pegel -7 dBm.
- Bei den folgenden Einstellungen die Regelspannung an P23 prüfen.

Tabelle 5-1

$f_{REF EXT}/MHz$	X11	U_{P23}/V
10,0000	B-C	9 ±2,5
10,0001	B-C	13 ±2,5
9,9999	B-C	5 ±2,5
5,0000	A-B	9 ±2,5

5.2.4 Abgleich des 150-MHz-Bandfilters

- Mit einem Spektrumanalysator das Signal an X205 messen.
- L467, L471, L498 auf Maximum bei 150 MHz abgleichen.
- Abgleich L467, L471 wiederholen.
Sollpegel an X205: 0 ±2 dBm.

5.2.5 Prüfen und Abgleichen des 158...168,9-MHz-VCOs

Zum Abgleich des VCOs muß unbedingt der untere Schirmdeckel aufgeschraubt sein. Ein Netzgerät (0...20 V) an die Brücke X3.BC (Kurzschlußbrücke entfernt, C→Masse) sowie einen Frequenzzähler an X5 (B→Masse) anschließen. Abgleich des VCOs mit C270 und C272 auf folgenden Frequenzbereich:

$$U_{X3} = +3 \text{ V}, \quad f = 158 \pm 0,2 \text{ MHz}$$

$$U_{X3} = +18 \text{ V}, \quad f = 168,9 \pm 0,2 \text{ MHz}$$

5.2.6 Abgleich der 208...219-MHz-Bandfilter

Zum Abgleich der Bandfilter muß unbedingt der untere Schirmdeckel aufgeschraubt sein.

Mitlaufbandfilter

- Abstimmspannung aus einem Netzgerät (0...20 V) an X3.BC (Kurzschlußbrücke entfernt, C→Masse) einspeisen.
- Mit einem Serviceadapterkabel Wobbelmeßsender an X6 (B→Masse) sowie Meßkopf mit 50- Ω -Abschluß an Brücke X8.A-B (Kurzschlußbrücke entfernt, A→Masse) anschließen.
- Potentiometer R380, R382 in Mittelstellung bringen.
- Bei $U = +3 \text{ V}$ Bandfilter mit L375, L386 auf $f_0 = 208 \text{ MHz}$, für $U = +18 \text{ V}$ Bandfilter mit R380, R382 auf $f_0 = 219 \text{ MHz}$ abgleichen.
- Abgleich nochmals wiederholen. Durchgangsdämpfung des Bandfilters: $1 \pm 3 \text{ dB}$.

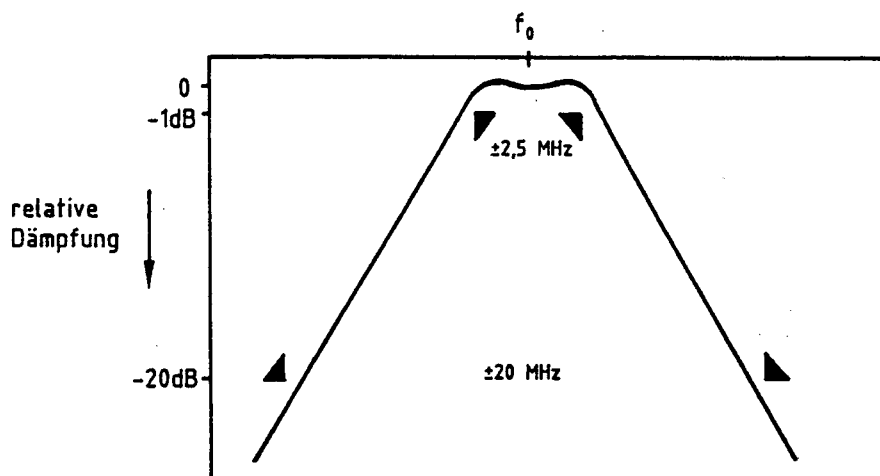


Bild 5-4 Filtersollkurve

208...219-MHz-Bandfilter

- Mit einem Serviceadapterkabel Wobbelmeßsender an Brücke X8.C-D sowie Meßkopf mit 50- Ω -Abschluß an X210 anschließen.
- Mit L411, L414 Filter auf Sollkurve abgleichen. Durchgangsdämpfung des Bandfilters: 6 ± 1 dB.

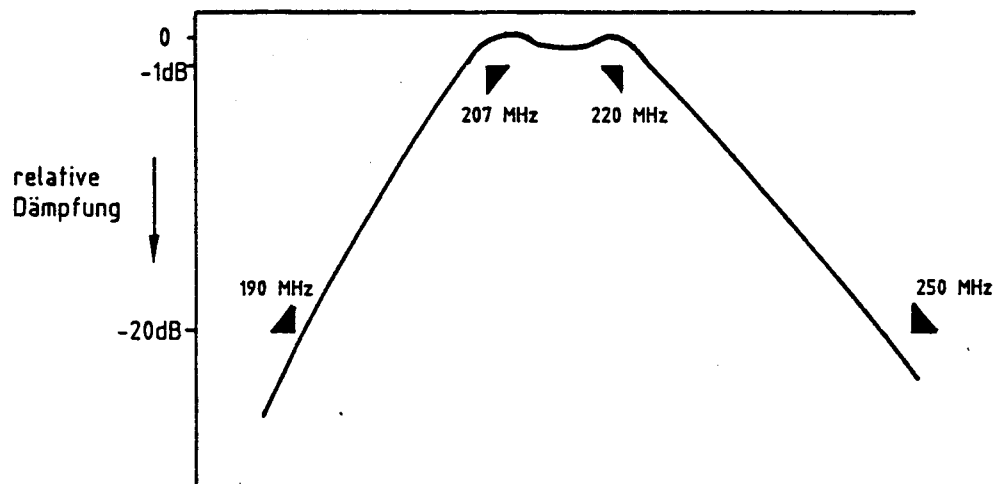


Bild 5-5 Filtersollkurve

5.2.7 Prüfen des Ausgangssignals (X210) sowie des Mischers E330

- Brücke X6 und X8.B-C einstecken.
- Einstellung am Gerät: FM aus.
- Mit einem Spektrumanalysator Signal an X210 messen.
- L351 auf maximalen Ausgangspegel abgleichen.
- Abstimmspannung am Netzgerät (siehe Kapitel 5.2.6) von 3...18 V variieren, Pegel im gesamten Bereich -2 ± 2 dBm (Raumtemperatur).
- Mit einem Oszilloskop Signal an X14.A messen.
- Spannung am Netzgerät wieder von 3...18 V variieren, Pegel im gesamten Bereich: 8...19 MHz, TTL.

5.2.8 Prüfen der Regelschleife

- Brücke X3 auf A-B stecken.
- Bei den folgenden Einstellungen Regelspannung an P20 messen.

Tabelle 5-2

Frequenz/MHz	Spannung (U_p)/V
520	3 ±0,2
533	10,5 ±0,5
519,9	18 ±0,2

5.2.9 Einstellen und Prüfen der Kompensation (R91, R94)

- Die Baugruppe muß für diese Einstellung mit der Referenz des Spektrumanalysators extern synchronisiert werden (X201, $f = 10$ MHz, $P > -7$ dBm).
- Der untere Schirmdeckel muß aufgeschraubt sein.
- Brücke X15 auf A-B stecken.
- Einstellung am Gerät: FM aus, REF EXT
- Spektrumanalysator an X210 anschließen.
- Einstellung: Referenz -2 dBm,
RES BW 100 Hz,
Frequency Span 0 Hz,
Sweep Time 3 s
- Bei folgenden Einstellungen den Pegel der Nebenwelle auf < -83 dBm abgleichen.

Tabelle 5-3

Frequenzeinstellung am Gerät/MHz	Frequenzeinstellung am Analysator/MHz	Abgleich
520,0025	208,002	R91
520,00025	208,0011	R94

- Einstellung am Spektrumanalysator: RES BW 30 Hz,
Frequency Span 10 kHz
- Bei den in Tabelle 5-4 angegebenen Frequenzeinstellungen die Nebenwellen im Abstand $n \cdot 1$ kHz zum Träger kontrollieren.

Tabelle 5-4

Frequenzeinstellung am Gerät/MHz	Frequenzeinstellung am Analysator/MHz	α /dBm
520,000025	208	<-80
624,000003	208	<-80
545,0025	218	<-76
545,00025	218	<-76
545,000025	218	<-76
648,000003	216	<-76

5.2.10 Prüfen des Alarms

→ Voltmeter an X1.A3 anschließen.

N,F-Regelspannung

- Netzgerät (0...20 V) an Brücke X3.B-C (Kurzschlußbrücke entfernt, C→Masse) anschließen.
- Für $U = 10$ V Spannung am Voltmeter >4 V, für $U = 0,5$ V und $20,5$ V < 1 V.

Referenzfrequenz-Regelspannung

- Netzgerät an Brücke X12.A-B (Kurzschlußbrücke entfernt, A→Masse) anschließen.
- Prüfung wie bei N,F-Regelspannung durchführen.

5.2.11 Prüfen der Nebenwellen an X205 und X210

- Zu dieser Prüfung muß der obere und untere Schirmdeckel aufgeschraubt sein.
- Die Baugruppe wird mit der Referenz des Spektrumanalysators extern synchronisiert (X201, $f = 10$ MHz, $P > -7$ dBm).
- Einstellung am Gerät: FM aus, REF EXT
- Mit einem Spektrumanalysator das Signal an X205 bzw. X210 messen. Bei den in Tabelle 5-5 angegebenen Einstellungen den Nebenwellenabstand kontrollieren.

Tabelle 5-5

Frequenzeinstellung am Gerät/MHz	Frequenzeinstellung Analysator/MHz	Ausgang	α /dBm
520	158	X208	<-84
520	216	X208	<-56
520	266	X208	<-64
532,5	189	X208	<-84
532,5	239	X208	<-84
545	188	X208	<-84
545	136	X208	<-84
-	100	X205	<-75
-	200	X205	<-80

5.2.12 Abgleich der Referenzfrequenz (R542)

- Zu diesem Abgleich muß der obere und untere Schirmdeckel aufgeschraubt sein.
- Das Gerät muß vorher 1 Stunde warmgelaufen sein.
- Einstellung am Gerät REF INT.
- Frequenzzähler mit genauer Referenz an X201 anschließen.
- Mit R542 Frequenz auf 10 MHz \pm 1 Hz abgleichen.

5.3 Fehlersuche

50-MHz-Quarzoszillator

V435.S : $\approx +2V$ (DC)
V460.E : 50 MHz, 5 V (U_{SS}) mit Oszilloskop
P21 : 50 MHz, TTL mit Oszilloskop

150-MHz-Trennverstärker

V485.C : $9,5 \pm 1 V$
V490.C : $9,5 \pm 1 V$
X9 : 150 MHz, -10 ± 2 dBm




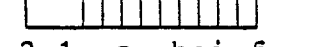
158...168,9-MHz-VCO und Trennverstärker

V275.S : $\approx +2 V$ (DC)
V290.C : $6,5 \pm 1,5 V$
V300.K : $0,4 \pm 0,2 V$
V315.C : $7,5 \pm 1,5 V$
V325.C : $9,5 \pm 1 V$
X4 : 158...168,9 MHz, $-7,5 \pm 2$ dBm
X5 : 158...168,9 MHz, -10 ± 2 dBm
X14 : 8...19 MHz, TTL

Gegentaktmischer und Ausgangsverstärker

V360,370.S: $3,5 \pm 1 V$
V390.C : $8 \pm 1,5 V$
X8 : -2 ± 1 dBm
X10 : 50 MHz, -21 ± 1 dBm
V400.K : $0,5 \pm 0,2 V$

Digitalteil N,F-Regelschleife

P1 : schmaler TTL-Puls, () , 100 kHz
P3 : TTL-Puls () , Länge 3,2 μs bei $f = 525$ MHz
P4 : TTL-Puls () , Länge ≈ 1 μs bei $f = 525$ MHz
P5 : TTL-Puls () ,
Länge 0,3...2,1 μs , bei $f = 525,025$ MHz
P6 : TTL-Puls wie bei P5, $f = 525,0025$ MHz
P7 : TTL-Puls wie bei P5, $f = 525,00025$ MHz
P8 : TTL-Puls wie bei P5, $f = 525,000025$ MHz


Bias-Stromquellen

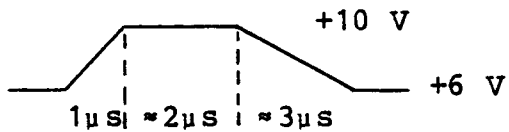
P9, P10, P11, P12: -9 ± 2 V

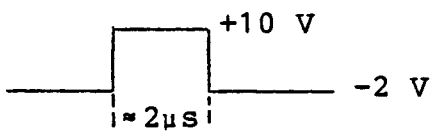
Analogteil N,F-Regelschleife

P13 : $+4,9 \pm 0,1$ V

P14 : $2,5 \pm 0,1$ V

P16 : TTL-Puls, (), Länge ≈ 2 μ s

P15 :  $f = 525$ MHz

P18 :  $f = 525$ MHz

P19, P20:

f/MHz	U _{P19}	U _{P20}
520	$\approx 4,9$	3
530	≈ 17	≈ 9
532,5	$\approx 8,8$	$\approx 10,4$
547	$\approx 18,9$	18

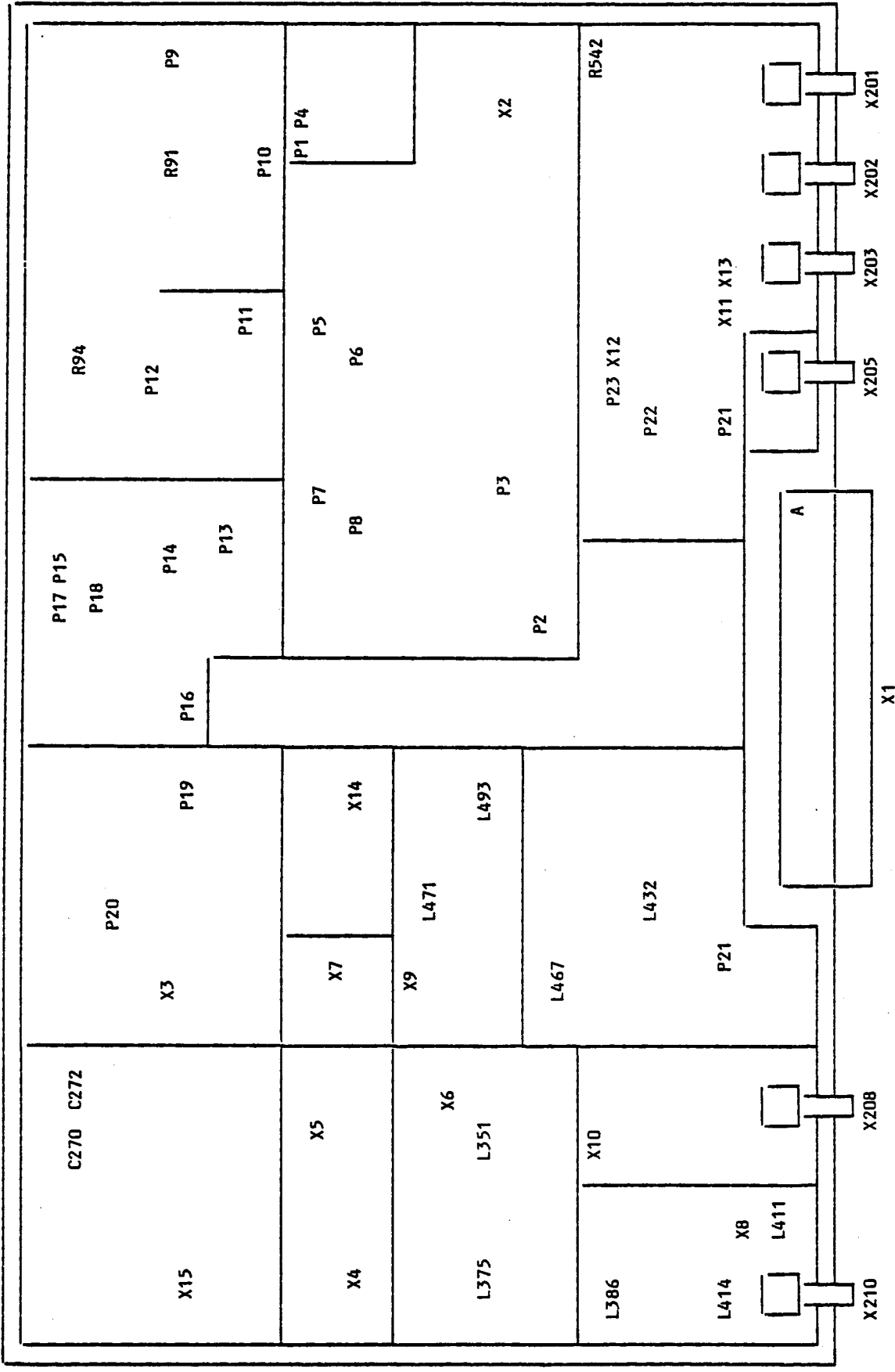


Bild 5-6 Lage der Prüf- und Trimpunkte

5.4 Schnittstellen

Analoge Schnittstellen

Anschluß	Funktion	Frequenz	Pegel
X201	HF-Ausgang bei REF INT HF-Eingang bei REF EXT	5 oder 10 MHz 5 oder 10 MHz	>-3 dBm >100 mV _{eff}
X202	HF-Eingang	10 MHz	>500 mV _{SS}
X203	HF-Ausgang	50 kHz	TTL
X205	HF-Ausgang	150 MHz	0 ±2 dBm
X208	HF-Eingang	50 MHz	ECL
X210	HF-Ausgang	208..218,9 MHz	-3 ±2 dBm
X1.A23	Diagnose-Ausgang	DC	0...5 V
X1.A27	Diagnose-Eingang OCXO-Thermostat	DC	4...6 V

Digitale Schnittstellen

Anschluß	Funktion	Bemerkung
X1.A6	Strobe	
X1.A8	Dateneingang	
X1.A10	Clock	
X1.A3	Loop Control	FRN- und Referenzfrequenz-Regelschleife



ROHDE & SCHWARZ

SERVICE DOCUMENTS

FRN Loop Module

801.3917.02

Contents

	Page
5	<u>Service Manual for FRN Loop Module</u> 5.1
5.1	Function Description 5.1
5.1.1	Conditioning of the Reference Frequency 5.1
5.1.2	VCO and FM Mixing 5.2
5.1.3	Fractional-N Control Loop 5.2
5.2	Checking and Adjustments 5.5
5.2.1	50-MHz Crystal Oscillator (L432) 5.5
5.2.2	Reference Frequency Output (X202) 5.5
5.2.3	Checking the Reference Frequency Control Loop ... 5.5
5.2.4	Adjustment of the 150-MHz Bandpass Filter 5.5
5.2.5	Checking and Adjustment of the 158 to 168.9-MHz VCO 5.6
5.2.6	Adjustment of the 208 to 219-MHz Bandpass Filter 5.6
5.2.7	Checking the Output Signal (X210) and the Mixer E330 5.7
5.2.8	Checking the Control Loop 5.8
5.2.9	Adjusting and Checking the Compensation (R91, R94) 5.8
5.2.10	Checking the FRN Loop Monitoring 5.9
5.2.11	Checking the Nonharmonics at X205 and X210 5.9
5.2.12	Adjustment of Reference Frequency (R542) 5.10
5.3	Troubleshooting 5.11
5.4	Interfaces 5.14
	Component lists
	Circuit diagrams
	Component layout diagrams

5.1 Function Description

(See circuit diagram 801.3917 S and Fig. 5-3)

The FRN loop module conditions the reference frequency and contains an oscillator which generates the fine resolution of the instrument in a fractional-N control loop. Mixing of the FM oscillator also takes place on the circuit board.

5.1.1 Conditioning of the Reference Frequency

The 50-MHz crystal oscillator operates with an FET V435 in common gate configuration. The fixed frequencies required for the instrument are derived from this oscillator by multiplication or division.

The crystal signal is applied via the emitter follower V460 to the multiplier V465 with a double-tuned bandpass which filters out the third harmonic. The output voltage of the filter is divided between the two buffer amplifiers V485, V490. The 150-MHz signal is used as LO for the mixer range and to demix the VCO (E330).

The ECL line receiver D24 decouples the oscillator from the following divider D20 which divides the crystal frequency down to 10 MHz and 5 MHz. This signal is available at X201 as the reference frequency following lowpass filtering. Further division (D22) results in 100 kHz as the reference for the fractional-N control loop and 50 kHz (X203) for the FM oscillator control.

The signal at X201 is amplified to TTL level by N550 in REF EXT mode. The crystal oscillator is synchronized to this frequency via the frequency phase detector D23 and the control amplifier N530. The control voltage is replaced by an adjustable bias voltage in the REF INT mode.

5.1.2 VCO and FM Mixing

The VCO in a Clapp circuit with an FET (V275) as the active element oscillates from 158 to 168.9 MHz. Following a buffer V290, the signal is divided between the two amplifiers V315, V325 with a subsequent mixer.

The VCO is reduced in E330 to an intermediate frequency of 8 to 18.9 MHz. The signal is applied to the fractional-N control loop following lowpass filtering and amplification to TTL level.

The VCO is increased by 50 MHz to an output frequency of 208 to 218.9 MHz in the balanced mixer with V360, V370. The diode switch V500 to V503 can be used to switch between the 50-MHz FM oscillator and the crystal frequency. A tracking bandpass filter controlled by the VCO control voltage is located between the mixer and the subsequent amplifier. The selection is improved by a fixed bandpass filter at the module output.

5.1.3 Fractional-N Control Loop

Principle of operation

Occasional switching of the division factor from N to N+1 in a fractional-N divider sets the VCO frequency to a fractional multiple of the reference frequency, i.e. $f_{VCO} = N, F \cdot f_{REF}$. This method results in a high frequency resolution with a control loop.

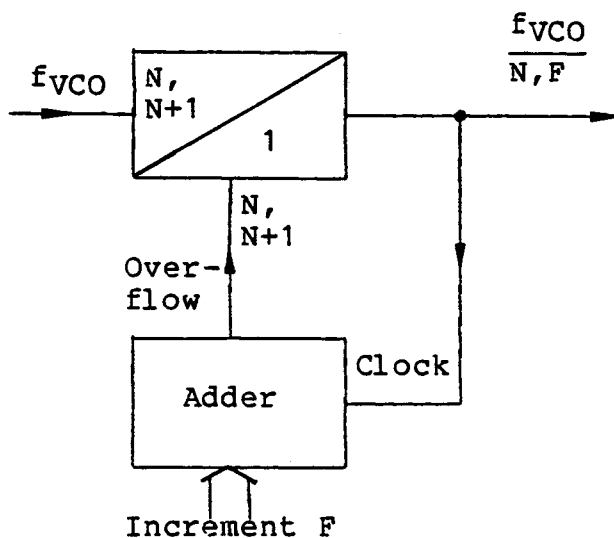


Fig. 5-1 Block diagram of N,F divider

An increment F is added upon each output pulse of the divider. Once the adder reaches a certain limit, the dividing factor is switched to N+1 for a reference frequency period.

Example:

$$F = 0.1 \Rightarrow \bar{N} = \frac{(9 \times N) + (N + 1)}{10} = N, 1 = N, F$$

A phase error is produced when the dividing factor is switched over which leads to a spurious modulation of the oscillator via the control loop. The suppression of nonharmonics can be improved by 60 to 80 dB using a compensation circuit.

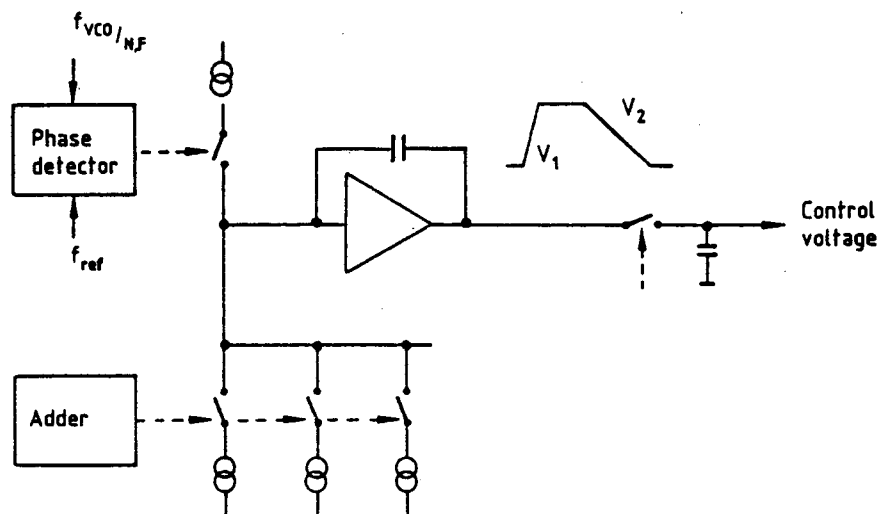


Fig. 5-2 Block diagram of N,F control loop

The output signal of the phase detector switches a current source which charges the integration capacitor from V_1 to V_2 . This voltage is sampled by the sample-and-hold circuit. The compensation current sources then discharge the integrator to V_1 . The switch-on duration of these current sources is controlled by the respective state in the adder where a current source is assigned to each position. In addition, a bias current source produces a constant phase offset in the control loop.

Circuit description

The gate array D2 contains an interface for data transmission, the N,F divider with a 6-digit adder and the control circuit for the compensation current sources of the first four digits following the decimal point.

D6 to D11 control the compensation sequence including the bias current source and the sample-and-hold circuit.

D12 and D13 synchronize the compensation pulses with the VCO pulse. The J-K flip-flop D14 operates as a frequency phase detector.

The current sources are FETs whose current is controlled via an operational amplifier. Diode switches controlled by TTL level are used to switch the currents. The most important resistors which determine the current are fitted in an array to achieve the best temperature stability.

A double sample-and-hold circuit (V140, V141) triggered by the level converter V160, V165, N146 scans the output voltage of the integrator N130 in a 100-kHz cycle. The control gain is switched over and a constant voltage added by N180 depending on the dividing factor. The window comparator N200 monitors the control voltage of the fractional-N control loop and the reference frequency control loop.

5.2 Checking and Adjustments

5.2.1 50-MHz Crystal Oscillator (L432)

Instrument setting: REF INT

- Set the constant voltage to a maximum using R542 (P23 ≈17 V).
- Adjust the voltage at R423 to a minimum using L432 (7.8 to 8.2 V with a vibrating oscillator).

5.2.2 Reference Frequency Output (X202)

Instrument setting: REF INT

- Measure the signal at X202 using a power meter.

Correct level: >-3 dBm at 5 or 10 MHz. (Jumper X13.AB: 5 MHz, X13.BC: 10 MHz).

5.2.3 Checking the Reference Frequency Control Loop

Instrument setting: REF EXT

- Connect a signal generator (frequency error $<10^{-6}$) to X202: level -7 dBm.
- Check the control voltage at P23 at the following settings.

Table 5-1

f _{REF EXT} /MHz	X11	V _{p23} /V
10.0000	B-C	9 ±2.5
10.0001	B-C	13 ±2.5
9.9999	B-C	5 ±2.5
5.0000	A-B	9 ±2.5

5.2.4 Adjustment of the 150-MHz Bandpass Filter

- Measure the signal at X205 using a spectrum analyzer.
- Adjust L467, L471, L498 to a maximum at 150 MHz.
- Repeat the adjustment of L467, L471.
Correct level at X205: 0 ±2 dBm.

5.2.5 Checking and Adjustment of the 158 to 168.9-MHz VCO

The bottom screen cover must always be screwed on when adjusting the VCO. Connect a power supply unit (0 to 20 V) to jumper X3.BC (short-circuit jumper removed, C→ground) and a frequency meter to X5 (B→ground). Adjust the VCO to the following frequency ranges using C270 and C272:

$$V_{X3} = +3 \text{ V}, \quad f = 158 \pm 0.2 \text{ MHz}$$

$$V_{X3} = +18 \text{ V}, \quad f = 168.9 \pm 0.2 \text{ MHz}$$

5.2.6 Adjustment of the 208 to 219-MHz Bandpass Filter

The bottom shield must always be screwed on when adjusting the bandpass filter.

Tracking bandpass filter

- Feed in a tuning voltage from a power supply unit (0 to 20 V) to X3.BC (short-circuit jumper removed, C→ground).
- Connect a sweep signal generator to X6 (B→ground) using a service adapter cable and a test probe with a 50- Ω terminator to jumper X8.A-B (short-circuit jumper removed, A→ground).
- Set potentiometer R380, R382 into centre position.
- Adjust bandpass filter to $f_0 = 208$ MHz at +3 V using L375, L386, and to $f_0 = 219$ MHz at +18 V using R380, R382.
- Repeat adjustment. Transmission loss of bandpass filter: 1 \pm 3 dB.

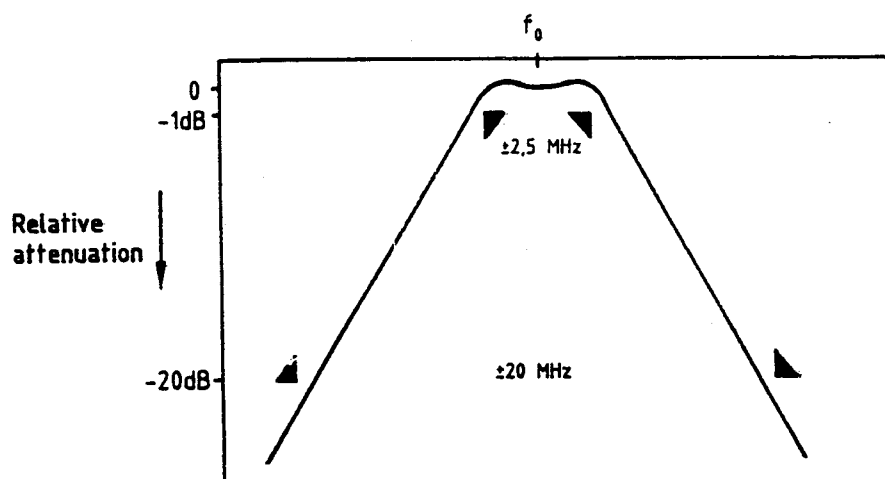


Fig. 5-4 Nominal filter response

208 to 219-MHz bandpass filter

- Connect a sweep signal generator to jumper X8.C-D using a service adapter cable and a test probe with a 50- Ω terminator to X210.
- Adjust the filter to the nominal filter response using L411, L414. Transmission loss of bandpass filter: 6 ± 1 dB.

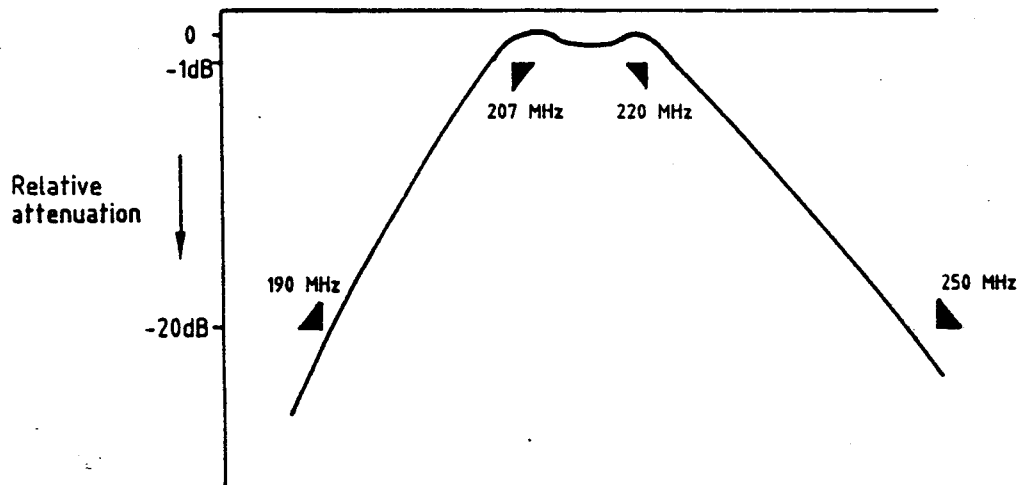


Fig. 5-5 Nominal filter response

5.2.7 Checking the Output Signal (X210) and the Mixer E330

- Insert jumpers X6 and X8.B-C.
- Instrument setting: FM off.
- Measure the signal at X210 using a spectrum analyzer.
- Adjust to maximum output level using L351.
- Vary the tuning voltage on the power supply unit (see Section 5.2.6) from 3 to 18 V; level in complete range: -2 ± 2 dBm (room temperature).
- Measure the signal at X14.A using an oscilloscope.
- Vary the voltage on the power supply unit again from 3 to 18 V; level in complete range: 8 to 19 MHz, TTL.

5.2.8 Checking the Control Loop

- Insert jumper X3 to A-B.
- Measure the control voltage at P20 at the following settings.

Table 5-2

Frequency/MHz	Voltage V
520	3 ±0.2
533	10.5 ±0.5
519.9	18 ±0.2

5.2.9 Adjusting and Checking the Compensation (R91, R94)

- The module must be externally synchronized for this setting with the reference of the spectrum analyzer (X201, $f = 10$ MHz, $P > -7$ dBm).
- The bottom shield must be screwed on.
- Insert jumper X15 to A-B.
- Instrument setting: FM off, REF EXT
- Connect spectrum analyzer to X210.
- Setting: reference -2 dBm,
RES BW 100 Hz,
frequency span 0 Hz,
sweep time 3 s
- Adjust the level of the nonharmonics to < -83 dBm with the following settings.

Table 5-3

Frequency setting on instrument/MHz	Frequency setting on analyzer/MHz	Adjustment
520.0025 520.00025	208.002 208.0011	R91 R94

- Setting on spectrum analyzer: RES BW 30 Hz,
frequency span 10 kHz
- Check the nonharmonics at $n \cdot 1$ kHz from the carrier at the frequency settings listed in Table 5-4.

Table 5-4

Frequency setting on instrument/MHz	Frequency setting on analyzer/MHz	α /dBm
520.000025	208	<-80
624.000003	208	<-80
545.0025	218	<-76
545.00025	218	<-76
545.000025	218	<-76
648.000003	216	<-76

5.2.10 Checking the FRN Loop Monitoring

→ Connect voltmeter to X1.A3.

N,F control voltage

→ Connect power supply unit (0 to 20 V) to jumper X3.B-C (short-circuit jumper removed, C → ground).

→ Voltage on voltmeter >4 V for 10 V applied, <1 V for 0.5 V and 20.5 V.

Reference frequency control voltage

→ Connect power supply unit to jumper X12.A-B (short-circuit jumper removed, A → ground).

→ Carry out test as for N,F control voltage.

5.2.11 Checking the Nonharmonics at X205 and X210

→ The top and bottom shields must be screwed on during this test.

→ The module is externally synchronized with the reference of the spectrum analyzer (X201, $f = 10$ MHz, $P > -7$ dBm).

→ Instrument setting: FM off, REF EXT

→ Measure the signal at X205 or X210 using a spectrum analyzer. Check the suppression of nonharmonics at the settings listed in Table 5-5.

Table 5-5

Frequency setting on instrument/MHz	Frequency setting on analyzer/MHz	Output	α /dBm
520	158	X208	<-84
520	216	X208	<-56
520	266	X208	<-64
532.5	189	X208	<-84
532.5	239	X208	<-84
545	188	X208	<-84
545	136	X208	<-84
-	100	X205	<-75
-	200	X205	<-80

5.2.12 Adjustment of Reference Frequency (R542)

- The top and bottom shields must be screwed on during this adjustment.
- Allow the instrument 1 hour to warm up.
- Instrument setting: REF INT.
- Connect frequency meter with accurate reference to X201.
- Adjust frequency to 10 MHz \pm 1 Hz using R542.

5.3 Troubleshooting

50-MHz crystal oscillator

V435.S : $\approx +2V$ (DC)
V460.E : 50 MHz, 5 V (V_{pp}) with oscilloscope
P21 : 50 MHz, TTL with oscilloscope

150-MHz buffer amplifier

V485.C : 9.5 ± 1 V
V490.C : 9.5 ± 1 V
X9 : 150 MHz, -10 ± 2 dBm


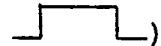


158 to 168.9-MHz VCO and buffer amplifier

V275.S : $\approx +2$ V (DC)
V290.C : 6.5 ± 1.5 V
V300.K : 0.4 ± 0.2 V
V315.C : 7.5 ± 1.5 V
V325.C : 9.5 ± 1 V
X4 : 158 to 168.9 MHz, -7.5 ± 2 dBm
X5 : 158 to 168.9 MHz, -10 ± 2 dBm
X14 : 8 to 19 MHz, TTL

Balanced mixer and output amplifier

V360,370.S: 3.5 ± 1 V
V390.C : 8 ± 1.5 V
X8 : -2 ± 1 dBm
X10 : 50 MHz, -21 ± 1 dBm
V400.K : 0.5 ± 0.2 V

Digital unit of N,F control loop

P1 : Narrow TTL pulse, () , 100 kHz
P3 : TTL pulse () , length 3.2 μs at $f = 525$ MHz
P4 : TTL pulse () , length ≈ 1 μs at $f = 525$ MHz
P5 : TTL pulse () ,
length 0.3 to 2.1 μs , at $f = 525.025$ MHz
P6 : TTL pulse as with P5, $f = 525.0025$ MHz
P7 : TTL pulse as with P5, $f = 525.00025$ MHz
P8 : TTL pulse as with P5, $f = 525.000025$ MHz


Bias current sources

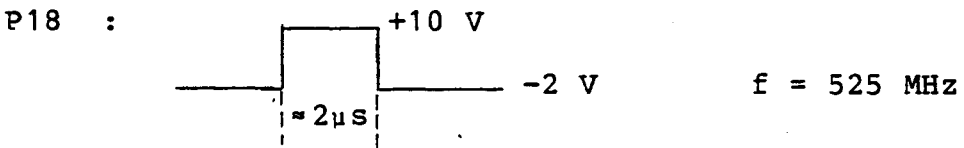
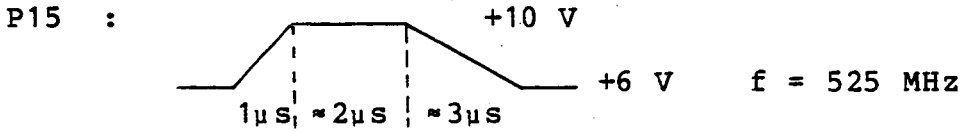
P9, P10, P11, P12: -9 ± 2 V

Analog unit of N,F control loop

P13 : $+4.9 \pm 0.1$ V

P14 : 2.5 ± 0.1 V

P16 : TTL pulse (), length ≈ 2 μ s



P19,P20:

f/MHz	V _{P19}	V _{P20}
520	≈ 4.9	3
530	≈ 17	≈ 9
532.5	≈ 8.9	≈ 10.4
547	≈ 18.9	18

5.4 Interfaces

Analog interfaces

Pin	Function	Frequency	Level
X201	RF output with REF INT RF input with REF EXT	5 or 10 MHz 5 or 10 MHz	>-3 dBm >100 mV _{rms}
X202	RF input	10 MHz	>500 mV _{pp}
X203	RF output	50 kHz	TTL
X205	RF output	150 MHz	0 ±2 dBm
X208	RF input	50 MHz	ECL
X210	RF output	208 to 218.9 MHz	-3 ±2 dBm
X1.A23	Diagnosis output	DC	0 to 5 V
X1.A27	Diagnosis input OCXO thermostat	DC	4 to 6 V


Digital interfaces

Pin	Function	Remarks
X1.A6	Strobe	
X1.A8	Data input	
X1.A10	Clock	
X1.A3	Loop control	FRN and reference control loop

Schaltteillisten
Stromläufe
Bestückungspläne
Part lists
Circuit diagrams
Components plans
Listes des pièces détachées
Schémas de Circuit
Plans des composants

Für diese Unterlage behalten wir uns alle Rechte vor.

Kennz. Comp. No.	Benennung Designation	Sachnummer Stock No.	Hersteller Manufacturer	Bezeichnung Designation	enthalten in contained in
B435	BD QUARZ MIT THERMOSTAT CRYSTAL WITH THERMOSTAT	0801.8402.00			
C3	CC 22PF+-2%4X5NPO CAPACITOR	CC 0087.6464.00	PHILIPS_CO	2222 678	
C4	CC 22PF+-2%4X5NPO CAPACITOR	CC 0087.6464.00	PHILIPS_CO	2222 678	
C5	CC 22PF+-2%4X5NPO CAPACITOR	CC 0087.6464.00	PHILIPS_CO	2222 678	
C6	LD FILT.40DB/10GHZ10A300V LOWPASS-FILTER	0911.0705.00	SPECTRUM	SCI-9920-101HT	
C7	CC 47PF+-2%5X6NPO CAPACITOR	CC 0087.6506.00	PHILIPS_CO	2222 678	
C8	LD FILT.40DB/10GHZ10A300V LOWPASS-FILTER	0911.0705.00	SPECTRUM	SCI-9920-101HT	
C9	LD FILT.40DB/10GHZ10A300V LOWPASS-FILTER	0911.0705.00	SPECTRUM	SCI-9920-101HT	
C10	CC 180PF+-2%6X7N750 CAPACITOR	CC 0087.6935.00	PHILIPS_CO	2222 678 58181	
C14	CC 22PF+-2%4X5NPO CAPACITOR	CC 0087.6464.00	PHILIPS_CO	2222 678	
C16	CC 10NF-20+50%7X8R4000 CAPACITOR	CC 0087.7525.00	VALVO	2222 640 51103	
C20	CC 68PF+-2%6X7NPO CAPACITOR	CC 0087.6529.00	PHILIPS_CO	2222 678	
C25	CC 68PF+-2%6X7NPO CAPACITOR	CC 0087.6529.00	PHILIPS_CO	2222 678	
C35	CC 15PF+-2%3X4NPO CAPACITOR	CC 0087.6441.00	PHILIPS_CO	2222 678	
C40	CK 100NF+-5%63VRD2,5H7MKT CAPACITOR	CK 0099.2930.00	SIEMENS	B 32 529-C104-J	
C41	CK 100NF+-5%63VRD2,5H7MKT CAPACITOR	CK 0099.2930.00	SIEMENS	B 32 529-C104-J	
C43	CK 470NF+-5%63V RD5H10MKT CAPACITOR	CK 0099.2975.00	SIEMENS	B 32 529-A474-J	
C44	CK 100NF+-5%63VRD2,5H7MKT CAPACITOR	CK 0099.2930.00	SIEMENS	B 32 529-C104-J	
C51	CK 470NF+-5%63V RD5H10MKT CAPACITOR	CK 0099.2975.00	SIEMENS	B 32 529-A474-J	
C52	CK 100NF+-5%63VRD2,5H7MKT CAPACITOR	CK 0099.2930.00	SIEMENS	B 32 529-C104-J	
C60	CK 100NF+-5%63VRD2,5H7MKT CAPACITOR	CK 0099.2930.00	SIEMENS	B 32 529-C104-J	
C61	CK 470NF+-5%63V RD5H10MKT CAPACITOR	CK 0099.2975.00	SIEMENS	B 32 529-A474-J	
C62	CK 100NF+-5%63VRD2,5H7MKT CAPACITOR	CK 0099.2930.00	SIEMENS	B 32 529-C104-J	
C66	CK 47NF+-5%63V RD2,5H7MKT CAPACITOR	CK 0099.2917.00	SIEMENS	B 32529-C473-J	
C67	CK 100NF+-5%63VRD2,5H7MKT CAPACITOR	CK 0099.2930.00	SIEMENS	B 32 529-C104-J	
C70	CE 2,2UF+-20%35V 7X 5X11 ELECTROLYTIC CAPACITOR	CE 0022.8191.00	KEMET	T340 B225M040 AS	
C92	CE 100UF+-20%35V RM5 ELECTROLYTIC CAPACITOR	0008.7510.00	PHILIPS_CO	2222 116 90042	
C100	CE 2,2UF+-20%35V 7X 5X11 ELECTROLYTIC CAPACITOR	CE 0022.8191.00	KEMET	T340 B225M040 AS	
C120	CK 100NF+-5%63VRD2,5H7MKT CAPACITOR	CK 0099.2930.00	SIEMENS	B 32 529-C104-J	
C121	CK 100NF+-5%63VRD2,5H7MKT CAPACITOR	CK 0099.2930.00	SIEMENS	B 32 529-C104-J	
C123	CE 22UF+-20%63V RM5 ELECTROLYTIC CAPACITOR	0008.7433.00	PHILIPS_CO	2222 116 90111	
C124	CE 100UF+-20%35V RM5 ELECTROLYTIC CAPACITOR	0008.7510.00	PHILIPS_CO	2222 116 90042	
C130	CK 100NF+-5%63VRD2,5H7MKT CAPACITOR	CK 0099.2930.00	SIEMENS	B 32 529-C104-J	
C131	CK 100NF+-5%63VRD2,5H7MKT CAPACITOR	CK 0099.2930.00	SIEMENS	B 32 529-C104-J	
C132	CE 47UF+-20%63V RM5 ELECTROLYTIC CAPACITOR	0008.7440.00	PHILIPS_CO	2222 116 90112	
C136	CK 1,0NF +-1% 100V RM5 KP POLYPROPYLENE CAPACITOR	CK 0007.7598.00	ROEDERSTEI	KP1830-210 01 1 3 W	
C137	CK 150NF+-5%63VRD3,5H9MKT CAPACITOR	CK 0099.2946.00	SIEMENS	B 32 529-A154-J	
C140	CK 1,0NF +-1% 100V RM5 KP POLYPROPYLENE CAPACITOR	CK 0007.7598.00	ROEDERSTEI	KP1830-210 01 1 3 W	


MEZ15	790 3PLU	Äi	Datum Date	Schaltteilliste für Parts list for	Sachnummer Stock No.	Blatt-Nr. Page
		66	03.05.99	EE FRN LOOP	0801.3917.01 SA	1+

095.0026-0693

Kennz. Comp. No.	Benennung Designation	Sachnummer Stock No.	Hersteller Manufacturer	Bezeichnung Designation	enthalten in contained in
C141	CC 3,9PF+-0,25PF3X4NPO CAPACITOR	CC 0087.6370.00	PHILIPS_CO	2222 678	
C142	TRIMMWERT/SELECTED CC 100PF+-2%4X5N750 CAPACITOR	CC 0087.6906.00	PHILIPS_CO	2222 678 58101	
C163	CK 100NF+-5%63VRD2,5H7MKT CAPACITOR	CK 0099.2930.00	SIEMENS	B 32 529-C104-J	
C170	CK 100NF+-5%63VRD2,5H7MKT CAPACITOR	CK 0099.2930.00	SIEMENS	B 32 529-C104-J	
C171	CK 100NF+-5%63VRD2,5H7MKT CAPACITOR	CK 0099.2930.00	SIEMENS	B 32 529-C104-J	
C172	CK 2,2NF +-1% 100V RM5 KP POLYPROPYLENE CAPACITOR	CK 0007.7617.00	ROEDERSTEI	KP1830-222 01 1 3 W	
C173	CC 10NF-20+50%7X8R4000 CAPACITOR	CC 0087.7525.00	VALVO	2222 640 51103	
C174	CK 68NF+-5%63V RD2,5H7MKT CAPACITOR	CK 0099.2923.00	SIEMENS	B 32 529-A683-J	
C176	CC 330PF+-10%3X4R2000 CAPACITOR	CC 0087.6970.00	PHILIPS_CO	2222 630 51331	
C181	CE 22UF+-20%63V RM5 ELECTROLYTIC CAPACITOR	0008.7433.00	PHILIPS_CO	2222 116 90111	
C202	CC 10NF-20+50%7X8R4000 CAPACITOR	CC 0087.7525.00	VALVO	2222 640 51103	
C205	CC 10NF-20+50%7X8R4000 CAPACITOR	CC 0087.7525.00	VALVO	2222 640 51103	
C212	CE 100UF+-20%35V RM5 ELECTROLYTIC CAPACITOR	0008.7510.00	PHILIPS_CO	2222 116 90042	
C214	CC 10NF-20+50%7X8R4000 CAPACITOR	CC 0087.7525.00	VALVO	2222 640 51103	
C215	CK 100NF+-5%63VRD2,5H7MKT CAPACITOR	CK 0099.2930.00	SIEMENS	B 32 529-C104-J	
C216	CE 220UF+-20%16V RM5 ELECTROLYTIC CAPACITOR	0008.7562.00	FROLYT	EKS00CC322DG	
C217	CE 220UF+-20%16V RM5 ELECTROLYTIC CAPACITOR	0008.7562.00	FROLYT	EKS00CC322DG	
C218	CK 100NF+-5%63VRD2,5H7MKT CAPACITOR	CK 0099.2930.00	SIEMENS	B 32 529-C104-J	
C219	CK 100NF+-5%63VRD2,5H7MKT CAPACITOR	CK 0099.2930.00	SIEMENS	B 32 529-C104-J	
C220	CE 47UF+-20%63V RM5 ELECTROLYTIC CAPACITOR	0008.7440.00	PHILIPS_CO	2222 116 90112	
C221	CK 100NF+-5%63VRD2,5H7MKT CAPACITOR	CK 0099.2930.00	SIEMENS	B 32 529-C104-J	
C222	CE 47UF+-20%63V RM5 ELECTROLYTIC CAPACITOR	0008.7440.00	PHILIPS_CO	2222 116 90112	
C223	CC 10NF-20+50%7X8R4000 CAPACITOR	CC 0087.7525.00	VALVO	2222 640 51103	
C231	CE 47UF+-20%6,3V SAL ELECTR.CAPACITOR	CE 0007.3957.00	VALVO	2222 128 33479	
C232	CC 10NF-20+50%7X8R4000 CAPACITOR	CC 0087.7525.00	VALVO	2222 640 51103	
C235	CE 47UF+-20%6,3V SAL ELECTR.CAPACITOR	CE 0007.3957.00	VALVO	2222 128 33479	
C236	CC 10NF-20+50%7X8R4000 CAPACITOR	CC 0087.7525.00	VALVO	2222 640 51103	
C238	CE 47UF+-20%63V RM5 ELECTROLYTIC CAPACITOR	0008.7440.00	PHILIPS_CO	2222 116 90112	
C239	CC 10NF-20+50%7X8R4000 CAPACITOR	CC 0087.7525.00	VALVO	2222 640 51103	
C241	CE 22UF+-20%63V RM5 ELECTROLYTIC CAPACITOR	0008.7433.00	PHILIPS_CO	2222 116 90111	
C242	CC 10NF-20+50%7X8R4000 CAPACITOR	CC 0087.7525.00	VALVO	2222 640 51103	
C243	CC 10NF-20+50%7X8R4000 CAPACITOR	CC 0087.7525.00	VALVO	2222 640 51103	
C244	CE 47UF+-20%63V RM5 ELECTROLYTIC CAPACITOR	0008.7440.00	PHILIPS_CO	2222 116 90112	
C245	CC 10NF-20+50%7X8R4000 CAPACITOR	CC 0087.7525.00	VALVO	2222 640 51103	
C247	CK 100NF+-5%63VRD2,5H7MKT CAPACITOR	CK 0099.2930.00	SIEMENS	B 32 529-C104-J	
C260	CK 68NF+-5%63V RD2,5H7MKT CAPACITOR	CK 0099.2923.00	SIEMENS	B 32 529-A683-J	
C261	CC 1NF+-10%50VX7R 1206 CERAMIC CHIP CAPACITOR	CC 0099.8438.00	MURATA	GRM42-6 X7R 102 K50	
C262	CC 1NF+-10%50VX7R 1206 CERAMIC CHIP CAPACITOR	CC 0099.8438.00	MURATA	GRM42-6 X7R 102 K50	

Wir uns alle Rechte vor.

095.0026-0693

MEZ15	790 3PLU	Äl	Datum Date	Schaltteilliste für Parts list for	Sachnummer Stock No.	Blatt-Nr. Page
		66	03.05.99	EE FRN LOOP	0801.3917.01 SA	2+

Für diese Unterlage behalten
wir uns alle Rechte vor.

Kennz. Comp. No.	Benennung Designation	Sachnummer Stock No.	Hersteller Manufacturer	Bezeichnung Designation	enthalten in contained in
C265	CK 1UF+-5%50V7, 5X5, 5X10, 5 CAPACITOR	CK 0099.2998.00	SIEMENS	B32529-C5105-J189	
C266	CK 1UF+-5%50V7, 5X5, 5X10, 5 CAPACITOR	CK 0099.2998.00	SIEMENS	B32529-C5105-J189	
C267	CK 1UF+-5%50V7, 5X5, 5X10, 5 CAPACITOR	CK 0099.2998.00	SIEMENS	B32529-C5105-J189	
C270	CT 13PF TAUCHTR.RD7X12 AIR-TYPE TRIMMER	CT 0092.4266.00	TEKELEC	TL 244	
C272	CT 9,2PF TAUCHTR.RD 7X12 AIR-TYPE TRIMMER	CT 0025.7373.00	TEKELEC	TL 191	
C274	CC 7PF+-0,5PF N150/IB RD5 CERAMIC CAPACITOR	0006.0231.00	DRALORIC	SDPN 5	
C275	CC 1NF+-10%50VX7R 1206 CERAMIC CHIP CAPACITOR	CC 0099.8438.00	MURATA	GRM42-6 X7R 102 K50	
C276	CC 22PF 2% N750/IA 3ROHR CERAMIC CAPACITOR	0022.3402.00	DRALORIC	RDLL 3X10	
C277	CC 15PF+-2%N750/IA3ROHR CERAMIC CAPACITOR	0022.3383.00	DRALORIC	RDLL 3X10	
C278	CC 1,5PF+-0,25PF3X4P100 CAPACITOR	CC 0087.6193.00	PHILIPS_CO	2222 678	
C279	CE 100UF+-20%35V RM5 ELECTROLYTIC CAPACITOR	0008.7510.00	PHILIPS_CO	2222 116 90042	
C280	CE 47UF+-20%63V RM5 ELECTROLYTIC CAPACITOR	0008.7440.00	PHILIPS_CO	2222 116 90112	
C281	CC 10NF-20+50%7X8R4000 CAPACITOR	CC 0087.7525.00	VALVO	2222 640 51103	
C285	CC 1NF+-10%63V K2000 CERAMIC CAPACITOR	CC 0022.0784.00	PHILIPS_CO	2222 630	
C286	CC 10NF-20+50%7X8R4000 CAPACITOR	CC 0087.7525.00	VALVO	2222 640 51103	
C290	CC 1NF+-10%50VX7R 1206 CERAMIC CHIP CAPACITOR	CC 0099.8438.00	MURATA	GRM42-6 X7R 102 K50	
C293	CC 330PF+-2%6X9N750 CERAMIC CAPACITOR	CC 0087.6964.00	PHILIPS_CO	2222 678 58331	
C300	CC 1NF+-10%63V K2000 CERAMIC CAPACITOR	CC 0022.0784.00	PHILIPS_CO	2222 630	
C302	CC 1NF+-10%63V K2000 CERAMIC CAPACITOR	CC 0022.0784.00	PHILIPS_CO	2222 630	
C310	CC 330PF+-1%50V NPO 1206 CERAMIC CHIP CAPACITOR	CC 0099.8873.00	AVX	1206 5A 331 F 3	
C312	CC 3,3PF+-0,25PF3X4NPO CAPACITOR	CC 0087.6364.00	PHILIPS_CO	2222 678	
C317	CC 1NF+-10%63V K2000 CERAMIC CAPACITOR	CC 0022.0784.00	PHILIPS_CO	2222 630	
C318	CC 10NF-20+50%7X8R4000 CAPACITOR	CC 0087.7525.00	VALVO	2222 640 51103	
C319	CC 330PF+-2%6X9N750 CERAMIC CAPACITOR	CC 0087.6964.00	PHILIPS_CO	2222 678 58331	
C320	CC 330PF+-1%50V NPO 1206 CERAMIC CHIP CAPACITOR	CC 0099.8873.00	AVX	1206 5A 331 F 3	
C322	CC 1PF+-0,25PF3X4P100 CAPACITOR	CC 0087.6170.00	PHILIPS_CO	2222 678	
C323	CC 330PF+-2%6X9N750 CERAMIC CAPACITOR	CC 0087.6964.00	PHILIPS_CO	2222 678 58331	
C327	CC 1NF+-10%63V K2000 CERAMIC CAPACITOR	CC 0022.0784.00	PHILIPS_CO	2222 630	
C328	CC 10NF-20+50%7X8R4000 CAPACITOR	CC 0087.7525.00	VALVO	2222 640 51103	
C340	CC 100PF+-2%4X5N750 CAPACITOR	CC 0087.6906.00	PHILIPS_CO	2222 678 58101	
C341	CC 150PF+-2%5X6N750 CAPACITOR	CC 0087.6929.00	PHILIPS_CO	2222 678 58151	
C342	CC 150PF+-2%5X6N750 CAPACITOR	CC 0087.6929.00	PHILIPS_CO	2222 678 58151	
C343	CC 330PF+-2%6X9N750 CERAMIC CAPACITOR	CC 0087.6964.00	PHILIPS_CO	2222 678 58331	
C345	CC 330PF+-2%6X9N750 CERAMIC CAPACITOR	CC 0087.6964.00	PHILIPS_CO	2222 678 58331	
C347	CK 100NF+-5%63VRD2, 5H7MKT CAPACITOR	CK 0099.2930.00	SIEMENS	B 32 529-C104-J	
C348	CC 10NF-20+50%7X8R4000 CAPACITOR	CC 0087.7525.00	VALVO	2222 640 51103	
C350	CC 100PF+-1%50V NPO 1206 CERAMIC CHIP CAPACITOR	CC 0099.8415.00	MURATA	GRM42-6COG 101F50ZPT	
C351	CC 68PF+-2%6X7NPO CAPACITOR	CC 0087.6529.00	PHILIPS_CO	2222 678	
C352	CC 68PF+-2%6X7NPO CAPACITOR	CC 0087.6529.00	PHILIPS_CO	2222 678	

MEZ15

790 3PLU

ÄI

Datum
Date

Schalttailliste für
Parts list for

Sachnummer
Stock No.

Blatt-Nr.
Page



ROHDE & SCHWARZ

66

03.05.99


EE FRN LOOP

0801.3917.01 SA

3+

Kennz. Comp. No.	Benennung Designation	Sachnummer Stock No.	Hersteller Manufacturer	Bezeichnung Designation	enthalten in contained in
C360	CC 100PF+-2%4X5N750 CAPACITOR	CC 0087.6906.00	PHILIPS_CO	2222 678 58101	
C361	CC 2,2NF+-10%50VX7R 1206 CERAMIC CHIP CAPACITOR	CC 0099.8444.00	AVX	1206 5 C 222 KA 3	
C362	CC 100PF+-2%4X5N750 CAPACITOR	CC 0087.6906.00	PHILIPS_CO	2222 678 58101	
C363	CC 1,2PF+-0,25PF3X4P100 CAPACITOR	CC 0087.6187.00	PHILIPS_CO	2222 678	
C364	CC 1NF+-10%63V K2000 CERAMIC CAPACITOR	CC 0022.0784.00	PHILIPS_CO	2222 630	
C365	CC 5,6PF+-0,25PF3X4NPO CAPACITOR	CC 0087.6393.00	PHILIPS_CO	2222 678	
C366	CC 1NF+-10%63V K2000 CERAMIC CAPACITOR	CC 0022.0784.00	PHILIPS_CO	2222 630	
C367	CC 10NF-20+50%7X8R4000 CAPACITOR	CC 0087.7525.00	VALVO	2222 640 51103	
C370	CC 100PF+-2%4X5N750 CAPACITOR	CC 0087.6906.00	PHILIPS_CO	2222 678 58101	
C371	CC 2,2NF+-10%50VX7R 1206 CERAMIC CHIP CAPACITOR	CC 0099.8444.00	AVX	1206 5 C 222 KA 3	
C372	CC 100PF+-2%4X5N750 CAPACITOR	CC 0087.6906.00	PHILIPS_CO	2222 678 58101	
C373	CC 1,2PF+-0,25PF3X4P100 CAPACITOR	CC 0087.6187.00	PHILIPS_CO	2222 678	
C374	CC 1NF+-10%63V K2000 CERAMIC CAPACITOR	CC 0022.0784.00	PHILIPS_CO	2222 630	
C375	CC 5,6PF+-0,25PF3X4NPO CAPACITOR	CC 0087.6393.00	PHILIPS_CO	2222 678	
C376	CC 1NF+-10%50VX7R 1206 CERAMIC CHIP CAPACITOR	CC 0099.8438.00	MURATA	GRM42-6 X7R 102 K50	
C384	CC 1NF+-10%63V K2000 CERAMIC CAPACITOR	CC 0022.0784.00	PHILIPS_CO	2222 630	
C385	CC 5,6PF+-0,25PF3X4NPO CAPACITOR	CC 0087.6393.00	PHILIPS_CO	2222 678	
C386	CC 3,9PF/0,25PF63V3X5N750 CAPACITOR	CC 0099.5568.00	PHILIPS_CO	2222 678 57398	
C387	CC 1,5PF+-0,25PF3X4P100 CAPACITOR	CC 0087.6193.00	PHILIPS_CO	2222 678	
C390	CC 330PF+-2%6X9N750 CERAMIC CAPACITOR	CC 0087.6964.00	PHILIPS_CO	2222 678 58331	
C391	CC 1NF+-10%63V K2000 CERAMIC CAPACITOR	CC 0022.0784.00	PHILIPS_CO	2222 630	
C392	CC 330PF+-2%6X9N750 CERAMIC CAPACITOR	CC 0087.6964.00	PHILIPS_CO	2222 678 58331	
C395	CC 10NF-20+50%7X8R4000 CAPACITOR	CC 0087.7525.00	VALVO	2222 640 51103	
C396	CC 1NF+-10%63V K2000 CERAMIC CAPACITOR	CC 0022.0784.00	PHILIPS_CO	2222 630	
C400	CC 1NF+-10%63V K2000 CERAMIC CAPACITOR	CC 0022.0784.00	PHILIPS_CO	2222 630	
C401	CC 1NF+-10%63V K2000 CERAMIC CAPACITOR	CC 0022.0784.00	PHILIPS_CO	2222 630	
C410	CC 10PF+-0,25PF3X4NPO CAPACITOR	CC 0087.6429.00	PHILIPS_CO	2222 678 10109	
C411	CC 2,2PF+-0,25PF3X4NPO CAPACITOR	CC 0087.6341.00	PHILIPS_CO	2222 678	
C412	CC 1,8PF+-0,25PF3X4P100 CAPACITOR	CC 0087.6206.00	VALVO	2222 678	
C413	CC 6,8PF+-0,25PF3X4NPO CAPACITOR	CC 0087.6406.00	PHILIPS_CO	2222 678	
C414	CC 2,2PF+-0,25PF3X4NPO CAPACITOR	CC 0087.6341.00	PHILIPS_CO	2222 678	
C422	CC 2,2NF+-10%5X6R2000 CAPACITOR	CC 0087.7060.00	PHILIPS_CO	2222 630 51222	
C424	CC 10NF-20+50%7X8R4000 CAPACITOR	CC 0087.7525.00	VALVO	2222 640 51103	
C430	CC 10NF-20+50%7X8R4000 CAPACITOR	CC 0087.7525.00	VALVO	2222 640 51103	
C431	CC 2,2NF+-10%50VX7R 1206 CERAMIC CHIP CAPACITOR	CC 0099.8444.00	AVX	1206 5 C 222 KA 3	
C432	CC 330PF+-2%6X9N750 CERAMIC CAPACITOR	CC 0087.6964.00	PHILIPS_CO	2222 678 58331	
C433	CC 150PF+-2%6X9N150 CAPACITOR	CC 0087.6735.00	PHILIPS_CO	2222 678 34151	
C434	CC 82PF+-2%4X5N750 CAPACITOR	CC 0087.6893.00	VALVO	2222 678 58829	
C436	CK 1UF+-5%50V7,5X5,5X10,5 CAPACITOR	CK 0099.2998.00	SIEMENS	B32529-C5105-J189	

Wir uns alle Rechte vor.

MEZ15	790 3PLU	Äi	Datum Date	Schaltteilliste für Parts list for	Sachnummer Stock No.	Blatt-Nr. Page
		66	03.05.99	EE FRN LOOP	0801.3917.01 SA	4+

095.0026-0693

Für diese Unterlage behalten
wir uns alle Rechte vor.

Kennz. Comp. No.	Benennung Designation	Sachnummer Stock No.	Hersteller Manufacturer	Bezeichnung Designation	enthalten in contained in
C437	CC 10NF+-10%50V X7R 1206 CERAMIC CHIP CAPACITOR	CC 0099.8521.00	MURATA	GRM42-6X7R103K 50PT	
C438	CC 1NF+-10%50VX7R 1206 CERAMIC CHIP CAPACITOR	CC 0099.8438.00	MURATA	GRM42-6 X7R 102 K50	
C439	CC 18PF+-1% 50V NPO 1206 CERAMIC CHIP CAPACITOR	CC 0099.8767.00	MURATA	GRM42-6COG 180F50ZPT	
C440	CC 18PF+-2%3X4NPO CAPACITOR	CC 0087.6458.00	PHILIPS_CO	2222 678	
C441	CK 100NF+-5%63VRD2,5H7MKT CAPACITOR	CK 0099.2930.00	SIEMENS	B 32 529-C104-J	
C442	CE 47UF+-20%6,3V SAL ELECTR.CAPACITOR	CE 0007.3957.00	VALVO	2222 128 33479	
C444	CC 10NF-20+50%7X8R4000 CAPACITOR	CC 0087.7525.00	VALVO	2222 640 51103	
C445	CC 10NF-20+50%7X8R4000 CAPACITOR	CC 0087.7525.00	VALVO	2222 640 51103	
C446	CC 10NF-20+50%7X8R4000 CAPACITOR	CC 0087.7525.00	VALVO	2222 640 51103	
C450	CC 1NF+-10%63V K2000 CERAMIC CAPACITOR	CC 0022.0784.00	PHILIPS_CO	2222 630	
C455	CC 10NF-20+50%7X8R4000 CAPACITOR	CC 0087.7525.00	VALVO	2222 640 51103	
C456	CC 10NF-20+50%7X8R4000 CAPACITOR	CC 0087.7525.00	VALVO	2222 640 51103	
C460	CC 2,2NF+-10%5X6R2000 CAPACITOR	CC 0087.7060.00	PHILIPS_CO	2222 630 51222	
C462	CC 2,2NF+-10%5X6R2000 CAPACITOR	CC 0087.7060.00	PHILIPS_CO	2222 630 51222	
C463	CC 27PF+-2%4X5NPO CAPACITOR	CC 0087.6470.00	PHILIPS_CO	2222 678	
C465	CC 2,2NF+-10%5X6R2000 CAPACITOR	CC 0087.7060.00	PHILIPS_CO	2222 630 51222	
C466	CC 10NF-20+50%7X8R4000 CAPACITOR	CC 0087.7525.00	VALVO	2222 640 51103	
C467	CC 10PF+-0,25PF3X4NPO CAPACITOR	CC 0087.6429.00	PHILIPS_CO	2222 678 10109	
C468	CC 1PF+-0,25PF3X4P100 CAPACITOR	CC 0087.6170.00	PHILIPS_CO	2222 678	
C470	CC 1PF+-0,25PF3X4P100 CAPACITOR	CC 0087.6170.00	PHILIPS_CO	2222 678	
C471	CC 1PF+-0,25PF3X4P100 CAPACITOR	CC 0087.6170.00	PHILIPS_CO	2222 678	
C472	CC 12PF+-2%3X4NPO CAPACITOR	CC 0087.6435.00	VALVO	2222 678	
C480	CC 330PF+-1%50V NPO 1206 CERAMIC CHIP CAPACITOR	CC 0099.8873.00	AVX	1206 5A 331 F 3	
C483	CC 1PF+-0,25PF3X4P100 CAPACITOR	CC 0087.6170.00	PHILIPS_CO	2222 678	
C485	CC 330PF+-2%6X9N750 CERAMIC CAPACITOR	CC 0087.6964.00	PHILIPS_CO	2222 678 58331	
C487	CC 1NF+-10%63V K2000 CERAMIC CAPACITOR	CC 0022.0784.00	PHILIPS_CO	2222 630	
C488	CC 10NF-20+50%7X8R4000 CAPACITOR	CC 0087.7525.00	VALVO	2222 640 51103	
C490	CC 330PF+-1%50V NPO 1206 CERAMIC CHIP CAPACITOR	CC 0099.8873.00	AVX	1206 5A 331 F 3	
C492	CC 2,7PF+-0,25PF3X4NPO CERAMIC CAPACITOR	CC 0087.6358.00	PHILIPS_CO	2222 678	
C493	CC 12PF+-2%3X4NPO CAPACITOR	CC 0087.6435.00	VALVO	2222 678	
C498	CC 1NF+-10%63V K2000 CERAMIC CAPACITOR	CC 0022.0784.00	PHILIPS_CO	2222 630	
C500	CC 1NF+-10%63V K2000 CERAMIC CAPACITOR	CC 0022.0784.00	PHILIPS_CO	2222 630	
C501	CC 10NF-20+50%7X8R4000 CAPACITOR	CC 0087.7525.00	VALVO	2222 640 51103	
C502	CC 10NF-20+50%7X8R4000 CAPACITOR	CC 0087.7525.00	VALVO	2222 640 51103	
C503	CC 1NF+-10%63V K2000 CERAMIC CAPACITOR	CC 0022.0784.00	PHILIPS_CO	2222 630	
C504	CC 10NF-20+50%7X8R4000 CAPACITOR	CC 0087.7525.00	VALVO	2222 640 51103	
C510	CC 1NF+-10%63V K2000 CERAMIC CAPACITOR	CC 0022.0784.00	PHILIPS_CO	2222 630	
C511	CC 56PF+-2%5X6NPO CAPACITOR	CC 0087.6512.00	PHILIPS_CO	2222 678	
C512	CC 120PF+-2%6X9NPO CAPACITOR	CC 0087.6558.00	PHILIPS_CO	2222 678 10121	

MEZ15

790 3PLU

ÄI

Datum
Date

Schaltteilleiste für
Parts list for

Sachnummer
Stock No.

Blatt-Nr.
Page



ROHDE & SCHWARZ

66 03.05.99


EE FRN LOOP

0801.3917.01 SA

5+

wir uns alle Rechte vor.

Kennz. Comp. No.	Benennung Designation	Sachnummer Stock No.	Hersteller Manufacturer	Bezeichnung Designation	enthalten in contained in
C513	CC 68PF+-2%6X7NPO CAPACITOR	CC 0087.6529.00	PHILIPS_CO	2222 678	
C514	CC 18PF+-2%3X4NPO CAPACITOR	CC 0087.6458.00	PHILIPS_CO	2222 678	
C520	CK 100NF+-5%63VRD2,5H7MKT CAPACITOR	CK 0099.2930.00	SIEMENS	B 32 529-C104-J	
C521	CC 10NF-20+50%7X8R4000 CAPACITOR	CC 0087.7525.00	VALVO	2222 640 51103	
C522	CC 10NF-20+50%7X8R4000 CAPACITOR	CC 0087.7525.00	VALVO	2222 640 51103	
C523	CC 10NF-20+50%7X8R4000 CAPACITOR	CC 0087.7525.00	VALVO	2222 640 51103	
C524	CC 10NF-20+50%7X8R4000 CAPACITOR	CC 0087.7525.00	VALVO	2222 640 51103	
C525	CC 330PF+-2%6X9N750 CERAMIC CAPACITOR	CC 0087.6964.00	PHILIPS_CO	2222 678 58331	
C530	CC 10NF-20+50%7X8R4000 CAPACITOR	CC 0087.7525.00	VALVO	2222 640 51103	
C533	CK 1UF+-5%50V7,5X5,5X10,5 CAPACITOR	CK 0099.2998.00	SIEMENS	B32529-C5105-J189	
C534	CC 10NF-20+50%7X8R4000 CAPACITOR	CC 0087.7525.00	VALVO	2222 640 51103	
C536	CK 1UF+-5%50V7,5X5,5X10,5 CAPACITOR	CK 0099.2998.00	SIEMENS	B32529-C5105-J189	
C537	CK 100NF+-5%63VRD2,5H7MKT CAPACITOR	CK 0099.2930.00	SIEMENS	B 32 529-C104-J	
C538	CK 100NF+-5%63VRD2,5H7MKT CAPACITOR	CK 0099.2930.00	SIEMENS	B 32 529-C104-J	
C541	CE 6,8UF+-20%35V 7X 5X11 ELECTROLYTIC CAPACITOR	CE 0087.9392.00	KEMET	T340 C685M040 AS	
C550	CC 270PF+-2%6X9N750 CAPACITOR	CC 0087.6958.00	PHILIPS_CO	2222 631 58271	
C551	CC 470PF+-10%3X4R2000 CAPACITOR	CC 0087.6993.00	PHILIPS_CO	2222 630 51471	
C552	CC 270PF+-2%6X9N750 CAPACITOR	CC 0087.6958.00	PHILIPS_CO	2222 631 58271	
C553	CC 10NF-20+50%7X8R4000 CAPACITOR	CC 0087.7525.00	VALVO	2222 640 51103	
C561	CK 100NF+-5%63VRD2,5H7MKT CAPACITOR	CK 0099.2930.00	SIEMENS	B 32 529-C104-J	
C570	CK 100NF+-5%63VRD2,5H7MKT CAPACITOR	CK 0099.2930.00	SIEMENS	B 32 529-C104-J	
C574	CC 10NF-20+50%7X8R4000 CAPACITOR	CC 0087.7525.00	VALVO	2222 640 51103	
C575	CC 1NF+-10%63V K2000 CERAMIC CAPACITOR	CC 0022.0784.00	PHILIPS_CO	2222 630	
C580	CC 10NF-20+50%7X8R4000 CAPACITOR	CC 0087.7525.00	VALVO	2222 640 51103	
C581	CC 10NF-20+50%7X8R4000 CAPACITOR	CC 0087.7525.00	VALVO	2222 640 51103	
C590	CE 100UF+-20%35V RM5 ELECTROLYTIC CAPACITOR	0008.7510.00	PHILIPS_CO	2222 116 90042	
C592	CK 100NF+-5%63VRD2,5H7MKT CAPACITOR	CK 0099.2930.00	SIEMENS	B 32 529-C104-J	
C593	CK 100NF+-5%63VRD2,5H7MKT CAPACITOR	CK 0099.2930.00	SIEMENS	B 32 529-C104-J	
C560	CC 10NF-20+50%7X8R4000 CAPACITOR	CC 0087.7525.00	VALVO	2222 640 51103	
D1	BL MM74HCOON 4X2IN.NAND QUAD 2-INPUT NAND GATE	0571.3194.00	PHILIPS_SE	(PC)74HCOON(P)	
D2	BG SCX6225QLZ GATEARRAY GATE ARRAY	0007.4947.00	NSC	SCX6225QLZ-V2	
D3	BL PC74HC4094P 8ST.SH.REG 8-STAGE SHIFT&STORE REG. NUR VAR/ONLY MOD: 02	0099.9711.00	PHILIPS_SE	(PC)74HC4094N(P)	
D3	BL CD4094BE 8BIT SH.REG SHIFT REGISTER NUR VAR/ONLY MOD: 04	0586.7726.00	RCA	CD4094BE	
D4	BL PC74HC4094P 8ST.SH.REG 8-STAGE SHIFT&STORE REG. NUR VAR/ONLY MOD: 02	0099.9711.00	PHILIPS_SE	(PC)74HC4094N(P)	
D4	BL CD4094BE 8BIT SH.REG SHIFT REGISTER NUR VAR/ONLY MOD: 04	0586.7726.00	RCA	CD4094BE	
D5	BL PC74HC4094P 8ST.SH.REG 8-STAGE SHIFT&STORE REG. NUR VAR/ONLY MOD: 02	0099.9711.00	PHILIPS_SE	(PC)74HC4094N(P)	

MEZ15	790 3PLU	ÄI	Datum Date	Schaltteilleiste für Parts list for	Sachnummer Stock No.	Blatt-Nr. Page
	66	03.05.99	EE FRN LOOP	0801.3917.01 SA	6+	

095.0026-0693

Für diese Unterlage behalten wir uns alle Rechte vor.

Kennz. Comp. No.	Benennung Designation	Sachnummer Stock No.	Hersteller Manufacturer	Bezeichnung Designation	enthalten in contained in
D5	BL CD4094BE 8BIT SH.REG SHIFT REGISTER	0586.7726.00	RCA	CD4094BE	
D6	NUR VAR/ONLY MOD: 04 BL PC74HC123 2XMULTIVIB DUAL MONOST.MULTIVIBRATOR	0099.9540.00	PHILIPS_SE	(PC)74HC123N(P)	
D7	BL 74F74PC 2XD-FLIPFLOP DUAL D-FLIPFLOP	0344.6694.00	PHILIPS_SE	N74F74N	
D8	BL 74F191PC U/D-BIN.CNT UP/DOWN BIN.-COUNTER	0344.6871.00	PHILIPS_SE	(N)74F191N	
D9	BL 74F191PC U/D-BIN.CNT UP/DOWN BIN.-COUNTER	0344.6871.00	PHILIPS_SE	(N)74F191N	
D10	BL 74F374PC 8B.D-FLIPF 3S 8BIT-D-REGISTER	0344.6642.00	PHILIPS_SE	N74F374N	
D11	BL MM74HCOON 4X2IN.NAND QUAD 2-INPUT NAND GATE	0571.3194.00	PHILIPS_SE	(PC)74HCOON(P)	
D12	BL PC74HCT74P 2XD-FF DUAL D-FLIP-FLOP	0571.3436.00	PHILIPS_SE	(PC)74HCT74N(P)	
D13	BL PC74HCT74P 2XD-FF DUAL D-FLIP-FLOP	0571.3436.00	PHILIPS_SE	(PC)74HCT74N(P)	
D14	BL MM74HC112N 2XJK-FF DUAL J-K FLIPFLOP	0099.9770.00	PHILIPS_SE	(PC)74HC112N(P)	
D15	BL MM74HC4051N 8CH.AN.MUX 8CH.ANALOG MUX/DEMUX	0099.9670.00	PHILIPS	(PC)74HC4051N(P)	
D16	BL MM74HC74N 2XD-FLIPFL DUAL D FLIP-FLOP	0571.3171.00	PHILIPS_SE	(PC)74HC74N(P)	
D17	BL MM74HCOON 4X2IN.NAND QUAD 2-INPUT NAND GATE	0571.3194.00	PHILIPS_SE	(PC)74HCOON(P)	
D18	BL MM74HC191N U/D BI.CTR UP/DOWN BINARY COUNTER	0099.9586.00	PHILIPS_SE	(PC)74HC191N(P)	
D20	BL 74F161PC 4B.BIN.CNT 4BIT SYNC.PRES.BIN.COUNT.	0344.7103.00	PHILIPS_SE	(N)74F161AN	
D22	BL MM74HC390N 2X4B.COUNT DUAL 4-BIT DECADE COUNTER	0099.9640.00	PHILIPS_SE	(PC)74HC390N(P)	
D23	BL MC4044P PHASE-L-L PHASE LOCKED LOOP	BL 0443.2980.00	MOTOROLA	MC4044P	
D24	BL MC10116L 3XL. RECEIV LINE RECEIVER	BL 0282.3275.00	MOTOROLA	MC10116L	
D540	BS TL604CP 2X ANALOGSCH ANALOG SWITCH	BJ 0300.6199.00	TEXAS	TL604CP	
E330	BM SRA1 MIXER 0.5GHZ MIXER	BM 0207.3465.00	MINI-CIRCU	SRA1	
K580	SR 5V2000HM 1MAL UM 1 REED RELAY	SR 0267.5364.00	HAMLIN	HE721C0520	
L3	LD 2,20UH10%,400HMO,415A CHOKE	LD 0067.2905.00	DALE	IM2	
L4	LD 2,20UH10%,400HMO,415A CHOKE	LD 0067.2905.00	DALE	IM2	
L5	LD 2,20UH10%,400HMO,415A CHOKE	LD 0067.2905.00	DALE	IM2	
L20	LD 0,33UH10%,220HMO,830A CHOKE	LD 0067.2805.00	DALE	IM2	
L25	LD 0,33UH10%,220HMO,830A CHOKE	LD 0067.2805.00	DALE	IM2	
L35	LD 1,20UH10%,180HMO,620A CHOKE	LD 0067.2870.00	DALE	IM2	
L215	LD 10 UH 10% 3R3 144 MA CHOKE	LD 0026.4184.00	DALE	IM2	
L218	LD 10 UH 10% 3R3 144 MA CHOKE	LD 0026.4184.00	DALE	IM2	
L231	LD 3,30UH10%,850HMO,285A CHOKE	LD 0067.2928.00	DALE	IM2	
L235	LD 1,20UH10%,180HMO,620A CHOKE	LD 0067.2870.00	DALE	IM2	
L239	LD 1,20UH10%,180HMO,620A CHOKE	LD 0067.2870.00	DALE	IM2	
L241	LD 1,20UH10%,180HMO,620A CHOKE	LD 0067.2870.00	DALE	IM2	
L244	LD 1,20UH10%,180HMO,620A CHOKE	LD 0067.2870.00	DALE	IM2	
L250	LD 2,20UH10%,400HMO,415A CHOKE	LD 0067.2905.00	DALE	IM2	
L251	LD UKW-DR.Z=750 OHM 50MHZ CHOKE	LD 0026.4578.00	FASTRON_GE	06H-751X-00	
L270	LD 2,20UH10%,400HMO,415A CHOKE	LD 0067.2905.00	DALE	IM2	

MEZ15

790 3PLU

Äi

Datum Date

Schaltteilliste für Parts list for

Sachnummer Stock No.

Blatt-Nr. Page



ROHDE & SCHWARZ

66

03.05.99


EE FRN LOOP

0801.3917.01 SA

7+

wir uns alle Rechte vor.


Kennz. Comp. No.	Benennung Designation	Sachnummer Stock No.	Hersteller Manufacturer	Bezeichnung Designation	enthalten in contained in
L271	LD UKW-DR.Z=750 OHM 50MHZ CHOKE	LD 0026.4578.00	FASTRON_GE	06H-751X-00	
L272	LD 66NH 2,5W CM38P FE-K CHOKE	0303.9199.00	TOKO	301SS-0200	
L273	LD 2,20UH10%0,400HMO,415A CHOKE	LD 0067.2905.00	DALE	IM2	
L274	LD UKW-DR.Z=750 OHM 50MHZ CHOKE	LD 0026.4578.00	FASTRON_GE	06H-751X-00	
L277	LD 3,90UH10%1,000HMO,263A CHOKE	LD 0067.2934.00	DALE	IM2	
L285	LD 10 UH 10% 3R3 144 MA CHOKE	LD 0026.4184.00	DALE	IM2	
L312	LD 0,15UH10%0,100HM1,230A CHOKE	LD 0067.2763.00	DALE	IM2	
L317	LD 10 UH 10% 3R3 144 MA CHOKE	LD 0026.4184.00	DALE	IM2	
L323	LD 0,15UH10%0,100HM1,230A CHOKE	LD 0067.2763.00	DALE	IM2	
L327	LD 10 UH 10% 3R3 144 MA CHOKE	LD 0026.4184.00	DALE	IM2	
L340	LD 0,82UH10%0,850HMO,420A CHOKE	LD 0067.2857.00	DALE	IM2	
L341	LD 1,20UH10%0,180HMO,620A CHOKE	LD 0067.2870.00	DALE	IM2	
L342	LD 0,82UH10%0,850HMO,420A CHOKE	LD 0067.2857.00	DALE	IM2	
L347	LD 10 UH 10% 3R3 144 MA CHOKE	LD 0026.4184.00	DALE	IM2	
L350	LL SPULE 2,5 WDG COIL	0801.4871.00			0801.3946.00
L351	LD 287NH 8,5W CM18P FE-K COIL+CORE	0613.6289.00	TOKO	E521HN080023	
L364	LD 10 UH 10% 3R3 144 MA CHOKE	LD 0026.4184.00	DALE	IM2	
L367	LD 10 UH 10% 3R3 144 MA CHOKE	LD 0026.4184.00	DALE	IM2	
L374	LD 10 UH 10% 3R3 144 MA CHOKE	LD 0026.4184.00	DALE	IM2	
L375	LD 115NH 4,4W CM22P FE-K CHOKE	0300.6601.00	TOKO	E521 HN-040023	
L376	LL SPULE 1,5 WDG COIL	0801.4888.00			0801.3946.00
L385	LD 0,47UH10%0,350HMO,660A CHOKE	LD 0067.2828.00	DALE	IM2	
L386	LD 53NH 2,5W CM47P FE-K CHOKE	0300.6653.00	TOKO	E521 HN-020023	
L395	LD 10 UH 10% 3R3 144 MA CHOKE	LD 0026.4184.00	DALE	IM2	
L410	LD 0,18UH10%0,120HM1,120A CHOKE	LD 0067.2770.00	DALE	IM2	
L411	LD 53NH 2,5W CM47P FE-K CHOKE	0300.6653.00	TOKO	E521 HN-020023	
L414	LD 53NH 2,5W CM47P FE-K CHOKE	0300.6653.00	TOKO	E521 HN-020023	
L430	LD 10 UH 10% 3R3 144 MA CHOKE	LD 0026.4184.00	DALE	IM2	
L432	LD 188NH 11,5W CM13P5 ALU MOLDED COIL+ALU-CORE	0801.3952.00	TOKO	E521 AN-110013	
L435	LD 2,20UH10%0,400HMO,415A CHOKE	LD 0067.2905.00	DALE	IM2	
L436	LD 0,82UH10%0,850HMO,420A CHOKE	LD 0067.2857.00	DALE	IM2	
L437	0.56UH/LD 067.2834 0.68UH/LD 067.2840 LD 5,60UH10%1,800HMO,195A CHOKE	LD 0067.2957.00	DALE	IM2	
L438	LD 5,60UH10%1,800HMO,195A CHOKE	LD 0067.2957.00	DALE	IM2	
L455	LD 10 UH 10% 3R3 144 MA CHOKE	LD 0026.4184.00	DALE	IM2	
L465	LD 10 UH 10% 3R3 144 MA CHOKE	LD 0026.4184.00	DALE	IM2	
L467	LD 85NH 3,5W CM30P FE-K COI-CORE	0801.4865.00	TOKO	E521 HN-030023	
L471	LD 85NH 3,5W CM30P FE-K COI-CORE	0801.4865.00	TOKO	E521 HN-030023	
L472	LD 1,20UH10%0,180HMO,620A CHOKE	LD 0067.2870.00	DALE	IM2	

MEZ15	790 3PLU	ÄI	Datum Date	Schaltteilliste für Parts list for	Sachnummer Stock No.	Blatt-Nr. Page
	66	03.05.99	EE FRN LOOP	0801.3917.01 SA	8+	

095.0026-0693

Für diese Unterlage behalten wir uns alle Rechte vor.

Kennz. Comp. No.	Benennung Designation	Sachnummer Stock No.	Hersteller Manufacturer	Bezeichnung Designation	enthalten in contained in
L480	LD 1,00UH10%1,00OHMO,390A CHOKE	LD 0067.2863.00	DALE	IM2	
L485	LD 0,15UH10%0,100HM1,230A CHOKE	LD 0067.2763.00	DALE	IM2	
L487	LD 10 UH 10% 3R3 144 MA CHOKE	LD 0026.4184.00	DALE	IM2	
L492	LD 85NH 3,5W CM30P FE-K COI-CORE	0801.4865.00	TOKO	E521 HN-030023	
L493	LD 0,47UH10%0,350HMO,660A CHOKE	LD 0067.2828.00	DALE	IM2	
L498	LD 10 UH 10% 3R3 144 MA CHOKE	LD 0026.4184.00	DALE	IM2	
L511	LD 0,15UH10%0,100HM1,230A CHOKE	LD 0067.2763.00	DALE	IM2	
L512	LD 0,18UH10%0,120HM1,120A CHOKE	LD 0067.2770.00	DALE	IM2	
L521	LD 10 UH 10% 3R3 144 MA CHOKE	LD 0026.4184.00	DALE	IM2	
L522	LD 10 UH 10% 3R3 144 MA CHOKE	LD 0026.4184.00	DALE	IM2	
L550	LD 1,50UH10%0,220HMO,560A CHOKE	LD 0067.2886.00	DALE	IM2	
L551	LD 1,50UH10%0,220HMO,560A CHOKE	LD 0067.2886.00	DALE	IM2	
L560	LD 10 UH 10% 3R3 144 MA CHOKE	LD 0026.4184.00	DALE	IM2	
L592	LD 3,30UH10%0,850HMO,285A CHOKE	LD 0067.2928.00	DALE	IM2	
N40	BO OPO7CP OPAMP OPERATIONAL AMPLIFIER	BO 0394.8884.00	PMI	OP 07 CP	
N50	BO OPO7CP OPAMP OPERATIONAL AMPLIFIER	BO 0394.8884.00	PMI	OP 07 CP	
N60	BO LF412CN 2XFET OPAMP OPERATIONAL AMPLIFIER	0356.0521.00	NSC	LF412CN	
N120	BO NE5532AFE 2XLN OPAMP OPERATIONAL AMPLIFIER	BO 0356.0450.00	SIGNETICS	NE5532AFE	
N130	BO LM318P OPAMP OPERATIONAL AMPLIFIER	0280.2459.00	TEXAS	LM318P	
N145	AK CA3146AE 5XN TR.ARRAY TRANSISTOR ARRAY	AK 0249.6633.00	RCA	CA3146AE	
N170	BO NE5532AFE 2XLN OPAMP OPERATIONAL AMPLIFIER	BO 0356.0450.00	SIGNETICS	NE5532AFE	
N180	BS TL191CN 4X ANALOGSCH ANALOG SWITCH	BJ 0300.6182.00	TEXAS	TL191CN	
N200	BO LM339N 4X COMPAR COMPARATOR	0342.2062.00	NSC	LM339N	
N520	BO RC4558DN 2X OPAMP OPERATIONAL AMPLIFIER	BO 0475.1672.00	TEXAS_INST	RC4558P	
N530	BO LF411CN FET OPAMP OPERATIONAL AMPLIFIER	0349.3058.00	NSC	LF411CN	
N550	BJ SN75140P 2XLINE REC LINE RECEIVER	0801.8254.00	TEXAS	SN75140P	
P1 ..24	VL WIRE-WRAP PIN L=11,6 WIRE-WRAP PIN	0088.4542.00	DUPONT CON	75403-003	
R3	RL 0,60W 150 OHM+-1%TK50 RESISTOR	RL 0082.9942.00	RESISTA	MK2	
R4	RL 0,60W 150 OHM+-1%TK50 RESISTOR	RL 0082.9942.00	RESISTA	MK2	
R5	RL 0,60W 150 OHM+-1%TK50 RESISTOR	RL 0082.9942.00	RESISTA	MK2	
R9	RL 0,60W 4,75KOHM+-1%TK50 RESISTOR	RL 0083.1097.00	PHILIPS_CO	MRS 25	
R10	RL 0,60W 18,2KOHM+-1%TK50 RESISTOR	RL 0083.1480.00	PHILIPS_CO	MRS 25	
R14	RL 0,60W 6,81KOHM+-1%TK50 RESISTOR	RL 0082.2560.00	RESISTA	MK2	
R15	RL 0,60W 221 KOHM+-1%TK50 RESISTOR	RL 0083.2270.00	RESISTA	MK2	
R16	RL 0,60W 100KOHM+-1%TK50 RESISTOR	RL 0082.1764.00	RESISTA	MK2	
R17	RL 0,60W 4,75KOHM+-1%TK50 RESISTOR	RL 0083.1097.00	PHILIPS_CO	MRS 25	
R19	RL 0,60W 562 OHM+-1%TK50 RESISTOR	RL 0083.0461.00	RESISTA	MK2	


MEZ15	790 3PLU	ÄI	Datum Date	Schaltteilliste für Parts list for	Sachnummer Stock No.	Blatt-Nr. Page
	ROHDE & SCHWARZ	66	03.05.99	EE FRN LOOP	0801.3917.01 SA	9+

095.0026-0693

wir uns alle Rechte vor.

Kennz. Comp. No.	Benennung Designation	Sachnummer Stock No.	Hersteller Manufacturer	Bezeichnung Designation	enthalten in contained in
R20	RL 0,60W 221 OHM+-1%TK50 RESISTOR	RL 0083.0084.00	PHILIPS_CO	MRS 25	
R21	RL 0,60W 332 OHM+-1%TK50 RESISTOR	RL 0083.0255.00	RESISTA	MK2	
R25	RL 0,60W 221 OHM+-1%TK50 RESISTOR	RL 0083.0084.00	PHILIPS_CO	MRS 25	
R26	RL 0,60W 332 OHM+-1%TK50 RESISTOR	RL 0083.0255.00	RESISTA	MK2	
R27	RL 0,60W 4,75KOHM+-1%TK50 RESISTOR	RL 0083.1097.00	PHILIPS_CO	MRS 25	
R28	RL 0,60W 4,75KOHM+-1%TK50 RESISTOR	RL 0083.1097.00	PHILIPS_CO	MRS 25	
R35	RL 0,60W 150 OHM+-1%TK50 RESISTOR	RL 0082.9942.00	RESISTA	MK2	
R36	RL 0,60W 4,75KOHM+-1%TK50 RESISTOR	RL 0083.1097.00	PHILIPS_CO	MRS 25	
R37	RL 0,60W 4,75KOHM+-1%TK50 RESISTOR	RL 0083.1097.00	PHILIPS_CO	MRS 25	
R40	RL 0,60W 3,32KOHM+-1%TK50 RESISTOR	RL 0083.0990.00	RESISTA	MK2	
R41	RL 0,60W 3,32KOHM+-1%TK50 RESISTOR	RL 0083.0990.00	RESISTA	MK2	
R42	RL 0,60W 33,2KOHM+-1%TK50 RESISTOR	RL 0083.1674.00	RESISTA	MK2	
R43	RL 0,60W 33,2KOHM+-1%TK50 RESISTOR	RL 0083.1674.00	RESISTA	MK2	
R44	RL 0,60W 47,5KOHM+-1%TK50 RESISTOR	RL 0083.1800.00	RESISTA	MK2	
R45	RN 1X30K1/4X3K/1X2,74K/2X RESISTOR NETWORK	0801.4842.00	EBG	UPRN 11	
R50	RL 0,60W 33,2KOHM+-1%TK50 RESISTOR	RL 0083.1674.00	RESISTA	MK2	
R51	RL 0,60W 33,2KOHM+-1%TK50 RESISTOR	RL 0083.1674.00	RESISTA	MK2	
R52	RL 0,60W 47,5KOHM+-1%TK50 RESISTOR	RL 0083.1800.00	RESISTA	MK2	
R60	RL 0,60W 33,2KOHM+-1%TK50 RESISTOR	RL 0083.1674.00	RESISTA	MK2	
R61	RL 0,60W 33,2KOHM+-1%TK50 RESISTOR	RL 0083.1674.00	RESISTA	MK2	
R62	RL 0,60W 47,5KOHM+-1%TK50 RESISTOR	RL 0083.1800.00	RESISTA	MK2	
R65	RL 0,60W 301 KOHM+-1%TK50 RESISTOR	RL 0083.2406.00	RESISTA	MK2	
R66	RL 0,60W 301 KOHM+-1%TK50 RESISTOR	RL 0083.2406.00	RESISTA	MK2	
R67	RL 0,60W 47,5KOHM+-1%TK50 RESISTOR	RL 0083.1800.00	RESISTA	MK2	
R68	RL 0,35W29,8KOHM+-0,1%T25 RESISTOR	RL 0084.3970.00	DRALORIC	SMA0207	
R70	RL 0,60W 4,75KOHM+-1%TK50 RESISTOR	RL 0083.1097.00	PHILIPS_CO	MRS 25	
R71	RL 0,60W 47,5 OHM+-1%TK50 RESISTOR	RL 0082.9507.00	RESISTA	MK2	
R75	RL 0,60W 3,92KOHM+-1%TK50 RESISTOR	RL 0083.1039.00	PHILIPS_CO	MRS 25	
R83	RL 0,60W 68,1KOHM+-1%TK50 RESISTOR	RL 0082.2602.00	RESISTA	MK2	
R90	RL 0,60W 15,0KOHM+-1%TK50 RESISTOR	RL 0083.1400.00	RESISTA	MK2	
R91	RS 0,3W 10KOHM+-10%TCERMET TRIMMING POTENTIOMETER	RS 0006.9145.00	BI_TECHNOL	67W	
R92	RL 0,60W 100 OHM+-1%TK50 RESISTOR	RL 0082.6543.00	PHILIPS_CO	MRS 25	
R93	RL 0,60W 16,2KOHM+-1%TK50 RESISTOR	RL 0083.1439.00	RESISTA	MK2	
R94	RS 0,5W10KOHM+-10%10X10X5 TCERMET POTENTIOMETER T	RS 0247.7903.00	BI_TECHNOL	72PM	
R95	RL 0,35W30,1KOHM+-0,1%T25 RESISTOR	RL 0084.3987.00	DRALORIC	SMA0207	
R96	RL 0,35W301 OHM+-0,1%TK25 RESISTOR	RL 0083.8140.00	DRALORIC	SMA0207	
R97	RL 0,60W 301 KOHM+-1%TK50 RESISTOR	RL 0083.2406.00	RESISTA	MK2	
R98	RL 0,60W 301 OHM+-1%TK50 RESISTOR	RL 0083.0210.00	RESISTA	MK2	


095.0026-0693

MEZ15	790 3PLU	ÄI	Datum Date	Schaltteilliste für Parts list for	Sachnummer Stock No.	Blatt-Nr. Page
	66	03.05.99	EE FRN LOOP	0801.3917.01 SA	10+	

Für diese Unterlage behalten wir uns alle Rechte vor.


Kennz. Comp. No.	Benennung Designation	Sachnummer Stock No.	Hersteller Manufacturer	Bezeichnung Designation	enthalten in contained in
R99	RL 0,60W 47,5 OHM+-1%TK50 RESISTOR	RL 0082.9507.00	RESISTA	MK2	
R100	RL 0,60W 2,74KOHM+-1%TK50 RESISTOR	RL 0083.0926.00	PHILIPS_CO	MRS 25	
R101	RL 0,60W 4,75KOHM+-1%TK50 RESISTOR	RL 0083.1097.00	PHILIPS_CO	MRS 25	
R102	RL 0,60W 4,32KOHM+-1%TK50 RESISTOR	RL 0082.6572.00	RESISTA	MK2	
R103	RL 0,60W 11,0KOHM+-1%TK50 RESISTOR	RL 0083.1322.00	RESISTA	MK2	
R104	RL 0,60W 10,0KOHM+-1%TK50 RESISTOR	RL 0083.1297.00	PHILIPS_CO	MRS 25	
R105	RL 0,60W 10,0KOHM+-1%TK50 RESISTOR	RL 0083.1297.00	PHILIPS_CO	MRS 25	
R106	RL 0,60W 10,0KOHM+-1%TK50 RESISTOR	RL 0083.1297.00	PHILIPS_CO	MRS 25	
R120	RL 0,35W1,24KOHM+-0,1%T25 RESISTOR	RL 0083.9323.00	DRALORIC	SMA0207	
R121	RL 0,35W1,24KOHM+-0,1%T25 RESISTOR	RL 0083.9323.00	DRALORIC	SMA0207	
R122	RL 0,60W 47,5 OHM+-1%TK50 RESISTOR	RL 0082.9507.00	RESISTA	MK2	
R123	RL 0,35W5,11KOHM+-0,1%T25 RESISTOR	RL 0084.2500.00	DRALORIC	SMA0207	
R124	RL 0,60W 47,5 OHM+-1%TK50 RESISTOR	RL 0082.9507.00	RESISTA	MK2	
R126	RL 0,60W 100KOHM+-1%TK50 RESISTOR	RL 0082.1764.00	RESISTA	MK2	
R127	RL 0,60W 100KOHM+-1%TK50 RESISTOR	RL 0082.1764.00	RESISTA	MK2	
R132	RL 0,60W 47,5 OHM+-1%TK50 RESISTOR	RL 0082.9507.00	RESISTA	MK2	
R133	RL 0,60W 100 OHM+-1%TK50 RESISTOR	RL 0082.6543.00	PHILIPS_CO	MRS 25	
R137	RL 0,60W 3,92KOHM+-1%TK50 RESISTOR	RL 0083.1039.00	PHILIPS_CO	MRS 25	
R140	RL 0,60W 121 OHM+-1%TK50 RESISTOR	RL 0082.9859.00	RESISTA	MK2	
R141	RL 0,60W 100 OHM+-1%TK50 RESISTOR	RL 0082.6543.00	PHILIPS_CO	MRS 25	
R145	RL 0,60W 1,50KOHM+-1%TK50 RESISTOR	RL 0083.0732.00	PHILIPS_CO	MRS 25	
R146	RL 0,60W 1,50KOHM+-1%TK50 RESISTOR	RL 0083.0732.00	PHILIPS_CO	MRS 25	
R147	RL 0,60W 681 OHM+-1%TK50 RESISTOR	RL 0083.0490.00	RESISTA	MK2	
R148	RL 0,60W 1,50KOHM+-1%TK50 RESISTOR	RL 0083.0732.00	PHILIPS_CO	MRS 25	
R149	RL 0,60W 1,50KOHM+-1%TK50 RESISTOR	RL 0083.0732.00	PHILIPS_CO	MRS 25	
R150	RL 0,60W 681 OHM+-1%TK50 RESISTOR	RL 0083.0490.00	RESISTA	MK2	
R151	RL 0,60W 332 OHM+-1%TK50 RESISTOR	RL 0083.0255.00	RESISTA	MK2	
R160	RL 0,60W 562 OHM+-1%TK50 RESISTOR	RL 0083.0461.00	RESISTA	MK2	
R161	RL 0,60W 332 OHM+-1%TK50 RESISTOR	RL 0083.0255.00	RESISTA	MK2	
R162	RL 0,60W 392 OHM+-1%TK50 RESISTOR	RL 0082.2183.00	RESISTA	MK2	
R163	RL 0,60W 392 OHM+-1%TK50 RESISTOR	RL 0082.2183.00	RESISTA	MK2	
R164	RL 0,60W 2,74KOHM+-1%TK50 RESISTOR	RL 0083.0926.00	PHILIPS_CO	MRS 25	
R165	RL 0,60W 392 OHM+-1%TK50 RESISTOR	RL 0082.2183.00	RESISTA	MK2	
R166	RL 0,60W 1,21KOHM+-1%TK50 RESISTOR	RL 0083.0655.00	RESISTA	MK2	
R167	RL 0,60W 15,0KOHM+-1%TK50 RESISTOR	RL 0083.1400.00	RESISTA	MK2	
R173	RL 0,60W 332 OHM+-1%TK50 RESISTOR	RL 0083.0255.00	RESISTA	MK2	
R174	RL 0,60W 392 OHM+-1%TK50 RESISTOR	RL 0082.2183.00	RESISTA	MK2	
R175	RL 0,60W 10,2KOHM+-1%TK50 RESISTOR	RL 0082.2331.00	RESISTA	MK2	
R176	RL 0,60W 10,0KOHM+-1%TK50 RESISTOR	RL 0083.1297.00	PHILIPS_CO	MRS 25	

095.0026-0693

MEZ15	790 3PLU	Äi	Datum Date	Schaltteilliste für Parts list for	Sachnummer Stock No.	Blatt-Nr. Page
		66	03.05.99	EE FRN LOOP	0801.3917.01 SA	11+

Wir uns alle Rechte vor.


Kennz. Comp. No.	Benennung Designation	Sachnummer Stock No.	Hersteller Manufacturer	Bezeichnung Designation	enthalten in contained in
R177	RL 0,60W 221 OHM+-1%TK50 RESISTOR	RL 0083.0084.00	PHILIPS_CO	MRS 25	
R180	RL 0,60W 22,1KOHM+-1%TK50 RESISTOR	RL 0083.1545.00	RESISTA	MK2	
R181	RL 0,60W 309 KOHM+-1%TK50 RESISTOR	RL 0083.2412.00	RESISTA	MK2	
R182	RL 0,60W 562 OHM+-1%TK50 RESISTOR	RL 0083.0461.00	RESISTA	MK2	
R183	RL 0,60W 40,2KOHM+-1%TK50 RESISTOR	RL 0083.1751.00	RESISTA	MK2	
R184	RL 0,60W 19,6KOHM+-1%TK50 RESISTOR	RL 0083.1516.00	RESISTA	MK2	
R185	RL 0,60W 5,11KOHM+-1%TK50 RESISTOR	RL 0082.2348.00	RESISTA	MK2	
R186	RL 0,60W 7,87KOHM+-1%TK50 RESISTOR	RL 0083.1216.00	PHILIPS_CO	MRS 25	
R190	RL 0,60W 47,5 OHM+-1%TK50 RESISTOR	RL 0082.9507.00	RESISTA	MK2	
R191	RL 0,60W 100KOHM+-1%TK50 RESISTOR	RL 0082.1764.00	RESISTA	MK2	
R192	RL 0,60W 301 KOHM+-1%TK50 RESISTOR	RL 0083.2406.00	RESISTA	MK2	
R193	RL 0,60W 75,0KOHM+-1%TK50 RESISTOR	RL 0083.1916.00	RESISTA	MK2	
R201	RL 0,60W 3,92KOHM+-1%TK50 RESISTOR	RL 0083.1039.00	PHILIPS_CO	MRS 25	
R202	RL 0,60W 18,2KOHM+-1%TK50 RESISTOR	RL 0083.1480.00	PHILIPS_CO	MRS 25	
R203	RL 0,60W 1KOHM+-1%TK50 RESISTOR	RL 0082.2160.00	PHILIPS_CO	MRS 25	
R204	RL 0,60W 6,19KOHM+-1%TK50 RESISTOR	RL 0082.2283.00	RESISTA	MK2	
R205	RL 0,60W 16,2KOHM+-1%TK50 RESISTOR	RL 0083.1439.00	RESISTA	MK2	
R206	RL 0,60W 1KOHM+-1%TK50 RESISTOR	RL 0082.2160.00	PHILIPS_CO	MRS 25	
R208	RL 0,60W 2,21KOHM+-1%TK50 RESISTOR	RL 0082.2477.00	RESISTA	MK2	
R209	RL 0,60W 2,21KOHM+-1%TK50 RESISTOR	RL 0082.2477.00	RESISTA	MK2	
R216	RL 0,60W 10,0 OHM+-1%TK50 RESISTOR	RL 0082.8852.00	PHILIPS_CO	MRS 25	
R220	RL 0,60W 10,0 OHM+-1%TK50 RESISTOR	RL 0082.8852.00	PHILIPS_CO	MRS 25	
R221	RL 0,60W 10,0 OHM+-1%TK50 RESISTOR	RL 0082.8852.00	PHILIPS_CO	MRS 25	
R222	RL 0,60W 10,0 OHM+-1%TK50 RESISTOR	RL 0082.8852.00	PHILIPS_CO	MRS 25	
R260	RL 0,60W 15,0KOHM+-1%TK50 RESISTOR	RL 0083.1400.00	RESISTA	MK2	
R265	RL 0,60W 1,21KOHM+-1%TK50 RESISTOR	RL 0083.0655.00	RESISTA	MK2	
R277	RL 0,60W 100 OHM+-1%TK50 RESISTOR	RL 0082.6543.00	PHILIPS_CO	MRS 25	
R278	RL 0,60W 1,50KOHM+-1%TK50 RESISTOR	RL 0083.0732.00	PHILIPS_CO	MRS 25	
R280	RL 0,60W 182 OHM+-1%TK50 RESISTOR	RL 0083.0010.00	RESISTA	MK2	
R290	RG 1,0 KO +-1%TK100 1206 CHIP RESISTOR	RG 0006.7271.00	PHILIPS_CO	RC02	
R291	RG 5,62KOHM+-1%TK100 1206 CHIP RESISTOR	RG 0007.0735.00	PHILIPS_CO	RC02	
R292	RG 215 OHM+-1%TK100 1206 CHIP RESISTOR	0006.8961.00	ROEDERSTEI	D25	
R293	RL 0,60W 392 OHM+-1%TK50 RESISTOR	RL 0082.2183.00	RESISTA	MK2	
R300	RL 0,60W 332 OHM+-1%TK50 RESISTOR	RL 0083.0255.00	RESISTA	MK2	
R301	RL 0,60W 100KOHM+-1%TK50 RESISTOR	RL 0082.1764.00	RESISTA	MK2	
R310	RL 0,60W 39,2 OHM+-1%TK50 RESISTOR	RL 0082.9420.00	RESISTA	MK2	
R311	RL 0,60W 68,1 OHM+-1%TK50 RESISTOR	RL 0082.9636.00	RESISTA	MK2	
R312	RG 6,81KOHM+-1%TK100 1206 CHIP RESISTOR	RG 0007.0758.00	PHILIPS_CO	RC02	
R313	RG 1,47KOHM+-1%TK100 1206 CHIP RESISTOR	0006.9980.00	PHILIPS_CO	RC02	

MEZ15	790 3PLU	Äi	Datum Date	Schaltteilliste für Parts list for	Sachnummer Stock No.	Blatt-Nr. Page
		66	03.05.99	EE FRN LOOP	0801.3917.01 SA	12+

095.0026-0693

Für diese Unterlage behalten wir uns alle Rechte vor.


Kennz. Comp. No.	Benennung Designation	Sachnummer Stock No.	Hersteller Manufacturer	Bezeichnung Designation	enthalten in contained in
R314	RL 0,60W 392 OHM+-1%TK50 RESISTOR	RL 0082.2183.00	RESISTA	MK2	
R315	RG 10,0 OHM+-1%TK100 1206 CHIP -RESISTOR	RG 0006.8649.00	PHILIPS_CO	RCO2	
R316	RL 0,60W 475 OHM+-1%TK50 RESISTOR	RL 0083.0390.00	PHILIPS_CO	MRS 25	
R317	RG 10,0 OHM+-1%TK100 1206 CHIP -RESISTOR	RG 0006.8649.00	PHILIPS_CO	RCO2	
R320	RL 0,60W 61,9 OHM+-1%TK50 RESISTOR	RL 0082.9607.00	RESISTA	MK2	
R321	RL 0,60W 68, 1 OHM+-1%TK50 RESISTOR	RL 0082.9636.00	RESISTA	MK2	
R322	RG 8,25KOHM+-1%TK100 1206 CHIP RESISTOR	RG 0007.0770.00	PHILIPS_CO	RCO2	
R323	RG 1,21KOHM+-1%TK100 1206 CHIP RESISTOR	RG 0006.9968.00	PHILIPS_CO	RCO2	
R324	RL 0,60W 392 OHM+-1%TK50 RESISTOR	RL 0082.2183.00	RESISTA	MK2	
R325	RG 14,7OHM+-1%TK100 1206 CHIP RESISTOR	0006.8684.00	DRALORIC	CB 1206 ...	
R327	RG 10,0 OHM+-1%TK100 1206 CHIP -RESISTOR	RG 0006.8649.00	PHILIPS_CO	RCO2	
R330	RL 0,60W 475 OHM+-1%TK50 RESISTOR	RL 0083.0390.00	PHILIPS_CO	MRS 25	
R331	RL 0,60W 68, 1 OHM+-1%TK50 RESISTOR	RL 0082.9636.00	RESISTA	MK2	
R332	RL 0,60W 150 OHM+-1%TK50 RESISTOR	RL 0082.9942.00	RESISTA	MK2	
R333	RL 0,60W 68, 1 OHM+-1%TK50 RESISTOR	RL 0082.9636.00	RESISTA	MK2	
R340	RG 46,4 OHM+-1%TK100 1206 CHIP RESISTOR	0006.8803.00	DRALORIC	CB 1206 ...	
R342	RL 0,60W 68, 1 OHM+-1%TK50 RESISTOR	RL 0082.9636.00	RESISTA	MK2	
R343	RL 0,60W 10,0KOHM+-1%TK50 RESISTOR	RL 0083.1297.00	PHILIPS_CO	MRS 25	
R344	RL 0,60W 221 OHM+-1%TK50 RESISTOR	RL 0083.0084.00	PHILIPS_CO	MRS 25	
R345	RG 10,0 OHM+-1%TK100 1206 CHIP -RESISTOR	RG 0006.8649.00	PHILIPS_CO	RCO2	
R346	RG 10,0 OHM+-1%TK100 1206 CHIP -RESISTOR	RG 0006.8649.00	PHILIPS_CO	RCO2	
R347	RL 0,60W 2,21KOHM+-1%TK50 RESISTOR	RL 0082.2477.00	RESISTA	MK2	
R348	RL 0,60W 150 OHM+-1%TK50 RESISTOR	RL 0082.9942.00	RESISTA	MK2	
R351	RL 0,60W 1,82KOHM+-1%TK50 RESISTOR	RL 0082.2277.00	PHILIPS_CO	MRS 25	
R352	RL 0,60W 56,2 OHM+-1%TK50 RESISTOR	RL 0082.9571.00	RESISTA	MK2	
R360	RG 15,0KOHM+-1%TK100 1206 RESISTOR CHIP TRIMMWERT/SELECTED 10K-50K	RG 0007.5843.00	PHILIPS_CO	RCO2	
R361	RL 0,60W 22,1KOHM+-1%TK50 RESISTOR	RL 0083.1545.00	RESISTA	MK2	
R362	RG 464 OHM+-1%TK100 1206 CHIP RESISTOR	0006.9045.00	DRALORIC	CB 1206 ...	
R363	RL 0,60W 121KOHM+-1%TK50 RESISTOR	RL 0083.2070.00	RESISTA	MK2	
R365	RL 0,60W 100KOHM+-1%TK50 RESISTOR	RL 0082.1764.00	RESISTA	MK2	
R370	RG 10,0KOHM+-1%TK100 1206 RG CHIP RESISTOR	RG 0007.0793.00	PHILIPS_CO	RCO2	
R371	RL 0,60W 22,1KOHM+-1%TK50 RESISTOR	RL 0083.1545.00	RESISTA	MK2	
R372	RG 464 OHM+-1%TK100 1206 CHIP RESISTOR	0006.9045.00	DRALORIC	CB 1206 ...	
R373	RL 0,60W 121KOHM+-1%TK50 RESISTOR	RL 0083.2070.00	RESISTA	MK2	
R375	RL 0,60W 100KOHM+-1%TK50 RESISTOR	RL 0082.1764.00	RESISTA	MK2	
R376	RG 215 OHM+-1%TK100 1206 CHIP RESISTOR	0006.8961.00	ROEDERSTEI	D25	
R380	RS 0,5W10KOHM+-10%10X10X5 CERMET POTENTIOMETER T	RS 0247.7903.00	BI_TECHNOL	72PM	
R381	RL 0,60W 22,1KOHM+-1%TK50 RESISTOR	RL 0083.1545.00	RESISTA	MK2	

MEZ15	790 3PLU	ÄI	Datum Date	Schaltteilliste für Parts list for	Sachnummer Stock No.	Blatt-Nr. Page
		66	03.05.99	EE FRN LOOP	0801.3917.01 SA	13+

095.0026-0693

Wir uns alle Rechte vor.

Kennz. Comp. No.	Benennung Designation	Sachnummer Stock No.	Hersteller Manufacturer	Bezeichnung Designation	enthalten in contained in
R382	RS 0,5W10KOHM+-10%10X10X5 CERMET POTENTIOMETER T	RS 0247.7903.00	BI_TECHNOL	72PM	
R383	RL 0,60W 22,1KOHM+-1%TK50 RESISTOR	RL 0083.1545.00	RESISTA	MK2	
R384	RL 0,60W 100KOHM+-1%TK50 RESISTOR	RL 0082.1764.00	RESISTA	MK2	
R387	RL 0,60W 274 OHM+-1%TK50 RESISTOR	RL 0083.0178.00	RESISTA	MK2	
R388	RL 0,60W22,10 OHM+-1%TK50 RESISTOR	RL 0082.9188.00	RESISTA	MK2	
R390	RL 0,60W 432 OHM+-1%TK50 DEPOS.-CARBON RESISTOR	RL 0083.0355.00	RESISTA	MK2	
R391	RL 0,60W 365 OHM+-1%TK50 RESISTOR	RL 0083.0290.00	RESISTA	MK2	
R392	RL 0,60W 3,01KOHM+-1%TK50 RESISTOR	RL 0083.0961.00	RESISTA	MK2	
R393	RL 0,60W 274 OHM+-1%TK50 RESISTOR	RL 0083.0178.00	RESISTA	MK2	
R394	RG 12,1 OHM+-1%TK100 1206 CHIP RESISTOR	RG 0006.8661.00	PHILIPS_CO	RC02	
R395	RG 12,1 OHM+-1%TK100 1206 CHIP RESISTOR	RG 0006.8661.00	PHILIPS_CO	RC02	
R400	RL 0,60W 100KOHM+-1%TK50 RESISTOR	RL 0082.1764.00	RESISTA	MK2	
R401	RL 0,60W 332 OHM+-1%TK50 RESISTOR	RL 0083.0255.00	RESISTA	MK2	
R402	RL 0,60W22,10 OHM+-1%TK50 RESISTOR	RL 0082.9188.00	RESISTA	MK2	
R403	RL 0,60W 274 OHM+-1%TK50 RESISTOR	RL 0083.0178.00	RESISTA	MK2	
R415	RL 0,60W 274 OHM+-1%TK50 RESISTOR	RL 0083.0178.00	RESISTA	MK2	
R416	RL 0,60W22,10 OHM+-1%TK50 RESISTOR	RL 0082.9188.00	RESISTA	MK2	
R417	RL 0,60W 274 OHM+-1%TK50 RESISTOR	RL 0083.0178.00	RESISTA	MK2	
R420	RL 0,60W 301 KOHM+-1%TK50 RESISTOR	RL 0083.2406.00	RESISTA	MK2	
R421	RL 0,60W 100KOHM+-1%TK50 RESISTOR	RL 0082.1764.00	RESISTA	MK2	
R422	RL 0,60W 825 OHM+-1%TK50 RESISTOR	RL 0082.2502.00	RESISTA	MK2	
R423	RL 0,60W 1,50KOHM+-1%TK50 RESISTOR	RL 0083.0732.00	PHILIPS_CO	MRS 25	
R429	RL 0,60W 39,2 OHM+-1%TK50 RESISTOR	RL 0082.9420.00	RESISTA	MK2	
R430	RG 82,5 OHM+-1%TK100 1206 CHIP RESISTOR	RG 0006.8861.00	PHILIPS_CO	RC02	
R431	RL 0,60W 221 OHM+-1%TK50 RESISTOR	RL 0083.0084.00	PHILIPS_CO	MRS 25	
R432	RG 10,0KOHM+-1%TK100 1206 RG CHIP RESISTOR	RG 0007.0793.00	PHILIPS_CO	RC02	
R433	RL 0,60W 10,0KOHM+-1%TK50 RESISTOR	RL 0083.1297.00	PHILIPS_CO	MRS 25	
R436	RG 34,8 OHM+-1%TK100 1206 CHIP RESISTOR	0006.8778.00	ROEDERSTEI	D25	
R437	RG 4,64KOHM+-1%TK100 1206 CHIP RESISTOR	0007.0712.00	DRALORIC	CB 1206 . . .	
R438	RG 332 OHM+-1%TK100 1206 RESISTOR CHIP	RG 0007.5650.00	PHILIPS_CO	RC02	
R439	RG 2,37KOHM+-1%TK100 1206 CHIP RESISTOR	0007.0641.00	DRALORIC	CB 1206 . . .	
R440	RL 0,60W 1KOHM+-1%TK50 RESISTOR	RL 0082.2160.00	PHILIPS_CO	MRS 25	
R441	RL 0,60W 562 OHM+-1%TK50 RESISTOR	RL 0083.0461.00	RESISTA	MK2	
R442	RL 0,60W 562 OHM+-1%TK50 RESISTOR	RL 0083.0461.00	RESISTA	MK2	
R443	RL 0,60W 182 OHM+-1%TK50 RESISTOR	RL 0083.0010.00	RESISTA	MK2	
R450	RL 0,60W 121 OHM+-1%TK50 RESISTOR	RL 0082.9859.00	RESISTA	MK2	
R451	RL 0,60W 47,5 OHM+-1%TK50 RESISTOR	RL 0082.9507.00	RESISTA	MK2	
R452	RL 0,60W 2,21KOHM+-1%TK50 RESISTOR	RL 0082.2477.00	RESISTA	MK2	
R453	RL 0,60W 221 OHM+-1%TK50 RESISTOR	RL 0083.0084.00	PHILIPS_CO	MRS 25	


MEZ15	790 3PLU	Äi	Datum Date	Schaltteilliste für Parts list for	Sachnummer Stock No.	Blatt-Nr. Page
		66	03.05.99	EE FRN LOOP	0801.3917.01 SA	14+

095.0026-0693

Für diese Unterlage behalten
wir uns alle Rechte vor.

Kennz. Comp. No.	Benennung Designation	Sachnummer Stock No.	Hersteller Manufacturer	Bezeichnung Designation	enthalten in contained in
R460	RL 0,60W 4,75KOHM+-1%TK50 RESISTOR	RL 0083.1097.00	PHILIPS_CO	MRS 25	
R461	RL 0,60W 8,25KOHM+-1%TK50 RESISTOR	RL 0083.1239.00	RESISTA	MK2	
R462	RL 0,60W 332 OHM+-1%TK50 RESISTOR	RL 0083.0255.00	RESISTA	MK2	
R463	RL 0,60W 47,5 OHM+-1%TK50 RESISTOR	RL 0082.9507.00	RESISTA	MK2	
R464	RL 0,60W 475 OHM+-1%TK50 RESISTOR	RL 0083.0390.00	PHILIPS_CO	MRS 25	
R465	RG 4,75OHM+-1%TK100 1206 CHIP-RESISTOR	RG 0007.8420.00	PHILIPS	RC 02	
R472	RL 0,60W27,40 OHM+-1%TK50 RESISTOR	RL 0082.9271.00	RESISTA	MK2	
R473	RL 0,60W 82,5 OHM+-1%TK50 RESISTOR	RL 0082.9707.00	RESISTA	MK2	
R479	RG 10,0 OHM+-1%TK100 1206 CHIP -RESISTOR	RG 0006.8649.00	PHILIPS_CO	RC02	
R480	RL 0,60W27,40 OHM+-1%TK50 RESISTOR	RL 0082.9271.00	RESISTA	MK2	
R481	RL 0,60W 82,5 OHM+-1%TK50 RESISTOR	RL 0082.9707.00	RESISTA	MK2	
R482	RG 1,21KOHM+-1%TK100 1206 CHIP RESISTOR	RG 0006.9968.00	PHILIPS_CO	RC02	
R483	RG 8,25KOHM+-1%TK100 1206 CHIP RESISTOR	RG 0007.0770.00	PHILIPS_CO	RC02	
R484	RL 0,60W 392 OHM+-1%TK50 RESISTOR	RL 0082.2183.00	RESISTA	MK2	
R485	RL 0,60W 475 OHM+-1%TK50 RESISTOR	RL 0083.0390.00	PHILIPS_CO	MRS 25	
R486	RL 0,60W 332 OHM+-1%TK50 RESISTOR	RL 0083.0255.00	RESISTA	MK2	
R487	RL 0,60W18,20 OHM+-1%TK50 RESISTOR	RL 0082.9107.00	RESISTA	MK2	
R488	RL 0,60W 332 OHM+-1%TK50 RESISTOR	RL 0083.0255.00	RESISTA	MK2	
R489	RG 14,7OHM+-1%TK100 1206 CHIP RESISTOR	0006.8684.00	DRALORIC	CB 1206 ...	
R490	RG 1,21KOHM+-1%TK100 1206 CHIP RESISTOR	RG 0006.9968.00	PHILIPS_CO	RC02	
R491	RG 8,25KOHM+-1%TK100 1206 CHIP RESISTOR	RG 0007.0770.00	PHILIPS_CO	RC02	
R492	RL 0,60W 392 OHM+-1%TK50 RESISTOR	RL 0082.2183.00	RESISTA	MK2	
R493	RG 12,1 OHM+-1%TK100 1206 CHIP RESISTOR TRIMMWERT/SELECTED 4,7OHM-12,1OHM	RG 0006.8661.00	PHILIPS_CO	RC02	
R495	RL 0,60W 182 OHM+-1%TK50 RESISTOR	RL 0083.0010.00	RESISTA	MK2	
R496	RL 0,60W 33,2 OHM+-1%TK50 RESISTOR	RL 0082.9359.00	PHILIPS_CO	MRS 25	
R497	RL 0,60W 182 OHM+-1%TK50 RESISTOR	RL 0083.0010.00	RESISTA	MK2	
R498	RG 10,0 OHM+-1%TK100 1206 CHIP -RESISTOR	RG 0006.8649.00	PHILIPS_CO	RC02	
R500	RL 0,60W27,40 OHM+-1%TK50 RESISTOR	RL 0082.9271.00	RESISTA	MK2	
R501	RL 0,60W 1,50KOHM+-1%TK50 RESISTOR	RL 0083.0732.00	PHILIPS_CO	MRS 25	
R502	RL 0,60W 1,50KOHM+-1%TK50 RESISTOR	RL 0083.0732.00	PHILIPS_CO	MRS 25	
R503	RL 0,60W 10,0 OHM+-1%TK50 RESISTOR	RL 0082.8852.00	PHILIPS_CO	MRS 25	
R504	RL 0,60W 562 OHM+-1%TK50 RESISTOR	RL 0083.0461.00	RESISTA	MK2	
R512	RL 0,60W 475 OHM+-1%TK50 RESISTOR	RL 0083.0390.00	PHILIPS_CO	MRS 25	
R513	RL 0,60W 274 OHM+-1%TK50 RESISTOR TRIMMWERT/SELECTED	RL 0083.0178.00	RESISTA	MK2	
R514	RL 0,60W22,10 OHM+-1%TK50 RESISTOR	RL 0082.9188.00	RESISTA	MK2	
R515	RL 0,60W 274 OHM+-1%TK50 RESISTOR TRIMMWERT/SELECTED	RL 0083.0178.00	RESISTA	MK2	
R520	RL 0,60W 12,1KOHM+-1%TK50 RESISTOR	RL 0083.1351.00	PHILIPS_CO	MRS 25	


095.0026-0693

MEZ15	790 3PLU	ÄI	Datum Date	Schaltteilliste für Parts list for	Sachnummer Stock No.	Blatt-Nr. Page
	ROHDE & SCHWARZ	66	03.05.99	EE FRN LOOP	0801.3917.01 SA	15+

Wir uns alle Rechte vor.


Kennz. Comp. No.	Benennung Designation	Sachnummer Stock No.	Hersteller Manufacturer	Bezeichnung Designation	enthalten in contained in
R521	RL 0,60W 2,21KOHM+-1%TK50 RESISTOR	RL 0082.2477.00	RESISTA	MK2	
R522	RL 0,60W 1,50KOHM+-1%TK50 RESISTOR	RL 0083.0732.00	PHILIPS_CO	MRS 25	
R525	RL 0,60W 332 OHM+-1%TK50 RESISTOR	RL 0083.0255.00	RESISTA	MK2	
R530	RL 0,60W 82,5KOHM+-1%TK50 RESISTOR	RL 0082.2302.00	PHILIPS_CO	MRS 25	
R531	RL 0,60W 100KOHM+-1%TK50 RESISTOR	RL 0082.1764.00	RESISTA	MK2	
R532	RL 0,60W2,21MOHM+-1%TK50 METALFILMRESISTOR	RL 0099.8173.00	RESISTA	MK2	
R533	RL 0,60W 121KOHM+-1%TK50 RESISTOR	RL 0083.2070.00	RESISTA	MK2	
R534	RL 0,60W 82,5KOHM+-1%TK50 RESISTOR	RL 0082.2302.00	PHILIPS_CO	MRS 25	
R535	RL 0,60W 100KOHM+-1%TK50 RESISTOR	RL 0082.1764.00	RESISTA	MK2	
R536	RL 0,60W 121KOHM+-1%TK50 RESISTOR	RL 0083.2070.00	RESISTA	MK2	
R537	RL 0,60W 8,25KOHM+-1%TK50 RESISTOR	RL 0083.1239.00	RESISTA	MK2	
R540	RL 0,60W 8,25KOHM+-1%TK50 RESISTOR	RL 0083.1239.00	RESISTA	MK2	
R541	RL 0,60W 3,92KOHM+-1%TK50 RESISTOR	RL 0083.1039.00	PHILIPS_CO	MRS 25	
R542	RS 0,75W10KOHM+-10% CERMET DEPOS.-CARBON POTENTIOMET	RS 0037.7396.00	BI_TECHNOL	89 P	
R543	RL 0,60W 619 OHM+-1%TK50 RESISTOR	RL 0083.0478.00	PHILIPS_CO	MRS 25	
R544	RL 0,60W 1KOHM+-1%TK50 RESISTOR	RL 0082.2160.00	PHILIPS_CO	MRS 25	
R546	RL 0,60W 100KOHM+-1%TK50 RESISTOR	RL 0082.1764.00	RESISTA	MK2	
R547	RL 0,60W 301 KOHM+-1%TK50 RESISTOR	RL 0083.2406.00	RESISTA	MK2	
R548	RL 0,60W 100KOHM+-1%TK50 RESISTOR	RL 0082.1764.00	RESISTA	MK2	
R550	RL 0,60W 100 OHM+-1%TK50 RESISTOR	RL 0082.6543.00	PHILIPS_CO	MRS 25	
R551	RL 0,60W 274 OHM+-1%TK50 RESISTOR	RL 0083.0178.00	RESISTA	MK2	
R560	RL 0,60W 4,75KOHM+-1%TK50 RESISTOR	RL 0083.1097.00	PHILIPS_CO	MRS 25	
R562	RL 0,60W 4,75KOHM+-1%TK50 RESISTOR	RL 0083.1097.00	PHILIPS_CO	MRS 25	
R570	RL 0,60W 100 OHM+-1%TK50 RESISTOR	RL 0082.6543.00	PHILIPS_CO	MRS 25	
R571	RL 0,60W 1,21KOHM+-1%TK50 RESISTOR	RL 0083.0655.00	RESISTA	MK2	
R572	RL 0,60W 1,21KOHM+-1%TK50 RESISTOR	RL 0083.0655.00	RESISTA	MK2	
R575	RL 0,60W 392 OHM+-1%TK50 RESISTOR	RL 0082.2183.00	RESISTA	MK2	
R580	RL 0,60W 4,75KOHM+-1%TK50 RESISTOR	RL 0083.1097.00	PHILIPS_CO	MRS 25	
R581	RL 0,60W 4,75KOHM+-1%TK50 RESISTOR	RL 0083.1097.00	PHILIPS_CO	MRS 25	
R590	RL 0,60W15 OHM+-1%TK50 RESISTOR	RL 0082.9020.00	RESISTA	MK2	
V20	AK BF374 N 25V 100MA TRANSISTOR	0377.3859.00	MOTOROLA	BF374	
V25	AK BF374 N 25V 100MA TRANSISTOR	0377.3859.00	MOTOROLA	BF374	
V40	AM J310 N-D 25V JFET FET	0283.9031.00	SILICONIX	J310	
V41	AM J310 N-D 25V JFET FET	0283.9031.00	SILICONIX	J310	
V50	AM J310 N-D 25V JFET FET	0283.9031.00	SILICONIX	J310	
V51	AM J310 N-D 25V JFET FET	0283.9031.00	SILICONIX	J310	
V60	AM J310 N-D 25V JFET FET	0283.9031.00	SILICONIX	J310	
V65	AM J310 N-D 25V JFET FET	0283.9031.00	SILICONIX	J310	

095.0026-0693

MEZ15	790 3PLU	ÄI	Datum Date	Schaltteilliste für Parts list for	Sachnummer Stock No.	Blatt-Nr. Page
		66	03.05.99	EE FRN LOOP	0801.3917.01 SA	16+

Für diese Unterlage behalten wir uns alle Rechte vor.


Kennz. Comp. No.	Benennung Designation	Sachnummer Stock No.	Hersteller Manufacturer	Bezeichnung Designation	enthalten in contained in
V70	AK BC327-40 P 45V 800MA TRANSISTOR	0303.9518.00	PHILIPS_SE	BC327-40	
V75	AD 1N4151 50V OA2 UDI DIODE	AD 0012.0723.00	VALVO	1N4151 GEGURTET	
V76	AD 1N4151 50V OA2 UDI DIODE	AD 0012.0723.00	VALVO	1N4151 GEGURTET	
V77	AE 5082-2800 SCHOTTKY DIODE	0012.9066.00	HEWLETT_PA	5082-2800	
V81	AD 1N4151 50V OA2 UDI DIODE	AD 0012.0723.00	VALVO	1N4151 GEGURTET	
V85	AE 5082-2800 SCHOTTKY DIODE	0012.9066.00	HEWLETT_PA	5082-2800	
V86	AE 5082-2800 SCHOTTKY DIODE	0012.9066.00	HEWLETT_PA	5082-2800	
V87	AD 1N4151 50V OA2 UDI DIODE	AD 0012.0723.00	VALVO	1N4151 GEGURTET	
V88	AD 1N4151 50V OA2 UDI DIODE	AD 0012.0723.00	VALVO	1N4151 GEGURTET	
V100	AK BF450 P 40V 25MA TRANSISTOR	AK 0342.2240.00	SIEMENS	BF450	
V101	AK BC337-40 N 45V 800MA TRANSISTOR	0303.9524.00	ITT	BC337-40	
V105	AK BC337-40 N 45V 800MA TRANSISTOR	0303.9524.00	ITT	BC337-40	
V122	AK BC337-40 N 45V 800MA TRANSISTOR	0303.9524.00	ITT	BC337-40	
V124	AK BC337-40 N 45V 800MA TRANSISTOR	0303.9524.00	ITT	BC337-40	
V131	AE BZX55/B4V7 0,5W ZDI ZENER DIODE	AE 0080.4014.00	VALVO	BZX79B4V7	
V134	AK BC337-40 N 45V 800MA TRANSISTOR	0303.9524.00	ITT	BC337-40	
V140	AM J310 N-D 25V JFET FET	0283.9031.00	SILICONIX	J310	
V141	AM J310 N-D 25V JFET FET	0283.9031.00	SILICONIX	J310	
V160	AK BF450 P 40V 25MA TRANSISTOR	AK 0342.2240.00	SIEMENS	BF450	
V165	AK BF450 P 40V 25MA TRANSISTOR	AK 0342.2240.00	SIEMENS	BF450	
V171	AE BZX79B10 0,5W ZDI ZENER DIODE	AE 0289.4302.00	VALVO	BZX79B10	
V172	AD 1N4151 50V OA2 UDI DIODE	AD 0012.0723.00	VALVO	1N4151 GEGURTET	
V175	AK BC337-40 N 45V 800MA TRANSISTOR	0303.9524.00	ITT	BC337-40	
V176	AK BC327-40 P 45V 800MA TRANSISTOR	0303.9518.00	PHILIPS_SE	BC327-40	
V208	AD 1N4151 50V OA2 UDI DIODE	AD 0012.0723.00	VALVO	1N4151 GEGURTET	
V209	AD 1N4151 50V OA2 UDI DIODE	AD 0012.0723.00	VALVO	1N4151 GEGURTET	
V250	AE BB809 26/ 6PF CDI TUNING DIODE	0092.9616.00	VALVO	BB809	
V261	AE 5082-2800 SCHOTTKY DIODE	0012.9066.00	HEWLETT_PA	5082-2800	
V262	AE 5082-2800 SCHOTTKY DIODE	0012.9066.00	HEWLETT_PA	5082-2800	
V265	AD 1N4448 75V UDI DIODE	AD 0012.0700.00	PHILIPS_SE	1N4448 "	
V266	AD 1N4448 75V UDI DIODE	AD 0012.0700.00	PHILIPS_SE	1N4448 "	
V275	AM U310 N-D 25V JFET FET	AM 0454.6217.00	SILICONIX	U310	
V290	AK BFR90 N 15V 25MA TRANSISTOR	0236.9139.00	VALVO	BFR 90	
V300	AE 5082-2800 SCHOTTKY DIODE	0012.9066.00	HEWLETT_PA	5082-2800	
V315	AK BFR90 N 15V 25MA TRANSISTOR	0236.9139.00	VALVO	BFR 90	
V325	AK BFR90 N 15V 25MA TRANSISTOR	0236.9139.00	VALVO	BFR 90	
V345	AK BFY90 N 15V 25MA TRANSISTOR	AK 0010.4550.00	VALVO	BFY90	
V348	AK BFY90 N 15V 25MA TRANSISTOR	AK 0010.4550.00	VALVO	BFY90	
V360	AM BF961 20V N-D DG MOSF MOS-FET	0303.9130.00	SIEMENS	BF961	

MEZ15	790 3PLU	ÄI	Datum Date	Schaltteilliste für Parts list for	Sachnummer Stock No.	Blatt-Nr. Page
	66	03.05.99	EE FRN LOOP	0801.3917.01 SA	17+	

095.0026-0693

Kennz. Comp. No.	Benennung Designation	Sachnummer Stock No.	Hersteller Manufacturer	Bezeichnung Designation	enthalten in contained in
V365	AE BB809 26/ 6PF CDI TUNING DIODE	0092.9616.00	VALVO	BB809	
V370	AM BF961 20V N-D DG MOSF MOS-FET	0303.9130.00	SIEMENS	BF961	
V375	AE BB809 26/ 6PF CDI TUNING DIODE	0092.9616.00	VALVO	BB809	
V384	AE BB809 26/ 6PF CDI TUNING DIODE	0092.9616.00	VALVO	BB809	
V390	AK BFR91A N 12V 35MA TRANSISTOR	0644.0730.00	VALVO	BFR 91A	
V400	AE 5082-2800 SCHOTTKY DIODE	0012.9066.00	HEWLETT_PA	5082-2800	
V423	AE 5082-2800 SCHOTTKY DIODE	0012.9066.00	HEWLETT_PA	5082-2800	
V434	AK BFY90 N 15V 25MA TRANSISTOR	AK 0010.4550.00	VALVO	BFY90	
V436	AE BB809 26/ 6PF CDI TUNING DIODE	0092.9616.00	VALVO	BB809	
V437	AE BB809 26/ 6PF CDI TUNING DIODE	0092.9616.00	VALVO	BB809	
V438	AE BB809 26/ 6PF CDI TUNING DIODE	0092.9616.00	VALVO	BB809	
V439	AE BB809 26/ 6PF CDI TUNING DIODE	0092.9616.00	VALVO	BB809	
V450	AK BFY90 N 15V 25MA TRANSISTOR	AK 0010.4550.00	VALVO	BFY90	
V460	AK BFY90 N 15V 25MA TRANSISTOR	AK 0010.4550.00	VALVO	BFY90	
V465	AK BF374 N 25V 100MA TRANSISTOR	0377.3859.00	MOTOROLA	BF374	
V485	AK BFR90 N 15V 25MA TRANSISTOR	0236.9139.00	VALVO	BFR 90	
V490	AK BFR90 N 15V 25MA TRANSISTOR	0236.9139.00	VALVO	BFR 90	
V500	AE BA483 BER.SCH.DI.UHF DIODE	AE 0568.2290.00	VALVO	BA483	
V503	AE BZX55/B4V7 0,5W ZDI ZENER DIODE	AE 0080.4014.00	VALVO	BZX79B4V7	
V537	AE BZX55/B12 0,5W ZDI ZENER DIODE	AE 0218.8940.00	VALVO	BZX79B12	
V538	AE BZX79B10 0,5W ZDI ZENER DIODE	AE 0289.4302.00	VALVO	BZX79B10	
V540	AD 1N4448 75V UDI DIODE	AD 0012.0700.00	PHILIPS_SE	1N4448 "	
V541	AD 1N4448 75V UDI DIODE	AD 0012.0700.00	PHILIPS_SE	1N4448 "	
V544	AD 1N4448 75V UDI DIODE	AD 0012.0700.00	PHILIPS_SE	1N4448 "	
V545	AD 1N4448 75V UDI DIODE	AD 0012.0700.00	PHILIPS_SE	1N4448 "	
V580	AD 1N4448 75V UDI DIODE	AD 0012.0700.00	PHILIPS_SE	1N4448 "	
V581	AK BC337-40 N 45V 800MA TRANSISTOR	0303.9524.00	ITT	BC337-40	
X1	FP STECKERLEISTE 32POL. MULTIPOINT CONNECTOR	FP 0514.4550.00	SIEMENS	V42254-B1200-B641	
X201	FJ EINBAUSTECKER F.GS SMB ANGLE CONNECTOR	FJ 0602.8804.00	ROSENBERGE	59S-206-400-D3	
X202	FJ EINBAUSTECKER F.GS SMB ANGLE CONNECTOR	FJ 0602.8804.00	ROSENBERGE	59S-206-400-D3	
X203	FJ EINBAUSTECKER F.GS SMB ANGLE CONNECTOR	FJ 0602.8804.00	ROSENBERGE	59S-206-400-D3	
X205	FJ EINBAUSTECKER F.GS SMB ANGLE CONNECTOR	FJ 0602.8804.00	ROSENBERGE	59S-206-400-D3	
X208	FJ EINBAUSTECKER F.GS SMB ANGLE CONNECTOR	FJ 0602.8804.00	ROSENBERGE	59S-206-400-D3	
X210	FJ EINBAUSTECKER F.GS SMB ANGLE CONNECTOR	FJ 0602.8804.00	ROSENBERGE	59S-206-400-D3	
X10A	VL WIRE-WRAP PIN L=11,6 WIRE-WRAP PIN	0088.4542.00	DUPONT CON	75403-003	
X10B	VL WIRE-WRAP PIN L=11,6 WIRE-WRAP PIN	0088.4542.00	DUPONT CON	75403-003	
X11A	VL WIRE-WRAP PIN L=11,6 WIRE-WRAP PIN	0088.4542.00	DUPONT CON	75403-003	
X11B	VL WIRE-WRAP PIN L=11,6 WIRE-WRAP PIN	0088.4542.00	DUPONT CON	75403-003	
X11C	VL WIRE-WRAP PIN L=11,6 WIRE-WRAP PIN	0088.4542.00	DUPONT CON	75403-003	


Wir uns alle Rechte vor.

MEZ15	790 3PLU	ÄI	Datum Date	Schaltteilliste für Parts list for	Sachnummer Stock No.	Blatt-Nr. Page
	66	03.05.99	EE FRN LOOP	0801.3917.01 SA	18+	

095.0026-0693

Für diese Unterlage behalten wir uns alle Rechte vor.

Kennz. Comp. No.	Benennung Designation	Sachnummer Stock No.	Hersteller Manufacturer	Bezeichnung Designation	enthalten in contained in
X12A	VL WIRE-WRAP PIN L=11,6 WIRE-WRAP PIN	0088.4542.00	DUPONT CON	75403-003	
X12B	VL WIRE-WRAP PIN L=11,6 WIRE-WRAP PIN	0088.4542.00	DUPONT CON	75403-003	
X12C	VL WIRE-WRAP PIN L=11,6 WIRE-WRAP PIN	0088.4542.00	DUPONT CON	75403-003	
X13A	VL WIRE-WRAP PIN L=11,6 WIRE-WRAP PIN	0088.4542.00	DUPONT CON	75403-003	
X13B	VL WIRE-WRAP PIN L=11,6 WIRE-WRAP PIN	0088.4542.00	DUPONT CON	75403-003	
X13C	VL WIRE-WRAP PIN L=11,6 WIRE-WRAP PIN	0088.4542.00	DUPONT CON	75403-003	
X14A	VL WIRE-WRAP PIN L=11,6 WIRE-WRAP PIN	0088.4542.00	DUPONT CON	75403-003	
X14B	VL WIRE-WRAP PIN L=11,6 WIRE-WRAP PIN	0088.4542.00	DUPONT CON	75403-003	
X15A	VL WIRE-WRAP PIN L=11,6 WIRE-WRAP PIN	0088.4542.00	DUPONT CON	75403-003	
X15B	VL WIRE-WRAP PIN L=11,6 WIRE-WRAP PIN	0088.4542.00	DUPONT CON	75403-003	
X15C	VL WIRE-WRAP PIN L=11,6 WIRE-WRAP PIN	0088.4542.00	DUPONT CON	75403-003	
X2A	VL WIRE-WRAP PIN L=11,6 WIRE-WRAP PIN	0088.4542.00	DUPONT CON	75403-003	
X2B	VL WIRE-WRAP PIN L=11,6 WIRE-WRAP PIN	0088.4542.00	DUPONT CON	75403-003	
X3A	VL WIRE-WRAP PIN L=11,6 WIRE-WRAP PIN	0088.4542.00	DUPONT CON	75403-003	
X3B	VL WIRE-WRAP PIN L=11,6 WIRE-WRAP PIN	0088.4542.00	DUPONT CON	75403-003	
X3C	VL WIRE-WRAP PIN L=11,6 WIRE-WRAP PIN	0088.4542.00	DUPONT CON	75403-003	
X4A	VL WIRE-WRAP PIN L=11,6 WIRE-WRAP PIN	0088.4542.00	DUPONT CON	75403-003	
X4B	VL WIRE-WRAP PIN L=11,6 WIRE-WRAP PIN	0088.4542.00	DUPONT CON	75403-003	
X5A	VL WIRE-WRAP PIN L=11,6 WIRE-WRAP PIN	0088.4542.00	DUPONT CON	75403-003	
X5B	VL WIRE-WRAP PIN L=11,6 WIRE-WRAP PIN	0088.4542.00	DUPONT CON	75403-003	
X6A	VL WIRE-WRAP PIN L=11,6 WIRE-WRAP PIN	0088.4542.00	DUPONT CON	75403-003	
X6B	VL WIRE-WRAP PIN L=11,6 WIRE-WRAP PIN	0088.4542.00	DUPONT CON	75403-003	
X7A	VL WIRE-WRAP PIN L=11,6 WIRE-WRAP PIN	0088.4542.00	DUPONT CON	75403-003	
X7B	VL WIRE-WRAP PIN L=11,6 WIRE-WRAP PIN	0088.4542.00	DUPONT CON	75403-003	
X7C	VL WIRE-WRAP PIN L=11,6 WIRE-WRAP PIN	0088.4542.00	DUPONT CON	75403-003	
X8A	VL WIRE-WRAP PIN L=11,6 WIRE-WRAP PIN	0088.4542.00	DUPONT CON	75403-003	
X8B	VL WIRE-WRAP PIN L=11,6 WIRE-WRAP PIN	0088.4542.00	DUPONT CON	75403-003	
X8C	VL WIRE-WRAP PIN L=11,6 WIRE-WRAP PIN	0088.4542.00	DUPONT CON	75403-003	
X8D	VL WIRE-WRAP PIN L=11,6 WIRE-WRAP PIN	0088.4542.00	DUPONT CON	75403-003	
X9A	VL WIRE-WRAP PIN L=11,6 WIRE-WRAP PIN	0088.4542.00	DUPONT CON	75403-003	
X9B	VL WIRE-WRAP PIN L=11,6 WIRE-WRAP PIN	0088.4542.00	DUPONT CON	75403-003	
Z1 .9	LD 10GHZ 50DB100V10A4RDX9 LEAD-THROUGH FILTER	LD 0451.4636.00	SPECTRUM	51-713-036	

MEZ15	790 3PLU	Ä1	Datum Date	Schaltteilliste für Parts list for	Sachnummer Stock No.	Blatt-Nr. Page
		66	03.05.99	EE FRN LOOP	0801.3917.01 SA	19-

095.0026-0693



ROHDE & SCHWARZ

SERVICEUNTERLAGEN

Baugruppe "HF-Oszillator"

801.5110.02

Printed in West Germany

ENGLISH SERVICE MANUAL FOLLOWS FIRST COLOURED DIVIDER

Inhaltsübersicht

	Seite	
5	Serviceanleitung Baugruppe "HF-Oszillator" 5.1	
5.1	Funktionsbeschreibung	5.1
5.1.1	Hauptoszillator-Loop	5.1
5.1.2	FM-Loop	5.2
5.1.3	Ansteuerung und Diagnose	5.3
5.2	Prüfen und Abgleichen	5.5
5.2.1	Frequenzabgleich der HF-Oszillatoren	5.5
5.2.2	Pegelabgleich der HF-Oszillatoren	5.5
5.2.3	Abgleich des Phasendetektoroffsets	5.5
5.2.4	Prüfen der Synchronisation	5.6
5.2.5	Abgleich des 50-MHz-FM-Oszillators	5.6
5.2.6	Prüfen der Frequenzablage bei FM-DC	5.7
5.3	Fehlersuche	5.8
5.4	Schnittstellen	5.10
	Schaltteillisten	
	Stromläufe	
	Bestückungspläne	

5.1 Funktionsbeschreibung

(Hierzu Stromlauf 801.5110 S und Bild 5-1)

Die Baugruppe "HF-Oszillator" enthält zwei Phasenregelschleifen, die mit Hauptoszillator-Loop und FM-Loop bezeichnet sind.

In der Hauptoszillator-Loop wird die Eingangsfrequenz (208...219 MHz) durch 8 geteilt und dann mit dem Faktor M (19...38) vervielfacht. Am Ausgang der Hauptoszillator-Loop steht somit eine Frequenz von 500...1000 MHz zur Verfügung. Die Schrittweite der Eingangsfrequenz beträgt 0,1 Hz. Durch die Umsetzung ergibt sich am Ausgang eine Schrittweite von <0,5 Hz.

In der FM-Loop wird die Frequenzmodulation in einem 50-MHz-Oszillator erzeugt. Je nach Betriebsart wird dieser Oszillator in einer Phasenregelschleife (FM-AC) oder freilaufend (FM-DC) betrieben. Um einen geringen Frequenzversatz beim Umschalten auf FM-DC zu erreichen, wird die Abstimmspannung vor dem Umschalten im synchronisierten Betrieb gemessen und eine entsprechende Spannung mit einem D/A-Wandler erzeugt und zu den Abstimmioden geleitet.

5.1.1 Hauptoszillator-Loop

Das Eingangssignal (208...219 MHz) vom Stecker X310 wird im Verstärker V6 auf ECL-Pegel verstärkt und mit den Teilern D1 und D10 durch 8 geteilt. Dieses geteilte Signal (26...27,4 MHz) wird mit der Step-Recovery-Diode V20 in einen schmalen Puls umgewandelt, der als Schaltsignal für den Samplingdetektor N30 dient. Mit dem Samplingdetektor wird das Oszillatorsignal abgetastet. Am Ausgang 3 des Detektors steht eine Spannung zur Verfügung, welche die Phasendifferenz zwischen dem Abtastpuls und dem Oszillatorsignal widerspiegelt. Über den Integrator N60 wird damit eine Regelspannung erzeugt, die den Oszillator auf ein Vielfaches der Abtastfrequenz synchronisiert.

Der Ausgangsfrequenzbereich der Hauptoszillator-Loop beträgt 500...1000 MHz. Dieser Bereich ist auf zwei Oszillatoren aufgeteilt.

	Bereich	Transistor
Oszillator 1	500....754 MHz	V95
Oszillator 2	754...1000 MHz	V115

Die Oszillatoren sind vom Negativ-Impedanztyp. Der Schwingtransistor entdämpft mit seiner negativen Impedanz an der Basis einen Serienschwingkreis. Zur Abstimmung werden zwei in Gegentakt geschaltete Kapazitätsdioden verwendet. Die Ausgangsleistung der Oszillatoren wird mit dem einstellbaren Konstantstrom durch den Schwingtransistor eingestellt.

Eine Schaltstufe mit zwei Transistoren, die mit TTL-Pegel angesteuert wird, schaltet die Betriebsspannung von -15 V für den Oszillator ein und gleichzeitig die Schaltodiode (V98 bzw. V118) zum Auskoppeln der HF in Durchlaßrichtung.

Der Entkoppelerverstärker (V130) erhöht die Ausgangsleistung der Oszillatoren von 0 dBm auf 10 dBm. Nach dem Auskoppelerverstärker wird das Signal für den Rückwärtszweig der Phasenregelschleife und für den Ausgang X308 aufgesplittet. Über die Entkoppelerverstärker N70 und N35 wird das Oszillatorsignal zurück auf den Samplingdetektor geführt.

Da der Samplingdetektor kein frequenzsensitives Verhalten hat, ist dieser Phasenregelschleife eine zweite Regelschleife zum Fangen parallel geschaltet. Diese Fangschaltung wird nur während des Fangvorgangs eingeschaltet und nach der Synchronisation der Phasenregelschleife wieder ausgeschaltet. Vom Entkoppelerverstärker N420 kommend, wird das Oszillatorsignal mit den Teilern D430, D435 und D440 durch 32 geteilt und zum programmierbaren M-Teiler geleitet. Nach dem M-Teiler wird das Signal im digitalen Phasendetektor D480 mit dem ebenfalls durch 32 geteilten Schaltsignal verglichen. Bei einer Frequenzdifferenz wird, gesteuert von dem Phasendetektor D480 und den Schaltern in D540, solange ein Strom in den Integrator N60 der Phasenregelschleife eingespeist bis der Oszillator auf das richtige Vielfache synchronisiert hat. Ist die Phasenregelschleife eingerastet, erkennt dies der Out-of-Lock-Detektor (D565, D570) und die Fangschaltung wird bis zum nächsten Frequenzwechsel abgeschaltet.

5.1.2 FM-Loop

Der 50-MHz-Oszillator enthält im Schwingkreis vier Kapazitätsdioden (V260, V261, V262 und V275). Mit den drei Kapazitätsdioden V260, V261 und V262 erfolgt die Frequenzmodulation. Auf die Kapazitätsdiode V275 wird die Abstimmspannung der Phasenregelschleife geleitet und damit die Oszillatordfrequenz auf 50 MHz gehalten. Über die Trennverstärker in D310 wird das Oszillatorsignal auf den Ausgang X301 und auf den Teiler (D320, D325 und D338) im Rückwärtszweig der Phasenregelschleife gegeben. Der Phasendetektor D340 vergleicht das geteilte Oszillatorsignal mit der Referenzfrequenz und erzeugt mit Hilfe des Integrators N350 die Abstimmspannung.

In der Betriebsart FM DC wird die Phasenregelschleife mit dem Schalter N275 aufgetrennt und die Abstimmspannung mit dem D/A-Wandler D265 erzeugt. Die Abstimmspannung wird vor dem Umschalten auf FM DC mittels der Diagnoseeinrichtung gemessen und der Wert der dieser Abstimmspannung entspricht in den D/A-Wandler geladen. Damit wird der Frequenzversatz bei FM DC möglichst gering gehalten.

Der Hubteiler besteht aus den D/A-Wandlern D211 und D231 und dem Schalter N260. Mit dem D/A-Wandler D202 erfolgt die Kompensation des M-Faktors. Zur Erzeugung der Phasenmodulation wird mit dem Relais K240 ein Differenzierglied (C242, R242...R244) in den Signalweg eingeschaltet.

5.1.3 Ansteuerung und Diagnose

Die Ansteuerung der Baugruppe erfolgt über eine serielle Schnittstelle. Die Daten werden in den 6 Schieberegisterbausteinen (D205, D112, D222, D232, D240, D400) gespeichert.

Für eine Diagnose können acht verschiedene Meßpunkte auf der Baugruppe mit dem Multiplexer (D402) abgefragt werden. Zusätzlich wird die Abstimmspannung des 50-MHz-Oszillators mit dem Fensterdiskriminator N300 ständig überwacht. Der Ausgang des Fensterdiskriminators und der Ausgang des Out-of-Lock-Detektors in der Hauptoszillator-Loop führen auf die Loop-OK-Leitung. Über diese Leitung wird dem Mikroprozessor ein Ausfall der Baugruppe gemeldet.

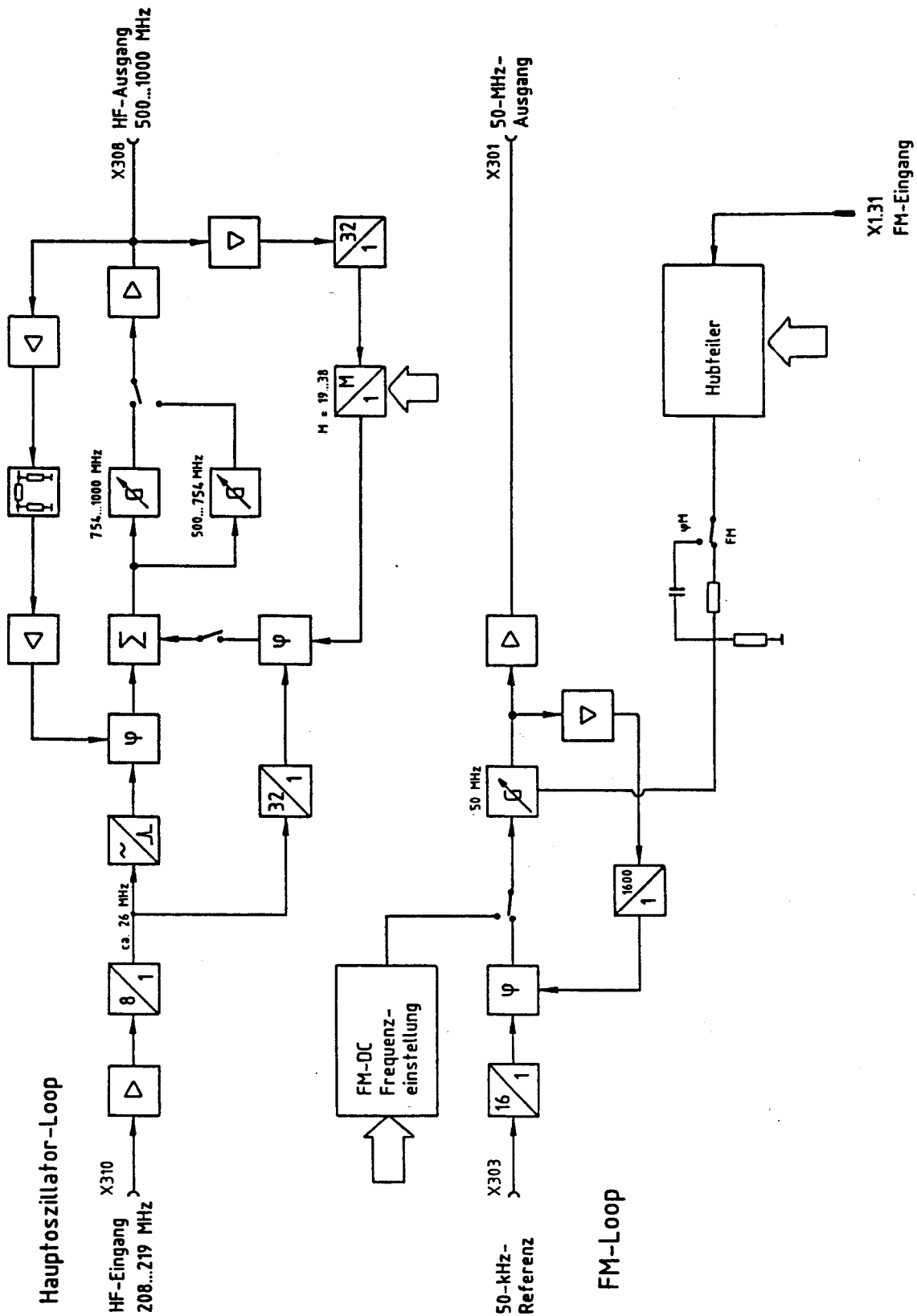


Bild 5-1 Blockschaltbild HF-Oszillator

5.2 Prüfen und Abgleichen

5.2.1 Frequenzabgleich der HF-Oszillatoren

- Gleichspannung von 2 V \pm 0,1 V an X60.B einspeisen.
- An HF-Anschluß X308 einen Frequenzzähler anschließen.
- Abgleich der Frequenz mit den Trimmern C97 und C117 nach Tabelle 5-1.

Tabelle 5-1

Einstellung am Gerät	Frequenz an X308	Abgleichelement
600 MHz	500 MHz \pm 5 MHz	C97
800 MHz	750 MHz \pm 5 MHz	C117

5.2.2 Pegelabgleich der HF-Oszillatoren

- Gleichspannung von 12 V \pm 0,5 V an X60.B einspeisen.
- An HF-Anschluß X308 einen Leistungsmesser anschließen.
- Abgleich des Pegels mit den Trimmern R92 und R112 nach Tabelle 5-2.

Tabelle 5-2

Einstellung am Gerät	Pegel an X308	Abgleichelement
600 MHz	0 dBm \pm 3 dB	R92
800 MHz	0 dBm \pm 3 dB	R112

5.2.3 Abgleich des Phasendetektoroffsets

- Gleichspannung von 12 V \pm 0,5 V an X60.B einspeisen.
- DC-Voltmeter an P7 A und B anschließen.
- Brücke X12 abziehen.
- Mit Trimmer R53 die Spannung an P7 auf 0 V \pm 10 mV einstellen.
- Brücke X12 und X60 wieder aufstecken.

5.2.4 Prüfen der Synchronisation

- An X308 einen Frequenzzähler anschließen und die Frequenz nach Tabelle 5-3 prüfen.

Tabelle 5-3

Einstellung am Gerät	Frequenz an X308
519 MHz	519 MHz ±5 kHz
520 MHz	520 MHz ±5 kHz
546 MHz	546 MHz ±5 kHz
624 MHz	624 MHz ±5 kHz
702 MHz	702 MHz ±5 kHz
728 MHz	728 MHz ±5 kHz
754 MHz	754 MHz ±5 kHz
832 MHz	832 MHz ±5 kHz
910 MHz	910 MHz ±5 kHz
1000 MHz	1000 MHz ±5 kHz

5.2.5 Abgleich des 50-MHz-FM-Oszillators

a) Klirrfaktorabgleich

- Einstellung am Gerät: RF = 510 MHz,
FM INT = 800 kHz,
AF = 1 kHz
- Modulationsanalysator mit Klirrfaktormesser an X301 anschließen.
- Mit dem Trimmer R262 den Klirrfaktor auf Minimum einstellen (Klirrfaktor muß <0,5 % sein).

b) Regelspannungsabgleich

- Einstellung am Gerät: FM INT = 1 kHz, AF = 1 kHz
- DC-Voltmeter an Prüfpunkt P6 anschließen.
- Mit dem Trimmer C274 die Spannung an P6 auf 7,5 V ±0,5 V einstellen.

c) Hubabgleich

- Einstellung am Gerät: RF = 510 MHz,
FM INT = 800 kHz,
AF = 1 kHz
- Modulationsanalysator an X301 anschließen.
- Mit dem Trimmer R202 den Hub auf 336 kHz ±3 kHz einstellen.

5.2.6 Prüfen der Frequenzablage bei FM-DC

- + Einstellung am Gerät: FM EXT AC = 1 kHz
- + Frequenzzähler an X301 anschließen.
- + Nach dem Umschalten auf FM EXT DC darf die Frequenzablage nicht größer als 1000 Hz sein.

5.3 Fehlersuche

Die Fehlersuche läßt sich mit Hilfe der angegebenen Gleichspannungsmeßwerte und Signalpegel durchführen.

Gleichspannungsmeßwerte

Bezeichnung	Spannung DC
Kollektor V6	7,4 V \pm 1 V
Kollektor V18	4...6 V
Emitter V90, V110	-10...-11,5 V
Kollektor V130	6,5 V \pm 1 V
Emitter V551	-0,9 V \pm 0,2 V
Kollektor V555	-2,45 V \pm 0,5 V
P13	11,8 V \pm 0,4 V
D310/Pin 11	3,7 V \pm 0,5 V
N350 /Pin 3	2,55 V \pm 0,1 V

Signalpegel

Bezeichnung	Frequenz	Pegel	Bemerkung
D1 /Pin 7	52...105 MHz	ECL	} Brücke X15 abziehen
D10/Pin 7	ca. 26 MHz	2,5 V (U_{SS})	
X13	15,6...31,25 MHz	TTL	
P14, P15	ca. 0,8 MHz	TTL	
X11	50 MHz	TTL	
P7, P8	3,125 kHz	TTL	

HF-Pegel

Die HF-Pegel werden mit einem 500- Ω -Tastkopf gemessen.

Bezeichnung	Frequenz	Pegel
P9	500...1000 MHz	+9...+17 dBm
P10	500...1000 MHz	-16...-9 dBm
P12	500...1000 MHz	-3...+5 dBm

Steuersignale für den M-Teiler

Frequenzein- stellung/MHz	Steuersignale an D205							
	11	12	13	14	7	6	5	4
510	1	0	0	1	0	0	1	1
530	1	0	0	1	0	1	0	0
550	1	0	0	1	0	1	0	1
580	1	0	0	1	0	1	1	0
640	1	0	0	1	1	0	0	0
850	0	1	1	0	0	0	0	0

Steuersignale für den FM-Hubteiler

→ Am Gerät 1000 MHz einstellen.

FM-Hubein- stellung/ kHz	Steuersignale an den Bausteinen																		
	D232			D222								D212							
	6	5	4	11	12	13	14	7	6	5	4	11	12	13	14	7	6	5	4
0,01	0	0	0	0	0	1	0	1	0	0	0	0	0	0	0	0	0	0	1
0,02	0	0	0	0	0	1	0	1	0	0	0	0	0	0	0	0	0	1	0
0,04	0	0	0	0	0	1	0	1	0	0	0	0	0	0	0	1	0	0	0
0,08	0	0	0	0	0	1	0	1	0	0	0	0	0	0	1	0	0	0	0
0,16	0	0	0	0	0	1	0	1	0	0	0	0	0	1	0	0	0	0	0
0,32	0	0	0	0	0	1	0	1	0	0	0	0	0	1	0	0	0	0	0
0,64	0	0	0	0	0	1	0	1	0	0	0	0	0	1	0	0	0	0	0
1,28	0	0	0	0	0	1	0	1	0	0	0	1	0	0	0	0	0	0	0
2,56	0	0	0	0	0	1	0	1	0	0	1	0	0	0	0	0	0	0	0
5,12	0	0	0	0	0	1	0	1	0	1	0	0	0	0	0	0	0	0	0
51,2	0	0	1	1	0	0	1	0	0	1	0	0	0	0	0	0	0	0	0
512	1	1	1	0	0	1	0	0	0	1	0	0	0	0	0	0	0	0	0

5.4 Schnittstellen

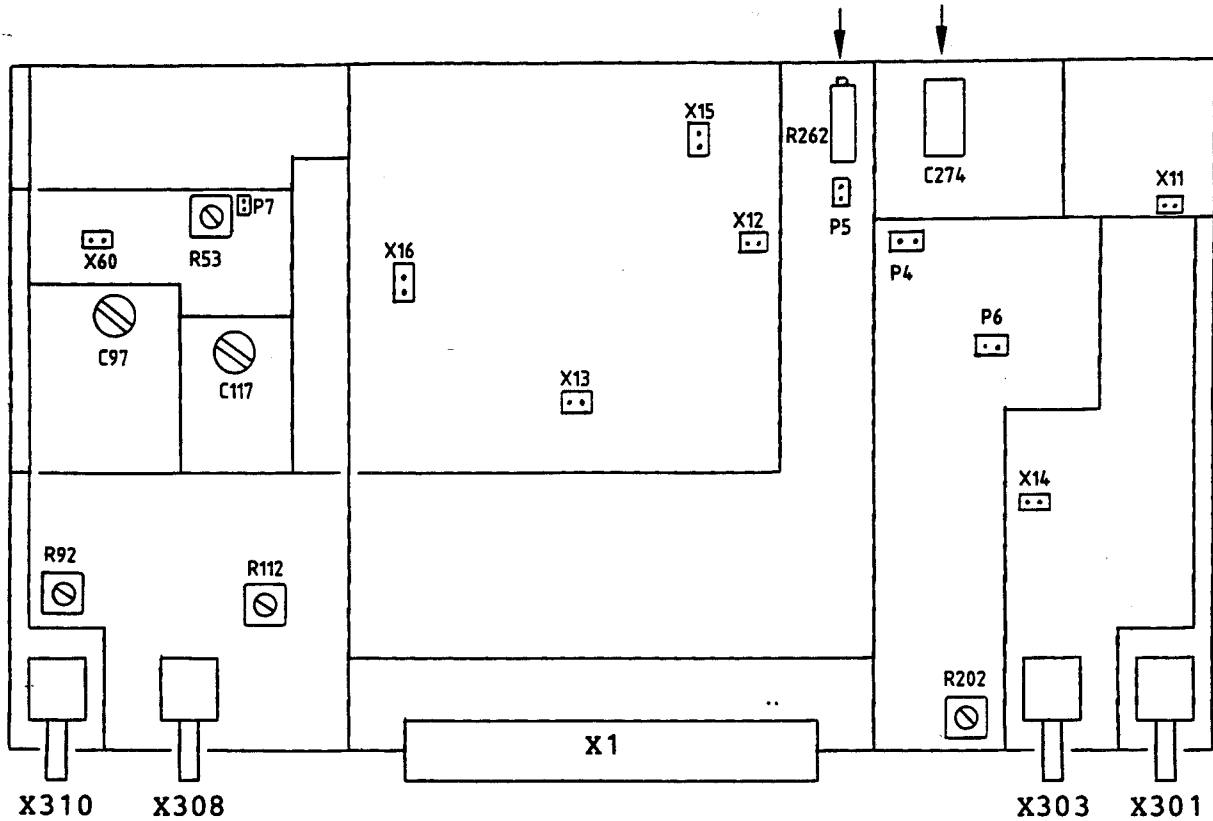


Bild 5-2 Lage der Prüf- und Trimpunkte

Anschluß	Bezeichnung	Frequenz	Pegel
X301	50-MHz-Ausgang	50 MHz	0 dBm \pm 3 dB
X303	50-kHz-Referenz	50 kHz	TTL
X308	HF-Ausgang	500...1000 MHz	0 dBm \pm 3 dB
X310	HF-Eingang	208...219 MHz	-3 dBm \pm 3 dB
X1.3	Loop OK	DC	0...+5 V
X1.23	Test	DC	0...+5 V
X1.31	FM-Eingang	DC...100 kHz	1 V _{eff}

Serielle Schnittstelle

Anschluß	Bezeichnung
X1.5	HF-Strobe 3
X1.6	HF-Strobe 2
X1.8	Data
X1.10	Clock



ROHDE & SCHWARZ

SERVICE DOCUMENTS

RF Oscillator Module

801.5110.02

Contents

	Page
5	<u>Service Manual for RF Oscillator Module</u> 5.1
5.1	Function Description 5.1
5.1.1	Main Oscillator Loop 5.1
5.1.2	FM Loop 5.2
5.1.3	Control and Diagnosis 5.3
5.2	Checking and Adjustments 5.5
5.2.1	Frequency Adjustments of the RF Oscillators 5.5
5.2.2	Level Adjustment of the RF Oscillators 5.5
5.2.3	Adjustment of Phase Detector Offset 5.5
5.2.4	Checking the Synchronization 5.6
5.2.5	Adjustment of the 50-MHz FM Oscillator 5.6
5.2.6	Checking the Frequency Offset with FM DC 5.7
5.3	Troubleshooting 5.8
5.4	Interfaces 5.10

Component lists
Circuit diagrams
Component layout diagrams

5.1 Function Description

(See circuit diagram 801.5110 S and Fig. 5-1)

The RF oscillator module contains two phase locked loops (PLL), i.e. main oscillator loop and FM loop.

The input frequency (208 to 219 MHz) is divided by 8 in the main oscillator loop and then multiplied by the factor M (19 to 38). A frequency between 500 and 1000 MHz is then available at the output of the main oscillator loop. The step size of the input frequency is 0.1 Hz. The conversion results in a step size of <0.5 Hz at the output.

The frequency modulation is generated in the FM loop in a 50-MHz oscillator. Depending on the mode, this oscillator is driven in a PLL (FM AC) or open loop (FM DC). In order to achieve a low frequency offset when switching to FM DC, the tuning voltage is measured in synchronized mode prior to switchover and a corresponding voltage is generated using a D/A converter and applied to the tuning diodes.

5.1.1 Main Oscillator Loop

The input signal (208 to 219 MHz) from connector X310 is amplified to ECL level in amplifier V6 and divided by 8 by the dividers D1 and D10. This divided signal (26 to 27.4 MHz) is converted by the step recovery diode V20 into a narrow pulse which is used as the switching signal for the sampling detector N30. The oscillator signal is sampled using the sampling detector. A voltage is available at output 3 of the detector which is a measure of the phase difference between the sampling pulse and the oscillator signal. A control voltage is then generated via integrator N60 which synchronizes the oscillator at a multiple of the sampling frequency.

The output frequency range of the main oscillator loop is 500 to 1000 MHz. This range is divided up between oscillators.

	Range	Transistor
Oscillator 1	500 to 754 MHz	V95
Oscillator 2	754 to 1000 MHz	V115

The oscillators are of the negative impedance type. The oscillating transistor with its negative impedance at the base reduces the damping of a series resonant circuit. Two tuning diodes connected in a push-pull circuit are used for tuning. The output power of the oscillators is varied with the oscillating transistor using the adjustable constant current.

A switching stage with two transistors driven at TTL level switches the -15 V operating voltage on for the oscillator and at the same time the switching diode (V98 or V118) to couple out the RF in the forward direction.

The decoupling amplifier (V130) increases the output power of the oscillators from 0 dBm to 10 dBm. Following the decoupling amplifier, the signal is split for the feedback of the PLL and for output X308. The oscillator signal is returned to the sampling detector via the decoupling amplifiers N70 and N35.

Since the response of the sampling detector is not frequency dependent, a second control loop for lock-in is connected in parallel to the PLL. The second loop is only switched on during the lock-in and switched off again following synchronization of the PLL. From the decoupling amplifier N420, the oscillator signal is divided by 32 using the dividers D430, D435 and D440 and applied to the programable M divider. Following the M divider the signal is compared in the digital phase detector D480 with the switching signal which is also divided by 32. If there is a difference between the frequencies, a current is fed to integrator N60 of the PLL, controlled by the phase detector D480 and the switches in D540, until the oscillator has synchronized at the correct multiple of the sampling frequency. The out-of-lock detector (D565, D570) detects if the PLL has locked in and the second loop is switched off until the next change in frequency.

5.1.2 FM Loop

The 50-MHz oscillator contains four tuning diodes (V260, V261, V262 and V275) in the resonant circuit. Frequency modulation is carried out using the three tuning diodes V260, V261 and V262. The tuning voltage of the PLL is applied to the tuning diode V275 and the oscillator frequency is thus held at 50 MHz. The oscillator signal is applied to output X301 via the buffer amplifier in D310 and to the divider (D320, D325 and D338) in the feedback of the PLL. The phase detector D340 compares the divided oscillator signal with the reference frequency and generates the tuning voltage using integrator N350.

The PLL is open in FM DC mode by the switch N275 and the tuning voltage is generated by the D/A converter D265. The tuning voltage is measured by the diagnostic circuit prior to switching to FM DC and the value corresponding to this tuning voltage is loaded into the D/A converter. The frequency offset with FM DC is then kept as small as possible.

The D/A converters D211 and D231 and the switch N260 make up the deviation divider. The M factor is compensated by the D/A converter D202. A differentiator (C242, R242 to R244) is switched into the signal path using relay K240 to generate the phase modulation.

5.1.3 Control and Diagnosis

The module is controlled via a serial interface. The data are stored in six shift register components (D205, D112, D222, D232, D240, D400).

Eight different test points on the module can be checked by the multiplexer (D402) for diagnostic purposes. In addition, the tuning voltage of the 50-MHz oscillator is constantly monitored by the window discriminator. The output of the window discriminator and the output of the out-of-lock detector in the main oscillator loop lead to the loop OK line. This line is used to signal module failure to the microprocessor.

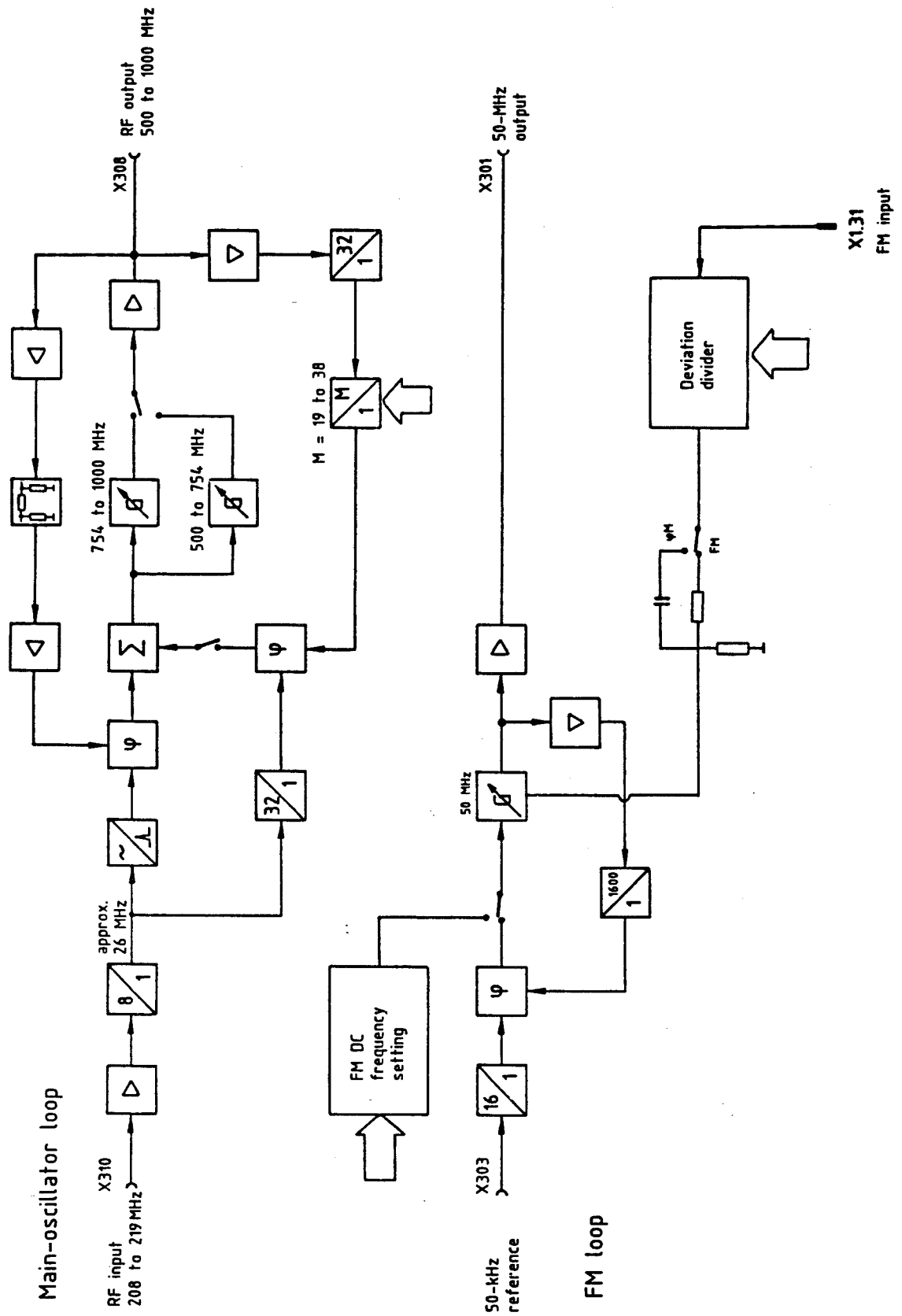


Fig. 5-1 Block diagram of RF oscillator

5.2 Checking and Adjustments

5.2.1 Frequency Adjustments of the RF Oscillators

- + Apply DC voltage of 2 V \pm 0.1 V to X60.B.
- + Connect a frequency meter to RF connector X308.
- + Adjust the frequency according to Table 5-1 using trimmers C97 and C117.

Table 5-1

Instrument setting	Frequency at X308	Adjustment
600 MHz	500 MHz \pm 5 MHz	C97
800 MHz	750 MHz \pm 5 MHz	C117

5.2.2 Level Adjustment of the RF Oscillators

- + Apply DC voltage of 12 V \pm 0.5 V to X60.B.
- + Connect a power meter to RF connector X308.
- + Adjust the level according to Table 5-2 using trimmers R92 and R112.

Table 5-2

Instrument setting	Level at X308	Adjustment
600 MHz	0 dBm \pm 3 dB	R92
800 MHz	0 dBm \pm 3 dB	R112

5.2.3 Adjustment of Phase Detector Offset

- + Apply DC voltage of 12 V \pm 0.5 V to X60.B.
- + Connect DC voltmeter to P7 A and B.
- + Remove jumper X12.
- + Adjust the voltage at P7 to 0 V \pm 10 mV using trimmer R53.
- + Insert jumpers X12 and X60 again.

5.2.4 Checking the Synchronization

- Connect a frequency meter to X308 and test the frequency according to Table 5-3.

Table 5-3

Instrument setting	Frequency at X308
519 MHz	519 MHz ±5 kHz
520 MHz	520 MHz ±5 kHz
546 MHz	546 MHz ±5 kHz
624 MHz	624 MHz ±5 kHz
702 MHz	702 MHz ±5 kHz
728 MHz	728 MHz ±5 kHz
754 MHz	754 MHz ±5 kHz
832 MHz	832 MHz ±5 kHz
910 MHz	910 MHz ±5 kHz
1000 MHz	1000 MHz ±5 kHz

5.2.5 Adjustment of the 50-MHz FM Oscillator

a) Distortion adjustment

- Instrument setting: RF = 510 MHz,
FM INT = 800 kHz,
AF = 1 kHz
- Connect modulation analyzer with distortion meter to X301.
- Adjust the distortion to a minimum using trimmer R262 (distortion must be <0.5%).

b) Control voltage adjustment

- Instrument setting: FM INT = 1 kHz, AF = 1 kHz
- Connect DC voltmeter to test point P6.
- Adjust the voltage at P6 to 7.5 V ±0.5 V using trimmer C274.

c) Deviation adjustment

- Instrument setting: RF = 510 MHz,
FM INT = 800 kHz,
AF = 1 kHz
- Connect modulation analyzer to X301.
- Adjust the deviation to 336 kHz ±3 kHz using trimmer R202.

5.2.6 Checking the Frequency Offset with FM DC

- + Instrument setting: FM EXT AC = 1 kHz
- + Connect frequency meter to X301.
- + The frequency offset must not be larger than 1000 Hz after switching to FM EXT DC.

5.3 Troubleshooting

Troubleshooting can be carried out using the listed DC test voltages and the signal levels.

DC test voltages

Designation	DC voltage
Collector V6	7.4 V \pm 1 V
Collector V18	4 to 6 V
Emitter V90, V110	-10 to -11.5 V
Collector V130	6.5 V \pm 1 V
Emitter V551	-0.9 V \pm 0.2 V
Collector V555	-2.45 V \pm 0.5 V
P13	11.8 V \pm 0.4 V
D310/pin 11	3.7 V \pm 0.5 V
N350 /pin 3	2.55 V \pm 0.1 V

Signal levels

Designation	Frequency	Level	Remarks
D1 /pin 7	52 to 105 MHz	ECL	} Remove jumper X15
D10/pin 7	approx. 26 MHz	2.5 V (V_{pp})	
X13	15.6 to 31.25 MHz	TTL	
P14, P15	approx. 0.8 MHz	TTL	
X11	50 MHz	TTL	
P7, P8	3.125 kHz	TTL	

RF levels

The RF level are measured using a 500- Ω probe.

Designation	Frequency	Level
P9	500 to 1000 MHz	+9 to +17 dBm
P10	500 to 1000 MHz	-16 to -9 dBm
P12	500 to 1000 MHz	-3 to +5 dBm

Control signals for the M divider

Frequency setting/MHz	Control signals at D205							
	11	12	13	14	7	6	5	4
510	1	0	0	1	0	0	1	1
530	1	0	0	1	0	1	0	0
550	1	0	0	1	0	1	0	1
580	1	0	0	1	0	1	1	0
640	1	0	0	1	1	0	0	0
850	0	1	1	0	0	0	0	0

Control signals for the FM deviation divider

→ Set 1000 MHz on the instrument.

FM deviation setting/kHz	Control signals on the components																		
	D232			D222								D212							
	6	5	4	11	12	13	14	7	6	5	4	11	12	13	14	7	6	5	4
0.01	0	0	0	0	0	1	0	1	0	0	0	0	0	0	0	0	0	0	1
0.02	0	0	0	0	0	1	0	1	0	0	0	0	0	0	0	0	0	1	0
0.04	0	0	0	0	0	1	0	1	0	0	0	0	0	0	0	1	0	0	0
0.08	0	0	0	0	0	1	0	1	0	0	0	0	0	0	1	0	0	0	0
0.16	0	0	0	0	0	1	0	1	0	0	0	0	0	1	0	0	0	0	0
0.32	0	0	0	0	0	1	0	1	0	0	0	0	0	1	0	0	0	0	0
0.64	0	0	0	0	0	1	0	1	0	0	0	0	1	0	0	0	0	0	0
1.28	0	0	0	0	0	1	0	1	0	0	0	1	0	0	0	0	0	0	0
2.56	0	0	0	0	0	1	0	1	0	0	1	0	0	0	0	0	0	0	0
5.12	0	0	0	0	0	1	0	1	0	1	0	0	0	0	0	0	0	0	0
51.2	0	0	1	1	0	0	1	0	0	1	0	0	0	0	0	0	0	0	0
512	1	1	1	0	0	1	0	0	0	1	0	0	0	0	0	0	0	0	0

5.4 Interfaces

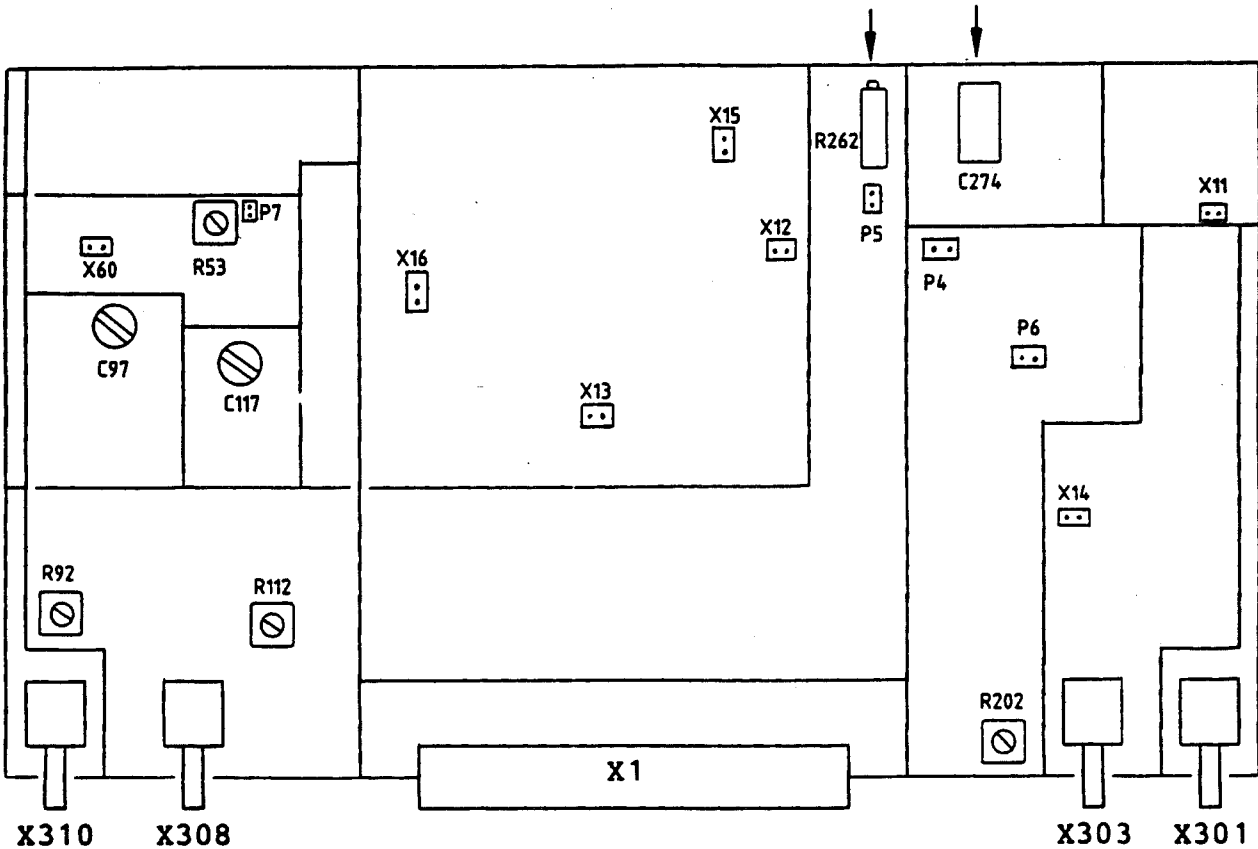


Fig. 5-2 Locations of the test points and trimmers

Pin	Designation	Frequency	Level
X301	50-MHz output	50 MHz	0 dBm \pm 3 dB
X303	50-kHz reference	50 kHz	TTL
X308	RF output	500 to 1000 MHz	0 dBm \pm 3 dB
X310	RF input	208 to 219 MHz	-3 dBm \pm 3 dB
X1.3	Loop OK	DC	0 to +5 V
X1.23	Test	DC	0 to +5 V
X1.31	FM input	DC to 100 kHz	1 V _{rms}

Serial interface

Pin	Designation
X1.5	RF strobe 3
X1.6	RF strobe 2
X1.8	Data
X1.10	Clock



ROHDE & SCHWARZ

Schaltteillisten

Stromläufe

Bestückungspläne

Part lists

Circuit diagrams

Components plans

Listes des pièces détachées

Schémas de Circuit

Plans des composants

Für diese Unterlage behalten
wir uns alle Rechte vor.

Kennz. Comp. No.	Benennung Designation	Sachnummer Stock No.	Hersteller Manufacturer	Bezeichnung Designation	enthalten in contained in
C1	CC 10NF-20+50%7X8R4000 CAPACITOR	CC 0087.7525.00	VALVO	2222 640 51103	
C2	CC 10NF-20+50%7X8R4000 CAPACITOR	CC 0087.7525.00	VALVO	2222 640 51103	
C3	CE 4,7UF+-20%63V RD9XH13 ELECTROLYTIC CAPACITOR NUR VAR/ONLY MOD: 02	0008.7491.00	PHILIPS_CO	2222 036 90381	
C3	CE 47UF+-20%6,3V SAL ELECTR. CAPACITOR NUR VAR/ONLY MOD: 04	CE 0007.3957.00	VALVO	2222 128 33479	
C4	CC 1NF+-10%50VX7R 1206 CERAMIC CHIP CAPACITOR	CC 0099.8438.00	MURATA	GRM42-6 X7R 102 K50	
C5	CC 1NF+-10%50VX7R 1206 CERAMIC CHIP CAPACITOR	CC 0099.8438.00	MURATA	GRM42-6 X7R 102 K50	
C6	CC 680PF+-10%50VX7R 1206 CERAMIC CHIP CAPACITOR	CC 0099.8421.00	MURATA	GRM42-6 X7R681K50PT	
C7	CC 10NF-20+50%7X8R4000 CAPACITOR	CC 0087.7525.00	VALVO	2222 640 51103	
C8	CC 1NF+-10%50VX7R 1206 CERAMIC CHIP CAPACITOR	CC 0099.8438.00	MURATA	GRM42-6 X7R 102 K50	
C9	CC 4,7PF+-0,25 50VNPO1206 CERAMIC CHIP CAPACITOR	CC 0007.8213.00	MURATA	GRM42-6COG 4R7C 50PT	
C10	CE 47UF+-20%6,3V SAL ELECTR. CAPACITOR NUR VAR/ONLY MOD: 04	CE 0007.3957.00	VALVO	2222 128 33479	
C10	CC 10NF-20+50%7X8R4000 CAPACITOR NUR VAR/ONLY MOD: 02	CC 0087.7525.00	VALVO	2222 640 51103	
C11	CC 10NF-20+50%7X8R4000 CAPACITOR	CC 0087.7525.00	VALVO	2222 640 51103	
C12	CC 1NF+-10%63V K2000 CERAMIC CAPACITOR	CC 0022.0784.00	PHILIPS_CO	2222 630	
C13	CC 10NF-20+50%7X8R4000 CAPACITOR	CC 0087.7525.00	VALVO	2222 640 51103	
C15	CC 10NF-20+50%7X8R4000 CAPACITOR	CC 0087.7525.00	VALVO	2222 640 51103	
C17	CK 220NF+-5%63VRD3, 5H9MKT CAPACITOR	CK 0099.2952.00	SIEMENS	B 32 529-A224-J	
C18	CC 680PF+-10%50VX7R 1206 CERAMIC CHIP CAPACITOR	CC 0099.8421.00	MURATA	GRM42-6 X7R681K50PT	
C19	CC 4,7NF+-10%6X9R2000 CAPACITOR	CC 0087.7102.00	PHILIPS_CO	2222 630 51472	
C20	CE 22UF+-20%63V RM5 ELECTROLYTIC CAPACITOR	0008.7433.00	PHILIPS_CO	2222 116 90111	
C21	CC 15PF+-1% 50V NPO 1206 CERAMIC CHIP CAPACITOR	CC 0099.8750.00	MURATA	GRM42-6COG 150F50ZPT	
C22	CC 4,7NF+-10%6X9R2000 CAPACITOR	CC 0087.7102.00	PHILIPS_CO	2222 630 51472	
C23	CE 22UF+-20%63V RM5 ELECTROLYTIC CAPACITOR	0008.7433.00	PHILIPS_CO	2222 116 90111	
C24	CC 15PF+-1% 50V NPO 1206 CERAMIC CHIP CAPACITOR	CC 0099.8750.00	MURATA	GRM42-6COG 150F50ZPT	
C25	CC 4,7NF+-10%6X9R2000 CAPACITOR	CC 0087.7102.00	PHILIPS_CO	2222 630 51472	
C26	CC 4,7NF+-10%6X9R2000 CAPACITOR	CC 0087.7102.00	PHILIPS_CO	2222 630 51472	
C27	CK 150NF+-20%100V QUADER PLASTIC-FOIL CAPACITOR	CK 0006.5040.00	PLESSEY	R 60 EF 3150 AAM	
C28	CC 1NF+-10%50VX7R 1206 CERAMIC CHIP CAPACITOR	CC 0099.8438.00	MURATA	GRM42-6 X7R 102 K50	
C29	CC 1UF+-10%50V7K1200VIEL CAPACITOR	0084.5538.00	UNION_CARB	CK 06 BX 105K	
C30	CK 1UF+-5%50V7,5X5,5X10,5 CAPACITOR	CK 0099.2998.00	SIEMENS	B32529-C5105-J189	
C31	CK 1UF+-5%50V7,5X5,5X10,5 CAPACITOR	CK 0099.2998.00	SIEMENS	B32529-C5105-J189	
C32	CC 100PF+-1%50V NPO 1206 CERAMIC CHIP CAPACITOR	CC 0099.8415.00	MURATA	GRM42-6COG 101F50ZPT	
C35	CC 10NF-20+50%7X8R4000 CAPACITOR	CC 0087.7525.00	VALVO	2222 640 51103	
C36	CC 1NF+-10%50VX7R 1206 CERAMIC CHIP CAPACITOR	CC 0099.8438.00	MURATA	GRM42-6 X7R 102 K50	
C37	CC 1NF+-10%50VX7R 1206 CERAMIC CHIP CAPACITOR	CC 0099.8438.00	MURATA	GRM42-6 X7R 102 K50	
C38	CC 1PF+-0,25 50V NPO 1206 CERAMIC CHIP CAPACITOR	CC 0099.8667.00	MURATA	GRM42-6COG 1R0 C50PT	
C40	CC 10NF-20+50%7X8R4000 CAPACITOR	CC 0087.7525.00	VALVO	2222 640 51103	

MEZ15

790 3PLU

Äi

Datum
Date

Schaltteilliste für
Parts list for

Sachnummer
Stock No.

Blatt-Nr.
Page



ROHDE & SCHWARZ

62 03.05.99

EE HF-OSZILLATOR
RF OSCILLATOR


0801.5110.01 SA

1+

095.0026-0693

Kennz. Comp. No.	Benennung Designation	Sachnummer Stock No.	Hersteller Manufacturer	Bezeichnung Designation	enthalten in contained in
C41	CC 1NF+-10%50VX7R 1206 CERAMIC CHIP CAPACITOR	CC 0099.8438.00	MURATA	GRM42-6 X7R 102 K50	
C42	CC 47PF+-2%5X6NPO CAPACITOR	CC 0087.6506.00	PHILIPS_CO	2222 678	
C50	CC 10NF-20+50%7X8R4000 CAPACITOR	CC 0087.7525.00	VALVO	2222 640 51103	
C51	CE 22UF+-20%63V RM5 ELECTROLYTIC CAPACITOR	0008.7433.00	PHILIPS_CO	2222 116 90111	
C52	CC 47PF+-1%50V COG 1206 CERAMIC CHIP CAPACITOR	CC 0099.8496.00	MURATA	GRM42-6COG 470F50ZPT	
C60	CE 1UF+-20%63V RD9XM13RM5 ELECTROLYTIC CAPACITOR	0008.7485.00	PHILIPS_CO	2222 036 90382	
C61	CE 22UF+-20%63V RM5 ELECTROLYTIC CAPACITOR	0008.7433.00	PHILIPS_CO	2222 116 90111	
C62	CK 47NF+-5%63V RD2,5H7MKT CAPACITOR	CK 0099.2917.00	SIEMENS	B 32529-C473-J	
C63	CC 10NF-20+50%7X8R4000 CAPACITOR	CC 0087.7525.00	VALVO	2222 640 51103	
C64	CC 68PF+-2%6X7NPO CAPACITOR	CC 0087.6529.00	PHILIPS_CO	2222 678	
C65	CC 8,2PF+-0,25PF3X4NPO CAPACITOR	CC 0087.6412.00	VALVO	2222 678	
C66	CC 470PF+-10%3X4R2000 CAPACITOR	CC 0087.6993.00	PHILIPS_CO	2222 630 51471	
C85	CC 4,7NF+-10%6X9R2000 CAPACITOR	CC 0087.7102.00	PHILIPS_CO	2222 630 51472	
C86	CC 47PF+-2%5X6NPO CAPACITOR	CC 0087.6506.00	PHILIPS_CO	2222 678	
C90	CC 22PF+-1%50V NPO 1206 CERAMIC CHIP CAPACITOR	CC 0099.8396.00	MURATA	GRM42-6COG 220F50ZPT	
C91	CC 6,8PF+-0,25 50VNP01206 CERAMIC CHIP CAPACITOR	CC 0007.8236.00	MURATA	GRM42-6COG 6R8 C50PT	
C92	CC 10NF-20+50%7X8R4000 CAPACITOR	CC 0087.7525.00	VALVO	2222 640 51103	
C93	CC 22PF+-1%50V NPO 1206 CERAMIC CHIP CAPACITOR	CC 0099.8396.00	MURATA	GRM42-6COG 220F50ZPT	
C94	CC 3,9PF+-0,25 50VNP01206 CERAMIC CHIP CAPACITOR	CC 0007.8207.00	MURATA	GRM42-6COG 3R9 C50PT	
C95	CC 6,8PF+-0,25 50VNP01206 CERAMIC CHIP CAPACITOR	CC 0007.8236.00	MURATA	GRM42-6COG 6R8 C50PT	
C96	CC 22PF+-1%50V NPO 1206 CERAMIC CHIP CAPACITOR	CC 0099.8396.00	MURATA	GRM42-6COG 220F50ZPT	
C97	CT 13PF 7RDX13TK50 250V TRIMMER	CT 0450.7283.00	TEKELEC	AT 5400	
C98	CC 100PF+-1%50V NPO 1206 CERAMIC CHIP CAPACITOR	CC 0099.8415.00	MURATA	GRM42-6COG 101F50ZPT	
C99	CC 3,9PF+-0,25 50VNP01206 CERAMIC CHIP CAPACITOR	CC 0007.8207.00	MURATA	GRM42-6COG 3R9 C50PT	
C105	CC 4,7NF+-10%6X9R2000 CAPACITOR	CC 0087.7102.00	PHILIPS_CO	2222 630 51472	
C110	CC 22PF+-1%50V NPO 1206 CERAMIC CHIP CAPACITOR	CC 0099.8396.00	MURATA	GRM42-6COG 220F50ZPT	
C111	CC 3,9PF+-0,25 50VNP01206 CERAMIC CHIP CAPACITOR	CC 0007.8207.00	MURATA	GRM42-6COG 3R9 C50PT	
C112	CC 10NF-20+50%7X8R4000 CAPACITOR	CC 0087.7525.00	VALVO	2222 640 51103	
C113	CC 22PF+-1%50V NPO 1206 CERAMIC CHIP CAPACITOR	CC 0099.8396.00	MURATA	GRM42-6COG 220F50ZPT	
C114	CC 1,8PF+-0,25 50VNP01206 CERAMIC CHIP CAPACITOR	CC 0007.8165.00	MURATA	GRM42-6COG 1R8 C50PT	
C115	CC 3,9PF+-0,25 50VNP01206 CERAMIC CHIP CAPACITOR	CC 0007.8207.00	MURATA	GRM42-6COG 3R9 C50PT	
C116	CC 22PF+-1%50V NPO 1206 CERAMIC CHIP CAPACITOR	CC 0099.8396.00	MURATA	GRM42-6COG 220F50ZPT	
C117	CT 9,2PF TAUCHTR.RD 7X12 AIR-TYPE TRIMMER	CT 0025.7367.00	TEKELEC	TL 248	
C118	CC 100PF+-1%50V NPO 1206 CERAMIC CHIP CAPACITOR	CC 0099.8415.00	MURATA	GRM42-6COG 101F50ZPT	
C130	CC 1NF+-10%50VX7R 1206 CERAMIC CHIP CAPACITOR	CC 0099.8438.00	MURATA	GRM42-6 X7R 102 K50	
C131	CC 4,7PF+-0,25 50VNP01206 CERAMIC CHIP CAPACITOR	CC 0007.8213.00	MURATA	GRM42-6COG 4R7C 50PT	
C132	CC 10NF+-10%50V X7R 1206 CERAMIC CHIP CAPACITOR	CC 0099.8521.00	MURATA	GRM42-6X7R103K 50PT	
C133	CC 100PF+-1%50V NPO 1206 CERAMIC CHIP CAPACITOR	CC 0099.8415.00	MURATA	GRM42-6COG 101F50ZPT	
C140	CK 100NF+-5%63VRD2,5H7MKT CAPACITOR	CK 0099.2930.00	SIEMENS	B 32 529-C104-J	


wir uns alle Rechte vor.

MEZ15	790 3PLU	ÄI	Datum Date	Schaltteilleiste für Parts list for	Sachnummer Stock No.	Blatt-Nr. Page
		62	03.05.99	EE HF-OSZILLATOR RF OSCILLATOR	0801.5110.01 SA	2+

095.0026-0693

Für diese Unterlage behalten wir uns alle Rechte vor.


Kennz. Comp. No.	Benennung Designation	Sachnummer Stock No.	Hersteller Manufacturer	Bezeichnung Designation	enthalten in contained in
C141	CC 10NF-20+50%7X8R4000 CAPACITOR	CC 0087.7525.00	VALVO	2222 640 51103	
C150	CC 1NF+-10%63V K2000 CERAMIC CAPACITOR	CC 0022.0784.00	PHILIPS_CO	2222 630	
C200	CC 10NF-20+50%7X8R4000 CAPACITOR	CC 0087.7525.00	VALVO	2222 640 51103	
C201	CC 10NF-20+50%7X8R4000 CAPACITOR	CC 0087.7525.00	VALVO	2222 640 51103	
C202	CC 10NF-20+50%7X8R4000 CAPACITOR	CC 0087.7525.00	VALVO	2222 640 51103	
C205	CC 10NF-20+50%7X8R4000 CAPACITOR	CC 0087.7525.00	VALVO	2222 640 51103	
C206	CC 47PF+-2%5X6NPO CAPACITOR	CC 0087.6506.00	PHILIPS_CO	2222 678	
C211	CC 10NF-20+50%7X8R4000 CAPACITOR	CC 0087.7525.00	VALVO	2222 640 51103	
C212	CC 10NF-20+50%7X8R4000 CAPACITOR	CC 0087.7525.00	VALVO	2222 640 51103	
C214	CK 220NF+-5%63VRD3, 5H9MKT CAPACITOR	CK 0099.2952.00	SIEMENS	B 32 529-A224-J	
C216	CK 220NF+-5%63VRD3, 5H9MKT CAPACITOR	CK 0099.2952.00	SIEMENS	B 32 529-A224-J	
C218	CC 22PF+-2%3X4N750 CAPACITOR	CC 0087.6829.00	VALVO	2222 678 58229	
C222	CC 10NF-20+50%7X8R4000 CAPACITOR	CC 0087.7525.00	VALVO	2222 640 51103	
C230	CC 10PF+-0,25PF3X4N750 CAPACITOR	CC 0087.6787.00	PHILIPS_CO	2222 678 57109	
C231	CC 10NF-20+50%7X8R4000 CAPACITOR	CC 0087.7525.00	VALVO	2222 640 51103	
C232	CC 10NF-20+50%7X8R4000 CAPACITOR	CC 0087.7525.00	VALVO	2222 640 51103	
C234	CE 22UF+-20%63V RM5 ELECTROLYTIC CAPACITOR	0008.7433.00	PHILIPS_CO	2222 116 90111	
C236	CE 22UF+-20%63V RM5 ELECTROLYTIC CAPACITOR	0008.7433.00	PHILIPS_CO	2222 116 90111	
C240	CC 10NF-20+50%7X8R4000 CAPACITOR	CC 0087.7525.00	VALVO	2222 640 51103	
C242	CK 7,5NF+-1,25%63V7,5QUAD CAPACITOR	CK 0213.4376.00	SIEMENS	B33531-A5752-F	
C260	CC 10NF-20+50%7X8R4000 CAPACITOR	CC 0087.7525.00	VALVO	2222 640 51103	
C261	CC 10NF-20+50%7X8R4000 CAPACITOR	CC 0087.7525.00	VALVO	2222 640 51103	
C262	CC 10NF-20+50%7X8R4000 CAPACITOR	CC 0087.7525.00	VALVO	2222 640 51103	
C263	CC 220PF+-10%63V3X5D2000 CAPACITOR	CC 0099.5616.00	PHILIPS_CO	2222 630 08221	
C265	CC 10NF-20+50%7X8R4000 CAPACITOR	CC 0087.7525.00	VALVO	2222 640 51103	
C266	CC 22PF+-2%3X4N750 CAPACITOR	CC 0087.6829.00	VALVO	2222 678 58229	
C270	CC 10NF-20+50%7X8R4000 CAPACITOR	CC 0087.7525.00	VALVO	2222 640 51103	
C271	CC 10NF-20+50%7X8R4000 CAPACITOR	CC 0087.7525.00	VALVO	2222 640 51103	
C274	CT 9,2PF TAUCHTR.RD 7X12 AIR-TYPE TRIMMER	CT 0025.7373.00	TEKELEC	TL 191	
C275	CC 10NF-20+50%7X8R4000 CAPACITOR	CC 0087.7525.00	VALVO	2222 640 51103	
C276	CC 10NF-20+50%7X8R4000 CAPACITOR	CC 0087.7525.00	VALVO	2222 640 51103	
C277	CC 10NF-20+50%7X8R4000 CAPACITOR	CC 0087.7525.00	VALVO	2222 640 51103	
C278	CC 3,9PF+-0,25 50VNP01206 CERAMIC CHIP CAPACITOR	CC 0007.8207.00	MURATA	GRM42-6COG 3R9 C5OPT	
C279	CC 18 PF+-2%N470/IA3ROHR CERAMIC CAPACITOR	0022.3002.00	DRALORIC	RDLL 3X10	
C280	CK 1UF+-5%50V7,5X5,5X10,5 CAPACITOR	CK 0099.2998.00	SIEMENS	B32529-C5105-J189	
C281	CC 56 PF+-1%N150/IA3ROHR CERAMIC CAPACITOR	0022.3754.00	DRALORIC	RDLL	
C282	CE 47UF+-20%63V RM5 ELECTROLYTIC CAPACITOR	0008.7440.00	PHILIPS_CO	2222 116 90112	
C283	CC 120PF+- 5%100V NPO VIE CERAMIC CAPACITOR	CC 0060.0788.00	UNION_CARB	CO 52C121J 1G5CA	
C284	CC 10NF-20+50%7X8R4000 CAPACITOR	CC 0087.7525.00	VALVO	2222 640 51103	

MEZ 15	790 3PLU	Äi	Datum Date	Schaltteilliste für Parts list for	Sachnummer Stock No.	Blatt-Nr. Page
		62	03.05.99	EE HF-OSZILLATOR RF OSCILLATOR	0801.5110.01 SA	3+

095.0026-0693

Kennz. Comp. No.	Benennung Designation	Sachnummer Stock No.	Hersteller Manufacturer	Bezeichnung Designation	enthalten in contained in
C285	CE 22UF+-20%63V RM5 ELECTROLYTIC CAPACITOR	0008.7433.00	PHILIPS_CO	2222 116 90111	
C286	CC 10NF-20+50%7X8R4000 CAPACITOR	CC 0087.7525.00	VALVO	2222 640 51103	
C287	CE 47UF+-20%63V RM5 ELECTROLYTIC CAPACITOR	0008.7440.00	PHILIPS_CO	2222 116 90112	
C292	CC 120PF+- 5%100V NPO VIE CERAMIC CAPACITOR	CC 0060.0788.00	UNION_CARB	CO 52C121J 1G5CA	
C300	CC 10NF-20+50%7X8R4000 CAPACITOR	CC 0087.7525.00	VALVO	2222 640 51103	
C310	CC 10NF-20+50%7X8R4000 CAPACITOR	CC 0087.7525.00	VALVO	2222 640 51103	
C312	CC 10PF+-0,25 50VNPO 1206 CERAMIC CHIP CAPACITOR	CC 0099.8480.00	MURATA	GRM42-6COG 100 C5OPT	
C313	CC 10NF-20+50%7X8R4000 CAPACITOR	CC 0087.7525.00	VALVO	2222 640 51103	
C315	CC 10NF-20+50%7X8R4000 CAPACITOR	CC 0087.7525.00	VALVO	2222 640 51103	
C318	CC 470PF+-10%3X4R2000 CAPACITOR	CC 0087.6993.00	PHILIPS_CO	2222 630 51471	
C319	CC 1NF+-10%63V K2000 CERAMIC CAPACITOR	CC 0022.0784.00	PHILIPS_CO	2222 630	
C320	CC 10NF-20+50%7X8R4000 CAPACITOR	CC 0087.7525.00	VALVO	2222 640 51103	
C321	CC 10NF-20+50%7X8R4000 CAPACITOR	CC 0087.7525.00	VALVO	2222 640 51103	
C323	CC 10NF-20+50%7X8R4000 CAPACITOR	CC 0087.7525.00	VALVO	2222 640 51103	
C324	CC 1NF+-10%63V K2000 CERAMIC CAPACITOR	CC 0022.0784.00	PHILIPS_CO	2222 630	
C325	CK 100NF+-5%63VRD2,5H7MKT CAPACITOR	CK 0099.2930.00	SIEMENS	B 32 529-C104-J	
C326	CC 10NF-20+50%7X8R4000 CAPACITOR	CC 0087.7525.00	VALVO	2222 640 51103	
C338	CC 10NF-20+50%7X8R4000 CAPACITOR	CC 0087.7525.00	VALVO	2222 640 51103	
C339	CC 10NF-20+50%7X8R4000 CAPACITOR	CC 0087.7525.00	VALVO	2222 640 51103	
C340	CC 10NF-20+50%7X8R4000 CAPACITOR	CC 0087.7525.00	VALVO	2222 640 51103	
C341	CC 2,2NF+-10%5X6R2000 CAPACITOR	CC 0087.7060.00	PHILIPS_CO	2222 630 51222	
C351	CK 220NF+-5%63VRD3,5H9MKT CAPACITOR	CK 0099.2952.00	SIEMENS	B 32 529-A224-J	
C353	CK 220NF+-5%63VRD3,5H9MKT CAPACITOR	CK 0099.2952.00	SIEMENS	B 32 529-A224-J	
C354	CC 4,7NF+-10%6X9R2000 CAPACITOR	CC 0087.7102.00	PHILIPS_CO	2222 630 51472	
C355	CE 47UF+-20%63V RM5 ELECTROLYTIC CAPACITOR	0008.7440.00	PHILIPS_CO	2222 116 90112	
C356	CK 22NF+-5%63V RD2,5H7MKT CAPACITOR	CK 0099.2881.00	SIEMENS	B 32 529-A223-J	
C357	CK 1UF+-5%50V7,5X5,5X10,5 CAPACITOR	CK 0099.2998.00	SIEMENS	B32529-C5105-J189	
C362	CC 470PF+-10%3X4R2000 CAPACITOR	CC 0087.6993.00	PHILIPS_CO	2222 630 51471	
C363	CK 100NF+-5%63VRD2,5H7MKT CAPACITOR	CK 0099.2930.00	SIEMENS	B 32 529-C104-J	
C365	CC 10PF+-0,25PF3X4N750 CAPACITOR	CC 0087.6787.00	PHILIPS_CO	2222 678 57109	
C368	CE 470UF+-20%25V12,5X12,5 ELECTROLYTIC CAPACITOR NUR VAR/ONLY MOD: 04	0803.0715.00	NAT_PANASO	ECA-1EM471	
C370	CC 10PF+-0,25PF3X4N750 CAPACITOR	CC 0087.6787.00	PHILIPS_CO	2222 678 57109	
C375	CC 10PF+-0,25PF3X4N750 CAPACITOR	CC 0087.6787.00	PHILIPS_CO	2222 678 57109	
C380	CC 10PF+-0,25PF3X4N750 CAPACITOR	CC 0087.6787.00	PHILIPS_CO	2222 678 57109	
C385	CE 47UF+-20%6,3V SAL ELECTR.CAPACITOR NUR VAR/ONLY MOD: 04	CE 0007.3957.00	VALVO	2222 128 33479	
C385	CE 47UF+-20%63V RM5 ELECTROLYTIC CAPACITOR NUR VAR/ONLY MOD: 02	0008.7440.00	PHILIPS_CO	2222 116 90112	
C386	CC 10NF-20+50%7X8R4000 CAPACITOR	CC 0087.7525.00	VALVO	2222 640 51103	

wir uns alle Rechte vor.


MEZ15	790 3PLU	Äi	Datum Date	Schaltteilliste für Parts list for	Sachnummer Stock No.	Blatt-Nr. Page
	62	03.05.99	EE HF-OSZILLATOR RF OSCILLATOR	0801.5110.01 SA	4+	

095.0026-0693

Für diese Unterlage behalten wir uns alle Rechte vor.

Kennz. Comp. No.	Benennung Designation	Sachnummer Stock No.	Hersteller Manufacturer	Bezeichnung Designation	enthalten in contained in
C387	CE 47UF+-20%63V RM5 ELECTROLYTIC CAPACITOR	0008.7440.00	PHILIPS_CO	2222 116 90112	
C388	CC 10NF-20+50%7X8R4000 CAPACITOR	CC 0087.7525.00	VALVO	2222 640 51103	
C389	CC 10NF-20+50%7X8R4000 CAPACITOR	CC 0087.7525.00	VALVO	2222 640 51103	
C396	CE 220UF+-20%35V RM5 ELECTROLYTIC CAPACITOR	CE 0008.7904.00	PANASONIC	ECA 1 VFG 221 B	
C400	CC 10NF-20+50%7X8R4000 CAPACITOR	CC 0087.7525.00	VALVO	2222 640 51103	
C402	CC 10NF-20+50%7X8R4000 CAPACITOR	CC 0087.7525.00	VALVO	2222 640 51103	
C410	CC 10NF-20+50%7X8R4000 CAPACITOR	CC 0087.7525.00	VALVO	2222 640 51103	
C420	CC 1NF+-10%50VX7R 1206 CERAMIC CHIP CAPACITOR	CC 0099.8438.00	MURATA	GRM42-6 X7R 102 K50	
C421	CC 100PF+-1%50V NPO 1206 CERAMIC CHIP CAPACITOR	CC 0099.8415.00	MURATA	GRM42-6COG 101F50ZPT	
C422	CC 100PF+-1%50V NPO 1206 CERAMIC CHIP CAPACITOR	CC 0099.8415.00	MURATA	GRM42-6COG 101F50ZPT	
C423	CC 1NF+-10%63V K2000 CERAMIC CAPACITOR	CC 0022.0784.00	PHILIPS_CO	2222 630	
C424	CC 1PF+-0,25 50V NPO 1206 CERAMIC CHIP CAPACITOR	CC 0099.8667.00	MURATA	GRM42-6COG 1R0 C50PT	
C425	CC 100PF+-1%50V NPO 1206 CERAMIC CHIP CAPACITOR	CC 0099.8415.00	MURATA	GRM42-6COG 101F50ZPT	
C430	CC 1NF+-10%63V K2000 CERAMIC CAPACITOR	CC 0022.0784.00	PHILIPS_CO	2222 630	
C431	CC 1NF+-10%63V K2000 CERAMIC CAPACITOR	CC 0022.0784.00	PHILIPS_CO	2222 630	
C432	CC 1NF+-10%63V K2000 CERAMIC CAPACITOR	CC 0022.0784.00	PHILIPS_CO	2222 630	
C433	CC 1NF+-10%50VX7R 1206 CERAMIC CHIP CAPACITOR	CC 0099.8438.00	MURATA	GRM42-6 X7R 102 K50	
C434	CC 1NF+-10%50VX7R 1206 CERAMIC CHIP CAPACITOR	CC 0099.8438.00	MURATA	GRM42-6 X7R 102 K50	
C435	CC 1NF+-10%63V K2000 CERAMIC CAPACITOR	CC 0022.0784.00	PHILIPS_CO	2222 630	
C436	CC 4,7NF+-10%6X9R2000 CAPACITOR	CC 0087.7102.00	PHILIPS_CO	2222 630 51472	
C437	CC 10NF-20+50%7X8R4000 CAPACITOR	CC 0087.7525.00	VALVO	2222 640 51103	
C440	CC 10NF-20+50%7X8R4000 CAPACITOR	CC 0087.7525.00	VALVO	2222 640 51103	
C450	CC 10NF-20+50%7X8R4000 CAPACITOR	CC 0087.7525.00	VALVO	2222 640 51103	
C460	CC 10NF-20+50%7X8R4000 CAPACITOR	CC 0087.7525.00	VALVO	2222 640 51103	
C470	CC 10NF-20+50%7X8R4000 CAPACITOR	CC 0087.7525.00	VALVO	2222 640 51103	
C475	CC 10NF-20+50%7X8R4000 CAPACITOR	CC 0087.7525.00	VALVO	2222 640 51103	
C480	CC 10NF-20+50%7X8R4000 CAPACITOR	CC 0087.7525.00	VALVO	2222 640 51103	
C482	CC 1NF+-10%63V K2000 CERAMIC CAPACITOR	CC 0022.0784.00	PHILIPS_CO	2222 630	
C490	CC 10NF-20+50%7X8R4000 CAPACITOR	CC 0087.7525.00	VALVO	2222 640 51103	
C510	CC 10NF-20+50%7X8R4000 CAPACITOR	CC 0087.7525.00	VALVO	2222 640 51103	
C511	CC 120PF+-2%5X6N750 CAPACITOR	CC 0087.6912.00	PHILIPS_CO	2222 678 58121	
C512	CK 4,7NF+-10%100V RM5 KC POLYCARBONATE CAPACITOR	0099.6058.00	WESTERMANN	FKC2	
C530	CC 10NF-20+50%7X8R4000 CAPACITOR	CC 0087.7525.00	VALVO	2222 640 51103	
C540	CC 10NF-20+50%7X8R4000 CAPACITOR	CC 0087.7525.00	VALVO	2222 640 51103	
C541	CC 10NF-20+50%7X8R4000 CAPACITOR	CC 0087.7525.00	VALVO	2222 640 51103	
C542	CC 10NF-20+50%7X8R4000 CAPACITOR	CC 0087.7525.00	VALVO	2222 640 51103	
C545	CC 8,2PF+-0,25PF3X4NPO CAPACITOR	CC 0087.6412.00	VALVO	2222 678	
C546	CC 2,2PF+-0,25PF3X4NPO CAPACITOR	CC 0087.6341.00	PHILIPS_CO	2222 678	
C547	CC 22PF+-2%3X4N750 CAPACITOR	CC 0087.6829.00	VALVO	2222 678 58229	


095.0026-0693

MEZ15	790 3PLU	ÄI	Datum Date	Schaltteilliste für Parts list for	Sachnummer Stock No.	Blatt-Nr. Page
		62	03.05.99	EE HF-OSZILLATOR RF OSCILLATOR	0801.5110.01 SA	5+

Kennz. Comp. No.	Benennung Designation	Sachnummer Stock No.	Hersteller Manufacturer	Bezeichnung Designation	enthalten in contained in
C548	CC 5,6PF+-0,25PF3X4NPO CAPACITOR	CC 0087.6393.00	PHILIPS_CO	2222 678	
C549	CC 100PF+-2%6X7N150 CAPACITOR	CC 0087.6712.00	PHILIPS_CO	2222 678 34 101	
C550	CC 100PF+-2%6X7N150 CAPACITOR	CC 0087.6712.00	PHILIPS_CO	2222 678 34 101	
C552	CC 10NF-20+50%7X8R4000 CAPACITOR	CC 0087.7525.00	VALVO	2222 640 51103	
C553	CC 180PF+-2%6X7N750 CAPACITOR	CC 0087.6935.00	PHILIPS_CO	2222 678 58181	
C565	CC 10NF-20+50%7X8R4000 CAPACITOR	CC 0087.7525.00	VALVO	2222 640 51103	
C569	CC 150PF+-2%5X6N750 CAPACITOR	CC 0087.6929.00	PHILIPS_CO	2222 678 58151	
C570	CC 10NF-20+50%7X8R4000 CAPACITOR	CC 0087.7525.00	VALVO	2222 640 51103	
C571	CC 4,7NF+-10%6X9R2000 CAPACITOR	CC 0087.7102.00	PHILIPS_CO	2222 630 51472	
C572	CK 47NF+-5%63V RD2,5H7MKT CAPACITOR	CK 0099.2917.00	SIEMENS	B 32529-C473-J	
C575	CC 10NF-20+50%7X8R4000 CAPACITOR	CC 0087.7525.00	VALVO	2222 640 51103	
C580	CK 1UF+-5%50V7,5X5,5X10,5 CAPACITOR	CK 0099.2998.00	SIEMENS	B32529-C5105-J189	
C600 . .604	LD FILT.40DB/10GHZ10A300V LOWPASS-FILTER	0911.0705.00	SPECTRUM	SCI-9920-101HT	
D1	BL CA3199 4:1 PRESC IC PRESCALERDIVBY4	0372.1106.10	RCA	CA3199E	
D10	BL SN74S112N 2XJK-FLIPFL FLIP FLOP	0210.6026.00	TEXAS	SN 74S112N	
D65	BS IH401AJE 4X ANALOGSCH ANALOG SWITCH	0334.3870.10	HARRIS	IH401AJE	
D202	BJ AD7523JN 1X8B-DAC D/A CONVERTER	0801.8219.00	ANALOG_DEV	AD-7523JN	
D205	BL PC74HC4094P 8ST.SH.REG 8-STAGE SHIFT&STORE REG. NUR VAR/ONLY MOD: 02	0099.9711.00	PHILIPS_SE	(PC)74HC4094N(P)	
D205	BL CD4094BE 8BIT SH.REG SHIFT REGISTER NUR VAR/ONLY MOD: 04	0586.7726.00	RCA	CD4094BE	
D211	BJ AD7533CQ 1X10B-DAC D/A-CONVERTER	BJ 0300.8740.00	ANALOG_DEV	AD7533CQ(CD)	
D212	BL PC74HC4094P 8ST.SH.REG 8-STAGE SHIFT&STORE REG. NUR VAR/ONLY MOD: 02	0099.9711.00	PHILIPS_SE	(PC)74HC4094N(P)	
D212	BL CD4094BE 8BIT SH.REG SHIFT REGISTER NUR VAR/ONLY MOD: 04	0586.7726.00	RCA	CD4094BE	
D222	BL PC74HC4094P 8ST.SH.REG 8-STAGE SHIFT&STORE REG. NUR VAR/ONLY MOD: 02	0099.9711.00	PHILIPS_SE	(PC)74HC4094N(P)	
D222	BL CD4094BE 8BIT SH.REG SHIFT REGISTER NUR VAR/ONLY MOD: 04	0586.7726.00	RCA	CD4094BE	
D231	BJ AD7523JN 1X8B-DAC D/A CONVERTER	0801.8219.00	ANALOG_DEV	AD-7523JN	
D232	BL PC74HC4094P 8ST.SH.REG 8-STAGE SHIFT&STORE REG. NUR VAR/ONLY MOD: 02	0099.9711.00	PHILIPS_SE	(PC)74HC4094N(P)	
D232	BL CD4094BE 8BIT SH.REG SHIFT REGISTER NUR VAR/ONLY MOD: 04	0586.7726.00	RCA	CD4094BE	
D240	BL PC74HC4094P 8ST.SH.REG 8-STAGE SHIFT&STORE REG. NUR VAR/ONLY MOD: 02	0099.9711.00	PHILIPS_SE	(PC)74HC4094N(P)	
D240	BL CD4094BE 8BIT SH.REG SHIFT REGISTER NUR VAR/ONLY MOD: 04	0586.7726.00	RCA	CD4094BE	
D265	BJ AD7533CQ 1X10B-DAC D/A-CONVERTER	BJ 0300.8740.00	ANALOG_DEV	AD7533CQ(CD)	
D310	BL MC10115L 4X L.RECEIV LINE RECEIVER	BL 0302.5831.00	MOTOROLA	MC10115L	
D320	BL 74F160PC BCD DEC.COUNT ASYNC. BCD DECADE COUNTER	0099.9886.00	SIGNETICS	(N)74F160N (AN)	
D325	BL MM74HC390N 2X4B.COUNT DUAL 4-BIT DECADE COUNTER	0099.9640.00	PHILIPS_SE	(PC)74HC390N(P)	

wir uns alle Rechte vor.


095.0026-0693

MEZ15	790 3PLU	ÄI	Datum Date	Schaltteilliste für Parts list for	Sachnummer Stock No.	Blatt-Nr. Page
	62	03.05.99	EE HF-OSZILLATOR RF OSCILLATOR	0801.5110.01 SA	6+	

Für diese Unterlage behalten
wir uns alle Rechte vor.

Kennz. Comp. No.	Benennung Designation	Sachnummer Stock No.	Hersteller Manufacturer	Bezeichnung Designation	enthalten in contained in
D338	BL MM74HC393N 2X4B.B.CTR DUAL 4-BIT BINARY COUNTER	0395.2950.00	PHILIPS_SE	(PC)74HC393N(P)	
D340	BL MC14046BCP PHASE-L-L. PHASE LOCKED LOOP	0303.8986.00	MOTOROLA	MC14046BCP	
D400	BL PC74HC4094P 8ST.SH.REG 8-STAGE SHIFT&STORE REG. NUR VAR/ONLY MOD: 02	0099.9711.00	PHILIPS_SE	(PC)74HC4094N(P)	
D400	BL CD4094BE 8BIT SH.REG SHIFT REGISTER NUR VAR/ONLY MOD: 04	0586.7726.00	RCA	CD4094BE	
D402	BL MM74HC4051N 8CH.AN.MUX 8CH.ANALOG MUX/DEMUX	0099.9670.00	PHILIPS	(PC)74HC4051N(P)	
D410	BL 74F193PC U/D-BIN.CNT UP/DOWN BINARY COUNTER	0286.8559.00	PHILIPS_SE	(N)74F193N	
D430	BL UPB582C 4:1 PRESC IC PRESCALER	0820.3390.00	NEC	(UP)B582C	
D435	BL CA3199 4:1 PRESC IC PRESCALERDIVBY4	0372.1106.10	RCA	CA3199E	
D440	BL SN74S112N 2XJK-FLIPFL FLIP FLOP	0210.6026.00	TEXAS	SN 74S112N	
D450	BL 74FO2PC 4X2IN.NORG 4X2-INPUT NOR GATE	0344.6959.00	PHILIPS_SE	N74FO2N	
D460	BL 74F74PC 2XD-FLIPFLOP DUAL D-FLIPFLOP	0344.6694.00	PHILIPS_SE	N74F74N	
D470	BL 74F193PC U/D-BIN.CNT UP/DOWN BINARY COUNTER	0286.8559.00	PHILIPS_SE	(N)74F193N	
D475	BL 74F193PC U/D-BIN.CNT UP/DOWN BINARY COUNTER	0286.8559.00	PHILIPS_SE	(N)74F193N	
D480	BL MC4044P PHASE-L-L PHASE LOCKED LOOP	BL 0443.2980.10	MOTOROLA	MC4044P	
D490	BL MM74HC74N 2XD-FLIPFL DUAL D FLIP-FLOP	0571.3171.00	PHILIPS_SE	(PC)74HC74N(P)	
D510	BL TC74HC123AP 2XMULTIVIB DUAL-MONO-FLOP	0008.1912.00	TOSHIBA	TC74HC123AP	
D530	BL MM74HCOON 4X2IN.NAND QUAD 2-INPUT NAND GATE	0571.3194.00	PHILIPS_SE	(PC)74HCOON(P)	
D540	BS DG211CJ 4X ANALOGSCH ANALOG SWITCH	0801.8260.00	SILICONIX	DG211CJ	
D565	BL TC74HC123AP 2XMULTIVIB DUAL-MONO-FLOP	0008.1912.00	TOSHIBA	TC74HC123AP	
D570	BL MM74HC74N 2XD-FLIPFL DUAL D FLIP-FLOP	0571.3171.00	PHILIPS_SE	(PC)74HC74N(P)	
D575	BL MM74HCOON 4X2IN.NAND QUAD 2-INPUT NAND GATE	0571.3194.00	PHILIPS_SE	(PC)74HCOON(P)	
K240	SR 5V2000HM 1MAL UM 1 REED RELAY	SR 0267.5364.00	HAMLIN	HE721C0520	
L1	LD 4,70UH10%1,200HMO,239A CHOKE	LD 0067.2940.00	DALE	IM2	
L5	LD 10 UH 10% 3R3 144 MA CHOKE	LD 0026.4184.00	DALE	IM2	
L10	LD 4,70UH10%1,200HMO,239A CHOKE	LD 0067.2940.00	DALE	IM2	
L20	LL SPULE COIL	0801.5226.00			0801.5203.00
L25	LD 10 UH 10% 3R3 144 MA CHOKE	LD 0026.4184.00	DALE	IM2	
L35	LD 1,00UH10%1,000HMO,390A CHOKE	LD 0067.2863.00	DALE	IM2	
L65	LD 0,47UH10%0,350HMO,660A CHOKE	LD 0067.2828.00	DALE	IM2	
L85	LD 0,22UH10%0,140HM1,045A CHOKE NUR VAR/ONLY MOD: 02	LD 0067.2786.00	DALE	IM2	
L85	LD 0,22UH10%0,140HM1,045A CHOKE NUR VAR/ONLY MOD: 04	LD 0067.2786.00	DALE	IM2	
L86	LD 100 UH10%8,000HMO,084A CHOKE NUR VAR/ONLY MOD: 04	LD 0067.3101.00	DALE	IM2	
L90	LD SPULE COIL	0801.6422.00			0801.5203.00
L91	LD 0,33UH10%0,220HMO,830A CHOKE	LD 0067.2805.00	DALE	IM2	
L92	LD 0,33UH10%0,220HMO,830A CHOKE	LD 0067.2805.00	DALE	IM2	

095.0026-0693

MEZ15	790 3PLU	ÄI	Datum Date	Schalttailliste für Parts list for	Sachnummer Stock No.	Blatt-Nr. Page
	ROHDE & SCHWARZ	62	03.05.99	EE HF-OSZILLATOR RF OSCILLATOR	0801.5110.01 SA	7+

Wir uns alle Rechte vor.

Kennz. Comp. No.	Benennung Designation	Sachnummer Stock No.	Hersteller Manufacturer	Bezeichnung Designation	enthalten in contained in
L93	LD SPULE COIL	0801.6422.00			0801.5203.00
L94	LD 0,33UH10%,22OHMO,830A CHOKE	LD 0067.2805.00	DALE	IM2	
L95	LD SPULE COIL	0801.6422.00			0801.5203.00
L96	LD SPULE COIL	0801.6422.00			0801.5203.00
L98	LL SPULE COIL	0801.5261.00			0801.5203.00
L99	LL SPULE COIL	0801.5278.00			0801.5203.00
L110	LD SPULE COIL	0801.6422.00			0801.5203.00
L111	LD 0,22UH10%,14OHM1,045A CHOKE	LD 0067.2786.00	DALE	IM2	
L112	LD 0,22UH10%,14OHM1,045A CHOKE	LD 0067.2786.00	DALE	IM2	
L113	LD SPULE COIL	0801.6422.00			0801.5203.00
L114	LD 0,22UH10%,14OHM1,045A CHOKE	LD 0067.2786.00	DALE	IM2	
L115	LD SPULE COIL	0801.6422.00			0801.5203.00
L116	LD SPULE COIL	0801.6422.00			0801.5203.00
L118	LL SPULE COIL	0801.5249.00			0801.5203.00
L119	LL SPULE COIL	0801.5255.00			0801.5203.00
L130	LD 1,00UH10%1,00OHMO,390A CHOKE	LD 0067.2863.00	DALE	IM2	
L142	LD 0,22UH10%,14OHM1,045A CHOKE	LD 0067.2786.00	DALE	IM2	
L260	LD 10 UH10% 3R3 144 MA CHOKE	LD 0026.4184.00	DALE	IM2	
L275	LD 287NH 8,5W CM18P FE-K COIL+CORE	0613.6289.00	TOKO	E521HN080023	
L276	LD 287NH 8,5W CM18P FE-K COIL+CORE	0613.6289.00	TOKO	E521HN080023	
L282	LD 10 UH 10% 3R3 144 MA CHOKE	LD 0026.4184.00	DALE	IM2	
L310	LD 15,0UH10%2,80OHMO,157A CHOKE	LD 0067.3001.00	DALE	IM2	
L320	LD 15,0UH10%2,80OHMO,157A CHOKE	LD 0067.3001.00	DALE	IM2	
L325	LD 100 UH10%8,00OHMO,084A CHOKE	LD 0067.3101.00	DALE	IM2	
L385	LD 100NH 10% 0,08OHM 1,4A CHOKE	LD 0067.2740.00	DALE	IM2	
L387	LD 2,20UH10%,40OHMO,415A CHOKE	LD 0067.2905.00	DALE	IM2	
L420	LD 1,00UH10%1,00OHMO,390A CHOKE	LD 0067.2863.00	DALE	IM2	
L546	LD 15,0UH10%2,80OHMO,157A CHOKE	LD 0067.3001.00	DALE	IM2	
L547	LD 18,0UH10%3,10OHMO,149A CHOKE	LD 0067.3018.00	DALE	IM2	
N30	BD MISCHER MIXER	0914.5608.00			0801.5284.00
N35	BM OM361A HYBRID ANT AMPL ANTENNA AMPLIFIER	BM 0334.5314.00	PHILIPS_SE	OM361A	
N40	BM OM345 HYBRID ANT AMPL ANTENNA AMPLIFIER	BM 0285.1596.00	PHILIPS_SE	OM345	
N60	BO SE5534AFE LN OPAMP OPERATIONAL AMPLIFIER	0301.3335.00	SIGNETICS	SE5534AFE	
N200	BO LF412CN 2XFET OPAMP OPERATIONAL AMPLIFIER	0356.0521.00	NSC	LF412CN	
N213	BO LF156J FET OPAMP OPERATIONAL AMPLIFIER	BO 0645.7251.00	ANALOG_DEV	PM156Z	
N233	BO LF156J FET OPAMP OPERATIONAL AMPLIFIER	BO 0645.7251.00	ANALOG_DEV	PM156Z	
N260	BS TL601CP 1X ANALOGSCH ANALOG SWITCH	BJ 0213.4530.00	TEXAS	TL601CP [MJG]	
N270	BO LF412CN 2XFET OPAMP OPERATIONAL AMPLIFIER	0356.0521.00	NSC	LF412CN	

MEZ15

790 3PLU

Äi

Datum
Date

Schaltteilliste für
Parts list for

Sachnummer
Stock No.

Blatt-Nr.
Page

 **ROHDE & SCHWARZ**

62

03.05.99

EE HF-OSZILLATOR
RF OSCILLATOR

0801.5110.01 SA


8+

095.0026-0693

Für diese Unterlage behalten wir uns alle Rechte vor.


Kennz. Comp. No.	Benennung Designation	Sachnummer Stock No.	Hersteller Manufacturer	Bezeichnung Designation	enthalten in contained in
N275	BS TL601CP 1X ANALOGSCH ANALOG SWITCH	BJ 0213.4530.00	TEXAS	TL601CP [MJG]	
N300	BO LM393N 2X COMPAR COMPARATOR	0803.0696.00	NSC	LM393N	
N350	BO LF156J FET OPAMP OPERATIONAL AMPLIFIER	BO 0645.7251.00	ANALOG_DEV	PM156Z	
N360	BO NE5532AFE 2XLN OPAMP OPERATIONAL AMPLIFIER	BO 0356.0450.00	SIGNETICS	NE5532AFE	
N420	BM MSA0304 MMIC BROADBAND AMPLIFIER	0840.6094.00	AVANTEK	MSA0304	
P7	VL WIRE-WRAP PIN L=8,7 WIRE-WRAP PIN	0088.4507.00	DUPONT CON	75403-001/75401-001	
P8	VL WIRE-WRAP PIN L=8,7 WIRE-WRAP PIN	0088.4507.00	DUPONT CON	75403-001/75401-001	
P9	XX ENTHALTEN IN INCLUDED IN				
P10	LEITERPLATTE/PCB XX ENTHALTEN IN INCLUDED IN				
P11	LEITERPLATTE/PCB VL WIRE-WRAP PIN L=8,7 WIRE-WRAP PIN	0088.4507.00	DUPONT CON	75403-001/75401-001	
P12	XX ENTHALTEN IN INCLUDED IN				
P13	LEITERPLATTE/PCB VL WIRE-WRAP PIN L=8,7 WIRE-WRAP PIN	0088.4507.00	DUPONT CON	75403-001/75401-001	
P14	VL WIRE-WRAP PIN L=8,7 WIRE-WRAP PIN	0088.4507.00	DUPONT CON	75403-001/75401-001	
P15	VL WIRE-WRAP PIN L=8,7 WIRE-WRAP PIN	0088.4507.00	DUPONT CON	75403-001/75401-001	
P1A	VL WIRE-WRAP PIN L=8,7 WIRE-WRAP PIN	0088.4507.00	DUPONT CON	75403-001/75401-001	
P1B	VL WIRE-WRAP PIN L=8,7 WIRE-WRAP PIN	0088.4507.00	DUPONT CON	75403-001/75401-001	
P2A	VL WIRE-WRAP PIN L=8,7 WIRE-WRAP PIN	0088.4507.00	DUPONT CON	75403-001/75401-001	
P2B	VL WIRE-WRAP PIN L=8,7 WIRE-WRAP PIN	0088.4507.00	DUPONT CON	75403-001/75401-001	
P3A	VL WIRE-WRAP PIN L=8,7 WIRE-WRAP PIN	0088.4507.00	DUPONT CON	75403-001/75401-001	
P3B	VL WIRE-WRAP PIN L=8,7 WIRE-WRAP PIN	0088.4507.00	DUPONT CON	75403-001/75401-001	
P4A	VL WIRE-WRAP PIN L=8,7 WIRE-WRAP PIN	0088.4507.00	DUPONT CON	75403-001/75401-001	
P4B	VL WIRE-WRAP PIN L=8,7 WIRE-WRAP PIN	0088.4507.00	DUPONT CON	75403-001/75401-001	
P5A	VL WIRE-WRAP PIN L=8,7 WIRE-WRAP PIN	0088.4507.00	DUPONT CON	75403-001/75401-001	
P5B	VL WIRE-WRAP PIN L=8,7 WIRE-WRAP PIN	0088.4507.00	DUPONT CON	75403-001/75401-001	
P6A	VL WIRE-WRAP PIN L=8,7 WIRE-WRAP PIN	0088.4507.00	DUPONT CON	75403-001/75401-001	
P6B	VL WIRE-WRAP PIN L=8,7 WIRE-WRAP PIN	0088.4507.00	DUPONT CON	75403-001/75401-001	
P7A	VL WIRE-WRAP PIN L=8,7 WIRE-WRAP PIN	0088.4507.00	DUPONT CON	75403-001/75401-001	
P7B	VL WIRE-WRAP PIN L=8,7 WIRE-WRAP PIN	0088.4507.00	DUPONT CON	75403-001/75401-001	
R1	RL 0,60W 18,2KOHM+-1%TK50 RESISTOR	RL 0083.1480.00	PHILIPS_CO	MRS 25	
R2	RL 0,60W 274 OHM+-1%TK50 RESISTOR	RL 0083.0178.00	RESISTA	MK2	
R3	RG 316 OHM+-1%TK100 1206 CHIP RESISTOR	0006.9000.00	ROEDERSTEI	D25	
R4	RG 38,3 OHM+-1%TK100 1206 CHIP RESISTOR	0006.8784.00	DRALORIC	CB 1206 ...	
R5	RG 12,1 OHM+-1%TK100 1206 CHIP RESISTOR	RG 0006.8661.00	PHILIPS_CO	RC02	
R6	RG 12,1 OHM+-1%TK100 1206 CHIP RESISTOR	RG 0006.8661.00	PHILIPS_CO	RC02	
R7	RG 100 OHM+-1%TK100 1206 CHIP RESISTOR	RG 0006.8884.00	PHILIPS_CO	RC02	
R11	RL 0,60W 100 OHM+-1%TK50 RESISTOR	RL 0082.6543.00	PHILIPS_CO	MRS 25	

095.0026-0693

MEZ15	790 3PLU	Äi	Datum Date	Schaltteilliste für Parts list for	Sachnummer Stock No.	Blatt-Nr. Page
		62	03.05.99	EE HF-OSZILLATOR RF OSCILLATOR	0801.5110.01 SA	9+

wir uns alle Rechte vor.

Kennz. Comp. No.	Benennung Designation	Sachnummer Stock No.	Hersteller Manufacturer	Bezeichnung Designation	enthalten in contained in
R12	RL 0,60W 1,21KOHM+-1%TK50 RESISTOR	RL 0083.0655.00	RESISTA	MK2	
R13	RL 0,60W 221 OHM+-1%TK50 RESISTOR	RL 0083.0084.00	PHILIPS_CO	MRS 25	
R15	RL 0,60W 100 OHM+-1%TK50 RESISTOR	RL 0082.6543.00	PHILIPS_CO	MRS 25	
R16	RL 0,60W 10,0KOHM+-1%TK50 RESISTOR	RL 0083.1297.00	PHILIPS_CO	MRS 25	
R17	RG 46,4 OHM+-1%TK100 1206 CHIP RESISTOR	0006.8803.00	DRALORIC	CB 1206 ...	
R18	RL 0,60W 1KOHM+-1%TK50 RESISTOR	RL 0082.2160.00	PHILIPS_CO	MRS 25	
R19	RG 46,4 OHM+-1%TK100 1206 CHIP RESISTOR	0006.8803.00	DRALORIC	CB 1206 ...	
R20	RL 0,60W 47,5 OHM+-1%TK50 RESISTOR	RL 0082.9507.00	RESISTA	MK2	
R21	RL 0,60W 1,50KOHM+-1%TK50 RESISTOR	RL 0083.0732.00	PHILIPS_CO	MRS 25	
R22	RG 1,0 KO +-1%TK100 1206 CHIP RESISTOR	RG 0006.7271.00	PHILIPS_CO	RCO2	
R30	RL 0,60W 825 OHM+-1%TK50 RESISTOR	RL 0082.2502.00	RESISTA	MK2	
R31	RL 0,60W 6,81KOHM+-1%TK50 RESISTOR	RL 0082.2560.00	RESISTA	MK2	
R32	RL 0,60W 825 OHM+-1%TK50 RESISTOR	RL 0082.2502.00	RESISTA	MK2	
R33	RL 0,60W 6,81KOHM+-1%TK50 RESISTOR	RL 0082.2560.00	RESISTA	MK2	
R35	RL 0,60W 56,2 OHM+-1%TK50 RESISTOR	RL 0082.9571.00	RESISTA	MK2	
R36	RG 100 OHM+-1%TK100 1206 CHIP RESISTOR	RG 0006.8884.00	PHILIPS_CO	RCO2	
R37	RG 215 OHM+-1%TK100 1206 CHIP RESISTOR	0006.8961.00	ROEDERSTEI	D25	
R38	RG 100 OHM+-1%TK100 1206 CHIP RESISTOR	RG 0006.8884.00	PHILIPS_CO	RCO2	
R40	RL 0,60W 221 OHM+-1%TK50 RESISTOR	RL 0083.0084.00	PHILIPS_CO	MRS 25	
R50	RL 0,60W 562 OHM+-1%TK50 RESISTOR	RL 0083.0461.00	RESISTA	MK2	
R51	RL 0,60W 56,2 OHM+-1%TK50 RESISTOR	RL 0082.9571.00	RESISTA	MK2	
R52	RL 0,60W 10,0 OHM+-1%TK50 RESISTOR	RL 0082.8852.00	PHILIPS_CO	MRS 25	
R53	RS 0,5W100 OHM+-10%10X10X CERMET POTENTIOMETER T	RS 0247.7984.00	BI_TECHNOL	72PM	
R54	RL 0,60W 2,74KOHM+-1%TK50 RESISTOR	RL 0083.0926.00	PHILIPS_CO	MRS 25	
R55	RL 0,60W 2,74KOHM+-1%TK50 RESISTOR	RL 0083.0926.00	PHILIPS_CO	MRS 25	
R56	RL 0,60W 1KOHM+-1%TK50 RESISTOR	RL 0082.2160.00	PHILIPS_CO	MRS 25	
R60	RL 0,60W 1KOHM+-1%TK50 RESISTOR	RL 0082.2160.00	PHILIPS_CO	MRS 25	
R61	RL 0,60W 475 OHM+-1%TK50 RESISTOR	RL 0083.0390.00	PHILIPS_CO	MRS 25	
R62	RL 0,60W 100 OHM+-1%TK50 RESISTOR	RL 0082.6543.00	PHILIPS_CO	MRS 25	
R63	RL 0,60W 1,82KOHM+-1%TK50 RESISTOR	RL 0082.2277.00	PHILIPS_CO	MRS 25	
R64	RL 0,60W 82,5KOHM+-1%TK50 RESISTOR	RL 0082.2302.00	PHILIPS_CO	MRS 25	
R65	RL 0,60W 22,1KOHM+-1%TK50 RESISTOR	RL 0083.1545.00	RESISTA	MK2	
R66	RL 0,60W 221 OHM+-1%TK50 RESISTOR	RL 0083.0084.00	PHILIPS_CO	MRS 25	
R67	RL 0,60W 47,5 OHM+-1%TK50 RESISTOR	RL 0082.9507.00	RESISTA	MK2	
R70	RL 0,60W 10,0KOHM+-1%TK50 RESISTOR	RL 0083.1297.00	PHILIPS_CO	MRS 25	
R71	RL 0,60W 47,5KOHM+-1%TK50 RESISTOR	RL 0083.1800.00	RESISTA	MK2	
R72	RL 0,60W 10,0KOHM+-1%TK50 RESISTOR	RL 0083.1297.00	PHILIPS_CO	MRS 25	
R73	RL 0,60W 33,2KOHM+-1%TK50 RESISTOR	RL 0083.1674.00	RESISTA	MK2	
R80	RL 0,60W 1KOHM+-1%TK50 RESISTOR	RL 0082.2160.00	PHILIPS_CO	MRS 25	


MEZ15	790 3PLU	Äl	Datum Date	Schaltteilliste für Parts list for	Sachnummer Stock No.	Blatt-Nr. Page
		62	03.05.99	EE HF-OSZILLATOR RF OSCILLATOR	0801.5110.01 SA	10+

095.0026-0693

Für diese Unterlage behalten
wir uns alle Rechte vor.


Kennz. Comp. No.	Benennung Designation	Sachnummer Stock No.	Hersteller Manufacturer	Bezeichnung Designation	enthalten in contained in
R81	RL 0,60W 3,32KOHM+-1%TK50 RESISTOR	RL 0083.0990.00	RESISTA	MK2	
R82	RL 0,60W 10,0KOHM+-1%TK50 RESISTOR	RL 0083.1297.00	PHILIPS_CO	MRS 25	
R90	RL 0,60W 56,2 OHM+-1%TK50 RESISTOR	RL 0082.9571.00	RESISTA	MK2	
R91	RL 0,60W 562 OHM+-1%TK50 RESISTOR	RL 0083.0461.00	RESISTA	MK2	
R92	RS 0,5W500 OHM+-10%10X10X CERMET POTENTIOMETER T	RS 0247.7878.00	BI_TECHNOL	72PM	
R93	RL 0,60W 1KOHM+-1%TK50 RESISTOR	RL 0082.2160.00	PHILIPS_CO	MRS 25	
R94	RL 0,60W 1KOHM+-1%TK50 RESISTOR	RL 0082.2160.00	PHILIPS_CO	MRS 25	
R95	RG 11,0 OHM+-1%TK100 1206 CHIP RESISTOR	RG 0006.8655.00	PHILIPS_CO	RC02	
R96	RL 0,60W 2,74KOHM+-1%TK50 RESISTOR	RL 0083.0926.00	PHILIPS_CO	MRS 25	
R98	RG 10,0KOHM+-1%TK100 1206 RG CHIP RESISTOR	RG 0007.0793.00	PHILIPS_CO	RC02	
R99	RG 825 OHM+-1%TK100 1206 CHIP RESISTOR	RG 0006.7259.00	PHILIPS_CO	RC02	
R100	RL 0,60W 1KOHM+-1%TK50 RESISTOR	RL 0082.2160.00	PHILIPS_CO	MRS 25	
R101	RL 0,60W 3,32KOHM+-1%TK50 RESISTOR	RL 0083.0990.00	RESISTA	MK2	
R102	RL 0,60W 10,0KOHM+-1%TK50 RESISTOR	RL 0083.1297.00	PHILIPS_CO	MRS 25	
R110	RL 0,60W 56,2 OHM+-1%TK50 RESISTOR	RL 0082.9571.00	RESISTA	MK2	
R111	RL 0,60W 562 OHM+-1%TK50 RESISTOR	RL 0083.0461.00	RESISTA	MK2	
R112	RS 0,5W500 OHM+-10%10X10X CERMET POTENTIOMETER T	RS 0247.7878.00	BI_TECHNOL	72PM	
R113	RL 0,60W 1KOHM+-1%TK50 RESISTOR	RL 0082.2160.00	PHILIPS_CO	MRS 25	
R114	RL 0,60W 1KOHM+-1%TK50 RESISTOR	RL 0082.2160.00	PHILIPS_CO	MRS 25	
R115	RG 14,7OHM+-1%TK100 1206 CHIP RESISTOR	0006.8684.00	DRALORIC	CB 1206 ...	
R116	RL 0,60W 2,74KOHM+-1%TK50 RESISTOR	RL 0083.0926.00	PHILIPS_CO	MRS 25	
R118	RG 10,0KOHM+-1%TK100 1206 RG CHIP RESISTOR	RG 0007.0793.00	PHILIPS_CO	RC02	
R119	RG 825 OHM+-1%TK100 1206 CHIP RESISTOR	RG 0006.7259.00	PHILIPS_CO	RC02	
R120	RG 825 OHM+-1%TK100 1206 CHIP RESISTOR	RG 0006.7259.00	PHILIPS_CO	RC02	
R131	RG 38,3 OHM+-1%TK100 1206 CHIP RESISTOR	0006.8784.00	DRALORIC	CB 1206 ...	
R132	RG 178 OHM+-1%TK100 1206 CHIP RESISTOR	0006.8949.00	PHILIPS_CO	RC02	
R133	RG 46,4 OHM+-1%TK100 1206 CHIP RESISTOR	0006.8803.00	DRALORIC	CB 1206 ...	
R134	RL 0,60W 182 OHM+-1%TK50 RESISTOR	RL 0083.0010.00	RESISTA	MK2	
R135	RG 2,61KOHM+-1%TK100 1206 CHIP RESISTOR	0007.0658.00	DRALORIC	CB 1206 ...	
R141	RL 0,60W 47,5 OHM+-1%TK50 RESISTOR	RL 0082.9507.00	RESISTA	MK2	
R142	RL 0,60W 1,21KOHM+-1%TK50 RESISTOR	RL 0083.0655.00	RESISTA	MK2	
R143	RL 0,60W 10,0KOHM+-1%TK50 RESISTOR	RL 0083.1297.00	PHILIPS_CO	MRS 25	
R150	RL 0,60W 47,5KOHM+-1%TK50 RESISTOR	RL 0083.1800.00	RESISTA	MK2	
R151	RL 0,60W 475 KOHM+-1%TK50 RESISTOR	RL 0083.2593.00	PHILIPS_CO	MRS 25	
R152	RG 100 OHM+-1%TK100 1206 CHIP RESISTOR	RG 0006.8884.00	PHILIPS_CO	RC02	
R153	RG 68,1 OHM+-1%TK100 1206 CHIP RESISTOR	RG 0006.8849.00	PHILIPS_CO	RC02	
R154	RG 100 OHM+-1%TK100 1206 CHIP RESISTOR	RG 0006.8884.00	PHILIPS_CO	RC02	
R155	RG 68,1 OHM+-1%TK100 1206 CHIP RESISTOR	RG 0006.8849.00	PHILIPS_CO	RC02	
R156	RG 100 OHM+-1%TK100 1206 CHIP RESISTOR	RG 0006.8884.00	PHILIPS_CO	RC02	

095.0026-0693

MEZ15	790 3PLU	Äl	Datum Date	Schaltteilliste für Parts list for	Sachnummer Stock No.	Blatt-Nr. Page
	ROHDE & SCHWARZ	62	03.05.99	EE HF-OSZILLATOR RF OSCILLATOR	0801.5110.01 SA	11+

Kennz. Comp. No.	Benennung Designation	Sachnummer Stock No.	Hersteller Manufacturer	Bezeichnung Designation	enthalten in contained in
R158	RG 68,1 OHM+-1%TK100 1206 CHIP RESISTOR	RG 0006.8849.00	PHILIPS_CO	RC02	
R159	RG 100 OHM+-1%TK100 1206 CHIP RESISTOR	RG 0006.8884.00	PHILIPS_CO	RC02	
R160	RG 82,5 OHM+-1%TK100 1206 CHIP RESISTOR	RG 0006.8861.00	PHILIPS_CO	RC02	
R161	RG 82,5 OHM+-1%TK100 1206 CHIP RESISTOR	RG 0006.8861.00	PHILIPS_CO	RC02	
R200	RL 0,60W 39,2KOHM+-1%TK50 RESISTOR	RL 0083.1745.00	RESISTA	MK2	
R201	RL 0,60W 1KOHM+-1%TK50 RESISTOR	RL 0082.2160.00	PHILIPS_CO	MRS 25	
R202	RS 0,5W500 OHM+-10%10X10X CERMET POTENTIOMETER T	RS 0247.7878.00	BI_TECHNOL	72PM	
R240	RL 0,60W 4,75KOHM+-1%TK50 RESISTOR	RL 0083.1097.00	PHILIPS_CO	MRS 25	
R241	RL 0,35W1,62KOHM+-0,1%T25 RESISTOR MODEL SMG 44, SMH 44 FITTED WITH 562 OHM RL 083.0461	RL 0083.9546.00	DRALORIC	SMA0207	
R242	RL 0,35W200 OHM+-0,1%TK25 RESISTOR	RL 0083.7808.00	DRALORIC	SMA0207	
R243	RL 0,35W200 OHM+-0,1%TK25 RESISTOR	RL 0083.7808.00	DRALORIC	SMA0207	
R244	RL 0,35W100 OHM+-0,1%TK25 RESISTOR	RL 0083.7220.00	DRALORIC	SMA0207	
R260	RL 0,60W 221 OHM+-1%TK50 RESISTOR	RL 0083.0084.00	PHILIPS_CO	MRS 25	
R261	RL 0,60W 10,0KOHM+-1%TK50 RESISTOR	RL 0083.1297.00	PHILIPS_CO	MRS 25	
R262	RS 0,75W10KOHM+-10%CERMET DEPOS.-CARBON POTENTIOMET	RS 0037.7396.00	BI_TECHNOL	89 P	
R263	RL 0,60W 2,21KOHM+-1%TK50 RESISTOR	RL 0082.2477.00	RESISTA	MK2	
R264	RL 0,60W 100KOHM+-1%TK50 RESISTOR	RL 0082.1764.00	RESISTA	MK2	
R270	RL 0,60W 3,92KOHM+-1%TK50 RESISTOR	RL 0083.1039.00	PHILIPS_CO	MRS 25	
R271	RL 0,60W 10,0KOHM+-1%TK50 RESISTOR	RL 0083.1297.00	PHILIPS_CO	MRS 25	
R272	RL 0,60W 1,30KOHM+-1%TK50 RESISTOR	RL 0083.0678.00	RESISTA	MK2	
R273	RL 0,60W 3,32KOHM+-1%TK50 RESISTOR	RL 0083.0990.00	RESISTA	MK2	
R274	RL 0,60W 100KOHM+-1%TK50 RESISTOR	RL 0082.1764.00	RESISTA	MK2	
R275	RL 0,60W 10,0KOHM+-1%TK50 RESISTOR	RL 0083.1297.00	PHILIPS_CO	MRS 25	
R280	RL 0,60W 10,0KOHM+-1%TK50 RESISTOR	RL 0083.1297.00	PHILIPS_CO	MRS 25	
R281	RL 0,60W 100 OHM+-1%TK50 RESISTOR	RL 0082.6543.00	PHILIPS_CO	MRS 25	
R282	RL 0,60W 3,32KOHM+-1%TK50 RESISTOR	RL 0083.0990.00	RESISTA	MK2	
R283	RL 0,60W 3,92KOHM+-1%TK50 RESISTOR	RL 0083.1039.00	PHILIPS_CO	MRS 25	
R285	RL 0,60W 27,4KOHM+-1%TK50 RESISTOR	RL 0082.2583.00	RESISTA	MK2	
R300	RL 0,60W 2,43KOHM+-1%TK50 RESISTOR	RL 0083.0884.00	RESISTA	MK2	
R301	RL 0,60W 33,2KOHM+-1%TK50 RESISTOR	RL 0083.1674.00	RESISTA	MK2	
R302	RL 0,60W 10,0KOHM+-1%TK50 RESISTOR	RL 0083.1297.00	PHILIPS_CO	MRS 25	
R303	RL 0,60W 2,43KOHM+-1%TK50 RESISTOR	RL 0083.0884.00	RESISTA	MK2	
R304	RL 0,60W 100KOHM+-1%TK50 RESISTOR	RL 0082.1764.00	RESISTA	MK2	
R305	RL 0,60W 47,5KOHM+-1%TK50 RESISTOR	RL 0083.1800.00	RESISTA	MK2	
R306	RL 0,60W 10,0KOHM+-1%TK50 RESISTOR	RL 0083.1297.00	PHILIPS_CO	MRS 25	
R307	RL 0,60W 10,0KOHM+-1%TK50 RESISTOR	RL 0083.1297.00	PHILIPS_CO	MRS 25	
R312	RL 0,60W 100 OHM+-1%TK50 RESISTOR	RL 0082.6543.00	PHILIPS_CO	MRS 25	

wir uns alle Rechte vor.


MEZ15	790 3PLU	ÄI	Datum Date	Schaltteilliste für Parts list for	Sachnummer Stock No.	Blatt-Nr. Page
	62	03.05.99	EE HF-OSZILLATOR RF OSCILLATOR	0801.5110.01 SA	12+	

095.0026-0693

Für diese Unterlage behalten
wir uns alle Rechte vor.


Kennz. Comp. No.	Benennung Designation	Sachnummer Stock No.	Hersteller Manufacturer	Bezeichnung Designation	enthalten in contained in
R314	RL 0,60W 681 OHM+-1%TK50 RESISTOR	RL 0083.0490.00	RESISTA	MK2	
R315	RL 0,60W 221 OHM+-1%TK50 RESISTOR	RL 0083.0084.00	PHILIPS_CO	MRS 25	
R317	RL 0,60W 1KOHM+-1%TK50 RESISTOR	RL 0082.2160.00	PHILIPS_CO	MRS 25	
R318	RL 0,60W 681 OHM+-1%TK50 RESISTOR	RL 0083.0490.00	RESISTA	MK2	
R319	RL 0,60W 681 OHM+-1%TK50 RESISTOR	RL 0083.0490.00	RESISTA	MK2	
R320	RL 0,60W 100 OHM+-1%TK50 RESISTOR	RL 0082.6543.00	PHILIPS_CO	MRS 25	
R321	RL 0,60W 2,74KOHM+-1%TK50 RESISTOR	RL 0083.0926.00	PHILIPS_CO	MRS 25	
R322	RL 0,60W 221 OHM+-1%TK50 RESISTOR	RL 0083.0084.00	PHILIPS_CO	MRS 25	
R323	RL 0,60W 100 OHM+-1%TK50 RESISTOR	RL 0082.6543.00	PHILIPS_CO	MRS 25	
R324	RL 0,60W 2,21KOHM+-1%TK50 RESISTOR	RL 0082.2477.00	RESISTA	MK2	
R325	RL 0,60W 475 KOHM+-1%TK50 RESISTOR	RL 0083.2593.00	PHILIPS_CO	MRS 25	
R326	RL 0,60W 47,5KOHM+-1%TK50 RESISTOR	RL 0083.1800.00	RESISTA	MK2	
R327	RL 0,60W 475 OHM+-1%TK50 RESISTOR	RL 0083.0390.00	PHILIPS_CO	MRS 25	
R328	RL 0,60W 1KOHM+-1%TK50 RESISTOR	RL 0082.2160.00	PHILIPS_CO	MRS 25	
R337	RL 0,60W 475 OHM+-1%TK50 RESISTOR	RL 0083.0390.00	PHILIPS_CO	MRS 25	
R338	RL 0,60W 221 OHM+-1%TK50 RESISTOR	RL 0083.0084.00	PHILIPS_CO	MRS 25	
R339	RL 0,60W 2,21KOHM+-1%TK50 RESISTOR	RL 0082.2477.00	RESISTA	MK2	
R341	RL 0,60W 475 KOHM+-1%TK50 RESISTOR	RL 0083.2593.00	PHILIPS_CO	MRS 25	
R342	RL 0,60W 47,5KOHM+-1%TK50 RESISTOR	RL 0083.1800.00	RESISTA	MK2	
R350	RL 0,60W4,75MOHM+-1%TK50 METALFILMRESISTOR	RL 0099.8250.00	PHILIPS_CO	MRS 25	
R351	RL 0,60W 56,2KOHM+-1%TK50 RESISTOR	RL 0082.2231.00	RESISTA	MK2	
R352	RL 0,60W 56,2KOHM+-1%TK50 RESISTOR	RL 0082.2231.00	RESISTA	MK2	
R353	RL 0,60W 221 KOHM+-1%TK50 RESISTOR NUR VAR/ONLY MOD: 02	RL 0083.2270.00	RESISTA	MK2	
R353	RL 0,60W 165 KOHM+-1%TK50 RESISTOR NUR VAR/ONLY MOD: 04	RL 0083.2158.00	RESISTA	MK2	
R354	RL 0,60W 10,0KOHM+-1%TK50 RESISTOR	RL 0083.1297.00	PHILIPS_CO	MRS 25	
R355	RL 0,60W 10,0KOHM+-1%TK50 RESISTOR	RL 0083.1297.00	PHILIPS_CO	MRS 25	
R360	RL 0,60W 1,21KOHM+-1%TK50 RESISTOR	RL 0083.0655.00	RESISTA	MK2	
R361	RL 0,60W 1KOHM+-1%TK50 RESISTOR	RL 0082.2160.00	PHILIPS_CO	MRS 25	
R362	RL 0,60W 1KOHM+-1%TK50 RESISTOR	RL 0082.2160.00	PHILIPS_CO	MRS 25	
R363	RL 0,60W 1KOHM+-1%TK50 RESISTOR	RL 0082.2160.00	PHILIPS_CO	MRS 25	
R364	RL 0,60W 5,62KOHM+-1%TK50 RESISTOR	RL 0082.2190.00	PHILIPS_CO	MRS 25	
R365	RL 0,60W 6,19KOHM+-1%TK50 RESISTOR	RL 0082.2283.00	RESISTA	MK2	
R366	RL 0,60W 10,0KOHM+-1%TK50 RESISTOR	RL 0083.1297.00	PHILIPS_CO	MRS 25	
R367	RL 0,60W 10,0KOHM+-1%TK50 RESISTOR	RL 0083.1297.00	PHILIPS_CO	MRS 25	
R400	RL 0,60W 10,0KOHM+-1%TK50 RESISTOR	RL 0083.1297.00	PHILIPS_CO	MRS 25	
R401	RL 0,60W 2,00KOHM+-1%TK50 RESISTOR	RL 0083.0826.00	RESISTA	MK2	
R410	RL 0,60W 475 OHM+-1%TK50 RESISTOR	RL 0083.0390.00	PHILIPS_CO	MRS 25	
R420	RL 0,60W 332 OHM+-1%TK50 RESISTOR	RL 0083.0255.00	RESISTA	MK2	

095.0026-0693

MEZ15	790 3PLU	Äi	Datum Date	Schaltteilliste für Parts list for	Sachnummer Stock No.	Blatt-Nr. Page
	ROHDE & SCHWARZ	62	03.05.99	EE HF-OSZILLATOR RF OSCILLATOR	0801.5110.01 SA	13+

wir uns alle Rechte vor.

Kennz. Comp. No.	Benennung Designation	Sachnummer Stock No.	Hersteller Manufacturer	Bezeichnung Designation	enthalten in contained in
R422	RG 464 OHM+-1%TK100 1206 CHIP RESISTOR	0006.9045.00	DRALORIC	CB 1206 . . .	
R423	RL 0,60W 10,0KOHM+-1%TK50 RESISTOR	RL 0083.1297.00	PHILIPS_CO	MRS 25	
R425	RG 121 OHM+-1%TK100 1206 CHIP RESISTOR	RG 0006.8903.00	PHILIPS_CO	RC02	
R430	RG 2,21KOHM+-1%TK100 1206 RESISTOR CHIP	RG 0007.5743.00	PHILIPS_CO	RC02	
R432	RG 825 OHM+-1%TK100 1206 CHIP RESISTOR	RG 0006.7259.00	PHILIPS_CO	RC02	
R435	RG 100 OHM+-1%TK100 1206 CHIP RESISTOR	RG 0006.8884.00	PHILIPS_CO	RC02	
R436	RL 0,60W 33,2 OHM+-1%TK50 RESISTOR	RL 0082.9359.00	PHILIPS_CO	MRS 25	
R437	RL 0,60W 100 OHM+-1%TK50 RESISTOR	RL 0082.6543.00	PHILIPS_CO	MRS 25	
R440	RL 0,60W 1KOHM+-1%TK50 RESISTOR	RL 0082.2160.00	PHILIPS_CO	MRS 25	
R460	RL 0,60W 475 OHM+-1%TK50 RESISTOR	RL 0083.0390.00	PHILIPS_CO	MRS 25	
R461	RL 0,60W 1KOHM+-1%TK50 RESISTOR	RL 0082.2160.00	PHILIPS_CO	MRS 25	
R470	RL 0,60W 332 OHM+-1%TK50 RESISTOR	RL 0083.0255.00	RESISTA	MK2	
R480	RL 0,60W 1KOHM+-1%TK50 RESISTOR	RL 0082.2160.00	PHILIPS_CO	MRS 25	
R482	RL 0,60W 1KOHM+-1%TK50 RESISTOR	RL 0082.2160.00	PHILIPS_CO	MRS 25	
R490	RL 0,60W 1KOHM+-1%TK50 RESISTOR	RL 0082.2160.00	PHILIPS_CO	MRS 25	
R510	RL 0,60W 2,74KOHM+-1%TK50 RESISTOR	RL 0083.0926.00	PHILIPS_CO	MRS 25	
R511	RL 0,60W 12,1KOHM+-1%TK50 RESISTOR	RL 0083.1351.00	PHILIPS_CO	MRS 25	
R512	RL 0,60W 1KOHM+-1%TK50 RESISTOR	RL 0082.2160.00	PHILIPS_CO	MRS 25	
R513	RL 0,60W 1KOHM+-1%TK50 RESISTOR	RL 0082.2160.00	PHILIPS_CO	MRS 25	
R530	RL 0,60W 47,5KOHM+-1%TK50 RESISTOR	RL 0083.1800.00	RESISTA	MK2	
R540	RL 0,60W 100KOHM+-1%TK50 RESISTOR	RL 0082.1764.00	RESISTA	MK2	
R541	RL 0,60W 22,1KOHM+-1%TK50 RESISTOR	RL 0083.1545.00	RESISTA	MK2	
R545	RL 0,60W 1KOHM+-1%TK50 RESISTOR	RL 0082.2160.00	PHILIPS_CO	MRS 25	
R550	RL 0,60W 10,0KOHM+-1%TK50 RESISTOR	RL 0083.1297.00	PHILIPS_CO	MRS 25	
R551	RL 0,60W 10,0KOHM+-1%TK50 RESISTOR	RL 0083.1297.00	PHILIPS_CO	MRS 25	
R552	RL 0,60W 6,81KOHM+-1%TK50 RESISTOR	RL 0082.2560.00	RESISTA	MK2	
R553	RL 0,60W 475 OHM+-1%TK50 RESISTOR	RL 0083.0390.00	PHILIPS_CO	MRS 25	
R554	RL 0,60W 10,0KOHM+-1%TK50 RESISTOR	RL 0083.1297.00	PHILIPS_CO	MRS 25	
R555	RL 0,60W 274 OHM+-1%TK50 RESISTOR	RL 0083.0178.00	RESISTA	MK2	
R560	RL 0,60W 12,1KOHM+-1%TK50 RESISTOR	RL 0083.1351.00	PHILIPS_CO	MRS 25	
R561	RL 0,60W 475 OHM+-1%TK50 RESISTOR	RL 0083.0390.00	PHILIPS_CO	MRS 25	
R563	RL 0,60W 562 OHM+-1%TK50 RESISTOR	RL 0083.0461.00	RESISTA	MK2	
R564	RL 0,60W 3,92KOHM+-1%TK50 RESISTOR	RL 0083.1039.00	PHILIPS_CO	MRS 25	
R565	RL 0,60W 1KOHM+-1%TK50 RESISTOR	RL 0082.2160.00	PHILIPS_CO	MRS 25	
R566	RL 0,60W 1KOHM+-1%TK50 RESISTOR	RL 0082.2160.00	PHILIPS_CO	MRS 25	
R569	RL 0,60W 5,62KOHM+-1%TK50 RESISTOR	RL 0082.2190.00	PHILIPS_CO	MRS 25	
R570	RL 0,60W 10,0KOHM+-1%TK50 RESISTOR	RL 0083.1297.00	PHILIPS_CO	MRS 25	
R571	RL 0,60W 1KOHM+-1%TK50 RESISTOR	RL 0082.2160.00	PHILIPS_CO	MRS 25	
R572	RL 0,60W 10,0KOHM+-1%TK50 RESISTOR	RL 0083.1297.00	PHILIPS_CO	MRS 25	


MEZ15	790 3PLU	ÄI	Datum Date	Schaltteilliste für Parts list for	Sachnummer Stock No.	Blatt-Nr. Page
	62	03.05.99	EE HF-OSZILLATOR RF OSCILLATOR	0801.5110.01 SA	14+	

095.0026-0693

Für diese Unterlage behalten wir uns alle Rechte vor.

Kennz. Comp. No.	Benennung Designation	Sachnummer Stock No.	Hersteller Manufacturer	Bezeichnung Designation	enthalten in contained in
R600 ..604	RG 100 OHM+-1%TK100 1206 CHIP RESISTOR	RG 0006.8884.00	PHILIPS_CO	RC02	
R605 ..608	RL 0,60W 1KOHM+-1%TK50 RESISTOR	RL 0082.2160.00	PHILIPS_CO	MRS 25	
R609	RL 0,60W 1KOHM+-1%TK50 RESISTOR TRIMMWERT/SELECTED 1K(-8K)	RL 0082.2160.00	PHILIPS_CO	MRS 25	
T15	LU UEBERTRAGER TRANSFORMER	0801.5232.00			0801.5203.00
T30	LU UEBERTRAGER TRANSFORMER	0801.5210.00			0801.5284.00
V6	AK BFR96 N 15V 75MA TRANSISTOR	AK 0093.2738.00	VALVO	BFR96	
V11	AK BFR15A N 12V 30MA TRANSISTOR	0451.4320.10	SIEMENS	BFR15A	
V18	AK BFR96 N 15V 75MA TRANSISTOR	AK 0093.2738.00	VALVO	BFR96	
V20	AE 5082-0833 25V STEPRDI DIODE	AE 0343.0086.00	HEWLETT_PA	HP5082-0833	
V50	AM U440 SEL N-D DUALJFET DUAL FET	0801.8360.00	SILICONIX	U440 SEL.	
V60	AD 1N4448 75V UDI DIODE	AD 0012.0700.00	PHILIPS_SE	1N4448 "	
V70	AK BC173C N 25V 100MA TRANSISTOR	0010.4444.00	ITT-SEMICO	BC549C	
V72	AK BC253C P 25V 100MA PNP TRANSISTOR	0010.2829.00	ITT-SEMICO	BC559C	
V75	AE BZX79B10 0,5W ZDI ZENER DIODE	AE 0289.4302.00	VALVO	BZX79B10	
V80	AK BC253C P 25V 100MA PNP TRANSISTOR	0010.2829.00	ITT-SEMICO	BC559C	
V85	AK BC173C N 25V 100MA TRANSISTOR	0010.4444.00	ITT-SEMICO	BC549C	
V90	AK BC173C N 25V 100MA TRANSISTOR	0010.4444.00	ITT-SEMICO	BC549C	
V95	AK BFR96 N 15V 75MA TRANSISTOR	AK 0093.2738.00	VALVO	BFR96	
V96	AE BB405B 11/ 2PF CDI TUNING DIODE	0596.6839.00	PHILIPS	BB405B	
V97	AE BB405B 11/ 2PF CDI TUNING DIODE	0596.6839.00	PHILIPS	BB405B	
V98	AD BAV99 75V DUO UDI HIGH-SPEED DOUBLE DIODE	AD 0911.0092.00	VALVO	BAV99	
V100	AK BC253C P 25V 100MA PNP TRANSISTOR	0010.2829.00	ITT-SEMICO	BC559C	
V105	AK BC173C N 25V 100MA TRANSISTOR	0010.4444.00	ITT-SEMICO	BC549C	
V110	AK BC173C N 25V 100MA TRANSISTOR	0010.4444.00	ITT-SEMICO	BC549C	
V115	AK BFR96 N 15V 75MA TRANSISTOR	AK 0093.2738.00	VALVO	BFR96	
V116	AE BB405B 11/ 2PF CDI TUNING DIODE	0596.6839.00	PHILIPS	BB405B	
V117	AE BB405B 11/ 2PF CDI TUNING DIODE	0596.6839.00	PHILIPS	BB405B	
V118	AD BAV99 75V DUO UDI HIGH-SPEED DOUBLE DIODE	AD 0911.0092.00	VALVO	BAV99	
V130	AK NE85637 N 12V 100MA TRANSISTOR	0801.8231.00	NEC	NE85637 (2SC3358)	
V140	AK BC253C P 25V 100MA PNP TRANSISTOR	0010.2829.00	ITT-SEMICO	BC559C	
V141	AD 1N4448 75V UDI DIODE	AD 0012.0700.00	PHILIPS_SE	1N4448 "	
V150	AE 5082-2800 SCHOTTKY DIODE	0012.9066.00	HEWLETT_PA	5082-2800	
V240	AK BC173C N 25V 100MA TRANSISTOR	0010.4444.00	ITT-SEMICO	BC549C	
V242	AD 1N4448 75V UDI DIODE	AD 0012.0700.00	PHILIPS_SE	1N4448 "	
V260	AE BB809 26/ 6PF CDI TUNING DIODE	0092.9616.00	VALVO	BB809	
V261	AE BB809 26/ 6PF CDI TUNING DIODE	0092.9616.00	VALVO	BB809	
V262	AE BB809 26/ 6PF CDI TUNING DIODE	0092.9616.00	VALVO	BB809	


095.0026-0693

MEZ15	790 3PLU	ÄI	Datum Date	Schaltteilliste für Parts list for	Sachnummer Stock No.	Blatt-Nr. Page
		62	03.05.99	EE HF-OSZILLATOR RF OSCILLATOR	0801.5110.01 SA	15+

Kennz. Comp. No.	Benennung Designation	Sachnummer Stock No.	Hersteller Manufacturer	Bezeichnung Designation	enthalten in contained in
V275	AE BB809 26/ 6PF CDI TUNING DIODE	0092.9616.00	VALVO	BB809	
V280	AM U310 N-D 25V JFET FET	AM 0454.6217.00	SILICONIX	U310	
V307	AD 1N4448 75V UDI DIODE	AD 0012.0700.00	PHILIPS_SE	1N4448 "	
V320	AK 2N2369A N 15V 200MA TRANSISTOR	AK 0010.4680.00	VALVO	2N2369A ODER BSX20	
V324	AE 5082-2800 SCHOTTKY DIODE	0012.9066.00	HEWLETT_PA	5082-2800	
V339	AE 5082-2800 SCHOTTKY DIODE	0012.9066.00	HEWLETT_PA	5082-2800	
V350	AD 1N4448 75V UDI DIODE	AD 0012.0700.00	PHILIPS_SE	1N4448 "	
V360	AE 1N823 6,2V REF DI REFERENCE DIODE	0012.2278.00	SIEMENS	1N823	
V362	AK BC173C N 25V 100MA TRANSISTOR	0010.4444.00	ITT-SEMICO	BC549C	
V363	AK BC253C P 25V 100MA PNP TRANSISTOR	0010.2829.00	ITT-SEMICO	BC559C	
V423	AK BC173C N 25V 100MA TRANSISTOR	0010.4444.00	ITT-SEMICO	BC549C	
V425	AE BA679 30V PIN PIN DIODE	0356.1840.00	TELEFUNKEN	BA679	
V430	AD 1N4448 75V UDI DIODE	AD 0012.0700.00	PHILIPS_SE	1N4448 "	
V435	AD 1N4448 75V UDI DIODE	AD 0012.0700.00	PHILIPS_SE	1N4448 "	
V436	AK BSX29 P 12V 200MA TRANSISTOR	0010.3031.00	SGS	BSX29	
V460	AD 1N4448 75V UDI DIODE	AD 0012.0700.00	PHILIPS_SE	1N4448 "	
V470	AD 1N4448 75V UDI DIODE	AD 0012.0700.00	PHILIPS_SE	1N4448 "	
V540	AE BZX79B3V9 2% 0.5W ZDI ZENER	AE 0008.7685.00	PHILIPS_SE	BZX79B3V9	
V551	AK 2N2369A N 15V 200MA TRANSISTOR	AK 0010.4680.00	VALVO	2N2369A ODER BSX20	
V555	AK 2N2369A N 15V 200MA TRANSISTOR	AK 0010.4680.00	VALVO	2N2369A ODER BSX20	
V570	AK BC173C N 25V 100MA TRANSISTOR	0010.4444.00	ITT-SEMICO	BC549C	
X1	FP STECKERLEISTE 32POL. MULTIPOINT CONNECTOR	FP 0514.4550.00	SIEMENS	V42254-B1200-B641	
X11	FP KURZSCHLUSSBUCHSE SHORTING PLUG	FP 0491.7042.00	IS	IPC-254-BL01	
X12	FP KURZSCHLUSSBUCHSE SHORTING PLUG	FP 0491.7042.00	IS	IPC-254-BL01	
X13	FP KURZSCHLUSSBUCHSE SHORTING PLUG	FP 0491.7042.00	IS	IPC-254-BL01	
X14	FP KURZSCHLUSSBUCHSE SHORTING PLUG	FP 0491.7042.00	IS	IPC-254-BL01	
X15	FP KURZSCHLUSSBUCHSE SHORTING PLUG	FP 0491.7042.00	IS	IPC-254-BL01	
X16	FP KURZSCHLUSSBUCHSE SHORTING PLUG	FP 0491.7042.00	IS	IPC-254-BL01	
X60	FP KURZSCHLUSSBUCHSE SHORTING PLUG	FP 0491.7042.00	IS	IPC-254-BL01	
X301	FJ EINBAUSTECKER F.GS SMB ANGLE CONNECTOR	FJ 0602.8804.00	ROSENBERGE	59S-206-400-D3	
X303	FJ EINBAUSTECKER F.GS SMB ANGLE CONNECTOR	FJ 0602.8804.00	ROSENBERGE	59S-206-400-D3	
X308	FJ EINBAUSTECKER F.GS SMB ANGLE CONNECTOR	FJ 0602.8804.00	ROSENBERGE	59S-206-400-D3	
X310	FJ EINBAUSTECKER F.GS SMB ANGLE CONNECTOR	FJ 0602.8804.00	ROSENBERGE	59S-206-400-D3	
X11A	VL WIRE-WRAP PIN L=8,7 WIRE-WRAP PIN	0088.4507.00	DUPONT CON	75403-001/75401-001	
X11B	VL WIRE-WRAP PIN L=8,7 WIRE-WRAP PIN	0088.4507.00	DUPONT CON	75403-001/75401-001	
X12A	VL WIRE-WRAP PIN L=8,7 WIRE-WRAP PIN	0088.4507.00	DUPONT CON	75403-001/75401-001	
X12B	VL WIRE-WRAP PIN L=8,7 WIRE-WRAP PIN	0088.4507.00	DUPONT CON	75403-001/75401-001	
X13A	VL WIRE-WRAP PIN L=8,7 WIRE-WRAP PIN	0088.4507.00	DUPONT CON	75403-001/75401-001	


Wir uns alle Rechte vor.

095.0026-0693

MEZ15	790 3PLU	Äi	Datum Date	Schaltteilliste für Parts list for	Sachnummer Stock No.	Blatt-Nr. Page
	62	03.05.99	EE HF-OSZILLATOR RF OSCILLATOR	0801.5110.01 SA	16+	

Für diese Unterlage behalten
wir uns alle Rechte vor.

Kennz. Comp. No.	Benennung Designation	Sachnummer Stock No.	Hersteller Manufacturer	Bezeichnung Designation	enthalten in contained in
X13B	VL WIRE-WRAP PIN L=8,7 WIRE-WRAP PIN	0088.4507.00	DUPONT	CON 75403-001/75401-001	
X14A	VL WIRE-WRAP PIN L=8,7 WIRE-WRAP PIN	0088.4507.00	DUPONT	CON 75403-001/75401-001	
X14B	VL WIRE-WRAP PIN L=8,7 WIRE-WRAP PIN	0088.4507.00	DUPONT	CON 75403-001/75401-001	
X15A	VL WIRE-WRAP PIN L=8,7 WIRE-WRAP PIN	0088.4507.00	DUPONT	CON 75403-001/75401-001	
X15B	VL WIRE-WRAP PIN L=8,7 WIRE-WRAP PIN	0088.4507.00	DUPONT	CON 75403-001/75401-001	
X16A	VL WIRE-WRAP PIN L=8,7 WIRE-WRAP PIN	0088.4507.00	DUPONT	CON 75403-001/75401-001	
X16B	VL WIRE-WRAP PIN L=8,7 WIRE-WRAP PIN	0088.4507.00	DUPONT	CON 75403-001/75401-001	
X16C	VL WIRE-WRAP PIN L=8,7 WIRE-WRAP PIN	0088.4507.00	DUPONT	CON 75403-001/75401-001	
X60A	VL WIRE-WRAP PIN L=8,7 WIRE-WRAP PIN	0088.4507.00	DUPONT	CON 75403-001/75401-001	
X60B	VL WIRE-WRAP PIN L=8,7 WIRE-WRAP PIN	0088.4507.00	DUPONT	CON 75403-001/75401-001	
Z1 ..6	LD 10GHZ 50DB100V10A4RDX9 LEAD-THROUGH FILTER	LD 0451.4636.00	SPECTRUM	51-713-036	

MEZ15	790 3PLU	Äl	Datum Date	Schaltteilliste für Parts list for	Sachnummer Stock No.	Blatt-Nr. Page
	ROHDE & SCHWARZ	62	03.05.99	EE HF-OSZILLATOR RF OSCILLATOR	0801.5110.01 SA	17-



ROHDE & SCHWARZ

SERVICEUNTERLAGEN

Baugruppe Ausgangsstufe

843.4805.02

ENGLISH MANUAL FOLLOWS FIRST COLOURED DIVIDER

Inhaltsübersicht

	Seite
5 <u>Serviceanleitung Baugruppe "Ausgangsstufe"</u>	5.1
5.1 Funktionsbeschreibung	5.1
5.1.1 HF-Aufbereitung	5.1
5.1.2 Modulationssteuerung	5.2
5.1.3 Ansteuerung und Diagnoseschaltung	5.2
5.2 Prüfen und Abgleichen	5.4
5.2.1 Pegel-Abgleiche	5.4
5.2.2 Abgleich des Modulationsgrades	5.4
5.2.3 Funktionsprüfung der Baugruppe	5.5
5.3 Fehlersuche	5.6
5.3.1 DC-Arbeitspunkte der HF-Verstärker	5.6
5.3.2 DC-Schaltspannungen zur HF-Einstellung	5.6
5.3.3 HF-Prüfung	5.7
5.4 Schnittstellen	5.8
Schaltteillisten	
Stromläufe	
Bestückungspläne	

5.1 Funktionsbeschreibung

(Hierzu Stromlauf 843.4805 S und Bild 5-1)

Die von der Baugruppe "HF-Oszillator" erzeugten Frequenzen zwischen 500 MHz und 1000 MHz werden auf der Baugruppe "Ausgangsstufe" durch Verdopplung, Teilung und Mischung in den Frequenzbereich 0,1...2000 MHz umgesetzt. Der HF-Träger kann elektronisch gedämpft und amplitudenmoduliert werden.

5.1.1 HF-Aufbereitung

Über die Buchse X410 werden der Baugruppe Frequenzen von 500...1000 MHz zugeführt und verstärkt (V5). Mit den binär gestuften Teilerschritten 1:1, 1:2, 1:4, 1:8 und 1:16 kann die Eingangsfrequenz mit D35, D52 und D61 geteilt werden. Die Teilungsverhältnisse 1:8 und 1:16 werden durch Kaskadierung von jeweils zwei Teilern realisiert. Mit Diodenumschaltern kann der gewünschte Teilungsfaktor eingestellt werden.

Das Ausgangssignal der HF-Teiler wird im Verstärker N70 begrenzt und gelangt dann an den Pulsmodulator (V900...V903, N905, V910...V913). Der nachfolgende Pinmodulator besteht aus sechs Pindioden (V94, V95, V97, V98, V93 und V99). Über den Eingang (R97, L97) kann der HF-Pegel gesteuert werden (Stellglied der Pegelregelung, AM-Modulator).

Der nachfolgende zweistufige HF-Verstärker (V112, V133) weist eine Verstärkung von 10...12 dB auf.

Über ein Dämpfungsglied gelangt das Signal auf die Oberwellenfilter, welche in 10 Frequenzbereiche und den Mischerteil aufgeteilt sind. Die 10 Filterbereiche sind in Gruppen zu 2x vier und 1x zwei Filter aufgeteilt, welche durch Pindioden umgeschaltet werden.

Der Mischerteil wird mit Frequenzen zwischen 150,1 und 181,25 MHz angesteuert. Sie werden in einer Verstärkerstufe (V606) auf max. 2,82 V verstärkt. Dieser Pegel wird für die Meßstelle <8 MHz benötigt. Das Signal wird dann über Dämpfungsglieder auf den RF-Eingang des Mixers (U630) geführt. Das 150-MHz-LO-Signal gelangt von der Buchse X405 über eine Verstärkerstufe (V670) an den Mischer.

Das IF-Signal von 0,1...31,25 MHz wird verstärkt (V640, V641; Verstärkung mit R641 einstellbar) und auf den Ausgang X404 gegeben.

Der Verdoppler, bestehend aus T812 und den Dioden V813...V816, wird von dem Verstärker V810 mit der Grundoktave 500...1000 MHz angesteuert. Das verdoppelte Signal (1000...2000 MHz) wird mit dem Verstärker N820 verstärkt und auf den Pinmodulator gegeben. Der Pinmodulator (V824, V827, V828, V829, V834, V837, V838, V839) dient als Stellglied der Pegelregelung. Mit den nachfolgenden Verstärkern N860 und N870 wird das Signal auf den nötigen Ausgangspegel verstärkt.

Der HF-Pegel wird für Frequenzen < 8 MHz mit der Diode V616 gleichgerichtet und einem Umschalter N461 zugeleitet. Dieser schaltet bei 8 MHz zwischen der hochfrequenten Meßstelle, die auf den Eingang X401 führt, und der Meßstelle im Mischerteil um. Die jeweilige Gleichrichtspannung wird dann mit dem Führungswert verglichen. Der Regelverstärker N470 steuert den HF-Pegel über den Pinmodulator so nach, daß der HF-Gleichrichtwert dem Führungswert entspricht. Mit dem Umschalter N890 wird im Verdopplerbetrieb der niederfrequente Pinmodulator mit einer festen Vorspannung betrieben.

5.1.2 Modulationssteuerung

Dieser Schaltungsteil besteht im Wesentlichen aus einem Modulationsgradteiler für AM-Modulation und einem Pegelteiler für die elektronische Pegeleinstellung.

Von einer Referenzspannungsquelle (V515) wird eine DC-Spannung über den Verstärker N510 dem 10-Bit-D/A-Wandler D520 zugeführt, der die Spannung auf den gewünschten Führungswert teilt (Abgleich mit R514).

Über X1.A31 wird die AM-Modulationsfrequenz zugeführt und verstärkt (N500). Ein 8-Bit-D/A-Wandler teilt die NF-Spannung auf den gewünschten Modulationsgrad. Mit R503 wird der Modulationsgrad abgeglichen. Die AC-Spannung wird an N510 zu dem DC-Führungswert addiert.

5.1.3 Ansteuerung und Diagnoseschaltung

Die Baugruppe wird über einen seriellen Datenbus angesteuert. Die Daten für die HF-Einstellung und die Modulationssteuerung werden in insgesamt 5 Latchbausteine eingelesen. Zwei verschiedene "Strobes" unterscheiden die Daten für HF-Einstellung (X1.A6) und Modulationssteuerung (X1.A25).

8 verschiedene Diagnosestellen (DC-Werte) können über den Multiplexerbaustein (D560) auf den Ausgang X1.A23 geführt werden.

Die Überwachung der Pegelregelschleife wird mit dem Komparator N150 durchgeführt. Er schaltet den Ausgang X1.A3 von +5 V auf 0 V, wenn die Pegelregelung ausgefallen ist.

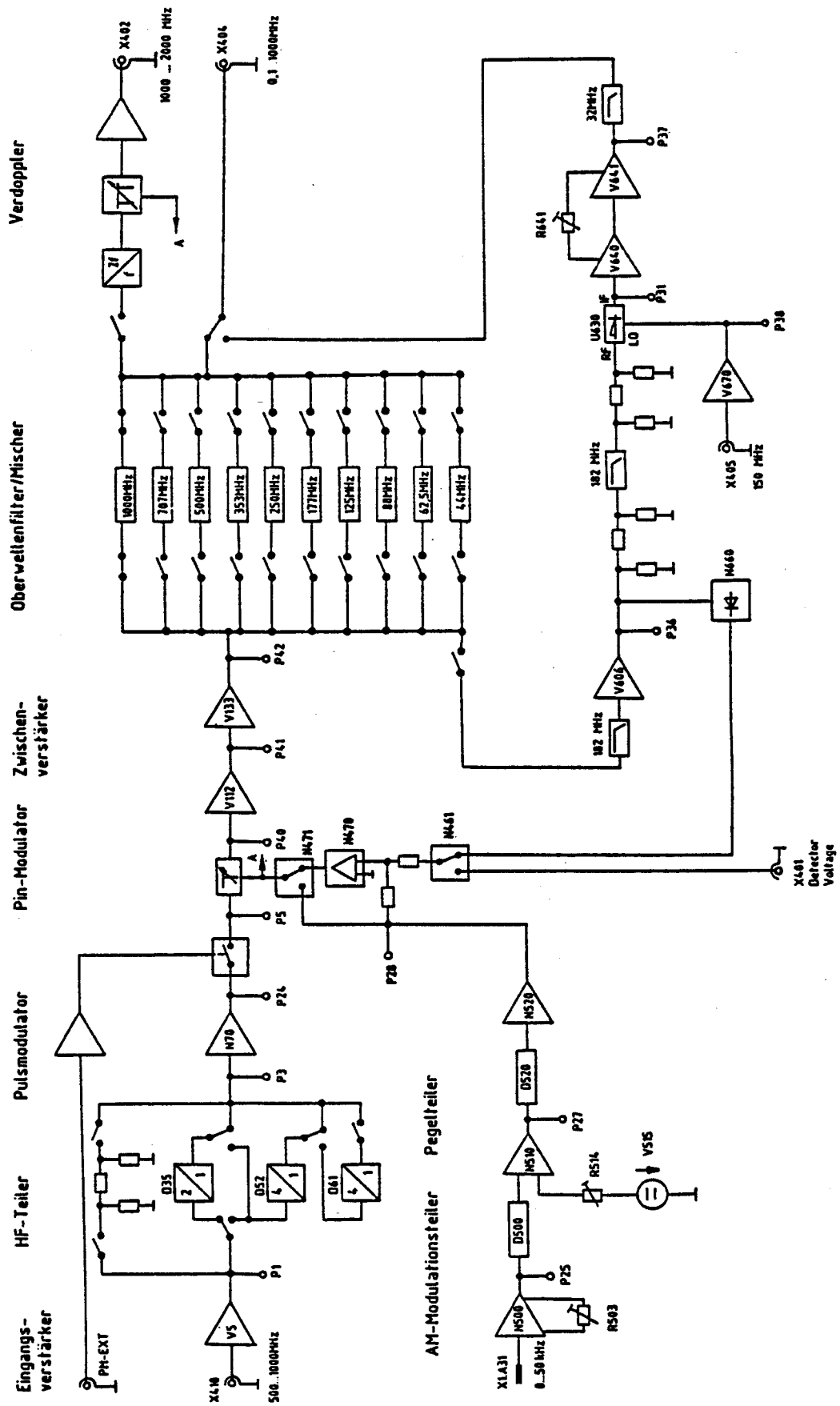


Bild 5-1 Blockschaltbild der Ausgangsstufe

5.2 Prüfen und Abgleichen

- Die Baugruppe auf den Serviceadapter setzen.
- An Buchse RF1 einen HF-Leistungsmesser anschließen.

5.2.1 Pegel-Abgleiche

a) Pegelabgleich für RF >8 MHz

- Einstellung am Gerät: RF = 100 MHz, Pegel = 0 dBm
- Mit Trimmer R514 den Pegel auf 0 dBm $\pm 0,1$ dB einstellen

b) Offsetabgleich für RF < 8MHz

- Einstellung am Gerät: RF = 7,9 MHz, Pegel = 13 dBm
- Spezialfunktion 53 einschalten und den Pegel notieren
- Spezialfunktion 54 einschalten und mit dem Trimmer R663 eine Dämpfung von 25 dB $\pm 0,2$ dB einstellen.

c) Pegelabgleich für RF <8 MHz

- Einstellung am Gerät: Pegel = 0 dBm
- Pegel bei RF = 8 MHz messen und bei 7,999 MHz mit R641 den gleichen Wert ($\pm 0,1$ dB) einstellen.

5.2.2 Abgleich des Modulationsgrades

- Trägerfrequenz 100 MHz und einen Pegel von +0 dBm einstellen.
- Modulationsgrad auf 80 % bei 1 kHz Modulationsfrequenz einstellen.
- An Buchse RF1 ein Modulationsgradmeßgerät anschließen und mit R503 auf 80 % $\pm 0,1$ % abgleichen.

5.2.3 Funktionsprüfung der Baugruppe

Bei einem Ausgangspegel von -7 dBm und -17 dBm (-17 dBm mit 10 dB Feinvariation) den gesamten Frequenzbereich durchstimmen (z.B. über IEC-Bus) und die Regelspannung der Pegelregelung (Spezialfunktion 128) nach Tabelle 5-2 prüfen.

Tabelle 5-2

Frequenzbereich	Regelspannung der Pegelregelung	
	bei -7 dBm	bei -17 dBm
0,1... 999 MHz	-2,2...-0,5 V	-3,0...-1,5 V
1000...2000 MHz	-1,5...-0,3 V	-1,8...-0,9 V

- Einen RF-Pegel von +13 dBm einstellen und die Oberwellen im gesamten Frequenzbereich prüfen, sie müssen <-30 dBc sein.
- An Buchse RF1 einen AM-Modulationsanalysator anschließen.
- Mit +7 dBm RF-Pegel und 80 % AM den Klirrfaktor prüfen. Bei einer Modulationsfrequenz von 1 kHz soll der Klirrfaktor <2 % sein. (Bei Abweichung vom jeweiligen Toleranzbereich siehe Abschnitt 5.3 Fehlersuche.)

5.3 Fehlersuche

5.3.1 DC-Arbeitspunkte der HF-Verstärker

- Den Federdeckel auf der Leiterseite abschrauben und die Baugruppe über das Serviceadapterkabel anschließen.
- 1000 MHz einstellen und die Buchsen X410 und X405 mit 50 Ω abschließen. DC-Spannungen nach Tabelle 5-3 kontrollieren:

Tabelle 5-3

Transistor	Kollektorspannung		Bemerkung
V5	+5,3 V	±0,5 V	Eingangsverstärker
N905	+5,1 V	±0,5 V	Verst. vor Pin-Modulator
V112	+4,4 V	±0,5 V	Verst. nach Pin-Modulator
V133	+5,5 V	±0,5 V	Verst. nach Pin-Modulator
V810	+6,7 V	±0,5 V	Verst. vor Verdoppler
N820	+4,5 V	±0,5 V	Verst. nach Verdoppler
N830	+4,5 V	±0,5 V	Verst. nach Verdoppler
N860	+4,5 V	±0,5 V	Verst. nach Verdoppler
N870	+4,5 V	±0,5 V	Verst. nach Verdoppler
V606	+5,7 V	±0,5 V	Mischerteil: RF-Verstärker
V640	+9,4 V	±0,5 V	Mischerteil: IF-Verstärker
V641	+8,7 V	±0,5 V	Mischerteil: IF-Verstärker
V670	+9,3 V	±0,5 V	Mischerteil: LO-Verstärker

5.3.2 DC-Schaltspannungen zur HF-Einstellung

- An P29 +1,8 V (±0,2 V) prüfen.
- Weitere Prüfungen nach Tabelle 5-4.

Tabelle 5-4

Träger- frequenz (MHz)	An Meßpunkten DC-Spannung prüfen (Werte in V, ±1,5 V)																
	P8	P9	P10	P11	P12	P13	P14	P15	P16	P17	P18	P19	P20	P21	P22	P23	Anode V51
1000	-13	+12	+13	+13	+12	+12	-11	+13	-14	-15	-12	+12	-14	-15	-14	-15	+5
700	-13	+12	+13	+13	+12	-11	+12	+13	-14	-15	-12	+12	-14	-15	-14	-15	+5
350	+12	-14	+13	+13	-14	-11	-11	+13	-14	+12	+12	-9	-14	-15	-14	+8	+5
300	+12	-14	+13	+13	-14	-11	-11	+13	-14	+12	-9	+12	-14	-15	-14	+8	+5
200	+12	+12	+13	-14	+12	-11	-11	+13	-14	+12	+12	-9	-14	-15	+7	-15	0
150	+12	+12	+13	-14	+12	-11	-11	+13	-14	+12	-9	+12	-14	-15	+7	-15	0
100	+12	-14	+13	-14	+12	-11	-11	+13	+12	+12	+12	-9	-14	+7	-14	-15	0
70	+12	-14	+13	-14	+12	-11	-11	+13	+12	+12	+12	-9	-14	+7	-14	-15	0
50	+12	+12	-14	+12	+12	-11	-11	+13	+12	+12	+12	-9	+7	-15	-14	-15	0
40	+12	+12	-14	+12	+12	-11	-11	+13	+12	+12	-9	+12	+7	-15	-14	-15	0
30	+12	+12	+12	-14	+12	-11	-11	-14	+12	+12	-9	+12	-9	-14	-15	+7	-15
1	+12	+12	+12	-14	+12	-11	-11	-14	+12	+12	+12	-9	-14	-15	+7	-15	0

5.3.3 HF-Prüfung

Die HF-Verbindungen der Baugruppe sind über Subminaxkabel herzustellen. Es empfiehlt sich, mit einem hochohmigen Tastkopf zu prüfen, welcher z.B. eine Durchlaßdämpfung von 20 dB aufweist. Die folgenden Pegelangaben sind die an 50 Ω gemessenen Werte + Dämpfung des Tastkopfs.

Bei -7 dBm sind im geregelten Betrieb der Baugruppe die HF-Pegel an den Meßpunkten nach Tabelle 5-5 zu überprüfen.

Tabelle 5-5

Träger- frequenz (MHz)	An Meßpunkten HF-Pegel (Werte in dBm, ± 3 dB)											Bemerkung
	P1	P3	P24	P5	P40	P41	P42	P36	P31	P37	P38	
1500	+6	0	+4	+10	+1	+11	+14	-	-	-	-	Verdoppler Grundbereich Teilung 1:2 Teilung 1:4 Teilung 1:8 Teilung 1:16 Mischerteil
999	+6	0	+5	+11	-1	+10	+12	-	-	-	-	
499	+6	-4	+3	+9	-6	+6	+10	-	-	-	-	
249	+6	-4	+2	+10	-9	+1	+5	-	-	-	-	
124	+6	-3	+1	+11	-9	+1	+5	-	-	-	-	
62	+6	-3	+5	+11	-8	+1	+6	-	-	-	-	
31	+6	-3	+1	+11	-4	+5	+10	+20	-10	0	+8	

5.4 Schnittstellen

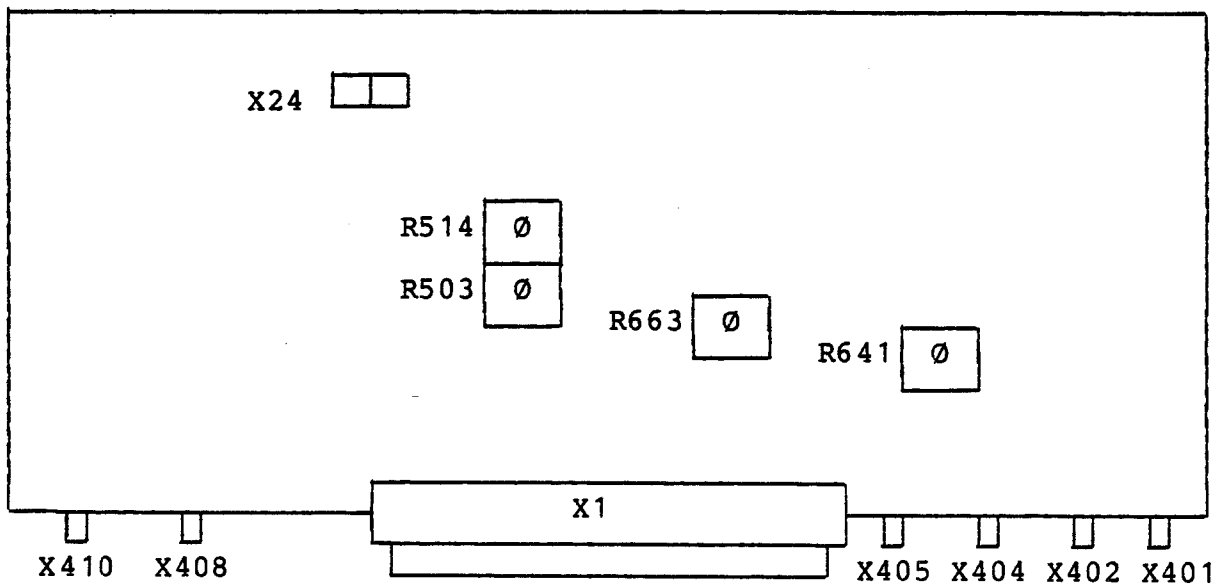


Bild 5-2 Anordnung der Ein-/Ausgänge und der Abgleichelemente

Analoge Schnittstellen

Bezeichnung	Funktion	Frequenz	Pegel
X410	HF-Eingang	500...1000 MHz	0 dBm
X408	PM-EXT-Eingang	DC...1 MHz	TTL
X405	HF-Eingang	150 MHz	0 dBm
X404	HF-Ausgang	0,1...1000 MHz	+2 dBm
X402	HF-Ausgang	1000...2000 MHz	+5 dBm
X401	HF-Meßstelle	DC	0...4 V
X1.A23	Diagnoseausgang	DC	0...4 V
X1.A31	Modulationseingang	DC...50 kHz	1 V

Digitale Schnittstellen (C-MOS)

Bezeichnung	Funktion	Bemerkung
X1.A8	Dateneingang	seriell
X1.A10	Clock	
X1.A6	Strobe	für HF-Einstellung
X1.A25	Strobe	für Modulationssteuerung/Diagnose
X1.A3	Loop Control	für Pegelregelung

Versorgungsspannungen

Bezeichnung	Spannung
X1.A12,A13	+5 V
X1.A15	+24 V
X1.A17	+15 V
X1.A19	-15 V
X1.A2,A7,A11,A14,A16, A18,A20,A30,A32	Masse



ROHDE & SCHWARZ

SERVICE DOCUMENTS

Output Stage Module

843.4805.02

Contents

	Page
5	Service Manual for Output Stage Module 5.1
5.1	Function Description 5.1
5.1.1	RF Conditioning 5.1
5.1.2	Modulation Control 5.2
5.1.3	Control and Diagnostic Circuit 5.2
5.2	Checking and Adjustments 5.4
5.2.1	Level Adjustments 5.4
5.2.2	Adjustment of Modulation Depth 5.4
5.2.3	Function Test of Module 5.5
5.3	Troubleshooting 5.6
5.3.1	DC Working Points of RF Amplifier 5.6
5.3.2	DC Switching Voltages for RF Setting 5.6
5.3.3	RF Test 5.7
5.4	Interfaces 5.8
	Component lists
	Circuit diagrams
	Component layout diagrams

5.1 Function Description

(See circuit diagram 843.4805 S and Fig. 5-1)

The frequencies between 500 MHz and 1000 MHz generated by the RF oscillator module are converted on the output stage module into the frequency range 0.1 to 2000 MHz by doubling, dividing and mixing. The RF carrier can be electronically attenuated and amplitude modulated.

5.1.1 RF Conditioning

Frequencies between 500 and 1000 MHz are applied to the module via connector X410 and amplified (V5). The input frequency can be divided using D35, D52 and D61 in binary steps of 1:1, 1:2, 1:4, 1:8 and 1:16. The ratios 1:8 and 1:16 are implemented by cascading two dividers. The required factor can be set using diode selectors.

The output signal from the RF divider is limited in the amplifier N70 and is then applied to the pulse modulator (V900 to V903, N905, V910 to V913). The following PIN modulator consists of six PIN diodes (V94, V95, V97, V98, V93 and V99). The RF level can be controlled via the input (R97, L97) (control element of level controller, AM modulator).

The following two-stage RF amplifier (V112, V133) has a gain of 10 to 12 dB.

The signal is applied via an attenuator to the harmonics filters which are divided into 10 frequency ranges and the mixer. The 10 filter ranges are divided into groups of 2 x four filters and 1 x two filters which can be switched over using PIN diodes.

The mixer is controlled by frequencies between 150.1 and 181.25 MHz. These are amplified by V606 to a maximum of 2.82 V. This level is required for the channel <8 MHz. The signal is then applied to the RF input of the mixer (U630) via attenuators. The 150 MHz LO signal is applied from connector X405 via an amplifier stage (V670) to the mixer.

The IF signal of 0.1 to 31.25 MHz is amplified (V640, V641; gain adjustable using R641) and applied to output X404.

The doubler, consisting of T812 and the diodes V813 to V816, is driven by amplifier V810 with the fundamental octave 500 to 1000 MHz. The doubled signal (1000 to 2000 MHz) is amplified in amplifier N820 and applied to the pin modulator. The pin modulator (V824, V827, V828, V829, V834, V837, V838, V839) is used as control element of the level controller. The subsequent amplifiers N860 and N870 amplify the signal to the necessary output level.

For frequencies <8 MHz, the RF level is rectified using diode V616 and applied to changeover switch N461. At 8 MHz, this switch switches between the high-frequency channel leading to input X401 and the channel in the mixer. The respective rectified voltage is then compared with the reference value. The control amplifier N470 controls the RF level via the pin modulator such that the rectified RF value corresponds to the reference value. The control loop can be opened up using the changeover switch and the RF level can then be controlled via the modulation controller. Using changeover switch N890, the low-frequency pin modulator is operated with a fixed bias voltage in doubler mode.

5.1.2 Modulation Control

This part of the circuit basically consists of a modulation depth divider for amplitude modulation and a level divider for the electronic level setting.

A DC voltage is applied to the 10-bit D/A converter from a reference voltage source (V515) via amplifier N510 and divided into the required reference value (adjustment using R514).

The AM modulation frequency is applied via X1.A31 and amplified (N500). An 8-bit D/A converter divides the AF voltage to the required modulation depth. The modulation depth is adjusted using R503. The AC voltage is added at N510 to the DC reference value.

5.1.3 Control and Diagnostic Circuit

The subassembly is triggered via a serial data bus. The data for the RF setting and the modulation control are read into a total of 5 latches. Two different strobes differentiate the data for the RF setting (X1.A6) and the modulation control (X1.A5).

Eight different diagnostic positions (DC values) can be connected to output X1.A23 via the multiplexer IC (D560).

The level control loop is monitored by comparator N150. This switches the output X1.A3 from +5 V to 0 V if the level control has failed.

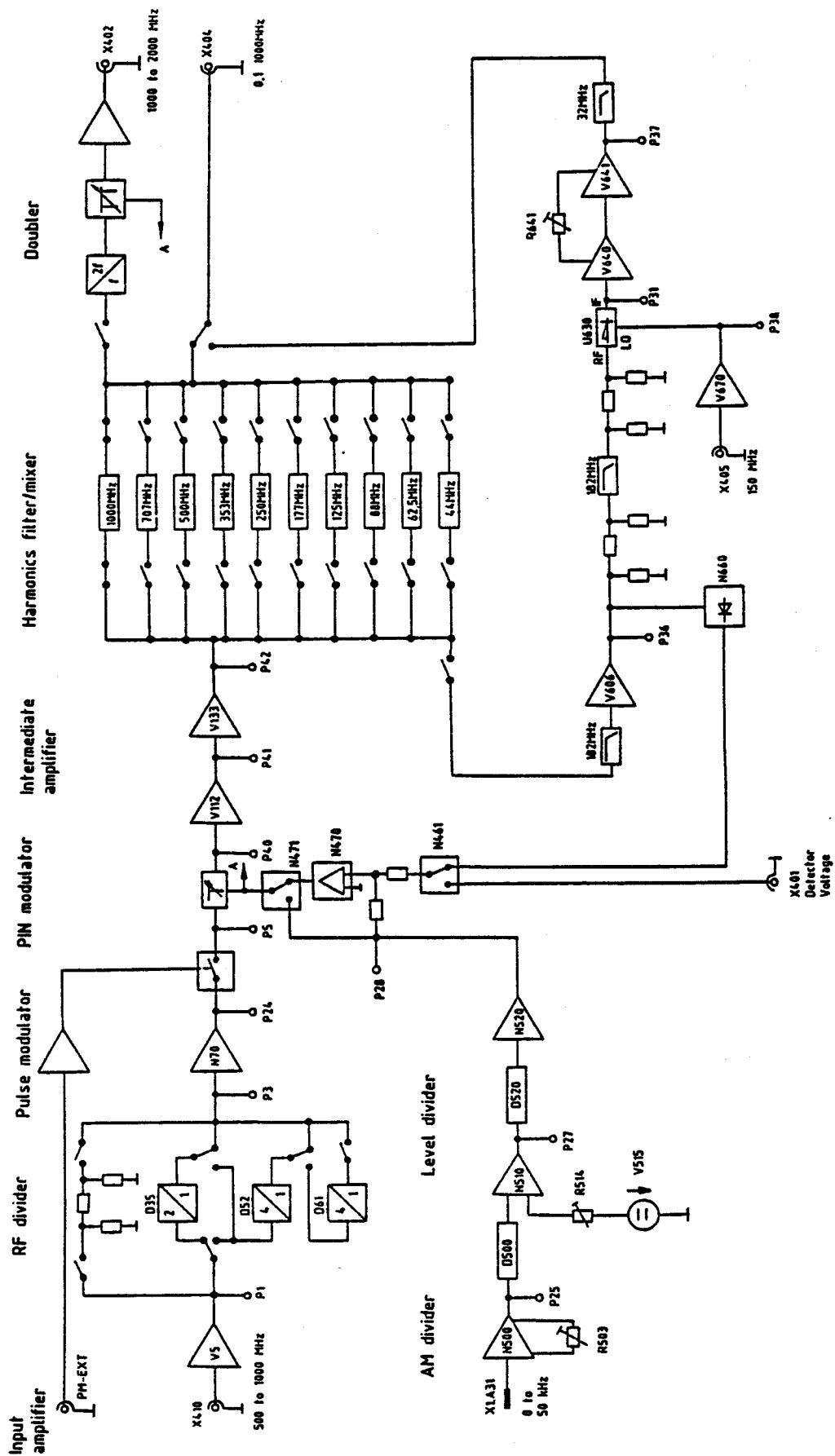


Fig. 5-1 Block diagram of output stage

5.2 Checking and Adjustments

- Connect the module to the service adapter.
- Connect an RF power meter to RF1.

5.2.1 Level Adjustments

a) Level adjustment for RF >8 MHz

- SMH setting : RF = 100 MHz, level = 0 dBm
- Adjust the level to 0 dBm ± 0.1 dB using trimmer R514.

b) Offset adjustment for RF <8 MHz

- SMH setting: RF = 7.9 MHz, level = 13 dBm
- Switch on special function 53 and note the level.
- Switch on special function 54 and set an attenuation of 25 dB ± 0.2 dB using trimmer R663.

c) Level adjustment for RF < 8 MHz

- SMH setting: level = 0 dBm
- Measure level at RF = 8 MHz and adjust to the same value (± 0.1 dB) at 7.999 MHz using R641.

5.2.2 Adjustment of Modulation Depth

- Set carrier frequency of 100 MHz and a level of 0 dBm.
- Set modulation depth to 80% with a modulation frequency of 1 kHz.
- Connect a modulation depth analyzer to connector RF1 and adjust to 80% $\pm 0.1\%$ using R503.

5.2.3 Function Test of Module

- Sweep through the complete frequency range (e.g. via IEC bus) with an output level of -7 dBm and -17 dBm (-17 dBm with 10 dB fine variation) and check the respective control voltage (special function 128) according to Table 5-2.

Table 5-2

Frequency range	Control voltage of level controller	
	At -7 dBm	At -17 dBm
0.1 to 999 MHz	-2.2 to -0.5 V	-3.0 to -1.5 V
1000 to 2000 MHz	-1.5 to -0.3 V	-1.8 to -0.9 V

- Set an RF level of +13 dBm and check the harmonics in the complete frequency range; they must be <-30 dBc.
- Connect an AM analyzer to RF1.
- Check the distortion with an RF level of +7 dBm and 80 % AM. The distortion should be <2% at a modulation frequency of 1 kHz. (See section 5.3, Troubleshooting, if the value is outside the tolerance.)

5.3 Troubleshooting

5.3.1 DC Working Points of RF Amplifier

- Unscrew the spring cover from the printed side and connect the module via the service adapter cable.
- Set 1000 MHz and terminate connectors X410 and X405 with 50 Ω. Check the DC voltages according to Table 5-3:

Table 5-3

Transistor	Collector voltage		Remarks
V5	+5.3 V	±0.5 V	Input amplifier
N905	+5.1 V	±0.5 V	Ampl. before PIN modulator
V112	+4.4 V	±0.5 V	Ampl. after PIN modulator
V133	+5.5 V	±0.5 V	Ampl. after PIN modulator
V810	+6.7 V	±0.5 V	Ampl. before doubler
N820	+4.5 V	±0.5 V	Ampl. after doubler
N830	+4.5 V	±0.5 V	Ampl. after doubler
N860	+4.5 V	±0.5 V	Ampl. after doubler
N870	+4.5 V	±0.5 V	Ampl. after doubler
V606	+5.7 V	±0.5 V	Mixer section: RF amplifier
V640	+9.4 V	±0.5 V	Mixer section: IF amplifier
V641	+8.7 V	±0.5 V	Mixer section: IF amplifier
V670	+9.3 V	±0.5 V	Mixer section: LO amplifier

5.3.2 DC Switching Voltages for RF Setting

- Check whether +1.8 V (±0.2 V) is present at P29.
- Further tests as in Table 5-4.

Table 5-4

Carrier frequency (MHz)	Check DC voltage at test points (values in V, ±1.5 V)																Anode V51
	P8	P9	P10	P11	P12	P13	P14	P15	P16	P17	P18	P19	P20	P21	P22	P23	
1000	-13	+12	+13	+13	+12	+12	-11	+13	-14	-15	-12	+12	-14	-15	-14	-15	+5
700	-13	+12	+13	+13	+12	-11	+12	+13	-14	-15	-12	+12	-14	-15	-14	-15	+5
350	+12	-14	+13	+13	-14	-11	-11	+13	-14	+12	+12	-9	-14	-15	-14	+8	+5
300	+12	-14	+13	+13	-14	-11	-11	+13	-14	+12	-9	+12	-14	-15	-14	+8	+5
200	+12	+12	+13	-14	+12	-11	-11	+13	-14	+12	+12	-9	-14	-15	+7	-15	0
150	+12	+12	+13	-14	+12	-11	-11	+13	-14	+12	-9	+12	-14	-15	+7	-15	0
100	+12	-14	+13	-14	+12	-11	-11	+13	+12	+12	+12	-9	-14	+7	-14	-15	0
70	+12	-14	+13	-14	+12	-11	-11	+13	+12	+12	-9	+12	-14	+7	-14	-15	0
50	+12	+12	-14	+12	+12	-11	-11	+13	+12	+12	+12	-9	+7	-15	-14	-15	0
40	+12	+12	-14	+12	+12	-11	-11	+13	+12	+12	-9	+12	+7	-15	-14	-15	0
30	+12	+12	+12	-14	+12	-11	-11	-14	+12	+12	+12	-9	-14	-15	+7	-15	0
1	+12	+12	+12	-14	+12	-11	-11	-14	+12	+12	+12	-9	-14	-15	+7	-15	0

5.3.3 RF Test

The RF connections to the module must be made using subminax cables. It is recommendable to use a high-impedance probe to test e.g. which has an insertion loss of 20 dB. The following levels are the values measured at 50 Ω plus attenuation of probe.

The RF levels should be tested at the test points according to Table 5-5 at -7 dBm with the module under ALC.

Table 5-5

Carrier frequency (MHz)	Check RF level at test points (values in dBm, ± 3 dB)											Remarks
	P1	P3	P24	P5	P40	P41	P42	P36	P31	P37	P38	
1500	+6	0	+4	+10	+1	+11	+14	-	-	-	-	Doubler
999	+6	0	+5	+11	-1	+10	+12	-	-	-	-	Basic range
499	+6	-4	+3	+9	-6	+6	+10	-	-	-	-	Divider 1:2
249	+6	-4	+2	+10	-9	+1	+5	-	-	-	-	Divider 1:4
124	+6	-3	+1	+11	-9	+1	+5	-	-	-	-	Divider 1:8
62	+6	-3	+5	+11	-8	+1	+6	-	-	-	-	Divider 1:16
31	+6	-3	+1	+11	-4	+5	+10	+20	-10	0	+8	Mixer section

5.4 Interfaces

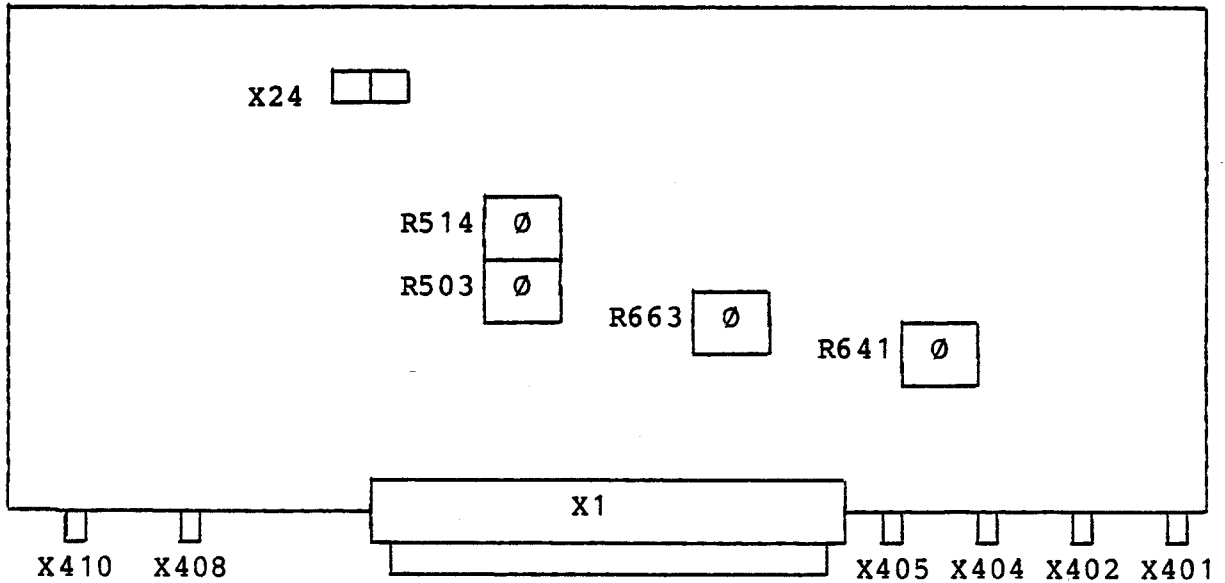


Fig. 5-2 Layout of inputs/outputs and adjusting elements

Analog interfaces

Designation	Function	Frequency	Level
X410	RF input	500 to 1000 MHz	0 dBm
X408	PM-EXT input	DC up to 1 MHz	TTL
X405	RF input	150 MHz	0 dBm
X404	RF output	0.1 to 1000 MHz	+2 dBm
X402	RF output	1000 to 2000 MHz	+5 dBm
X401	RF channel	DC	0 to 4 V
X1.A23	Diagnostic output	DC	0 to 4 V
X1.A31	Modulation input	DC up to 50 kHz	1 V

Digital interfaces (CMOS)

Designation	Function	Remarks
X1.A8	Data input	Serial
X1.A10	Clock	
X1.A6	Strobe	For RF setting
X1.A25	Strobe	For modulation control/diagnosis
X1.A3	Loop control	For level control


Supply voltages

Designation	Voltage
X1.A12,A13	+5 V
X1.A15	+24 V
X1.A17	+15 V
X1.A19	-15 V
X1.A2,A7,A11,A14,A16, A18,A20,A30,A32	Ground

Schaltteillisten
Stromläufe
Bestückungspläne
Part lists
Circuit diagrams
Components plans
Listes des pièces détachées
Schémas de Circuit
Plans des composants

Für diese Unterlage behalten wir uns alle Rechte vor.


Kennz. Comp. No.	Benennung Designation	Sachnummer Stock No.	Hersteller Manufacturer	Bezeichnung Designation	enthalten in contained in
C1	CC 680PF+-10%50VX7R 1206 CERAMIC CHIP CAPACITOR	CC 0099.8421.00	MURATA	GRM42-6 X7R681K50PT	
C2	CC 3,9PF+-0,25 50VNP01206 CERAMIC CHIP CAPACITOR	CC 0007.8207.00	MURATA	GRM42-6COG 3R9 C50PT	
C3	CC 680PF+-10%50VX7R 1206 CERAMIC CHIP CAPACITOR	CC 0099.8421.00	MURATA	GRM42-6 X7R681K50PT	
C5	CC 680PF+-10%50VX7R 1206 CERAMIC CHIP CAPACITOR	CC 0099.8421.00	MURATA	GRM42-6 X7R681K50PT	
C7	CC 47PF+-1%50V COG 1206 CERAMIC CHIP CAPACITOR	CC 0099.8496.00	MURATA	GRM42-6COG 470F50ZPT	
C8	CC 1NF+-10%50VX7R 1206 CERAMIC CHIP CAPACITOR	CC 0099.8438.00	MURATA	GRM42-6 X7R 102 K50	
C20	CK 100NF+-5%63VRD2,5H7MKT CAPACITOR	CK 0099.2930.00	SIEMENS	B 32 529-C104-J	
C23	CC 10NF-20+50%7X8R4000 CAPACITOR	CC 0087.7525.00	VALVO	2222 640 51103	
C24	CC 1,5NF+-10%4X5R2000 CAPACITOR	CC 0087.7048.00	DRALORIC	EDPU 4X5	
C31	CC 2,7PF+-0,25 50VNP01206 CERAMIC CHIP CAPACITOR	CC 0007.8188.00	MURATA	GRM42-6COG 2R7 C50PT	
C32	CC 1NF+-10%50VX7R 1206 CERAMIC CHIP CAPACITOR	CC 0099.8438.00	MURATA	GRM42-6 X7R 102 K50	
C33	CC 1NF+-10%63V K2000 CERAMIC CAPACITOR	CC 0022.0784.00	PHILIPS_CO	2222 630	
C34	CC 1NF+-10%50VX7R 1206 CERAMIC CHIP CAPACITOR	CC 0099.8438.00	MURATA	GRM42-6 X7R 102 K50	
C35	CC 1NF+-10%63V K2000 CERAMIC CAPACITOR	CC 0022.0784.00	PHILIPS_CO	2222 630	
C38	CC 1NF+-10%50VX7R 1206 CERAMIC CHIP CAPACITOR	CC 0099.8438.00	MURATA	GRM42-6 X7R 102 K50	
C39	CC 1NF+-10%50VX7R 1206 CERAMIC CHIP CAPACITOR	CC 0099.8438.00	MURATA	GRM42-6 X7R 102 K50	
C40	CC 1NF+-10%63V K2000 CERAMIC CAPACITOR	CC 0022.0784.00	PHILIPS_CO	2222 630	
C41	CC 1NF+-10%50VX7R 1206 CERAMIC CHIP CAPACITOR	CC 0099.8438.00	MURATA	GRM42-6 X7R 102 K50	
C42	CC 56PF+-1%50V NPO 1206 CERAMIC CHIP CAPACITOR	CC 0099.8809.00	MURATA	GRM42-6COG 560F50ZPT	
C48	CC 18PF+-1% 50V NPO 1206 CERAMIC CHIP CAPACITOR	CC 0099.8767.00	MURATA	GRM42-6COG 180F50ZPT	
C49	CC 10PF+-0,25 50VNP0 1206 CERAMIC CHIP CAPACITOR	CC 0099.8480.00	MURATA	GRM42-6COG 100 C50PT	
C50	CC 1NF+-10%50VX7R 1206 CERAMIC CHIP CAPACITOR	CC 0099.8438.00	MURATA	GRM42-6 X7R 102 K50	
C51	CC 1NF+-10%50VX7R 1206 CERAMIC CHIP CAPACITOR	CC 0099.8438.00	MURATA	GRM42-6 X7R 102 K50	
C52	CC 1NF+-10%63V K2000 CERAMIC CAPACITOR	CC 0022.0784.00	PHILIPS_CO	2222 630	
C53	CC 1NF+-10%50VX7R 1206 CERAMIC CHIP CAPACITOR	CC 0099.8438.00	MURATA	GRM42-6 X7R 102 K50	
C55	CC 1NF+-10%50VX7R 1206 CERAMIC CHIP CAPACITOR	CC 0099.8438.00	MURATA	GRM42-6 X7R 102 K50	
C56	CC 1NF+-10%50VX7R 1206 CERAMIC CHIP CAPACITOR	CC 0099.8438.00	MURATA	GRM42-6 X7R 102 K50	
C57	CC 1NF+-10%63V K2000 CERAMIC CAPACITOR	CC 0022.0784.00	PHILIPS_CO	2222 630	
C58	CC 1NF+-10%50VX7R 1206 CERAMIC CHIP CAPACITOR	CC 0099.8438.00	MURATA	GRM42-6 X7R 102 K50	
C59	CC 1NF+-10%50VX7R 1206 CERAMIC CHIP CAPACITOR	CC 0099.8438.00	MURATA	GRM42-6 X7R 102 K50	
C60	CC 1NF+-10%63V K2000 CERAMIC CAPACITOR	CC 0022.0784.00	PHILIPS_CO	2222 630	
C61	CC 1NF+-10%63V K2000 CERAMIC CAPACITOR	CC 0022.0784.00	PHILIPS_CO	2222 630	
C62	CC 1NF+-10%50VX7R 1206 CERAMIC CHIP CAPACITOR	CC 0099.8438.00	MURATA	GRM42-6 X7R 102 K50	
C63	CC 1NF+-10%50VX7R 1206 CERAMIC CHIP CAPACITOR	CC 0099.8438.00	MURATA	GRM42-6 X7R 102 K50	
C64	CC 4,7NF+-10%50VX7R 1206 CERAMIC CHIP CAPACITOR	CC 0099.8450.00	AVX	1206 5 C 472 KA 3	
C65	CC 1NF+-10%63V K2000 CERAMIC CAPACITOR	CC 0022.0784.00	PHILIPS_CO	2222 630	
C67	CC 1NF+-10%50VX7R 1206 CERAMIC CHIP CAPACITOR	CC 0099.8438.00	MURATA	GRM42-6 X7R 102 K50	
C68	CC 1NF+-10%50VX7R 1206 CERAMIC CHIP CAPACITOR	CC 0099.8438.00	MURATA	GRM42-6 X7R 102 K50	
C69	CC 680PF+-10%50VX7R 1206 CERAMIC CHIP CAPACITOR	CC 0099.8421.00	MURATA	GRM42-6 X7R681K50PT	
C70	CC 18PF+-1% 50V NPO 1206 CERAMIC CHIP CAPACITOR	CC 0099.8767.00	MURATA	GRM42-6COG 180F50ZPT	

MEZ15	790 3PLU	Äl	Datum Date	Schaltteilliste für Parts list for	Sachnummer Stock No.	Blatt-Nr. Page
		17	03.05.99	ED AUSGANGSSTUFE 2GHZ OUTPUT-STAGE 2GHZ	0843.4805.01 SA	1+

095.0026-0693

wir uns alle Rechte vor.


Kennz. Comp. No.	Benennung Designation	Sachnummer Stock No.	Hersteller Manufacturer	Bezeichnung Designation	enthalten in contained in
C71	CC 10NF-20+50%7X8R4000 CAPACITOR	CC 0087.7525.00	VALVO	2222 640 51103	
C72	CC 680PF+-10%50VX7R 1206 CERAMIC CHIP CAPACITOR	CC 0099.8421.00	MURATA	GRM42-6 X7R681K50PT	
C74	CC 47PF+-1%50V COG 1206 CERAMIC CHIP CAPACITOR	CC 0099.8496.00	MURATA	GRM42-6COG 470F50ZPT	
C75	CC 10NF-20+50%7X8R4000 CAPACITOR	CC 0087.7525.00	VALVO	2222 640 51103	
C76	CC 680PF+-10%50VX7R 1206 CERAMIC CHIP CAPACITOR	CC 0099.8421.00	MURATA	GRM42-6 X7R681K50PT	
C77	CC 18PF+-1% 50V NPO 1206 CERAMIC CHIP CAPACITOR	CC 0099.8767.00	MURATA	GRM42-6COG 180F50ZPT	
C78	CC 100PF+-1%50V NPO 1206 CERAMIC CHIP CAPACITOR	CC 0099.8415.00	MURATA	GRM42-6COG 101F50ZPT	
C88	CC 150PF+-1%50V NPO 1206 CERAMIC CHIP CAPACITOR	CC 0099.8509.00	MURATA	GRM42-6COG 151F 50PT	
C93	CC 150PF+-1%50V NPO 1206 CERAMIC CHIP CAPACITOR	CC 0099.8509.00	MURATA	GRM42-6COG 151F 50PT	
C94	CC 10NF+-10%50V X7R 1206 CERAMIC CHIP CAPACITOR	CC 0099.8521.00	MURATA	GRM42-6X7R103K 50PT	
C97	CC 18PF+-1% 50V NPO 1206 CERAMIC CHIP CAPACITOR	CC 0099.8767.00	MURATA	GRM42-6COG 180F50ZPT	
C98	CC 150PF+-1%50V NPO 1206 CERAMIC CHIP CAPACITOR	CC 0099.8509.00	MURATA	GRM42-6COG 151F 50PT	
C99	CC 150PF+-1%50V NPO 1206 CERAMIC CHIP CAPACITOR	CC 0099.8509.00	MURATA	GRM42-6COG 151F 50PT	
C100	CC 10NF+-10%50V X7R 1206 CERAMIC CHIP CAPACITOR	CC 0099.8521.00	MURATA	GRM42-6X7R103K 50PT	
C101	CC 330PF+-1%50V NPO 1206 CERAMIC CHIP CAPACITOR	CC 0099.8873.00	AVX	1206 5A 331 F 3	
C112	CC 2,7PF+-0,25 50V NPO1206 CERAMIC CHIP CAPACITOR	CC 0007.8188.00	MURATA	GRM42-6COG 2R7 C50PT	
C113	CC 680PF+-10%50VX7R 1206 CERAMIC CHIP CAPACITOR	CC 0099.8421.00	MURATA	GRM42-6 X7R681K50PT	
C115	CC 1,5NF+-10%4X5R2000 CAPACITOR	CC 0087.7048.00	DRALORIC	EDPU 4X5	
C116	CC 10NF-20+50%7X8R4000 CAPACITOR	CC 0087.7525.00	VALVO	2222 640 51103	
C117	CK 100NF+-5%63VRD2,5H7MKT CAPACITOR	CK 0099.2930.00	SIEMENS	B 32 529-C104-J	
C118	CC 56PF+-1%50V NPO 1206 CERAMIC CHIP CAPACITOR	CC 0099.8809.00	MURATA	GRM42-6COG 560F50ZPT	
C130	CC 1NF+-10%50VX7R 1206 CERAMIC CHIP CAPACITOR	CC 0099.8438.00	MURATA	GRM42-6 X7R 102 K50	
C131	CK 100NF+-5%63VRD2,5H7MKT CAPACITOR	CK 0099.2930.00	SIEMENS	B 32 529-C104-J	
C133	CC 1NF+-10%50VX7R 1206 CERAMIC CHIP CAPACITOR	CC 0099.8438.00	MURATA	GRM42-6 X7R 102 K50	
C134	CC 4,7PF+-0,25 50V NPO1206 CERAMIC CHIP CAPACITOR	CC 0007.8213.00	MURATA	GRM42-6COG 4R7C 50PT	
C135	CC 4,7PF+-0,25 50V NPO1206 CERAMIC CHIP CAPACITOR	CC 0007.8213.00	MURATA	GRM42-6COG 4R7C 50PT	
C136	CC 1NF+-10%50VX7R 1206 CERAMIC CHIP CAPACITOR	CC 0099.8438.00	MURATA	GRM42-6 X7R 102 K50	
C141	CC 1,5NF+-10%4X5R2000 CAPACITOR	CC 0087.7048.00	DRALORIC	EDPU 4X5	
C142	CC 10NF-20+50%7X8R4000 CAPACITOR	CC 0087.7525.00	VALVO	2222 640 51103	
C152	CC 10NF-20+50%7X8R4000 CAPACITOR	CC 0087.7525.00	VALVO	2222 640 51103	
C200	CC 10NF+-10%50V X7R 1206 CERAMIC CHIP CAPACITOR	CC 0099.8521.00	MURATA	GRM42-6X7R103K 50PT	
C201	CC 10NF+-10%50V X7R 1206 CERAMIC CHIP CAPACITOR	CC 0099.8521.00	MURATA	GRM42-6X7R103K 50PT	
C204	CC 4,7PF+-0,25 50V NPO1206 CERAMIC CHIP CAPACITOR	CC 0007.8213.00	MURATA	GRM42-6COG 4R7C 50PT	
C205	CC 6,2PFO,25PF50V NPO1206 CERAMIC CHIP CAPACITOR	CC 0099.8709.00	MURATA	GRM42-COG6R2 C 50PT	
C206	CC 2,7PF+-0,25 50V NPO1206 CERAMIC CHIP CAPACITOR	CC 0007.8188.00	MURATA	GRM42-6COG 2R7 C50PT	
C207	CC 6,2PFO,25PF50V NPO1206 CERAMIC CHIP CAPACITOR	CC 0099.8709.00	MURATA	GRM42-COG6R2 C 50PT	
C208	CC 2,7PF+-0,25 50V NPO1206 CERAMIC CHIP CAPACITOR	CC 0007.8188.00	MURATA	GRM42-6COG 2R7 C50PT	
C209	CC 4,7PF+-0,25 50V NPO1206 CERAMIC CHIP CAPACITOR	CC 0007.8213.00	MURATA	GRM42-6COG 4R7C 50PT	
C214	CC 2,7PF+-0,25 50V NPO1206 CERAMIC CHIP CAPACITOR	CC 0007.8188.00	MURATA	GRM42-6COG 2R7 C50PT	

MEZ15	790 3PLU	Äl	Datum Date	Schaltteilliste für Parts list for	Sachnummer Stock No.	Blatt-Nr. Page
	17	03.05.99	ED AUSGANGSSTUFE 2GHZ OUTPUT-STAGE 2GHZ	0843.4805.01 SA	2+	

095.0026-0693

Für diese Unterlage behalten wir uns alle Rechte vor.


Kennz. Comp. No.	Benennung Designation	Sachnummer Stock No.	Hersteller Manufacturer	Bezeichnung Designation	enthalten in contained in
C215	CC 4,7PF+-0,25 50VNP01206 CERAMIC CHIP CAPACITOR	CC 0007.8213.00	MURATA	GRM42-6COG 4R7C 50PT	
C217	CC 4,7PF+-0,25 50VNP01206 CERAMIC CHIP CAPACITOR	CC 0007.8213.00	MURATA	GRM42-6COG 4R7C 50PT	
C219	CC 2,7PF+-0,25 50VNP01206 CERAMIC CHIP CAPACITOR	CC 0007.8188.00	MURATA	GRM42-6COG 2R7 C50PT	
C220	CC 1NF+-10%50VX7R 1206 CERAMIC CHIP CAPACITOR	CC 0099.8438.00	MURATA	GRM42-6 X7R 102 K50	
C224	CC 1ONF+-10%50V X7R 1206 CERAMIC CHIP CAPACITOR	CC 0099.8521.00	MURATA	GRM42-6X7R103K 50PT	
C225	CC 1ONF+-10%50V X7R 1206 CERAMIC CHIP CAPACITOR	CC 0099.8521.00	MURATA	GRM42-6X7R103K 50PT	
C226	CC 4,7NF+-10%50VX7R 1206 CERAMIC CHIP CAPACITOR	CC 0099.8450.00	AVX	1206 5 C 472 KA 3	
C227	CC 1ONF+-10%50V X7R 1206 CERAMIC CHIP CAPACITOR	CC 0099.8521.00	MURATA	GRM42-6X7R103K 50PT	
C231	CC 82PF+-1%50V NPO 1206 CERAMIC CHIP CAPACITOR	CC 0099.8821.00	MURATA	GRM42-6COG 820F50ZPT	
C232	CC 150PF+-1%50V NPO 1206 CERAMIC CHIP CAPACITOR	CC 0099.8509.00	MURATA	GRM42-6COG 151F 50PT	
C233	CC 150PF+-1%50V NPO 1206 CERAMIC CHIP CAPACITOR	CC 0099.8509.00	MURATA	GRM42-6COG 151F 50PT	
C234	CC 82PF+-1%50V NPO 1206 CERAMIC CHIP CAPACITOR	CC 0099.8821.00	MURATA	GRM42-6COG 820F50ZPT	
C236	CC 1NF+-10%50VX7R 1206 CERAMIC CHIP CAPACITOR	CC 0099.8438.00	MURATA	GRM42-6 X7R 102 K50	
C237	CC 1ONF+-10%50V X7R 1206 CERAMIC CHIP CAPACITOR	CC 0099.8521.00	MURATA	GRM42-6X7R103K 50PT	
C238	CC 47PF+-1%50V COG 1206 CERAMIC CHIP CAPACITOR	CC 0099.8496.00	MURATA	GRM42-6COG 470F50ZPT	
C241	CC 56PF+-1%50V NPO 1206 CERAMIC CHIP CAPACITOR	CC 0099.8809.00	MURATA	GRM42-6COG 560F50ZPT	
C242	CC 120PF+-1%50V NPO 1206 CERAMIC CHIP CAPACITOR	CC 0099.8838.00	MURATA	GRM42-6COG 121F50ZPT	
C243	CC 120PF+-1%50V NPO 1206 CERAMIC CHIP CAPACITOR	CC 0099.8838.00	MURATA	GRM42-6COG 121F50ZPT	
C244	CC 56PF+-1%50V NPO 1206 CERAMIC CHIP CAPACITOR	CC 0099.8809.00	MURATA	GRM42-6COG 560F50ZPT	
C247	CC 4,7NF+-10%50VX7R 1206 CERAMIC CHIP CAPACITOR	CC 0099.8450.00	AVX	1206 5 C 472 KA 3	
C251	CC 47PF+-1%50V COG 1206 CERAMIC CHIP CAPACITOR	CC 0099.8496.00	MURATA	GRM42-6COG 470F50ZPT	
C252	CC 82PF+-1%50V NPO 1206 CERAMIC CHIP CAPACITOR	CC 0099.8821.00	MURATA	GRM42-6COG 820F50ZPT	
C253	CC 82PF+-1%50V NPO 1206 CERAMIC CHIP CAPACITOR	CC 0099.8821.00	MURATA	GRM42-6COG 820F50ZPT	
C254	CC 47PF+-1%50V COG 1206 CERAMIC CHIP CAPACITOR	CC 0099.8496.00	MURATA	GRM42-6COG 470F50ZPT	
C255	CC 12PF+-1% 50V NPO 1206 CERAMIC CHIP CAPACITOR	CC 0099.8744.00	MURATA	GRM42-6COG 120F50ZPT	
C256	CC 12PF+-1% 50V NPO 1206 CERAMIC CHIP CAPACITOR	CC 0099.8744.00	MURATA	GRM42-6COG 120F50ZPT	
C261	CC 1ONF+-10%50V X7R 1206 CERAMIC CHIP CAPACITOR	CC 0099.8521.00	MURATA	GRM42-6X7R103K 50PT	
C263	CC 1NF+-10%50VX7R 1206 CERAMIC CHIP CAPACITOR	CC 0099.8438.00	MURATA	GRM42-6 X7R 102 K50	
C265	CC 1ONF+-10%50V X7R 1206 CERAMIC CHIP CAPACITOR	CC 0099.8521.00	MURATA	GRM42-6X7R103K 50PT	
C266	CC 1ONF+-10%50V X7R 1206 CERAMIC CHIP CAPACITOR	CC 0099.8521.00	MURATA	GRM42-6X7R103K 50PT	
C267	CC 1NF+-10%50VX7R 1206 CERAMIC CHIP CAPACITOR	CC 0099.8438.00	MURATA	GRM42-6 X7R 102 K50	
C271	CC 470PF+-1%50V NPO 1206 CERAMIC CHIP CAPACITOR	CC 0099.8515.00	AVX	1206 5 A 471 F 3	
C272	CC 1NF+-10%50VX7R 1206 CERAMIC CHIP CAPACITOR	CC 0099.8438.00	MURATA	GRM42-6 X7R 102 K50	
..280	CC 1NF+-10%50VX7R 1206 CERAMIC CHIP CAPACITOR	CC 0099.8438.00	MURATA	GRM42-6 X7R 102 K50	
C284	CC 1NF+-10%50VX7R 1206 CERAMIC CHIP CAPACITOR	CC 0099.8438.00	MURATA	GRM42-6 X7R 102 K50	
..289	CC 470PF+-1%50V NPO 1206 CERAMIC CHIP CAPACITOR	CC 0099.8515.00	AVX	1206 5 A 471 F 3	
C292	CC 470PF+-1%50V NPO 1206 CERAMIC CHIP CAPACITOR	CC 0099.8515.00	AVX	1206 5 A 471 F 3	
C293	CC 1NF+-10%50VX7R 1206 CERAMIC CHIP CAPACITOR	CC 0099.8438.00	MURATA	GRM42-6 X7R 102 K50	
C294	CC 470PF+-1%50V NPO 1206 CERAMIC CHIP CAPACITOR	CC 0099.8515.00	AVX	1206 5 A 471 F 3	
C295	CC 470PF+-1%50V NPO 1206 CERAMIC CHIP CAPACITOR	CC 0099.8515.00	AVX	1206 5 A 471 F 3	
C300	CC 10PF+-0,25 50VNP0 1206 CERAMIC CHIP CAPACITOR	CC 0099.8480.00	MURATA	GRM42-6COG 100 C50PT	

MEZ15	790 3PLU	ÄI	Datum Date	Schaltteilliste für Parts list for	Sachnummer Stock No.	Blatt-Nr. Page
		17	03.05.99	ED AUSGANGSSTUFE 2GHZ OUTPUT-STAGE 2GHZ	0843.4805.01 SA	3+

095.0026-0693


wir uns alle Rechte vor.

Kennz. Comp. No.	Benennung Designation	Sachnummer Stock No.	Hersteller Manufacturer	Bezeichnung Designation	enthalten in contained in
C301	CC 15PF+-1% 50V NPO 1206 CERAMIC CHIP CAPACITOR	CC 0099.8750.00	MURATA	GRM42-6COG 150F50ZPT	
C303	CC 15PF+-1% 50V NPO 1206 CERAMIC CHIP CAPACITOR	CC 0099.8750.00	MURATA	GRM42-6COG 150F50ZPT	
C305	CC 10PF+-0,25 50VNPO 1206 CERAMIC CHIP CAPACITOR	CC 0099.8480.00	MURATA	GRM42-6COG 100 C50PT	
C306	CC 1NF+-10%50VX7R 1206 CERAMIC CHIP CAPACITOR	CC 0099.8438.00	MURATA	GRM42-6 X7R 102 K50	
C307	CC 1NF+-10%50VX7R 1206 CERAMIC CHIP CAPACITOR	CC 0099.8438.00	MURATA	GRM42-6 X7R 102 K50	
C308	CC 1NF+-10%50VX7R 1206 CERAMIC CHIP CAPACITOR	CC 0099.8438.00	MURATA	GRM42-6 X7R 102 K50	
C310	CC 15PF+-1% 50V NPO 1206 CERAMIC CHIP CAPACITOR	CC 0099.8750.00	MURATA	GRM42-6COG 150F50ZPT	
C311	CC 27PF+-1%50V NPO 1206 CERAMIC CHIP CAPACITOR	CC 0099.8409.00	MURATA	GRM42-6COG 270F50ZPT	
C314	CC 27PF+-1%50V NPO 1206 CERAMIC CHIP CAPACITOR	CC 0099.8409.00	MURATA	GRM42-6COG 270F50ZPT	
C315	CC 15PF+-1% 50V NPO 1206 CERAMIC CHIP CAPACITOR	CC 0099.8750.00	MURATA	GRM42-6COG 150F50ZPT	
C317	CC 1NF+-10%50VX7R 1206 CERAMIC CHIP CAPACITOR	CC 0099.8438.00	MURATA	GRM42-6 X7R 102 K50	
C320	CC 15PF+-1% 50V NPO 1206 CERAMIC CHIP CAPACITOR	CC 0099.8750.00	MURATA	GRM42-6COG 150F50ZPT	
C321	CC 22PF+-1%50V NPO 1206 CERAMIC CHIP CAPACITOR	CC 0099.8396.00	MURATA	GRM42-6COG 220F50ZPT	
C323	CC 22PF+-1%50V NPO 1206 CERAMIC CHIP CAPACITOR	CC 0099.8396.00	MURATA	GRM42-6COG 220F50ZPT	
C325	CC 15PF+-1% 50V NPO 1206 CERAMIC CHIP CAPACITOR	CC 0099.8750.00	MURATA	GRM42-6COG 150F50ZPT	
C326	CC 1NF+-10%50VX7R 1206 CERAMIC CHIP CAPACITOR	CC 0099.8438.00	MURATA	GRM42-6 X7R 102 K50	
C327	CC 1NF+-10%50VX7R 1206 CERAMIC CHIP CAPACITOR	CC 0099.8438.00	MURATA	GRM42-6 X7R 102 K50	
C330	CC 33PF+-1%50V NPO 1206 CERAMIC CHIP CAPACITOR	CC 0099.8780.00	MURATA	GRM42-6COG 330F50ZPT	
C331	CC 56PF+-1%50V NPO 1206 CERAMIC CHIP CAPACITOR	CC 0099.8809.00	MURATA	GRM42-6COG 560F50ZPT	
C334	CC 56PF+-1%50V NPO 1206 CERAMIC CHIP CAPACITOR	CC 0099.8809.00	MURATA	GRM42-6COG 560F50ZPT	
C335	CC 33PF+-1%50V NPO 1206 CERAMIC CHIP CAPACITOR	CC 0099.8780.00	MURATA	GRM42-6COG 330F50ZPT	
C341	CC 39PF+-1%50V NPO 1206 CERAMIC CHIP CAPACITOR	CC 0099.8796.00	MURATA	GRM42-6COG 390F50ZPT	
C342	CC 68PF+-1%50V NPO 1206 CERAMIC CHIP CAPACITOR	CC 0099.8815.00	MURATA	GRM42-6COG 680F50ZPT	
C343	CC 68PF+-1%50V NPO 1206 CERAMIC CHIP CAPACITOR	CC 0099.8815.00	MURATA	GRM42-6COG 680F50ZPT	
C346	CC 4,7NF+-10%50VX7R 1206 CERAMIC CHIP CAPACITOR	CC 0099.8450.00	AVX	1206 5 C 472 KA 3	
C347	CC 39PF+-1%50V NPO 1206 CERAMIC CHIP CAPACITOR	CC 0099.8796.00	MURATA	GRM42-6COG 390F50ZPT	
C350	CC 10NF-20+50%7X8R4000 CAPACITOR	CC 0087.7525.00	VALVO	2222 640 51103	
C351	CC 10NF-20+50%7X8R4000 CAPACITOR	CC 0087.7525.00	VALVO	2222 640 51103	
C352	CC 56PF+-1%50V NPO 1206 CERAMIC CHIP CAPACITOR	CC 0099.8809.00	MURATA	GRM42-6COG 560F50ZPT	
C354	CC 10NF-20+50%7X8R4000 CAPACITOR	CC 0087.7525.00	VALVO	2222 640 51103	
C355	CC 10NF-20+50%7X8R4000 CAPACITOR	CC 0087.7525.00	VALVO	2222 640 51103	
C360	CC 10NF-20+50%7X8R4000 CAPACITOR	CC 0087.7525.00	VALVO	2222 640 51103	
C361	CC 10NF-20+50%7X8R4000 CAPACITOR	CC 0087.7525.00	VALVO	2222 640 51103	
C364	CC 10NF-20+50%7X8R4000 CAPACITOR	CC 0087.7525.00	VALVO	2222 640 51103	
C365	CC 10NF-20+50%7X8R4000 CAPACITOR	CC 0087.7525.00	VALVO	2222 640 51103	
C366	CC 10NF-20+50%7X8R4000 CAPACITOR	CC 0087.7525.00	VALVO	2222 640 51103	
C451	CC 470PF+-1%50V NPO 1206 CERAMIC CHIP CAPACITOR	CC 0099.8515.00	AVX	1206 5 A 471 F 3	
C461	CC 10NF-20+50%7X8R4000 CAPACITOR	CC 0087.7525.00	VALVO	2222 640 51103	
C462	CC 10NF-20+50%7X8R4000 CAPACITOR	CC 0087.7525.00	VALVO	2222 640 51103	

MEZ15	790 3PLU	Äl	Datum Date	Schaltteilliste für Parts list for	Sachnummer Stock No.	Blatt-Nr. Page
	17	03.05.99	ED AUSGANGSSTUFE 2GHZ OUTPUT-STAGE 2GHZ	0843.4805.01 SA	4+	

095.0026-0693

Für diese Unterlage behalten
wir uns alle Rechte vor.


Kennz. Comp. No.	Benennung Designation	Sachnummer Stock No.	Hersteller Manufacturer	Bezeichnung Designation	enthalten in contained in	
C466	CC 180PF+-2%6X7N750 CAPACITOR	CC 0087.6935.00	PHILIPS_CO	2222 678 58181		
C470	CC 10NF-20+50%7X8R4000 CAPACITOR	CC 0087.7525.00	VALVO	2222 640 51103		
C471	CC 10NF-20+50%7X8R4000 CAPACITOR	CC 0087.7525.00	VALVO	2222 640 51103		
C510	CC 15PF+-2%3X4NPO CAPACITOR	CC 0087.6441.00	PHILIPS_CO	2222 678		
C520	CC 22PF+-2%4X5NPO CAPACITOR	CC 0087.6464.00	PHILIPS_CO	2222 678		
C600	CC 27PF+-2%4X5NPO CAPACITOR	CC 0087.6470.00	PHILIPS_CO	2222 678		
C600	NUR VAR/ONLY MOD: 02 04 CC 33PF+-2%4X5NPO CAPACITOR	CC 0087.6487.00	PHILIPS_CO	2222 678		
C601	NUR VAR/ONLY MOD: 06 CC 47PF+-2%5X6NPO CAPACITOR	CC 0087.6506.00	PHILIPS_CO	2222 678		
C601	NUR VAR/ONLY MOD: 02 04 CC 56PF+-2%5X6NPO CAPACITOR	CC 0087.6512.00	PHILIPS_CO	2222 678		
C602	NUR VAR/ONLY MOD: 06 CC 27PF+-2%4X5NPO CAPACITOR	CC 0087.6470.00	PHILIPS_CO	2222 678		
C602	NUR VAR/ONLY MOD: 02 04 CC 33PF+-2%4X5NPO CAPACITOR	CC 0087.6487.00	PHILIPS_CO	2222 678		
C603	NUR VAR/ONLY MOD: 06 CC 470PF+-10%3X4R2000 CAPACITOR	CC 0087.6993.00	PHILIPS_CO	2222 630 51471		
C604	CC 56PF+-2%5X6NPO CAPACITOR	CC 0087.6512.00	PHILIPS_CO	2222 678		
C604	NUR VAR/ONLY MOD: 02 04 CC 15PF+-2%3X4NPO CAPACITOR	CC 0087.6441.00	PHILIPS_CO	2222 678		
C606	NUR VAR/ONLY MOD: 06 CC 470PF+-10%3X4R2000 CAPACITOR	CC 0087.6993.00	PHILIPS_CO	2222 630 51471		
C611	CC 1NF+-10%63V K2000 CERAMIC CAPACITOR	CC 0022.0784.00	PHILIPS_CO	2222 630		
C612	CC 470PF+-10%3X4R2000 CAPACITOR	CC 0087.6993.00	PHILIPS_CO	2222 630 51471		
C614	CC 27PF+-2%4X5NPO CAPACITOR	CC 0087.6470.00	PHILIPS_CO	2222 678		
C614	NUR VAR/ONLY MOD: 02 04 CC 33PF+-2%4X5NPO CAPACITOR	CC 0087.6487.00	PHILIPS_CO	2222 678		
C615	NUR VAR/ONLY MOD: 06 CC 68PF+-2%6X7NPO CAPACITOR	CC 0087.6529.00	PHILIPS_CO	2222 678		
C616	CC 15PF+-2%3X4NPO CAPACITOR	CC 0087.6441.00	PHILIPS_CO	2222 678		
C617	CC 470PF+-1%50V NPO 1206 CERAMIC CHIP CAPACITOR	CC 0099.8515.00	AVX	1206 5 A 471 F 3		
C618	CC 33PF+-2%4X5NPO CAPACITOR	CC 0087.6487.00	PHILIPS_CO	2222 678		
C626	CC 10NF-20+50%7X8R4000 CAPACITOR	CC 0087.7525.00	VALVO	2222 640 51103		
C627	CC 680PF+-10%50VX7R 1206 CERAMIC CHIP CAPACITOR	CC 0099.8421.00	MURATA	GRM42-6 X7R681K50PT		
C627	NUR VAR/ONLY MOD: 02 04 CC 470PF+-1%50V NPO 1206 CERAMIC CHIP CAPACITOR	CC 0099.8515.00	AVX	1206 5 A 471 F 3		
C628	NUR VAR/ONLY MOD: 06 CC 680PF+-10%50VX7R 1206 CERAMIC CHIP CAPACITOR	CC 0099.8421.00	MURATA	GRM42-6 X7R681K50PT		
C628	NUR VAR/ONLY MOD: 02 04 CC 470PF+-1%50V NPO 1206 CERAMIC CHIP CAPACITOR	CC 0099.8515.00	AVX	1206 5 A 471 F 3		
C630	NUR VAR/ONLY MOD: 06 CC 470PF+-10%3X4R2000 CAPACITOR	CC 0087.6993.00	PHILIPS_CO	2222 630 51471		
C631	CC 56PF+-1%50V NPO 1206 CERAMIC CHIP CAPACITOR	CC 0099.8809.00	MURATA	GRM42-6COG 560F50ZPT		
C632	CC 120PF+-2%6X9NPO CAPACITOR	CC 0087.6558.00	PHILIPS_CO	2222 678 10121		
	NUR VAR/ONLY MOD: 02 04					
MEZ15	790 3PLU	ÄI	Datum Date	Schaltteilliste für Parts list for	Sachnummer Stock No.	Blatt-Nr. Page
	ROHDE & SCHWARZ	17	03.05.99	ED AUSGANGSSTUFE 2GHZ OUTPUT-STAGE 2GHZ	0843.4805.01 SA	5+

095.0026-0693

wir uns alle Rechte vor.

Kennz. Comp. No.	Benennung Designation	Sachnummer Stock No.	Hersteller Manufacturer	Bezeichnung Designation	enthalten in contained in
C632	CC 100PF+-2%6X9NPO CAPACITOR NUR VAR/ONLY MOD: 06	CC 0087.6541.00	PHILIPS_CO	2222 678	
C633	CK 1UF+-5%50V7,5X5,5X10,5 CAPACITOR	CK 0099.2998.00	SIEMENS	B32529-C5105-J189	
C642	CC 1,5NF+-10%50V X7R 1206 CERAMIC CHIP CAPACITOR NUR VAR/ONLY MOD: 02 04	CC 0099.8896.00	MURATA	GRM42-6 X7R152K5OPT	
C642	CC 3,3NF+-10%50V X7R 1206 CERAMIC CHIP CAPACITOR NUR VAR/ONLY MOD: 06	CC 0099.8909.00	PHILIPS_CO	2238 581 16621	
C643	CE 4,7UF+-20%10V 5X 4X 7 ELECTROLYTIC CAPACITOR	CE 0022.8056.00	KEMET	T340 A475M010 AS	
C646	CE 47UF+-20%63V RM5 ELECTROLYTIC CAPACITOR NUR VAR/ONLY MOD: 02 04	0008.7440.00	PHILIPS_CO	2222 116 90112	
C646	CC 100NF+-10%50V5K1200VIE CAPACITOR NUR VAR/ONLY MOD: 06	CC 0084.5350.00	UNION_CARB	CK 05 BX 104K	
C647	CC 1,5NF+-10%50V X7R 1206 CERAMIC CHIP CAPACITOR NUR VAR/ONLY MOD: 02 04	CC 0099.8896.00	MURATA	GRM42-6 X7R152K5OPT	
C648	CK 1UF+-5%50V7,5X5,5X10,5 CAPACITOR	CK 0099.2998.00	SIEMENS	B32529-C5105-J189	
C650	CC 82PF+-2%6X7NPO CAPACITOR NUR VAR/ONLY MOD: 02 04	CC 0087.6535.00	PHILIPS_CO	2222 678 10 829	
C650	CC 120PF+-2%6X9NPO CAPACITOR NUR VAR/ONLY MOD: 06	CC 0087.6558.00	PHILIPS_CO	2222 678 10121	
C651	CC 180PF+-1%50V NPO 1206 CHIP CAPACITOR NUR VAR/ONLY MOD: 02 04	CC 0099.8844.00	MURATA	GRM42-6COG 181F50ZPT	
C651	CC 220PF+-1%50V NPO 1206 CERAMIC CHIP CAPACITOR NUR VAR/ONLY MOD: 06	CC 0099.8850.00	MURATA	GRM42-6COG 221F 50PT	
C652	CC 82PF+-1%50V NPO 1206 CERAMIC CHIP CAPACITOR NUR VAR/ONLY MOD: 02 04	CC 0099.8821.00	MURATA	GRM42-6COG 820F50ZPT	
C652	CC 120PF+-1%50V NPO 1206 CERAMIC CHIP CAPACITOR NUR VAR/ONLY MOD: 06	CC 0099.8838.00	MURATA	GRM42-6COG 121F50ZPT	
C653	CC 10PF+-0,25 50VNPO 1206 CERAMIC CHIP CAPACITOR NUR VAR/ONLY MOD: 02 04	CC 0099.8480.00	MURATA	GRM42-6COG 100 C50PT	
C653	CC 47PF+-1%50V COG 1206 CERAMIC CHIP CAPACITOR NUR VAR/ONLY MOD: 06	CC 0099.8496.00	MURATA	GRM42-6COG 470F50ZPT	
C660	CC 1,5NF+-10%4X5R2000 CAPACITOR	CC 0087.7048.00	DRALORIC	EDPU 4X5	
C664	CC 100NF+-10%50V5K1200VIE CAPACITOR	CC 0084.5350.00	UNION_CARB	CK 05 BX 104K	
C665	CC 100NF+-10%50V5K1200VIE CAPACITOR	CC 0084.5350.00	UNION_CARB	CK 05 BX 104K	
C670	CC 680PF+-10%4X5R2000 CAPACITOR	CC 0087.7019.00	PHILIPS_CO	2222 630 51681	
C671	CC 47PF+-1%50V COG 1206 CERAMIC CHIP CAPACITOR	CC 0099.8496.00	MURATA	GRM42-6COG 470F50ZPT	
C673	CC 680PF+-10%4X5R2000 CAPACITOR	CC 0087.7019.00	PHILIPS_CO	2222 630 51681	
C676	CC 10NF-20+50%7X8R4000 CAPACITOR	CC 0087.7525.00	VALVO	2222 640 51103	
C677	CC 1NF+-10%50VX7R 1206 CERAMIC CHIP CAPACITOR	CC 0099.8438.00	MURATA	GRM42-6 X7R 102 K50	
C679	CC 680PF+-10%4X5R2000 CAPACITOR	CC 0087.7019.00	PHILIPS_CO	2222 630 51681	
C702	CE 100UF+-20%35V RM5 ELECTROLYTIC CAPACITOR	0008.7510.00	PHILIPS_CO	2222 116 90042	
C712	CE 22UF+-20%63V RM5 ELECTROLYTIC CAPACITOR	0008.7433.00	PHILIPS_CO	2222 116 90111	
C732	CE 22UF+-20%63V RM5 ELECTROLYTIC CAPACITOR	0008.7433.00	PHILIPS_CO	2222 116 90111	
C750	LD FILT.40DB/10GHZ10A300V LOWPASS-FILTER	0911.0705.00	SPECTRUM	SCI-9920-101HT	
C760	LD FILT.40DB/10GHZ10A300V LOWPASS-FILTER	0911.0705.00	SPECTRUM	SCI-9920-101HT	
C770	LD FILT.40DB/10GHZ10A300V LOWPASS-FILTER	0911.0705.00	SPECTRUM	SCI-9920-101HT	


095.0026-0693

MEZ15	790 3PLU	Äl	Datum Date	Schaltteilliste für Parts list for	Sachnummer Stock No.	Blatt-Nr. Page
	17	03.05.99	ED AUSGANGSSTUFE 2GHZ OUTPUT-STAGE 2GHZ	0843.4805.01 SA	6+	

Für diese Unterlage behalten
wir uns alle Rechte vor.

Kennz. Comp. No.	Benennung Designation	Sachnummer Stock No.	Hersteller Manufacturer	Bezeichnung Designation	enthalten in contained in
C780	LD FILT.40DB/10GHZ10A300V LOWPASS-FILTER	0911.0705.00	SPECTRUM	SCI-9920-101HT	
C792	LD FILT.40DB/10GHZ10A300V LOWPASS-FILTER	0911.0705.00	SPECTRUM	SCI-9920-101HT	
C800	CC 100PF+-1%50V NPO 1206 CERAMIC CHIP CAPACITOR	CC 0099.8415.00	MURATA	GRM42-6COG 101F50ZPT	
C801	CC 100PF+-1%50V NPO 1206 CERAMIC CHIP CAPACITOR	CC 0099.8415.00	MURATA	GRM42-6COG 101F50ZPT	
C803	CC 4,7PF+-0,25 50VNPO1206 CERAMIC CHIP CAPACITOR	CC 0007.8213.00	MURATA	GRM42-6COG 4R7C 50PT	
C804	CC 10NF-20+50%7X8R4000 CAPACITOR	CC 0087.7525.00	VALVO	2222 640 51103	
C805	CK 100NF+-5%63VRD2,5H7MKT CAPACITOR	CK 0099.2930.00	SIEMENS	B 32 529-C104-J	
C806	CK 100NF+-5%63VRD2,5H7MKT CAPACITOR	CK 0099.2930.00	SIEMENS	B 32 529-C104-J	
C807	CC 1,5NF+-10%50V X7R 1206 CERAMIC CHIP CAPACITOR	CC 0099.8896.00	MURATA	GRM42-6 X7R152K50PT	
C810	CC 4,7PF+-0,25 50VNPO1206 CERAMIC CHIP CAPACITOR	CC 0007.8213.00	MURATA	GRM42-6COG 4R7C 50PT	
C812	CC 100PF+-1%50V NPO 1206 CERAMIC CHIP CAPACITOR	CC 0099.8415.00	MURATA	GRM42-6COG 101F50ZPT	
C813	CC 1PF+-0,25 50V NPO 1206 CERAMIC CHIP CAPACITOR	CC 0099.8667.00	MURATA	GRM42-6COG 1R0 C50PT	
C820	CC 1,8PF+-0,25 50VNPO1206 CERAMIC CHIP CAPACITOR	CC 0007.8165.00	MURATA	GRM42-6COG 1R8 C50PT	
C821	CC 3,9PF+-0,25 50VNPO1206 CERAMIC CHIP CAPACITOR	CC 0007.8207.00	MURATA	GRM42-6COG 3R9 C50PT	
C822	CC 1,5NF+-10%50V X7R 1206 CERAMIC CHIP CAPACITOR	CC 0099.8896.00	MURATA	GRM42-6 X7R152K50PT	
C823	CC 1,5NF+-10%50V X7R 1206 CERAMIC CHIP CAPACITOR	CC 0099.8896.00	MURATA	GRM42-6 X7R152K50PT	
C824	CC 82PF+-1%50V NPO 1206 CERAMIC CHIP CAPACITOR	CC 0099.8821.00	MURATA	GRM42-6COG 820F50ZPT	
C826	CC 1,5NF+-10%50V X7R 1206 CERAMIC CHIP CAPACITOR	CC 0099.8896.00	MURATA	GRM42-6 X7R152K50PT	
C828	CC 82PF+-1%50V NPO 1206 CERAMIC CHIP CAPACITOR	CC 0099.8821.00	MURATA	GRM42-6COG 820F50ZPT	
C830	CC 3,9PF+-0,25 50VNPO1206 CERAMIC CHIP CAPACITOR	CC 0007.8207.00	MURATA	GRM42-6COG 3R9 C50PT	
C831	CC 3,9PF+-0,25 50VNPO1206 CERAMIC CHIP CAPACITOR	CC 0007.8207.00	MURATA	GRM42-6COG 3R9 C50PT	
C832	CC 1,5NF+-10%50V X7R 1206 CERAMIC CHIP CAPACITOR	CC 0099.8896.00	MURATA	GRM42-6 X7R152K50PT	
C833	CC 1,5NF+-10%50V X7R 1206 CERAMIC CHIP CAPACITOR	CC 0099.8896.00	MURATA	GRM42-6 X7R152K50PT	
C834	CC 82PF+-1%50V NPO 1206 CERAMIC CHIP CAPACITOR	CC 0099.8821.00	MURATA	GRM42-6COG 820F50ZPT	
C835	CC 4,7PF+-0,25 50VNPO1206 CERAMIC CHIP CAPACITOR	CC 0007.8213.00	MURATA	GRM42-6COG 4R7C 50PT	
C838	CC 82PF+-1%50V NPO 1206 CERAMIC CHIP CAPACITOR	CC 0099.8821.00	MURATA	GRM42-6COG 820F50ZPT	
C840	CC 3,9PF+-0,25 50VNPO1206 CERAMIC CHIP CAPACITOR	CC 0007.8207.00	MURATA	GRM42-6COG 3R9 C50PT	
C841	CC 1,5NF+-10%50V X7R 1206 CERAMIC CHIP CAPACITOR	CC 0099.8896.00	MURATA	GRM42-6 X7R152K50PT	
..844	CC 82PF+-1%50V NPO 1206 CERAMIC CHIP CAPACITOR	CC 0099.8821.00	MURATA	GRM42-6COG 820F50ZPT	
C845	CC 82PF+-1%50V NPO 1206 CERAMIC CHIP CAPACITOR	CC 0099.8821.00	MURATA	GRM42-6COG 820F50ZPT	
C846	CC 82PF+-1%50V NPO 1206 CERAMIC CHIP CAPACITOR	CC 0099.8821.00	MURATA	GRM42-6COG 820F50ZPT	
C847	CC 82PF+-1%50V NPO 1206 CERAMIC CHIP CAPACITOR	CC 0099.8821.00	MURATA	GRM42-6COG 820F50ZPT	
C849	CC 82PF+-1%50V NPO 1206 CERAMIC CHIP CAPACITOR	CC 0099.8821.00	MURATA	GRM42-6COG 820F50ZPT	
C850	CC 82PF+-1%50V NPO 1206 CERAMIC CHIP CAPACITOR	CC 0099.8821.00	MURATA	GRM42-6COG 820F50ZPT	
C851	CC 82PF+-1%50V NPO 1206 CERAMIC CHIP CAPACITOR	CC 0099.8821.00	MURATA	GRM42-6COG 820F50ZPT	
C852	CC 1PF+-0,25 50V NPO 1206 CERAMIC CHIP CAPACITOR	CC 0099.8667.00	MURATA	GRM42-6COG 1R0 C50PT	
C853	CC 82PF+-1%50V NPO 1206 CERAMIC CHIP CAPACITOR	CC 0099.8821.00	MURATA	GRM42-6COG 820F50ZPT	
C854	CC 82PF+-1%50V NPO 1206 CERAMIC CHIP CAPACITOR	CC 0099.8821.00	MURATA	GRM42-6COG 820F50ZPT	
C855	CC 82PF+-1%50V NPO 1206 CERAMIC CHIP CAPACITOR	CC 0099.8821.00	MURATA	GRM42-6COG 820F50ZPT	
C856	CC 1PF+-0,25 50V NPO 1206 CERAMIC CHIP CAPACITOR	CC 0099.8667.00	MURATA	GRM42-6COG 1R0 C50PT	


095.0026-0693

MEZ15	790 3PLU	Äl	Datum Date	Schaltteilleiste für Parts list for	Sachnummer Stock No.	Blatt-Nr. Page
	ROHDE & SCHWARZ	17	03.05.99	ED AUSGANGSSTUFE 2GHZ OUTPUT-STAGE 2GHZ	0843.4805.01 SA	7+


wir uns alle Rechte vor.

Kennz. Comp. No.	Benennung Designation	Sachnummer Stock No.	Hersteller Manufacturer	Bezeichnung Designation	enthalten in contained in
C857	CC 82PF+-1%50V NPO 1206 CERAMIC CHIP CAPACITOR	CC 0099.8821.00	MURATA	GRM42-6COG 820F50ZPT	
C858	CC 82PF+-1%50V NPO 1206 CERAMIC CHIP CAPACITOR	CC 0099.8821.00	MURATA	GRM42-6COG 820F50ZPT	
C859	CC 82PF+-1%50V NPO 1206 CERAMIC CHIP CAPACITOR	CC 0099.8821.00	MURATA	GRM42-6COG 820F50ZPT	
C860	CC 1,5NF+-10%50V X7R 1206 CERAMIC CHIP CAPACITOR	CC 0099.8896.00	MURATA	GRM42-6 X7R152K50PT	
C861	CC 1,5NF+-10%50V X7R 1206 CERAMIC CHIP CAPACITOR	CC 0099.8896.00	MURATA	GRM42-6 X7R152K50PT	
C862	CC 100PF+-1%50V NPO 1206 CERAMIC CHIP CAPACITOR	CC 0099.8415.00	MURATA	GRM42-6COG 101F50ZPT	
C864	CC 100PF+-1%50V NPO 1206 CERAMIC CHIP CAPACITOR	CC 0099.8415.00	MURATA	GRM42-6COG 101F50ZPT	
C865	CC 1,8PF+-0,25 50VNPO1206 CERAMIC CHIP CAPACITOR	CC 0007.8165.00	MURATA	GRM42-6COG 1R8 C50PT	
C870	CC 1,5NF+-10%50V X7R 1206 CERAMIC CHIP CAPACITOR	CC 0099.8896.00	MURATA	GRM42-6 X7R152K50PT	
C871	CC 1,5NF+-10%50V X7R 1206 CERAMIC CHIP CAPACITOR	CC 0099.8896.00	MURATA	GRM42-6 X7R152K50PT	
C872	CC 100PF+-1%50V NPO 1206 CERAMIC CHIP CAPACITOR	CC 0099.8415.00	MURATA	GRM42-6COG 101F50ZPT	
C881	CC 10NF-20+50%7X8R4000 CAPACITOR	CC 0087.7525.00	VALVO	2222 640 51103	
C890	CC 100NF+-10%50V5K1200VIE CAPACITOR	CC 0084.5350.00	UNION_CARB	CK 05 BX 104K	
C891	CC 1NF+-10%50VX7R 1206 CERAMIC CHIP CAPACITOR	CC 0099.8438.00	MURATA	GRM42-6 X7R 102 K50	
C892	CE 1UF+-10%35V TANTALUM SMD-CAPACITOR	0843.3221.00	SPRAGUE	195D 105 X9 035 D2	
C905	CC 100PF+-1%50V NPO 1206 CERAMIC CHIP CAPACITOR	CC 0099.8415.00	MURATA	GRM42-6COG 101F50ZPT	
C908	CC 100PF+-1%50V NPO 1206 CERAMIC CHIP CAPACITOR	CC 0099.8415.00	MURATA	GRM42-6COG 101F50ZPT	
C909	CC 10NF+-10%50V X7R 1206 CERAMIC CHIP CAPACITOR	CC 0099.8521.00	MURATA	GRM42-6X7R103K 50PT	
C915	CC 100PF+-1%50V NPO 1206 CERAMIC CHIP CAPACITOR	CC 0099.8415.00	MURATA	GRM42-6COG 101F50ZPT	
C920	CC 10PF+-0,25 50VNPO 1206 CERAMIC CHIP CAPACITOR	CC 0099.8480.00	MURATA	GRM42-6COG 100 C50PT	
C922	CC 56PF+-2%5X6NPO CAPACITOR	CC 0087.6512.00	PHILIPS_CD	2222 678	
C926	CC 18PF+-1% 50V NPO 1206 CERAMIC CHIP CAPACITOR	CC 0099.8767.00	MURATA	GRM42-6COG 180F50ZPT	
C927	CC 100NF+-10%50V5K1200VIE CAPACITOR	CC 0084.5350.00	UNION_CARB	CK 05 BX 104K	
C928	CC 100NF+-10%50V X7R 1206 CERAMIC CHIP CAPACITOR	CC 0007.5237.00	AVX	1206 5C 104 KA 3	
D35	BL SP8605BDG 2:1UHF PRESC IC PRESCALER	BL 0092.9280.00	PLESSEY	SP8605B(DG)..(BDC)	
D52	BL UPB582C 4:1 PRESC IC PRESCALER	0820.3390.00	NEC	(UP)B582C	
D61	BL CA3199 4:1 PRESC IC PRESCALERDIVBY4	0372.1106.10	RCA	CA3199E	
D370	BL PC74HC4094P 8ST.SH.REG 8-STAGE SHIFT&STORE REG. NUR VAR/ONLY MOD: 02	0099.9711.00	PHILIPS_SE	(PC)74HC4094N(P)	
D370	BL CD4094BE 8BIT SH.REG SHIFT REGISTER NUR VAR/ONLY MOD: 04 06	0586.7726.00	RCA	CD4094BE	
D371	BL PC74HC4094P 8ST.SH.REG 8-STAGE SHIFT&STORE REG.	0099.9711.00	PHILIPS_SE	(PC)74HC4094N(P)	
D500	BJ AD7523JN 1X8B-DAC D/A CONVERTER	0801.8219.00	ANALOG_DEV	AD-7523JN	
D520	BJ AD7533CQ 1X10B-DAC D/A-CONVERTER	BJ 0300.8740.00	ANALOG_DEV	AD7533CQ(CD)	
D530	BL PC74HC4094P 8ST.SH.REG 8-STAGE SHIFT&STORE REG. NUR VAR/ONLY MOD: 02	0099.9711.00	PHILIPS_SE	(PC)74HC4094N(P)	
D530	BL CD4094BE 8BIT SH.REG SHIFT REGISTER NUR VAR/ONLY MOD: 04 06	0586.7726.00	RCA	CD4094BE	
D540	BL PC74HC4094P 8ST.SH.REG 8-STAGE SHIFT&STORE REG. NUR VAR/ONLY MOD: 02	0099.9711.00	PHILIPS_SE	(PC)74HC4094N(P)	
D540	BL CD4094BE 8BIT SH.REG SHIFT REGISTER NUR VAR/ONLY MOD: 04 06	0586.7726.00	RCA	CD4094BE	

095.0026-0693

MEZ15	790 3PLU	Äl	Datum Date	Schaltteilliste für Parts list for	Sachnummer Stock No.	Blatt-Nr. Page
	17	03.05.99	ED AUSGANGSSTUFE 2GHZ OUTPUT-STAGE 2GHZ	0843.4805.01 SA	8+	


Für diese Unterlage behalten wir uns alle Rechte vor.

Kennz. Comp. No.	Benennung Designation	Sachnummer Stock No.	Hersteller Manufacturer	Bezeichnung Designation	enthalten in contained in	
D550	BL PC74HC4094P 8ST.SH.REG 8-STAGE SHIFT&STORE REG. NUR VAR/ONLY MOD: 02	0099.9711.00	PHILIPS_SE	(PC)74HC4094N(P)		
D550	BL CD4094BE 8BIT SH.REG SHIFT REGISTER NUR VAR/ONLY MOD: 04 06	0586.7726.00	RCA	CD4094BE		
D560	BL MM74HC4051N 8CH.AN.MUX 8CH.ANALOG MUX/DEMUX	0099.9670.00	PHILIPS	(PC)74HC4051N(P)		
L6	LD 10 UH 10% 3R3 144 MA CHOKE	LD 0026.4184.00	DALE	IM2		
L18	LD 100NH 10% 0,080HM 1,4A CHOKE	LD 0067.2740.00	DALE	IM2		
L35	LD 1,20UH10%0,180HMO,620A CHOKE	LD 0067.2870.00	DALE	IM2		
L40	LD 1,20UH10%0,180HMO,620A CHOKE	LD 0067.2870.00	DALE	IM2		
L44	LD 1,20UH10%0,180HMO,620A CHOKE	LD 0067.2870.00	DALE	IM2		
L52	LD 1,20UH10%0,180HMO,620A CHOKE	LD 0067.2870.00	DALE	IM2		
L55	LD 1,20UH10%0,180HMO,620A CHOKE	LD 0067.2870.00	DALE	IM2		
L58	LD 1,20UH10%0,180HMO,620A CHOKE	LD 0067.2870.00	DALE	IM2		
L61	LD 1,20UH10%0,180HMO,620A CHOKE	LD 0067.2870.00	DALE	IM2		
L64	LD 1,20UH10%0,180HMO,620A CHOKE	LD 0067.2870.00	DALE	IM2		
L70	LD 10 UH 10% 3R3 144 MA CHOKE	LD 0026.4184.00	DALE	IM2		
L71	LD 100NH 10% 0,080HM 1,4A CHOKE	LD 0067.2740.00	DALE	IM2		
L97	LD 2,20UH10%0,400HMO,415A CHOKE	LD 0067.2905.00	DALE	IM2		
L114	LD 1,00UH10%1,000HMO,390A CHOKE	LD 0067.2863.00	DALE	IM2		
L140	LD 1,00UH10%1,000HMO,390A CHOKE	LD 0067.2863.00	DALE	IM2		
L204	XX ENTHALTEN IN INCLUDED IN LEITERPLATTE/PCB PRINTED COMP.					
L206	XX ENTHALTEN IN INCLUDED IN LEITERPLATTE/PCB PRINTED COMP.					
L208	XX ENTHALTEN IN INCLUDED IN LEITERPLATTE/PCB PRINTED COMP.					
L214	XX ENTHALTEN IN INCLUDED IN LEITERPLATTE/PCB PRINTED COMP.					
L216	XX ENTHALTEN IN INCLUDED IN LEITERPLATTE/PCB PRINTED COMP.					
L218	XX ENTHALTEN IN INCLUDED IN LEITERPLATTE/PCB PRINTED COMP.					
L231	LD 0,27UH10%0,160HMO,975A CHOKE	LD 0067.2792.00	DALE	IM2		
L232	LD 0,27UH10%0,160HMO,975A CHOKE	LD 0067.2792.00	DALE	IM2		
L233	LD 0,27UH10%0,160HMO,975A CHOKE	LD 0067.2792.00	DALE	IM2		
L241	LD 0,18UH10%0,120HM1,120A CHOKE	LD 0067.2770.00	DALE	IM2		
L242	LD 0,18UH10%0,120HM1,120A CHOKE	LD 0067.2770.00	DALE	IM2		
L243	LD 0,18UH10%0,120HM1,120A CHOKE	LD 0067.2770.00	DALE	IM2		
L251	LD 0,12UH10%0,090HM1,300A CHOKE	LD 0067.2757.00	DALE	IM2		
MEZ15	790 3PLU	ÄI	Datum Date	Schalttailliste für Parts list for	Sachnummer Stock No.	Blatt-Nr. Page
	ROHDE & SCHWARZ	17	03.05.99	ED AUSGANGSSTUFE 2GHZ OUTPUT-STAGE 2GHZ	0843.4805.01 SA	9+

095.0026-0693

wir uns alle Rechte vor.


Kennz. Comp. No.	Benennung Designation	Sachnummer Stock No.	Hersteller Manufacturer	Bezeichnung Designation	enthalten in contained in
L252	LD 0, 12UH10%0, 090HM1, 300A CHOKE	LD 0067.2757.00	DALE	IM2	
L253	LD 0, 12UH10%0, 090HM1, 300A CHOKE	LD 0067.2757.00	DALE	IM2	
L262	LD 1, 00UH10%1, 000HMO, 390A CHOKE	LD 0067.2863.00	DALE	IM2	
L300	XX ENTHALTEN IN INCLUDED IN LEITERPLATTE/PCB PRINTED COMP.				
L301	XX ENTHALTEN IN INCLUDED IN LEITERPLATTE/PCB PRINTED COMP.				
L302	XX ENTHALTEN IN INCLUDED IN LEITERPLATTE/PCB PRINTED COMP.				
L310	LL SPULE 30N COIL 30N	0801.6468.00			0843.4870.00
L311	LL SPULE 30N COIL 30N	0801.6468.00			0843.4870.00
L312	LL SPULE 30N COIL 30N	0801.6468.00			0843.4870.00
L320	LL SPULE 45N COIL 45N	0801.6451.00			0843.4870.00
L321	LL SPULE 45N COIL 45N	0801.6451.00			0843.4870.00
L322	LL SPULE 45N COIL 45N	0801.6451.00			0843.4870.00
L330	LL SPULE 60N COIL 60N	0801.6445.00			0843.4870.00
L331	LL SPULE 60N COIL 60N	0801.6445.00			0843.4870.00
L332	LL SPULE 60N COIL 60N	0801.6445.00			0843.4870.00
L340	LL SPULE 75N COIL 75N	0801.6439.00			0843.4870.00
L341	LL SPULE 75N COIL 75N	0801.6439.00			0843.4870.00
L342	LL SPULE 75N COIL 75N	0801.6439.00			0843.4870.00
L450	LD 2, 20UH10%0, 400HMO, 415A CHOKE	LD 0067.2905.00	DALE	IM2	
L600	LD 0, 047 UH 10% CHOKE	0249.5995.00	DELEVAN	1026-08	
L600	NUR VAR/ONLY MOD: 02 04 LD 100NH 10% 0, 080HM 1, 4A CHOKE	LD 0067.2740.00	DALE	IM2	
L601	NUR VAR/ONLY MOD: 06 LD 100NH 10% 0, 080HM 1, 4A CHOKE	LD 0067.2740.00	DALE	IM2	
L601	NUR VAR/ONLY MOD: 06 LD 0, 047 UH 10% CHOKE	0249.5995.00	DELEVAN	1026-08	
L602	NUR VAR/ONLY MOD: 02 04 LD 0, 33UH10%0, 220HMO, 830A CHOKE	LD 0067.2805.00	DALE	IM2	
L603	NUR VAR/ONLY MOD: 06 LD 0, 33UH10%0, 220HMO, 830A CHOKE	LD 0067.2805.00	DALE	IM2	
L614	NUR VAR/ONLY MOD: 06 LD 0, 27UH10%0, 160HMO, 975A CHOKE	LD 0067.2792.00	DALE	IM2	
L614	NUR VAR/ONLY MOD: 06 LD 0, 047 UH 10% CHOKE	0249.5995.00	DELEVAN	1026-08	
L615	NUR VAR/ONLY MOD: 02 04 LD 0, 12UH10%0, 090HM1, 300A CHOKE	LD 0067.2757.00	DALE	IM2	
L616	NUR VAR/ONLY MOD: 06 LD 0, 047 UH 10% CHOKE	0249.5995.00	DELEVAN	1026-08	
L616	NUR VAR/ONLY MOD: 02 04 LD 0, 12UH10%0, 090HM1, 300A CHOKE	LD 0067.2757.00	DALE	IM2	
	NUR VAR/ONLY MOD: 06				

MEZ15	790 3PLU	Äl	Datum Date	Schaltteilliste für Parts list for	Sachnummer Stock No.	Blatt-Nr. Page
	17	03.05.99	ED AUSGANGSSTUFE 2GHZ OUTPUT-STAGE 2GHZ	0843.4805.01 SA	10+	

095.0026-0693

Für diese Unterlage behalten wir uns alle Rechte vor.


Kennz. Comp. No.	Benennung Designation	Sachnummer Stock No.	Hersteller Manufacturer	Bezeichnung Designation	enthalten in contained in
L616	LD 0,047 UH 10% CHOKE	0249.5995.00	DELEVAN	1026-08	
L617	NUR VAR/ONLY MOD: 02 04 LD 0,27UH10%0,160HMO,975A CHOKE	LD 0067.2792.00	DALE	IM2	
L623	NUR VAR/ONLY MOD: 06 LD 10 UH 10% 3R3 144 MA CHOKE	LD 0026.4184.00	DALE	IM2	
L632	LD 0,33UH10%0,220HMO,830A CHOKE	LD 0067.2805.00	DALE	IM2	
L633	LD 0,33UH10%0,220HMO,830A CHOKE	LD 0067.2805.00	DALE	IM2	
L650	LD 0,33UH10%0,220HMO,830A CHOKE	LD 0067.2805.00	DALE	IM2	
L651	LD 0,33UH10%0,220HMO,830A CHOKE	LD 0067.2805.00	DALE	IM2	
L675	LD 10 UH 10% 3R3 144 MA CHOKE	LD 0026.4184.00	DALE	IM2	
L676	LD 1,50UH10%0,220HMO,560A CHOKE	LD 0067.2886.00	DALE	IM2	
L810	LD SPULE COIL	0801.6474.00			0843.4870.00
L815	LD SPULE COIL	0801.6422.00			0843.4870.00
L816	LL SPULE COIL	0843.3215.00			0843.4870.00
L820	LD SPULE COIL	0801.6422.00			0843.4870.00
L830	LD SPULE COIL	0801.6422.00			0843.4870.00
L850	LD 1,00UH10%1,000HMO,390A CHOKE	LD 0067.2863.00	DALE	IM2	
L851	LD 1,00UH10%1,000HMO,390A CHOKE	LD 0067.2863.00	DALE	IM2	
L860	LD SPULE COIL	0801.6422.00			0843.4870.00
L870	LD SPULE COIL	0801.6422.00			0843.4870.00
L900	LD 0,47UH10%0,350HMO,660A CHOKE	LD 0067.2828.00	DALE	IM2	
L904	LD 0,47UH10%0,350HMO,660A CHOKE	LD 0067.2828.00	DALE	IM2	
L908	LD 1,00UH10%1,000HMO,390A CHOKE	LD 0067.2863.00	DALE	IM2	
L910	LD 0,33UH10%0,220HMO,830A CHOKE	LD 0067.2805.00	DALE	IM2	
L914	LD 0,33UH10%0,220HMO,830A CHOKE	LD 0067.2805.00	DALE	IM2	
L920	LD 100NH 10% 0,080HM 1,4A CHOKE	LD 0067.2740.00	DALE	IM2	
N70	BM 0M350 HYBRID ANT AMPL ANTENNA AMPLIFIER	BM 0334.4953.00	PHILIPS_SE	0M350	
N150	BO LM393N 2X COMPAR COMPARATOR	0803.0696.00	NSC	LM393N	
N350	BO LM124J 4XLP OPAMP OPERATIONAL AMPLIFIER	0300.6353.00	NSC	LM124J	
N354	BO LM124J 4XLP OPAMP OPERATIONAL AMPLIFIER	0300.6353.00	NSC	LM124J	
N360	BO LM124J 4XLP OPAMP OPERATIONAL AMPLIFIER	0300.6353.00	NSC	LM124J	
N364	BO LM124J 4XLP OPAMP OPERATIONAL AMPLIFIER	0300.6353.00	NSC	LM124J	
N461	BS TL604CP 2X ANALOGSCH ANALOG SWITCH	BJ 0300.6199.00	TEXAS	TL604CP	
N470	BO LF356J LN FET OPAMP OPERATIONAL AMPLIFIER	0300.6053.00	MOTOROLA	LF356J	
N471	BS TL604CP 2X ANALOGSCH ANALOG SWITCH	BJ 0300.6199.00	TEXAS	TL604CP	
N500	NUR VAR/ONLY MOD: 02 BO LF156J FET OPAMP OPERATIONAL AMPLIFIER	BO 0645.7251.00	ANALOG_DEV	PM156Z	
N510	BO LF412CN 2XFET OPAMP OPERATIONAL AMPLIFIER	0356.0521.00	NSC	LF412CN	
N520	BO LF412CN 2XFET OPAMP OPERATIONAL AMPLIFIER	0356.0521.00	NSC	LF412CN	
N660	BO LF412CN 2XFET OPAMP OPERATIONAL AMPLIFIER	0356.0521.00	NSC	LF412CN	

MEZ15	790 3PLU	ÄI	Datum Date	Schaltteilliste für Parts list for	Sachnummer Stock No.	Blatt-Nr. Page
		17	03.05.99	ED AUSGANGSSTUFE 2GHZ OUTPUT-STAGE 2GHZ	0843.4805.01 SA	11+

095.0026-0693

wir uns alle Rechte vor.


Kennz. Comp. No.	Benennung Designation	Sachnummer Stock No.	Hersteller Manufacturer	Bezeichnung Designation	enthalten in contained in
N820	BM MSA0404 MMIC BROADBAND AMPLIFIER	0822.0075.00	MINI-CIRCU	MAV-4	
N830	BM MSA0404 MMIC BROADBAND AMPLIFIER	0822.0075.00	MINI-CIRCU	MAV-4	
N860	BM MSA0404 MMIC BROADBAND AMPLIFIER	0822.0075.00	MINI-CIRCU	MAV-4	
N870	BM MSA0404 MMIC BROADBAND AMPLIFIER	0822.0075.00	MINI-CIRCU	MAV-4	
N880	BO MC1558JG 2X OPAMP OPERATIONAL AMPLIFIER	BO 0275.0816.00	TEXAS	MC1558JG	
N890	BS TL604CP 2X ANALOGSCH ANALOG SWITCH	BJ 0300.6199.00	TEXAS	TL604CP	
N905	BM MSA0404 MMIC BROADBAND AMPLIFIER	0822.0075.00	MINI-CIRCU	MAV-4	
P1	XX ENTHALTEN IN INCLUDED IN LEITERPLATTE/PCB				
P2	VL WIRE-WRAP PIN L=11,6 WIRE-WRAP PIN	0088.4542.00	DUPONT	CON 75403-003	
P3	XX ENTHALTEN IN INCLUDED IN LEITERPLATTE/PCB				
P5	XX ENTHALTEN IN INCLUDED IN LEITERPLATTE/PCB				
P6 ..23 P24	VL WIRE-WRAP PIN L=11,6 WIRE-WRAP PIN XX ENTHALTEN IN INCLUDED IN LEITERPLATTE/PCB	0088.4542.00	DUPONT	CON 75403-003	
P25 ..30 P31	VL WIRE-WRAP PIN L=11,6 WIRE-WRAP PIN XX ENTHALTEN IN INCLUDED IN LEITERPLATTE/PCB	0088.4542.00	DUPONT	CON 75403-003	
P32	XX ENTHALTEN IN INCLUDED IN LEITERPLATTE/PCB				
P33	VL WIRE-WRAP PIN L=11,6 WIRE-WRAP PIN	0088.4542.00	DUPONT	CON 75403-003	
P35	VL WIRE-WRAP PIN L=11,6 WIRE-WRAP PIN	0088.4542.00	DUPONT	CON 75403-003	
P36 ..38 P40	XX ENTHALTEN IN INCLUDED IN LEITERPLATTE/PCB XX ENTHALTEN IN INCLUDED IN LEITERPLATTE/PCB				
P41	XX ENTHALTEN IN INCLUDED IN LEITERPLATTE/PCB				
P43	VL WIRE-WRAP PIN L=11,6 WIRE-WRAP PIN	0088.4542.00	DUPONT	CON 75403-003	
R2	RG 46,4 OHM+-1%TK100 1206 CHIP RESISTOR	0006.8803.00	DRALORIC	CB 1206 ...	
R3	RL 0,40W 100 OHM2% UNGEW. RESISTOR	RL 0092.5956.00	DRALORIC	SMA 0204	
R4	RG 82,5 OHM+-1%TK100 1206 CHIP RESISTOR	RG 0006.8861.00	PHILIPS_CO	RC02	
R6	RG 46,4 OHM+-1%TK100 1206 CHIP RESISTOR	0006.8803.00	DRALORIC	CB 1206 ...	
R7	RG 1,47KOHM+-1%TK100 1206 CHIP RESISTOR	0006.9980.00	PHILIPS_CO	RC02	
R8	RG 316 OHM+-1%TK100 1206 CHIP RESISTOR	0006.9000.00	ROEDERSTEI	D25	
R12	RG 1,78KOHM+-1%TK100 1206 CHIP RESISTOR	0007.0006.00	DRALORIC	CB 1206 ...	
R13	RG 100 OHM+-1%TK100 1206 CHIP RESISTOR	RG 0006.8884.00	PHILIPS_CO	RC02	
R14	RG 178 OHM+-1%TK100 1206 CHIP RESISTOR	0006.8949.00	PHILIPS_CO	RC02	
R15	RG 178 OHM+-1%TK100 1206 CHIP RESISTOR	0006.8949.00	PHILIPS_CO	RC02	
R16	RG 31,6 OHM+-1%TK100 1206 CHIP RESISTOR	0006.8761.00	DRALORIC	CB 1206 ...	

MEZ15	790 3PLU	Äl	Datum Date	Schaltteilliste für Parts list for	Sachnummer Stock No.	Blatt-Nr. Page
	17	03.05.99	ED AUSGANGSSTUFE 2GHZ OUTPUT-STAGE 2GHZ	0843.4805.01 SA	12+	

095.0026-0693

Für diese Unterlage behalten wir uns alle Rechte vor.

Kennz. Comp. No.	Benennung Designation	Sachnummer Stock No.	Hersteller Manufacturer	Bezeichnung Designation	enthalten in contained in
R20	RG 2,61KOHM+-1%TK100 1206 CHIP RESISTOR	0007.0658.00	DRALORIC	CB 1206 ...	
R21	RL 0,60W 10,0KOHM+-1%TK50 RESISTOR	RL 0083.1297.00	PHILIPS_CO	MRS 25	
R22	RL 0,60W 221 OHM+-1%TK50 RESISTOR	RL 0083.0084.00	PHILIPS_CO	MRS 25	
R23	RL 0,60W22, 10 OHM+-1%TK50 RESISTOR	RL 0082.9188.00	RESISTA	MK2	
R25	RL 0,60W 475 OHM+-1%TK50 RESISTOR	RL 0083.0390.00	PHILIPS_CO	MRS 25	
R30	RG 147 OHM+-1%TK100 1206 CHIP RESISTOR	0006.8926.00	DRALORIC	CB 1206 ...	
R31	RG 30,1 OHM+-1%TK100 1206 RESISTOR CHIP	RG 0007.5514.00	PHILIPS_CO	RCO2	
R32	RG 147 OHM+-1%TK100 1206 CHIP RESISTOR	0006.8926.00	DRALORIC	CB 1206 ...	
R33	RG 26,1KOHM+-1%TK100 1206 CHIP RESISTOR	0007.0958.00	ROEDERSTEI	D25	
R35	RG 383 OHM+-1%TK100 1206 CHIP RESISTOR	0006.9022.00	ROEDERSTEI	D25	
R36	RG 383 OHM+-1%TK100 1206 CHIP RESISTOR	0006.9022.00	ROEDERSTEI	D25	
R37	RG 464 OHM+-1%TK100 1206 CHIP RESISTOR	0006.9045.00	DRALORIC	CB 1206 ...	
R38	RG 464 OHM+-1%TK100 1206 CHIP RESISTOR	0006.9045.00	DRALORIC	CB 1206 ...	
R39	RG 12,1 OHM+-1%TK100 1206 CHIP RESISTOR	RG 0006.8661.00	PHILIPS_CO	RCO2	
R41	RG 825 OHM+-1%TK100 1206 CHIP RESISTOR	RG 0006.7259.00	PHILIPS_CO	RCO2	
R45	RL 0,60W 1KOHM+-1%TK50 RESISTOR	RL 0082.2160.00	PHILIPS_CO	MRS 25	
R46	RG 825 OHM+-1%TK100 1206 CHIP RESISTOR	RG 0006.7259.00	PHILIPS_CO	RCO2	
R51	RG 1,47KOHM+-1%TK100 1206 CHIP RESISTOR	0006.9980.00	PHILIPS_CO	RCO2	
R52	RL 0,60W 825 OHM+-1%TK50 RESISTOR	RL 0082.2502.00	RESISTA	MK2	
R53	RL 0,60W 825 OHM+-1%TK50 RESISTOR	RL 0082.2502.00	RESISTA	MK2	
R59	RG 825 OHM+-1%TK100 1206 CHIP RESISTOR	RG 0006.7259.00	PHILIPS_CO	RCO2	
R60	RG 10,0KOHM+-1%TK100 1206 RG CHIP RESISTOR	RG 0007.0793.00	PHILIPS_CO	RCO2	
R63	RG 178 OHM+-1%TK100 1206 CHIP RESISTOR	0006.8949.00	PHILIPS_CO	RCO2	
R64	RG 178 OHM+-1%TK100 1206 CHIP RESISTOR	0006.8949.00	PHILIPS_CO	RCO2	
R65	RG 31,6 OHM+-1%TK100 1206 CHIP RESISTOR	0006.8761.00	DRALORIC	CB 1206 ...	
R66	RG 825 OHM+-1%TK100 1206 CHIP RESISTOR	RG 0006.7259.00	PHILIPS_CO	RCO2	
R67	RG 316 OHM+-1%TK100 1206 CHIP RESISTOR	0006.9000.00	ROEDERSTEI	D25	
R68	RG 1,47KOHM+-1%TK100 1206 CHIP RESISTOR	0006.9980.00	PHILIPS_CO	RCO2	
R71	RG 100 OHM+-1%TK100 1206 CHIP RESISTOR	RG 0006.8884.00	PHILIPS_CO	RCO2	
R72	RG 46,4 OHM+-1%TK100 1206 CHIP RESISTOR	0006.8803.00	DRALORIC	CB 1206 ...	
R73	RG 100 OHM+-1%TK100 1206 CHIP RESISTOR	RG 0006.8884.00	PHILIPS_CO	RCO2	
R74	RG 100 OHM+-1%TK100 1206 CHIP RESISTOR	RG 0006.8884.00	PHILIPS_CO	RCO2	
R75	RL 0,60W 47,5KOHM+-1%TK50 RESISTOR	RL 0083.1800.00	RESISTA	MK2	
R76	RG 147 OHM+-1%TK100 1206 CHIP RESISTOR	0006.8926.00	DRALORIC	CB 1206 ...	
R93	RG 7,5KOHM+-1%TK100 1206 RG CHIP RESISTOR	RG 0007.0764.00	PHILIPS_CO	RCO2	
R94	RG 8,25KOHM+-1%TK100 1206 CHIP RESISTOR	RG 0007.0770.00	PHILIPS_CO	RCO2	
R95	RG 14,7KOHM+-1%TK100 1206 CHIP RESISTOR	0007.0864.00	DRALORIC	CB 1206 ...	
R97	RG 178 OHM+-1%TK100 1206 CHIP RESISTOR	0006.8949.00	PHILIPS_CO	RCO2	
R99	RG 7,5KOHM+-1%TK100 1206 RG CHIP RESISTOR	RG 0007.0764.00	PHILIPS_CO	RCO2	


MEZ15	790 3PLU	ÄI	Datum Date	Schaltteilliste für Parts list for	Sachnummer Stock No.	Blatt-Nr. Page
		17	03.05.99	ED AUSGANGSSTUFE 2GHZ OUTPUT-STAGE 2GHZ	0843.4805.01 SA	13+

095.0026-0693

Kennz. Comp. No.	Benennung Designation	Sachnummer Stock No.	Hersteller Manufacturer	Bezeichnung Designation	enthalten in contained in
R100	RG 14,7KOHM+-1%TK100 1206 CHIP RESISTOR	0007.0864.00	DRALORIC	CB 1206 ...	
R101	RG 8,25KOHM+-1%TK100 1206 CHIP RESISTOR	RG 0007.0770.00	PHILIPS_CO	RC02	
R111	RG 2,61KOHM+-1%TK100 1206 CHIP RESISTOR	0007.0658.00	DRALORIC	CB 1206 ...	
R112	RG 46,4 OHM+-1%TK100 1206 CHIP RESISTOR	0006.8803.00	DRALORIC	CB 1206 ...	
R113	RL 0,40W 47 OHM2% UNGEW. RESISTOR	RL 0092.5910.00	DRALORIC	SMA 0204	
R114	RG 46,4 OHM+-1%TK100 1206 CHIP RESISTOR	0006.8803.00	DRALORIC	CB 1206 ...	
R115	RL 0,60W 182 OHM+-1%TK50 RESISTOR	RL 0083.0010.00	RESISTA	MK2	
R116	RL 0,60W 33,2 OHM+-1%TK50 RESISTOR	RL 0082.9359.00	PHILIPS_CO	MRS 25	
R117	RL 0,60W 10,0KOHM+-1%TK50 RESISTOR	RL 0083.1297.00	PHILIPS_CO	MRS 25	
R118	RL 0,60W 1KOHM+-1%TK50 RESISTOR	RL 0082.2160.00	PHILIPS_CO	MRS 25	
R119	RG 100 OHM+-1%TK100 1206 CHIP RESISTOR	RG 0006.8884.00	PHILIPS_CO	RC02	
R130	RG 2,61KOHM+-1%TK100 1206 CHIP RESISTOR	0007.0658.00	DRALORIC	CB 1206 ...	
R132	RG 38,3 OHM+-1%TK100 1206 CHIP RESISTOR	0006.8784.00	DRALORIC	CB 1206 ...	
R134	RG 10,0 OHM+-1%TK100 1206 CHIP -RESISTOR	RG 0006.8649.00	PHILIPS_CO	RC02	
R135	RG 10,0 OHM+-1%TK100 1206 CHIP -RESISTOR	RG 0006.8649.00	PHILIPS_CO	RC02	
R136	RG 562 OHM+-1%TK100 1206 CHIP RESISTOR	RG 0006.9068.00	PHILIPS_CO	RC02	
R138	RG 10,0 OHM+-1%TK100 1206 CHIP -RESISTOR	RG 0006.8649.00	PHILIPS_CO	RC02	
R139	RG 562 OHM+-1%TK100 1206 CHIP RESISTOR	RG 0006.9068.00	PHILIPS_CO	RC02	
R140	RG 42,2 OHM+-1%TK100 1206 CHIP RESISTOR	0006.8790.00	DRALORIC	CB 1206 ...	
R141	RL 0,60W 68,1 OHM+-1%TK50 RESISTOR	RL 0082.9636.00	RESISTA	MK2	
R143	RL 0,60W 47,5 OHM+-1%TK50 RESISTOR	RL 0082.9507.00	RESISTA	MK2	
R144	RL 0,60W 2,43KOHM+-1%TK50 RESISTOR	RL 0083.0884.00	RESISTA	MK2	
R145	RL 0,60W 10,0KOHM+-1%TK50 RESISTOR	RL 0083.1297.00	PHILIPS_CO	MRS 25	
R149	RG 178 OHM+-1%TK100 1206 CHIP RESISTOR	0006.8949.00	PHILIPS_CO	RC02	
R150	RL 0,60W 4,75KOHM+-1%TK50 RESISTOR	RL 0083.1097.00	PHILIPS_CO	MRS 25	
R151	RL 0,60W 22,1KOHM+-1%TK50 RESISTOR	RL 0083.1545.00	RESISTA	MK2	
R153	RL 0,60W 4,75KOHM+-1%TK50 RESISTOR	RL 0083.1097.00	PHILIPS_CO	MRS 25	
R154	RL 0,60W 10,0KOHM+-1%TK50 RESISTOR	RL 0083.1297.00	PHILIPS_CO	MRS 25	
R200	RG 464 OHM+-1%TK100 1206 CHIP RESISTOR	0006.9045.00	DRALORIC	CB 1206 ...	
R201	RG 1,0 KO +-1%TK100 1206 CHIP RESISTOR	RG 0006.7271.00	PHILIPS_CO	RC02	
R205	RG 10,0 OHM+-1%TK100 1206 CHIP -RESISTOR	RG 0006.8649.00	PHILIPS_CO	RC02	
R209	RG 511 OHM+-1%TK100 1206 CHIP RESISTOR	RG 0006.9051.00	PHILIPS_CO	RC02	
R210	RG 464 OHM+-1%TK100 1206 CHIP RESISTOR	0006.9045.00	DRALORIC	CB 1206 ...	
R219	RG 511 OHM+-1%TK100 1206 CHIP RESISTOR	RG 0006.9051.00	PHILIPS_CO	RC02	
R221	RG 1,78KOHM+-1%TK100 1206 CHIP RESISTOR	0007.0006.00	DRALORIC	CB 1206 ...	
R222	RG 825 OHM+-1%TK100 1206 CHIP RESISTOR	RG 0006.7259.00	PHILIPS_CO	RC02	
R224	RG 825 OHM+-1%TK100 1206 CHIP RESISTOR	RG 0006.7259.00	PHILIPS_CO	RC02	
R225	RG 825 OHM+-1%TK100 1206 CHIP RESISTOR	RG 0006.7259.00	PHILIPS_CO	RC02	
R227	RG 1,47KOHM+-1%TK100 1206 CHIP RESISTOR	0006.9980.00	PHILIPS_CO	RC02	


wir uns alle Rechte vor.

095.0026-0693

MEZ 15	790 3PLU	Äi	Datum Date	Schaltteilliste für Parts list for	Sachnummer Stock No.	Blatt-Nr. Page
	17	03.05.99	ED AUSGANGSSTUFE 2GHZ OUTPUT-STAGE 2GHZ	0843.4805.01 SA	14+	

Für diese Unterlage behalten wir uns alle Rechte vor.


Kennz. Comp. No.	Benennung Designation	Sachnummer Stock No.	Hersteller Manufacturer	Bezeichnung Designation	enthalten in contained in
R228	RG 464 OHM+-1%TK100 1206 CHIP RESISTOR	0006.9045.00	DRALORIC	CB 1206 ...	
R229	RG 1,21KOHM+-1%TK100 1206 CHIP RESISTOR	RG 0006.9968.00	PHILIPS_CO	RC02	
R237	RG 1,47KOHM+-1%TK100 1206 CHIP RESISTOR	0006.9980.00	PHILIPS_CO	RC02	
R247	RG 1,47KOHM+-1%TK100 1206 CHIP RESISTOR	0006.9980.00	PHILIPS_CO	RC02	
R260	RG 825 OHM+-1%TK100 1206 CHIP RESISTOR	RG 0006.7259.00	PHILIPS_CO	RC02	
R261	RG 825 OHM+-1%TK100 1206 CHIP RESISTOR	RG 0006.7259.00	PHILIPS_CO	RC02	
R262	RG 1,47KOHM+-1%TK100 1206 CHIP RESISTOR	0006.9980.00	PHILIPS_CO	RC02	
R263	RG 1,0 KO +-1%TK100 1206 CHIP RESISTOR	RG 0006.7271.00	PHILIPS_CO	RC02	
R265	RG 1,0 KO +-1%TK100 1206 CHIP RESISTOR	RG 0006.7271.00	PHILIPS_CO	RC02	
R266	RG 178 OHM+-1%TK100 1206 CHIP RESISTOR	0006.8949.00	PHILIPS_CO	RC02	
R270	RG 422 OHM+-1%TK100 1206 CHIP RESISTOR	0006.9039.00	DRALORIC	CB 1206 ...	
R271	RG 422 OHM+-1%TK100 1206 CHIP RESISTOR	0006.9039.00	DRALORIC	CB 1206 ...	
R272	RG 825 OHM+-1%TK100 1206 CHIP RESISTOR	RG 0006.7259.00	PHILIPS_CO	RC02	
R274	RG 825 OHM+-1%TK100 1206 CHIP RESISTOR	RG 0006.7259.00	PHILIPS_CO	RC02	
R300	RG 1,47KOHM+-1%TK100 1206 CHIP RESISTOR	0006.9980.00	PHILIPS_CO	RC02	
R306	RG 1,47KOHM+-1%TK100 1206 CHIP RESISTOR	0006.9980.00	PHILIPS_CO	RC02	
R317	RG 1,21KOHM+-1%TK100 1206 CHIP RESISTOR	RG 0006.9968.00	PHILIPS_CO	RC02	
R318	RG 464 OHM+-1%TK100 1206 CHIP RESISTOR	0006.9045.00	DRALORIC	CB 1206 ...	
R326	RG 1,47KOHM+-1%TK100 1206 CHIP RESISTOR	0006.9980.00	PHILIPS_CO	RC02	
R346	RG 1,47KOHM+-1%TK100 1206 CHIP RESISTOR	0006.9980.00	PHILIPS_CO	RC02	
R348	RG 1,47KOHM+-1%TK100 1206 CHIP RESISTOR	0006.9980.00	PHILIPS_CO	RC02	
R350	RL 0,60W 681 OHM+-1%TK50 RESISTOR	RL 0083.0490.00	RESISTA	MK2	
R351	RL 0,60W 681 OHM+-1%TK50 RESISTOR	RL 0083.0490.00	RESISTA	MK2	
R352	RL 0,60W 681 OHM+-1%TK50 RESISTOR	RL 0083.0490.00	RESISTA	MK2	
R365	RL 0,60W 10,0KOHM+-1%TK50 RESISTOR	RL 0083.1297.00	PHILIPS_CO	MRS 25	
R366	RL 0,60W 1,50KOHM+-1%TK50 RESISTOR	RL 0083.0732.00	PHILIPS_CO	MRS 25	
R450	RL 0,60W 4,75KOHM+-1%TK50 RESISTOR	RL 0083.1097.00	PHILIPS_CO	MRS 25	
R461	RL 0-OHM-WIDERST. 0204 O-OHM RESISTOR	RL 0069.0000.00	DRALORIC	DMA 0204	
R463	RL 0,60W 10,0KOHM+-1%TK50 RESISTOR	RL 0083.1297.00	PHILIPS_CO	MRS 25	
R464	RL 0,60W 10,0KOHM+-1%TK50 RESISTOR	RL 0083.1297.00	PHILIPS_CO	MRS 25	
R466	RL 0,60W 2,00KOHM+-1%TK50 RESISTOR	RL 0083.0826.00	RESISTA	MK2	
R472	RL 0,60W 8,25KOHM+-1%TK50 RESISTOR	RL 0083.1239.00	RESISTA	MK2	
R473	RL 0,60W 18,2KOHM+-1%TK50 RESISTOR	RL 0083.1480.00	PHILIPS_CO	MRS 25	
R474	RL 0,60W 4,75KOHM+-1%TK50 RESISTOR	RL 0083.1097.00	PHILIPS_CO	MRS 25	
R500	RL 0,60W 100KOHM+-1%TK50 RESISTOR	RL 0082.1764.00	RESISTA	MK2	
R501	RL 0,60W 5,62KOHM+-1%TK50 RESISTOR	RL 0082.2190.00	PHILIPS_CO	MRS 25	
R502	RL 0,60W 6,81KOHM+-1%TK50 RESISTOR	RL 0082.2560.00	RESISTA	MK2	
R503	RS 0,5W5KOHM+-10%10X10X5 CERMET POTENTIOMETER T	RS 0247.7890.00	BI_TECHNOL	72PM	
R510	RL 0,60W 4,75KOHM+-1%TK50 RESISTOR	RL 0083.1097.00	PHILIPS_CO	MRS 25	

MEZ15	790 3PLU	ÄI	Datum Date	Schaltteilliste für Parts list for	Sachnummer Stock No.	Blatt-Nr. Page
		17	03.05.99	ED AUSGANGSSTUFE 2GHZ OUTPUT-STAGE 2GHZ	0843.4805.01 SA	15+

095.0026-0693

wir uns alle Rechte vor.


Kennz. Comp. No.	Benennung Designation	Sachnummer Stock No.	Hersteller Manufacturer	Bezeichnung Designation	enthalten in contained in
R511	RL 0,60W 10,0KOHM+-1%TK50 RESISTOR	RL 0083.1297.00	PHILIPS_CO	MRS 25	
R512	RL 0,60W 10,0KOHM+-1%TK50 RESISTOR	RL 0083.1297.00	PHILIPS_CO	MRS 25	
R513	RL 0,60W 18,2KOHM+-1%TK50 RESISTOR	RL 0083.1480.00	PHILIPS_CO	MRS 25	
R514	RS 0,5W10KOHM+-10%10X10X5 CERMET POTENTIOMETER T	RS 0247.7903.00	BI_TECHNOL	72PM	
R515	RL 0,60W 1KOHM+-1%TK50 RESISTOR	RL 0082.2160.00	PHILIPS_CO	MRS 25	
R516	RL 0,60W 10,0KOHM+-1%TK50 RESISTOR	RL 0083.1297.00	PHILIPS_CO	MRS 25	
R521	RL 0,60W 2,21KOHM+-1%TK50 RESISTOR	RL 0082.2477.00	RESISTA	MK2	
R523	RL 0,60W 1KOHM+-1%TK50 RESISTOR	RL 0082.2160.00	PHILIPS_CO	MRS 25	
R524	RL 0,60W 1KOHM+-1%TK50 RESISTOR	RL 0082.2160.00	PHILIPS_CO	MRS 25	
R525	RL 0,60W 2,74KOHM+-1%TK50 RESISTOR	RL 0083.0926.00	PHILIPS_CO	MRS 25	
R525	NUR VAR/ONLY MOD: 02 04 RL 0,60W 1KOHM+-1%TK50 RESISTOR	RL 0082.2160.00	PHILIPS_CO	MRS 25	
R560	NUR VAR/ONLY MOD: 06 RL 0,60W 3,92KOHM+-1%TK50 RESISTOR	RL 0083.1039.00	PHILIPS_CO	MRS 25	
R603	RG 1,21KOHM+-1%TK100 1206 CHIP RESISTOR	RG 0006.9968.00	PHILIPS_CO	RC02	
R604	RG 38,3 OHM+-1%TK100 1206 CHIP RESISTOR	0006.8784.00	DRALORIC	CB 1206 ...	
R605	RL 0,60W 1,50KOHM+-1%TK50 RESISTOR	RL 0083.0732.00	PHILIPS_CO	MRS 25	
R606	RG 681 OHM+-1%TK100 1206 CHIP RESISTOR	RG 0006.9080.00	PHILIPS_CO	RC02	
R606	NUR VAR/ONLY MOD: 02 04 RG 464 OHM+-1%TK100 1206 CHIP RESISTOR	0006.9045.00	DRALORIC	CB 1206 ...	
R610	NUR VAR/ONLY MOD: 06 RG 10,0 OHM+-1%TK100 1206 CHIP -RESISTOR	RG 0006.8649.00	PHILIPS_CO	RC02	
R611	RG 10,0 OHM+-1%TK100 1206 CHIP -RESISTOR	RG 0006.8649.00	PHILIPS_CO	RC02	
R612	RG 19,6KOHM+-1%TK100 1206 CHIP RESISTOR	0007.0893.00	PHILIPS_CO	RC02	
R613	RG 10,0 OHM+-1%TK100 1206 CHIP -RESISTOR	RG 0006.8649.00	PHILIPS_CO	RC02	
R614	RL 0,60W 100KOHM+-1%TK50 RESISTOR	RL 0082.1764.00	RESISTA	MK2	
R615	RG 1,0 KO +-1%TK100 1206 CHIP RESISTOR	RG 0006.7271.00	PHILIPS_CO	RC02	
R616	RL 0,40W 100 OHM2% UNGEW. RESISTOR	RL 0092.5956.00	DRALORIC	SMA 0204	
R617	RL 0,60W 681 KOHM+-1%TK50 RESISTOR	RL 0083.2735.00	PHILIPS_CO	MRS 25	
R618	RG 82,5 OHM+-1%TK100 1206 CHIP RESISTOR	RG 0006.8861.00	PHILIPS_CO	RC02	
R618	NUR VAR/ONLY MOD: 02 04 RG 75,0 OHM+-1%TK100 1206 CHIP RESISTOR	RG 0006.8855.00	PHILIPS_CO	RC02	
R619	NUR VAR/ONLY MOD: 06 RG 100 OHM+-1%TK100 1206 CHIP RESISTOR	RG 0006.8884.00	PHILIPS_CO	RC02	
R619	NUR VAR/ONLY MOD: 02 04 RG 121 OHM+-1%TK100 1206 CHIP RESISTOR	RG 0006.8903.00	PHILIPS_CO	RC02	
R620	NUR VAR/ONLY MOD: 06 RG 82,5 OHM+-1%TK100 1206 CHIP RESISTOR	RG 0006.8861.00	PHILIPS_CO	RC02	
R620	NUR VAR/ONLY MOD: 02 04 RG 75,0 OHM+-1%TK100 1206 CHIP RESISTOR	RG 0006.8855.00	PHILIPS_CO	RC02	
R621	NUR VAR/ONLY MOD: 06 RL 0,60W 10,0KOHM+-1%TK50 RESISTOR	RL 0083.1297.00	PHILIPS_CO	MRS 25	
R622	RL 0,60W 1,30KOHM+-1%TK50 RESISTOR	RL 0083.0678.00	RESISTA	MK2	
	NUR VAR/ONLY MOD: 02 04				

MEZ15	790 3PLU	Äi	Datum Date	Schaltteilliste für Parts list for	Sachnummer Stock No.	Blatt-Nr. Page
		17	03.05.99	ED AUSGANGSSTUFE 2GHZ OUTPUT-STAGE 2GHZ	0843.4805.01 SA	16+

095.0026-0693

Für diese Unterlage behalten wir uns alle Rechte vor.

Kennz. Comp. No.	Benennung Designation	Sachnummer Stock No.	Hersteller Manufacturer	Bezeichnung Designation	enthalten in contained in
R622	RL 0,60W 1KOHM+-1%TK50 RESISTOR NUR VAR/ONLY MOD: 06	RL 0082.2160.00	PHILIPS_CO	MRS 25	
R623	RD 0,8W 100 OHM+-1% WIRE WOUND RESISTOR	RD 0082.6420.00	DRALORIC	RS-1A...	
R624	RL 0,60W22,10 OHM+-1%TK50 RESISTOR	RL 0082.9188.00	RESISTA	MK2	
R625	RG 422 OHM+-1%TK100 1206 CHIP RESISTOR	0006.9039.00	DRALORIC	CB 1206 ...	
R626	RG 100 OHM+-1%TK100 1206 CHIP RESISTOR	RG 0006.8884.00	PHILIPS_CO	RCO2	
R627	RG 68,1 OHM+-1%TK100 1206 CHIP RESISTOR	RG 0006.8849.00	PHILIPS_CO	RCO2	
R633	RG 46,4 OHM+-1%TK100 1206 CHIP RESISTOR	0006.8803.00	DRALORIC	CB 1206 ...	
R640	RG 681 OHM+-1%TK100 1206 CHIP RESISTOR	RG 0006.9080.00	PHILIPS_CO	RCO2	
R641	RS 0,5W200 OHM+-10%10X10X CERMET POTENTIOMETER T NUR VAR/ONLY MOD: 02 04	RS 0087.7554.00	BI_TECHNOL	72PM	
R641	RS 0,5W100 OHM+-10%10X10X CERMET POTENTIOMETER T NUR VAR/ONLY MOD: 06	RS 0247.7984.00	BI_TECHNOL	72PM	
R642	RG 34,8 OHM+-1%TK100 1206 CHIP RESISTOR	0006.8778.00	ROEDERSTEI	D25	
R643	RG 464 OHM+-1%TK100 1206 CHIP RESISTOR	0006.9045.00	DRALORIC	CB 1206 ...	
R644	RG 178 OHM+-1%TK100 1206 CHIP RESISTOR	0006.8949.00	PHILIPS_CO	RCO2	
R645	RG 178 OHM+-1%TK100 1206 CHIP RESISTOR	0006.8949.00	PHILIPS_CO	RCO2	
R646	RG 46,4 OHM+-1%TK100 1206 CHIP RESISTOR	0006.8803.00	DRALORIC	CB 1206 ...	
R647	RG 10,0 OHM+-1%TK100 1206 CHIP -RESISTOR	RG 0006.8649.00	PHILIPS_CO	RCO2	
R653	RG 46,4 OHM+-1%TK100 1206 CHIP RESISTOR	0006.8803.00	DRALORIC	CB 1206 ...	
R660	RL 0,60W 681 KOHM+-1%TK50 RESISTOR	RL 0083.2735.00	PHILIPS_CO	MRS 25	
R662	RL 0,60W 2,74KOHM+-1%TK50 RESISTOR	RL 0083.0926.00	PHILIPS_CO	MRS 25	
R663	RS 0,5W100KOHM+-10%10X10X CERMET POTENTIOMETER T	RS 0087.7583.00	BOURNS	3386F	
R664	RL 0,60W 100 OHM+-1%TK50 RESISTOR	RL 0082.6543.00	PHILIPS_CO	MRS 25	
R665	RL 0,60W 681 KOHM+-1%TK50 RESISTOR	RL 0083.2735.00	PHILIPS_CO	MRS 25	
R667	RL 0,60W 4,75KOHM+-1%TK50 RESISTOR	RL 0083.1097.00	PHILIPS_CO	MRS 25	
R668	RL 0,60W 15,0KOHM+-1%TK50 RESISTOR	RL 0083.1400.00	RESISTA	MK2	
R669	RL 0,60W 22,1KOHM+-1%TK50 RESISTOR	RL 0083.1545.00	RESISTA	MK2	
R670	RG 38,3 OHM+-1%TK100 1206 CHIP RESISTOR	0006.8784.00	DRALORIC	CB 1206 ...	
R671	RG 12,1 OHM+-1%TK100 1206 CHIP RESISTOR	RG 0006.8661.00	PHILIPS_CO	RCO2	
R672	RG 12,1 OHM+-1%TK100 1206 CHIP RESISTOR	RG 0006.8661.00	PHILIPS_CO	RCO2	
R673	RG 511 OHM+-1%TK100 1206 CHIP RESISTOR	RG 0006.9051.00	PHILIPS_CO	RCO2	
R673	NUR VAR/ONLY MOD: 02 04 RG 562 OHM+-1%TK100 1206 CHIP RESISTOR	RG 0006.9068.00	PHILIPS_CO	RCO2	
R674	NUR VAR/ONLY MOD: 06 RL 0,60W 18,2KOHM+-1%TK50 RESISTOR	RL 0083.1480.00	PHILIPS_CO	MRS 25	
R676	RL 0,60W 150 OHM+-1%TK50 RESISTOR	RL 0082.9942.00	RESISTA	MK2	
R750	RG 1,0 KO +-1%TK100 1206 CHIP RESISTOR	RG 0006.7271.00	PHILIPS_CO	RCO2	
R760	RG 1,0 KO +-1%TK100 1206 CHIP RESISTOR	RG 0006.7271.00	PHILIPS_CO	RCO2	
R770	RG 1,0 KO +-1%TK100 1206 CHIP RESISTOR	RG 0006.7271.00	PHILIPS_CO	RCO2	
R780	RG 1,0 KO +-1%TK100 1206 CHIP RESISTOR	RG 0006.7271.00	PHILIPS_CO	RCO2	


MEZ15	790 3PLU	Äi	Datum Date	Schaltteilliste für Parts list for	Sachnummer Stock No.	Blatt-Nr. Page
	ROHDE & SCHWARZ	17	03.05.99	ED AUSGANGSSTUFE 2GHZ OUTPUT-STAGE 2GHZ	0843.4805.01 SA	17+

095.0026-0693

Wir uns alle Rechte vor.


Kennz. Comp. No.	Benennung Designation	Sachnummer Stock No.	Hersteller Manufacturer	Bezeichnung Designation	enthalten in contained in
R790	RL 0,60W 1MOHM+-1%TK50 RESISTOR	RL 0082.7862.00	RESISTA	MK2	
R792	RG 1,0 KO +-1%TK100 1206 CHIP RESISTOR	RG 0006.7271.00	PHILIPS_CO	RC02	
R800	RG 825 OHM+-1%TK100 1206 CHIP RESISTOR	RG 0006.7259.00	PHILIPS_CO	RC02	
R801	RL 0,60W 1,50KOHM+-1%TK50 RESISTOR	RL 0083.0732.00	PHILIPS_CO	MRS 25	
R802	RL 0,60W 10,0KOHM+-1%TK50 RESISTOR	RL 0083.1297.00	PHILIPS_CO	MRS 25	
R803	RG 38,3 OHM+-1%TK100 1206 CHIP RESISTOR	0006.8784.00	DRALORIC	CB 1206 ...	
R804	RL 0,60W 47,5 OHM+-1%TK50 RESISTOR	RL 0082.9507.00	RESISTA	MK2	
R805	RG 110 OHM+-1%TK100 1206 CHIP RESISTOR	RG 0006.8890.00	PHILIPS_CO	RC02	
R806	RG 2,61KOHM+-1%TK100 1206 CHIP RESISTOR	0007.0658.00	DRALORIC	CB 1206 ...	
R807	RG 178 OHM+-1%TK100 1206 CHIP RESISTOR	0006.8949.00	PHILIPS_CO	RC02	
R810	RG 10,0 OHM+-1%TK100 1206 CHIP -RESISTOR	RG 0006.8649.00	PHILIPS_CO	RC02	
R811	RG 10,0 OHM+-1%TK100 1206 CHIP -RESISTOR	RG 0006.8649.00	PHILIPS_CO	RC02	
R812	RG 10,0 OHM+-1%TK100 1206 CHIP -RESISTOR	RG 0006.8649.00	PHILIPS_CO	RC02	
R822	RL 0,40W 470 OHM2% UNGEW. RESISTOR	RL 0092.6030.00	DRALORIC	SMA 0204	
R823	RL 0,40W 470 OHM2% UNGEW. RESISTOR	RL 0092.6030.00	DRALORIC	SMA 0204	
R824	RL 0,40W 10,0KOHM+-1%TK50 RESISTOR	RL 0092.1567.00	DRALORIC	SMA0204	
R825	RG 2,61KOHM+-1%TK100 1206 CHIP RESISTOR	0007.0658.00	DRALORIC	CB 1206 ...	
R826	RG 511 OHM+-1%TK100 1206 CHIP RESISTOR	RG 0006.9051.00	PHILIPS_CO	RC02	
R829	RL 0,40W 4,75KOHM+-1%TK50 RESISTOR	RL 0092.1521.00	RESISTA	MK1	
R832	RL 0,40W 470 OHM2% UNGEW. RESISTOR	RL 0092.6030.00	DRALORIC	SMA 0204	
R833	RL 0,40W 470 OHM2% UNGEW. RESISTOR	RL 0092.6030.00	DRALORIC	SMA 0204	
R834	RL 0,40W 4,75KOHM+-1%TK50 RESISTOR	RL 0092.1521.00	RESISTA	MK1	
R839	RL 0,40W 10,0KOHM+-1%TK50 RESISTOR	RL 0092.1567.00	DRALORIC	SMA0204	
R840	RG 2,61KOHM+-1%TK100 1206 CHIP RESISTOR	0007.0658.00	DRALORIC	CB 1206 ...	
R841	RG 511 OHM+-1%TK100 1206 CHIP RESISTOR	RG 0006.9051.00	PHILIPS_CO	RC02	
R850	RG 178 OHM+-1%TK100 1206 CHIP RESISTOR	0006.8949.00	PHILIPS_CO	RC02	
R851	RG 178 OHM+-1%TK100 1206 CHIP RESISTOR	0006.8949.00	PHILIPS_CO	RC02	
R860	RL 0,40W 470 OHM2% UNGEW. RESISTOR	RL 0092.6030.00	DRALORIC	SMA 0204	
R861	RL 0,40W 470 OHM2% UNGEW. RESISTOR	RL 0092.6030.00	DRALORIC	SMA 0204	
R862	RG 90,9 OHM+-1%TK100 1206 CHIP RESISTOR NUR VAR/ONLY MOD: 04 06	RG 0006.8878.00	PHILIPS_CO	RC02	
R862	RG 215 OHM+-1%TK100 1206 CHIP RESISTOR NUR VAR/ONLY MOD: 02	0006.8961.00	ROEDERSTEI	D25	
R863	RG 82,5 OHM+-1%TK100 1206 CHIP RESISTOR NUR VAR/ONLY MOD: 04 06	RG 0006.8861.00	PHILIPS_CO	RC02	
R863	RG 23,7OHM+-1%TK100 1206 CHIP RESISTOR NUR VAR/ONLY MOD: 02	0006.8732.00	DRALORIC	CB 1206 ...	
R864	RG 90,9 OHM+-1%TK100 1206 CHIP RESISTOR NUR VAR/ONLY MOD: 04 06	RG 0006.8878.00	PHILIPS_CO	RC02	
R864	RG 215 OHM+-1%TK100 1206 CHIP RESISTOR NUR VAR/ONLY MOD: 02	0006.8961.00	ROEDERSTEI	D25	
R870	RL 0,40W 470 OHM2% UNGEW. RESISTOR	RL 0092.6030.00	DRALORIC	SMA 0204	

095.0026-0693

MEZ15	790 3PLU	Äi	Datum Date	Schaltteilliste für Parts list for	Sachnummer Stock No.	Blatt-Nr. Page
	17	03.05.99	ED AUSGANGSSTUFE 2GHZ OUTPUT-STAGE 2GHZ	0843.4805.01 SA	18+	

Für diese Unterlage behalten wir uns alle Rechte vor.


Kennz. Comp. No.	Benennung Designation	Sachnummer Stock No.	Hersteller Manufacturer	Bezeichnung Designation	enthalten in contained in
R871	RL 0,40W 470 OHM2% UNGEW. RESISTOR	RL 0092.6030.00	DRALORIC	SMA 0204	
R880	RG 825 OHM+-1%TK100 1206 CHIP RESISTOR	RG 0006.7259.00	PHILIPS_CO	RC02	
R882	RL 0,60W 10,0KOHM+-1%TK50 RESISTOR	RL 0083.1297.00	PHILIPS_CO	MRS 25	
R890	RL 0,60W 4,12KOHM+-1%TK50 RESISTOR	RL 0083.1051.00	RESISTA	MK2	
R891	RL 0,60W 6,04KOHM+-1%TK50 RESISTOR	RL 0082.6089.00	RESISTA	MK2	
R903	RG 2,21KOHM+-1%TK100 1206 RESISTOR CHIP	RG 0007.5743.00	PHILIPS_CO	RC02	
R908	RL 0,60W 100 OHM+-1%TK50 RESISTOR	RL 0082.6543.00	PHILIPS_CO	MRS 25	
R909	RL 0,60W 100 OHM+-1%TK50 RESISTOR	RL 0082.6543.00	PHILIPS_CO	MRS 25	
R914	RG 681 OHM+-1%TK100 1206 CHIP RESISTOR	RG 0006.9080.00	PHILIPS_CO	RC02	
R915	RG 332 OHM+-1%TK100 1206 RESISTOR CHIP	RG 0007.5650.00	PHILIPS_CO	RC02	
R920	RL 0,60W 1KOHM+-1%TK50 RESISTOR	RL 0082.2160.00	PHILIPS_CO	MRS 25	
R921	RL 0,60W 301 OHM+-1%TK50 RESISTOR	RL 0083.0210.00	RESISTA	MK2	
R922	RL 0,60W 1KOHM+-1%TK50 RESISTOR	RL 0082.2160.00	PHILIPS_CO	MRS 25	
R923	RL 0,60W 1KOHM+-1%TK50 RESISTOR	RL 0082.2160.00	PHILIPS_CO	MRS 25	
R926	RL 0,60W 392 OHM+-1%TK50 RESISTOR	RL 0082.2183.00	RESISTA	MK2	
R927	RL 0,60W 1KOHM+-1%TK50 RESISTOR	RL 0082.2160.00	PHILIPS_CO	MRS 25	
R929	RL 0,60W 301 OHM+-1%TK50 RESISTOR	RL 0083.0210.00	RESISTA	MK2	
T38	LU UEBERTRAGER TRANSFORMER	0801.6416.00			0843.4870.00
T812	DW UEBERTRAGER DOUBLER	0843.3244.00			
U630	BM SRA1 MIXER 0.5GHZ MIXER	BM 0207.3465.00	MINI-CIRCU	SRA1	
V5	AK NE85637 N 12V 100MA TRANSISTOR	0801.8231.00	NEC	NE85637(2SC3358)	
V7	AD BAV99 75V DUO UDI HIGH-SPEED DOUBLE DIODE	AD 0911.0092.00	VALVO	BAV99	
V10	AD BAV99 75V DUO UDI HIGH-SPEED DOUBLE DIODE	AD 0911.0092.00	VALVO	BAV99	
V11	AD BAV99 75V DUO UDI HIGH-SPEED DOUBLE DIODE	AD 0911.0092.00	VALVO	BAV99	
V20	AK BC253C P 25V 100MA PNP TRANSISTOR	0010.2829.00	ITT-SEMICO	BC559C	
V22	AD 1N4448 75V UDI DIODE	AD 0012.0700.00	PHILIPS_SE	1N4448 "	
V33	AD 1N4448 75V UDI DIODE	AD 0012.0700.00	PHILIPS_SE	1N4448 "	
V40	AE BA483 BER.SCH.DI.UHF DIODE	AE 0568.2290.00	VALVO	BA483	
V42	AE BA483 BER.SCH.DI.UHF DIODE	AE 0568.2290.00	VALVO	BA483	
V43	AE BA483 BER.SCH.DI.UHF DIODE	AE 0568.2290.00	VALVO	BA483	
V44	AE BA483 BER.SCH.DI.UHF DIODE	AE 0568.2290.00	VALVO	BA483	
V46	AE BA483 BER.SCH.DI.UHF DIODE	AE 0568.2290.00	VALVO	BA483	
V51	AD 1N4448 75V UDI DIODE	AD 0012.0700.00	PHILIPS_SE	1N4448 "	
V55	AE BA483 BER.SCH.DI.UHF DIODE	AE 0568.2290.00	VALVO	BA483	
V56	AE BA483 BER.SCH.DI.UHF DIODE	AE 0568.2290.00	VALVO	BA483	
V58	AE BA483 BER.SCH.DI.UHF DIODE	AE 0568.2290.00	VALVO	BA483	
V60	AD 1N4448 75V UDI DIODE	AD 0012.0700.00	PHILIPS_SE	1N4448 "	

MEZ15	790 3PLU	ÄI	Datum Date	Schaltteilliste für Parts list for	Sachnummer Stock No.	Blatt-Nr. Page
		17	03.05.99	ED AUSGANGSSTUFE 2GHZ OUTPUT-STAGE 2GHZ	0843.4805.01 SA	19+

095.0026-0693

wir uns alle Rechte vor.


Kennz. Comp. No.	Benennung Designation	Sachnummer Stock No.	Hersteller Manufacturer	Bezeichnung Designation	enthalten in contained in
V64	AE BA483 BER.SCH.DI.UHF DIODE	AE 0568.2290.00	VALVO	BA483	
V65	AE BA483 BER.SCH.DI.UHF DIODE	AE 0568.2290.00	VALVO	BA483	
V67	AE 5082-3379 50V PIN PINDIODE	AE 0397.0049.00	HEWLETT_PA	HP5082-3379	
V68	AD BAV99 75V DUO UDI HIGH-SPEED DOUBLE DIODE	AD 0911.0092.00	VALVO	BAV99	
V74	AE 5082-2800 SCHOTTKY DIODE	0012.9066.00	HEWLETT_PA	5082-2800	
V93	AE 5082-3379 50V PIN PINDIODE	AE 0397.0049.00	HEWLETT_PA	HP5082-3379	
V94	AE MA47047SELEKT 200V PIN PIN DIODE MA4PH274	AE 0450.7060.00	MACOM	0450.7060.00	
V95	AE MA47047SELEKT 200V PIN PIN DIODE MA4PH274	AE 0450.7060.00	MACOM	0450.7060.00	
V97	AE MA47047SELEKT 200V PIN PIN DIODE MA4PH274	AE 0450.7060.00	MACOM	0450.7060.00	
V98	AE MA47047SELEKT 200V PIN PIN DIODE MA4PH274	AE 0450.7060.00	MACOM	0450.7060.00	
V99	AE 5082-3379 50V PIN PINDIODE	AE 0397.0049.00	HEWLETT_PA	HP5082-3379	
V112	AK NE85637 N 12V 100MA TRANSISTOR	0801.8231.00	NEC	NE85637(2SC3358)	
V115	AK BC253C P 25V 100MA PNP TRANSISTOR	0010.2829.00	ITT-SEMICO	BC559C	
V117	AD 1N4448 75V UDI DIODE	AD 0012.0700.00	PHILIPS_SE	1N4448 "	
V133	AK BFR96 N 15V 75MA TRANSISTOR	AK 0093.2738.00	VALVO	BFR96	
V143	AK BC253C P 25V 100MA PNP TRANSISTOR	0010.2829.00	ITT-SEMICO	BC559C	
V144	AD 1N4448 75V UDI DIODE	AD 0012.0700.00	PHILIPS_SE	1N4448 "	
V152	AD 1N4448 75V UDI DIODE	AD 0012.0700.00	PHILIPS_SE	1N4448 "	
V201	AE BA483 BER.SCH.DI.UHF DIODE	AE 0568.2290.00	VALVO	BA483	
V202	AD BAV99 75V DUO UDI HIGH-SPEED DOUBLE DIODE	AD 0911.0092.00	VALVO	BAV99	
V204	AD BAV99 75V DUO UDI HIGH-SPEED DOUBLE DIODE	AD 0911.0092.00	VALVO	BAV99	
V205	AD BAV99 75V DUO UDI HIGH-SPEED DOUBLE DIODE	AD 0911.0092.00	VALVO	BAV99	
V208	AD BAV99 75V DUO UDI HIGH-SPEED DOUBLE DIODE	AD 0911.0092.00	VALVO	BAV99	
V212	AD BAV99 75V DUO UDI HIGH-SPEED DOUBLE DIODE	AD 0911.0092.00	VALVO	BAV99	
V214	AD BAV99 75V DUO UDI HIGH-SPEED DOUBLE DIODE	AD 0911.0092.00	VALVO	BAV99	
V215	AD BAV99 75V DUO UDI HIGH-SPEED DOUBLE DIODE	AD 0911.0092.00	VALVO	BAV99	
V218	AD BAV99 75V DUO UDI HIGH-SPEED DOUBLE DIODE	AD 0911.0092.00	VALVO	BAV99	
V222	AE BA483 BER.SCH.DI.UHF DIODE	AE 0568.2290.00	VALVO	BA483	
V223	AE BA483 BER.SCH.DI.UHF DIODE	AE 0568.2290.00	VALVO	BA483	
V225	AE BA483 BER.SCH.DI.UHF DIODE	AE 0568.2290.00	VALVO	BA483	
V226	AE BA483 BER.SCH.DI.UHF DIODE	AE 0568.2290.00	VALVO	BA483	
V227	AE BA483 BER.SCH.DI.UHF DIODE	AE 0568.2290.00	VALVO	BA483	
V230	AE BA483 BER.SCH.DI.UHF DIODE	AE 0568.2290.00	VALVO	BA483	
V231	AE BA483 BER.SCH.DI.UHF DIODE	AE 0568.2290.00	VALVO	BA483	
V236	AE BA483 BER.SCH.DI.UHF DIODE	AE 0568.2290.00	VALVO	BA483	
V237	AE BA483 BER.SCH.DI.UHF DIODE	AE 0568.2290.00	VALVO	BA483	
V240	AE BA483 BER.SCH.DI.UHF DIODE	AE 0568.2290.00	VALVO	BA483	
V241	AE BA483 BER.SCH.DI.UHF DIODE	AE 0568.2290.00	VALVO	BA483	
V243	AE BA483 BER.SCH.DI.UHF DIODE	AE 0568.2290.00	VALVO	BA483	

MEZ15	790 3PLU	Äi	Datum Date	Schaltteilliste für Parts list for	Sachnummer Stock No.	Blatt-Nr. Page
	ROHDE & SCHWARZ	17	03.05.99	ED AUSGANGSSTUFE 2GHZ OUTPUT-STAGE 2GHZ	0843.4805.01 SA	20+

095.0026-0693

Für diese Unterlage behalten wir uns alle Rechte vor.


Kennz. Comp. No.	Benennung Designation	Sachnummer Stock No.	Hersteller Manufacturer	Bezeichnung Designation	enthalten in contained in
V246	AE BA483 BER. SCH. DI. UHF DIODE	AE 0568.2290.00	VALVO	BA483	
V247	AE BA483 BER. SCH. DI. UHF DIODE	AE 0568.2290.00	VALVO	BA483	
V250	AE BA483 BER. SCH. DI. UHF DIODE	AE 0568.2290.00	VALVO	BA483	
V251	AE BA483 BER. SCH. DI. UHF DIODE	AE 0568.2290.00	VALVO	BA483	
V256	AE BA483 BER. SCH. DI. UHF DIODE	AE 0568.2290.00	VALVO	BA483	
V257	AE BA483 BER. SCH. DI. UHF DIODE	AE 0568.2290.00	VALVO	BA483	
V260	AE BA483 BER. SCH. DI. UHF DIODE	AE 0568.2290.00	VALVO	BA483	
V261	AE BA483 BER. SCH. DI. UHF DIODE	AE 0568.2290.00	VALVO	BA483	
V265	AE BA483 BER. SCH. DI. UHF DIODE	AE 0568.2290.00	VALVO	BA483	
V271	AE 5082-3379 50V PIN PINDIODE	AE 0397.0049.00	HEWLETT_PA	HP5082-3379	
V272	AE 5082-3379 50V PIN PINDIODE	AE 0397.0049.00	HEWLETT_PA	HP5082-3379	
V300	AE BA483 BER. SCH. DI. UHF DIODE	AE 0568.2290.00	VALVO	BA483	
V301	AE BA483 BER. SCH. DI. UHF DIODE	AE 0568.2290.00	VALVO	BA483	
V305	AE BA483 BER. SCH. DI. UHF DIODE	AE 0568.2290.00	VALVO	BA483	
V306	AE BA483 BER. SCH. DI. UHF DIODE	AE 0568.2290.00	VALVO	BA483	
V310	AE BA483 BER. SCH. DI. UHF DIODE	AE 0568.2290.00	VALVO	BA483	
V311	AE BA483 BER. SCH. DI. UHF DIODE	AE 0568.2290.00	VALVO	BA483	
V315	AE BA483 BER. SCH. DI. UHF DIODE	AE 0568.2290.00	VALVO	BA483	
V316	AE BA483 BER. SCH. DI. UHF DIODE	AE 0568.2290.00	VALVO	BA483	
V318	AE BA483 BER. SCH. DI. UHF DIODE	AE 0568.2290.00	VALVO	BA483	
V320	AE 5082-3379 50V PIN PINDIODE	AE 0397.0049.00	HEWLETT_PA	HP5082-3379	
V325	AE BA483 BER. SCH. DI. UHF DIODE	AE 0568.2290.00	VALVO	BA483	
V326	AE BA483 BER. SCH. DI. UHF DIODE	AE 0568.2290.00	VALVO	BA483	
V330	AE BA483 BER. SCH. DI. UHF DIODE	AE 0568.2290.00	VALVO	BA483	
V331	AE BA483 BER. SCH. DI. UHF DIODE	AE 0568.2290.00	VALVO	BA483	
V336	AE 5082-3379 50V PIN PINDIODE	AE 0397.0049.00	HEWLETT_PA	HP5082-3379	
V340	AE BA483 BER. SCH. DI. UHF DIODE	AE 0568.2290.00	VALVO	BA483	
V341	AE BA483 BER. SCH. DI. UHF DIODE	AE 0568.2290.00	VALVO	BA483	
V345	AE BA483 BER. SCH. DI. UHF DIODE	AE 0568.2290.00	VALVO	BA483	
V346	AE BA483 BER. SCH. DI. UHF DIODE	AE 0568.2290.00	VALVO	BA483	
V360	AE BZX55/B5V1 0,5W ZDI ZENER DIODE	AE 0262.5837.00	TELEFUNKEN	BZX55B5V1	
V361	AE BZX55/B5V1 0,5W ZDI ZENER DIODE	AE 0262.5837.00	TELEFUNKEN	BZX55B5V1	
V365	AE BZX55/B5V1 0,5W ZDI ZENER DIODE	AE 0262.5837.00	TELEFUNKEN	BZX55B5V1	
V451	AD 1N4448 75V UDI DIODE	AD 0012.0700.00	PHILIPS_SE	1N4448 "	
V473	AE BZX79B4V3 2% 0.5W ZDI ZENER	AE 0008.7691.00	PHILIPS_SE	BZX79B4V3	
V474	AE BZX79B4V3 2% 0.5W ZDI ZENER	AE 0008.7691.00	PHILIPS_SE	BZX79B4V3	
V515	AE 1N827 6,2V REF DI ZENER REFERENCE DIODE	AE 0418.0029.00	COMPENSATE	1N827(A)	
V560	AD 1N4448 75V UDI DIODE	AD 0012.0700.00	PHILIPS_SE	1N4448 "	
V606	AK BFQ34T N 18V 150MA TRANSISTOR	0801.8283.00	PHILIPS	BFQ34T	

MEZ15	790 3PLU	ÄI	Datum Date	Schaltteilliste für Parts list for	Sachnummer Stock No.	Blatt-Nr. Page
		17	03.05.99	ED AUSGANGSSTUFE 2GHZ OUTPUT-STAGE 2GHZ	0843.4805.01 SA	21+

095.0026-0693

wir uns alle Rechte vor.

Kennz. Comp. No.	Benennung Designation	Sachnummer Stock No.	Hersteller Manufacturer	Bezeichnung Designation	enthalten in contained in
V616	ZE DIODENP. HPA 5082-2810 PAIR OF DIODES V616+V666	0801.6480.00			
V621	AK BC253C P 25V 100MA PNP TRANSISTOR	0010.2829.00	ITT-SEMICO	BC559C	
V622	AD 1N4448 75V UDI DIODE	AD 0012.0700.00	PHILIPS_SE	1N4448 "	
V640	AK BFT66 N 15V 30MA TRANSISTOR	0252.5728.10	SIEMENS	BFT66	
V641	AK 2N2369A N 15V 200MA TRANSISTOR	AK 0010.4680.00	VALVO	2N2369A ODER BSX20	
V660	AE 5082-2800 SCHOTTKY DIODE	0012.9066.00	HEWLETT_PA	5082-2800	
V664	AE BZX55/B4V7 0,5W ZDI ZENER DIODE	AE 0080.4014.00	VALVO	BZX79B4V7	
V665	AE BZX55/B4V7 0,5W ZDI ZENER DIODE	AE 0080.4014.00	VALVO	BZX79B4V7	
V666	XX BEMERKUNG PLEASE NOTE 1/2 DIODENPAAR 1/2 PAIR OF DIODES SIEHE/SEE ALSO V616				
V668	AD 1N4448 75V UDI DIODE	AD 0012.0700.00	PHILIPS_SE	1N4448 "	
V670	AK BFR96 N 15V 75MA TRANSISTOR	AK 0093.2738.00	VALVO	BFR96	
V800	AD BAV99 75V DUO UDI HIGH-SPEED DOUBLE DIODE	AD 0911.0092.00	VALVO	BAV99	
V801	AD 1N4448 75V UDI DIODE	AD 0012.0700.00	PHILIPS_SE	1N4448 "	
V802	AK BC253C P 25V 100MA PNP TRANSISTOR	0010.2829.00	ITT-SEMICO	BC559C	
V810	AK BFR96 N 15V 75MA TRANSISTOR	AK 0093.2738.00	VALVO	BFR96	
V813 ..816	AE 5082-2835 SCHOTTKY DIODE	0263.8430.00	HEWLETT_PA	HP5082-2835	
V824	AE MA4P274-287 200V PIN PIN DIODE	0843.3238.00	MA-COM	MA4P1110	
V827	AE MA4P274-287 200V PIN PIN DIODE	0843.3238.00	MA-COM	MA4P1110	
V828	AE MA4P274-287 200V PIN PIN DIODE	0843.3238.00	MA-COM	MA4P1110	
V829	AE MA4P274-287 200V PIN PIN DIODE	0843.3238.00	MA-COM	MA4P1110	
V834	AE MA4P274-287 200V PIN PIN DIODE	0843.3238.00	MA-COM	MA4P1110	
V837	AE MA4P274-287 200V PIN PIN DIODE	0843.3238.00	MA-COM	MA4P1110	
V838	AE MA4P274-287 200V PIN PIN DIODE	0843.3238.00	MA-COM	MA4P1110	
V839	AE MA4P274-287 200V PIN PIN DIODE	0843.3238.00	MA-COM	MA4P1110	
V882	AD 1N4448 75V UDI DIODE	AD 0012.0700.00	PHILIPS_SE	1N4448 "	
V883	AD 1N4448 75V UDI DIODE	AD 0012.0700.00	PHILIPS_SE	1N4448 "	
V900 ..903	AE 5082-3043 50V PIN PIN DIODE	AE 0359.9013.00	HEWLETT_PA	5082-3043	
V910 ..913	AE 5082-3043 50V PIN PIN DIODE	AE 0359.9013.00	HEWLETT_PA	5082-3043	
V920	AD 1N4448 75V UDI DIODE	AD 0012.0700.00	PHILIPS_SE	1N4448 "	
V921	AE 5082-2800 SCHOTTKY DIODE	0012.9066.00	HEWLETT_PA	5082-2800	
V924	AD 1N4448 75V UDI DIODE	AD 0012.0700.00	PHILIPS_SE	1N4448 "	
V925	AK BSX29 P 12V 200MA TRANSISTOR	0010.3031.00	SGS	BSX29	
V929	AD 1N4448 75V UDI DIODE	AD 0012.0700.00	PHILIPS_SE	1N4448 "	
V930	AK BSX29 P 12V 200MA TRANSISTOR	0010.3031.00	SGS	BSX29	
W1	DW KABEL W1 CABLE	0801.7287.00			
W2	DW KABEL W2 CABLE	0801.7293.00			


MEZ15	790 3PLU	ÄI	Datum Date	Schaltteilliste für Parts list for	Sachnummer Stock No.	Blatt-Nr. Page
		17	03.05.99	ED AUSGANGSSTUFE 2GHZ OUTPUT-STAGE 2GHZ	0843.4805.01 SA	22+

095.0026-0693

Für diese Unterlage behalten
wir uns alle Rechte vor.

Kennz. Comp. No.	Benennung Designation	Sachnummer Stock No.	Hersteller Manufacturer	Bezeichnung Designation	enthalten in contained in
W3	DW KABEL W3 CABLE NUR VAR/ONLY MOD: 04 06	0801.7306.00			
W4	DW KABEL CABLE	0843.3167.00			
W5	DW KABEL CABLE W5	0843.4263.00			
X1	FP STECKERLEISTE 32POL. MULTIPOINT CONNECTOR	FP 0514.4550.00	SIEMENS	V42254-B1200-B641	
X11	VL WIRE-WRAP PIN L=11,6 WIRE-WRAP PIN 2-POLIG/2 PINS	0088.4542.00	DUPONT CON	75403-003	
X22	VL WIRE-WRAP PIN L=11,6 WIRE-WRAP PIN 4-POLIG/4 PINS	0088.4542.00	DUPONT CON	75403-003	
X24	VL WIRE-WRAP PIN L=11,6 WIRE-WRAP PIN 2-POLIG/2 PINS	0088.4542.00	DUPONT CON	75403-003	
X401	FJ EINBAUSTECKER F.GS SMB ANGLE CONNECTOR	FJ 0602.8804.00	ROSENBERGE	59S-206-400-D3	
X402	FJ EINBAUWINKELST. SMC ANGLE CONNECTOR	FJ 0249.9684.00	IMS	82.1524.201	
X404	FJ EINBAUSTECKER F.GS SMB ANGLE CONNECTOR	FJ 0602.8804.00	ROSENBERGE	59S-206-400-D3	
X405	FJ EINBAUSTECKER F.GS SMB ANGLE CONNECTOR	FJ 0602.8804.00	ROSENBERGE	59S-206-400-D3	
X406	FJ EINBAUWINKELST. SMC ANGLE CONNECTOR	FJ 0249.9684.00	IMS	82.1524.201	
X408	NUR VAR/ONLY MOD: 04 06 FJ EINBAUSTECKER F.GS SMB ANGLE CONNECTOR	FJ 0602.8804.00	ROSENBERGE	59S-206-400-D3	
X410	FJ EINBAUSTECKER F.GS SMB ANGLE CONNECTOR	FJ 0602.8804.00	ROSENBERGE	59S-206-400-D3	
Z700	LD 10GHZ 50DB100V10A4RDX9 LEAD-THROUGH FILTER	LD 0451.4636.00	SPECTRUM	51-713-036	
Z710	LD 10GHZ 50DB100V10A4RDX9 LEAD-THROUGH FILTER	LD 0451.4636.00	SPECTRUM	51-713-036	
Z730	LD 10GHZ 50DB100V10A4RDX9 LEAD-THROUGH FILTER	LD 0451.4636.00	SPECTRUM	51-713-036	
Z740	LD 10GHZ 50DB100V10A4RDX9 LEAD-THROUGH FILTER	LD 0451.4636.00	SPECTRUM	51-713-036	
Z790	LD 10GHZ 50DB100V10A4RDX9 LEAD-THROUGH FILTER	LD 0451.4636.00	SPECTRUM	51-713-036	
Z791	LD 10GHZ 50DB100V10A4RDX9 LEAD-THROUGH FILTER	LD 0451.4636.00	SPECTRUM	51-713-036	

095.0026-0693

MEZ15	790 3PLU	ÄI	Datum Date	Schaltteilliste für Parts list for	Sachnummer Stock No.	Blatt-Nr. Page
	ROHDE & SCHWARZ	17	03.05.99	ED AUSGANGSSTUFE 2GHZ OUTPUT-STAGE 2GHZ	0843.4805.01 SA	23-



ROHDE & SCHWARZ

SERVICEUNTERLAGEN

Baugruppe Rechner

801.2410.04

ENGLISH MANUAL FOLLOWS FIRST COLOURED DIVIDER

Inhaltsübersicht

	Seite	
5	Serviceanleitung Baugruppe "Rechner" 5.1	
5.1	Funktionsbeschreibung	5.1
5.1.1	Mikroprozessor und Adreßlatch	5.1
5.1.2	Programmspeicher (EPROMs)	5.1
5.1.3	Datenspeicher (RAMs)	5.2
5.1.4	Interface zur Frontplatte und zum seriellen Datenbus	5.3
5.1.5	Strobeerzeugung und Zusatzschaltung	5.4
5.1.6	Interface zum IEC-Bus	5.5
5.1.7	Diagnoseschaltung mit Spannungsmesser	5.5
5.1.8	Reset-Schaltung	5.6
5.2	Abgleich	5.8
5.3	Fehlersuche	5.9
5.4	Schnittstellen	5.11
	Schaltteillisten	
	Stromläufe	
	Bestückungspläne	

5.1 Funktionsbeschreibung

(Hierzu Stromlauf 801.2410 S und Bild 5-4)

Die Baugruppe "Rechner" enthält einen Mikroprozessor, der alle Eingaben von der Tastatur oder über den IEC-Bus entgegennimmt und die Baugruppen des Geräts ansteuert. Die Datenübertragung geschieht in serieller Form.

Die serielle Datenausgabe, die Tastaturerkennung und die Auswertung des Drehimpulsgebers werden von einem zentralen Interfacebaustein erledigt, dem kundenspezifischen Gate Array "IFPAS".

Außerdem ist eine Diagnoseschaltung mit Spannungsmesser vorhanden, mit der bis zu 35 Meßpunkte im Gerät automatisch überwachbar sind.

5.1.1 Mikroprozessor und Adreßlatch

Als Zentraleinheit (CPU) dient der 16-Bit-Mikroprozessor 80186, der mit einer Taktfrequenz von 8 MHz arbeitet. Daraus resultiert eine maximale Busfrequenz von 2 MHz.

Die CPU umfaßt einen Adreßraum von 1 MByte, wozu sie 20 Adreßsignale ausgibt. Die 8-Bit-Latches D2 und D3 dienen mit Hilfe des ALE-Signals (Address Latch Enable) zum Abspeichern der zu Beginn eines Buszyklus herausgeführten Adresse. Danach steht der Bus DB0 bis DB15 zur Übertragung der Daten bereit.

5.1.2 Programmspeicher (EPROMS)

Für den Programmspeicher werden zwei EPROMs des Typs 27256 verwendet.

Diese EPROM-Bausteine D70, D71 sind jeweils 8 Bit (1 Byte) breit. Da sie auf der Baugruppe parallel geschaltet sind, erscheinen sie für die CPU wie ein 16-bit-breiter Programmspeicher. Dabei beinhaltet D70 die niederwertigen 8-Bit (Low-Byte) und D71 die höherwertigen 8-Bit (High-Byte) eines 16-bit-breiten Wortes.

5.1.3 Datenspeicher (RAMs)

Für den Datenspeicher werden CMOS-RAMs vom Typ 6116 bzw. 6264 verwendet, mit einer Speicherkapazität von 4 KByte bzw. 16 KByte. Je nach Wahl der Bausteine muß die Beschaltung durch Umstecken der Steckbrücke X90 angepaßt werden.

Über die Bussignale AB0 und BHE* ist der Datenspeicher byteweise oder wortweise ansteuerbar.

Um Geräteeinstellungen und wichtige Betriebsdaten auch bei abgeschalteter Stromversorgung zu erhalten, sind die RAMs über eine Batterie gepuffert.

Die Schaltung zum Umschalten von Netzteilspannung auf Batterie- speisung und umgekehrt besteht aus V90, V91, V94, V95 usw.

Wenn das RES*-Signal inaktiv wird, und damit der aktive Betriebs- modus des Rechners eingeschaltet ist, wird der Transistor V90 durchgeschaltet. Er verbindet die RAM-Versorgungsanschlüsse mit der +5-V-Versorgung. Die Diode V95 schützt die Lithiumbatterie vor unzulässigem Ladestrom. Die Diode V94 und der Kondensator C90 glätten den Spannungsverlauf während der Umschaltvorgänge.

Bei abgeschalteter Stromversorgung des Geräts liegt das RES*-Signal auf Low-Potential und V90, V94 sind in Richtung der niederohmigen +5-V-Leitung gesperrt. Dann werden die RAMs aus der Batterie (über Diode V95) gespeist und befinden sich im "Stand- by"-Modus.

Ebenso sind dann die Kontrolleitungen CE (Chip Enable) inaktiv high, weil sie über die elektrischen Schalter, bestehend aus V92, V96 bzw. V93, V97 von der restlichen Schaltung abgetrennt sind.

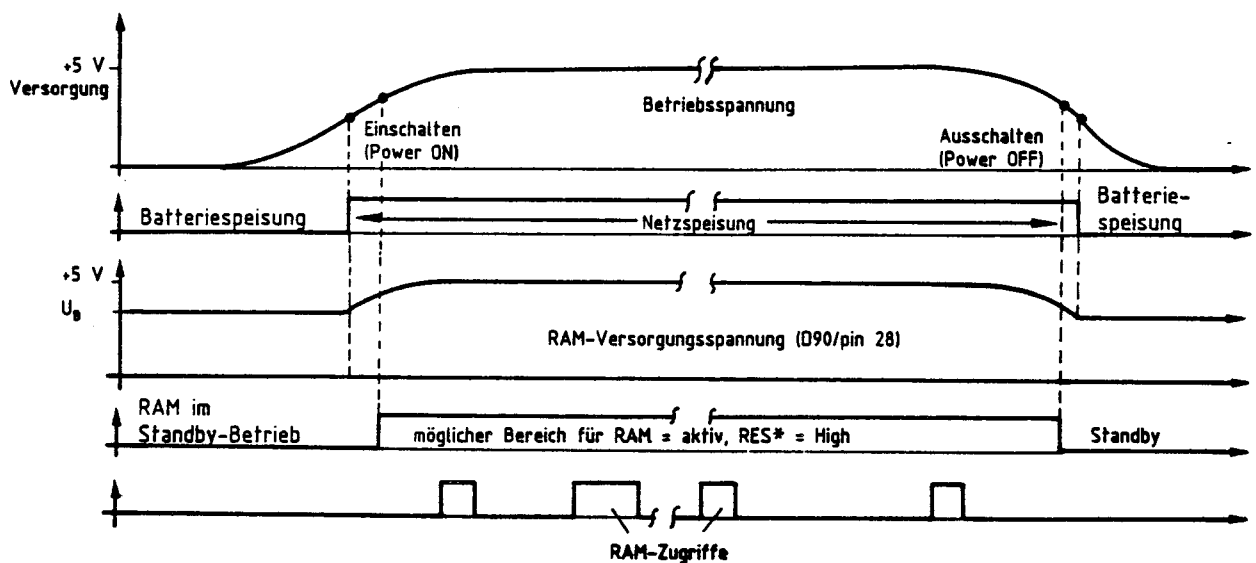


Bild 5-1 Stromversorgung des RAMs (nicht maßstäblich)

5.1.4 Interface zur Frontplatte und zum seriellen Datenbus

Das kundenspezifische Gate Array "IFPAS" (Interface for Front Panel and Serial Bus) beinhaltet drei unabhängige Schaltungen.

Interface für Drehimpulsgeber (RMK)

An seinen Eingangsklemmen RMK.PLS und RMK.DIR liegen die um 90° phasenverschobenen Signale "Puls" und "Richtung" des Drehimpulsgebers an. Intern werden die Pulse je nach Drehrichtung in einem Zähler aufsummiert. Der 1. Puls führt zum Interrupt, der über den Anschluß RMK.INT* zur CPU geleitet wird. Der Zähler wird nach dem Auslesen automatisch gelöscht.

Interface zur Tastenmatrix

Im Ruhezustand, wenn keine Taste gedrückt ist, werden die Leitungen KC1 bis KC8 des D40 auf Low-Potential gehalten.

Die Anschlüsse KR1 bis KR8 stellen immer hochohmige CMOS-Eingänge dar. Die Kondensatoren C61 bis C67 sind wichtiger Bestandteil des Tastatur-Interface, während C111 bis C118 nur zur Unterdrückung von Störsignalen dienen.

Beim Betätigen einer Taste wird in der Tastenmatrix eine Zeilenleitung (KEY.ROW1 bis KEY.ROW7) mit einer Spaltenleitung (KEY.COL1 bis KEY.COL8) verbunden und die Ladung des entsprechenden Kondensators (aus C61 bis C67) in den IFPAS-Baustein D40 hinein entladen.

Eine interne Schaltung erzeugt einen Tastaturinterrupt durch Low-Potential auf der KEY.INT*-Leitung.

Mit einem Lesezyklus wird der Tastencode gelesen. Für die Dauer dieses Zyklus werden die Pins KC1 bis KC8 zu Eingängen und damit hochohmig geschaltet.

Kurz vor dem Ende des Lesezyklus haben alle am Tastendruck unbeteiligten (offenen) Spaltenleitungen mit Hilfe der Pullup-Widerstände in R64 High-Potential erreicht. Nur die mit dem entladenen Kondensator verbundenen Zeilen- und Spaltenleitungen weisen dann noch Low-Potential auf. Aus diesem Signalzustand wird ein (1 aus 56) Tastencode erzeugt und zum Lesen an den Datenbus gelegt. Beim Auslesen wird der Interrupt automatisch gelöscht.

Interface zwischen dem 16-bit-parallelen Mikroprozessorbus und dem seriellen Bus

Dieser serielle Bus besteht aus den drei unidirektionalen Leitungen TFR.CLK (Transfer Clock), TM.DATA (Transmit Data) und RC.DATA (Receive Data). Zum Konzept der seriellen Übertragung gehören auch Strobe-Leitungen (siehe Abschnitt 5.1.5), die die Adreß- und Selektssignale zu den peripheren Datenlatches auf anderen Baugruppen darstellen. Sie sind weiterhin parallel geführt.

5.1.5 Strobeerzeugung und Zusatzschaltung

Strobeerzeugung

Zur Erzeugung der Strobes dienen die Bausteine D42 und D63, deren Ausgangsbits einzeln adressierbar sind.

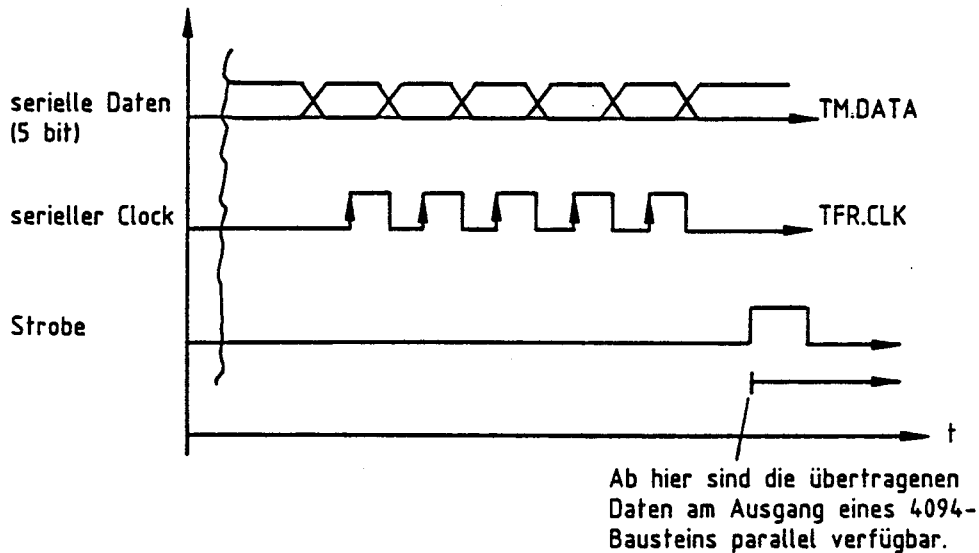


Bild 5-2 Serielle Übertragung von fünf Datenbits

Als Empfänger der seriell gesendeten Daten werden Schieberegister vom Typ 4094 verwendet. Sie sind zweistufig aufgebaut: einem 8-Bit-Schieberegister als Eingangsstufe und einem 8-Bit-parallelen Latch als Ausgangsstufe.

Ein am Strobeingang angelegter Puls (┌─┐) lädt das Ausgangslatch mit dem augenblicklichen Inhalt des Schieberegisters. Für die übrige Zeit sind beide Register im Baustein 4094 vollkommen getrennt.

Das Eingangsschieberegister ist mit den Leitungen TRF.CLK und TM.DATA verbunden und übernimmt alle darauf gesendeten Daten. Danach erfolgt die Datenübernahme infolge eines kurzen Strobeimpulses.

Zusatzschaltung

Zu Testzwecken kann X12 mit einer Kurzschlußbrücke bestückt werden, um die Powerfail-Schaltung, die sich auf der Netzteilbaugruppe befindet, unwirksam zu machen.

5.1.6 Interface zum IEC-Bus

Bei dem IEC-Bus-Interface, bestehend aus den Bausteinen D50, D51 und D52, handelt es sich um eine Standardapplikation, mit der die Fernsteuerschnittstelle nach IEC-625-Norm implementiert wird.

Das Interface ist in der Lage, über die Leitungen DRQ0 und DMA.SEL* und einem DMA-Kanal (Direct Memory Access) des Mikroprozessors Daten direkt in den Datenspeicher zu laden oder von dort zu lesen.

Das Interface wickelt das Datenübergabeprotokoll (Handshake) auf dem IEC-Bus selbständig ab. Adressierungen und Schnittstellenkommandos werden ohne Beteiligung des Prozessors bearbeitet und entsprechende Informationen in internen Statusregistern abgelegt. Über die Interruptleitung INT12 werden Bedienanforderungen an die CPU weitergeleitet.

5.1.7 Diagnoseschaltung mit Spannungsmesser

Im Mittelpunkt der Diagnoseschaltung steht der 12-Bit-Analog/Digital-Wandler D10, der als integrierender Zwei-Flankenwandler arbeitet.

Mit der von N10 gelieferten Referenzspannung von 2,048 V wird eine Meßauflösung von 1 mV und ein Meßbereich von -4,095 V bis +4,095 V erzielt.

Die Meßsignale werden über eine Eingangsstufe (N11, D18) mit umschaltbarer Verstärkung von 1:1 und 10:1 an den Eingang des A/D-Wandlers geführt. Sie können von anderen Baugruppen (über Steckerpin X1.A28 oder auch von der Rechnerbaugruppe selbst stammen. Im letzteren Fall schaltet der Analogmultiplexer D16, angesteuert vom adressierbaren Latch D17, einen der 8 Meßpunkte auf den Eingang von N11.

Weitere Schaltungsdetails:

- a) Zur Messung der Batteriespannung wird der Transistor V14 durchgeschaltet und mit R32 die Belastung der Batterie im Standby-Modus simuliert.
- b) Die Frequenz des freischwingenden Oszillators des A/D-Wandlers wird durch R13 und C24 bestimmt und beträgt 100 kHz ± 15 %.

5.1.8 Reset-Schaltung

Die Reset-Schaltung (mit N80-I,II,III und V83) hat die Aufgabe, den Mikroprozessor und andere aktive Bauelemente abzuschalten, wenn vor dem Ansteigen und nach dem Absinken der +5-V-Versorgungsspannung ein sicheres Arbeiten der Baugruppe noch nicht oder nicht mehr gewährleistet ist.

Mit einer Verzögerungsschaltung wird erreicht, daß das RES*-Signal ca. 0,5 bis 1 s lang ansteht, während die Versorgungsspannung für den Betrieb schon ausreicht, also 4,7 V überschritten hat.

An X80 kann zu Testzwecken eine Taste angeschlossen werden, so daß ein Netzausfall simulierbar ist.

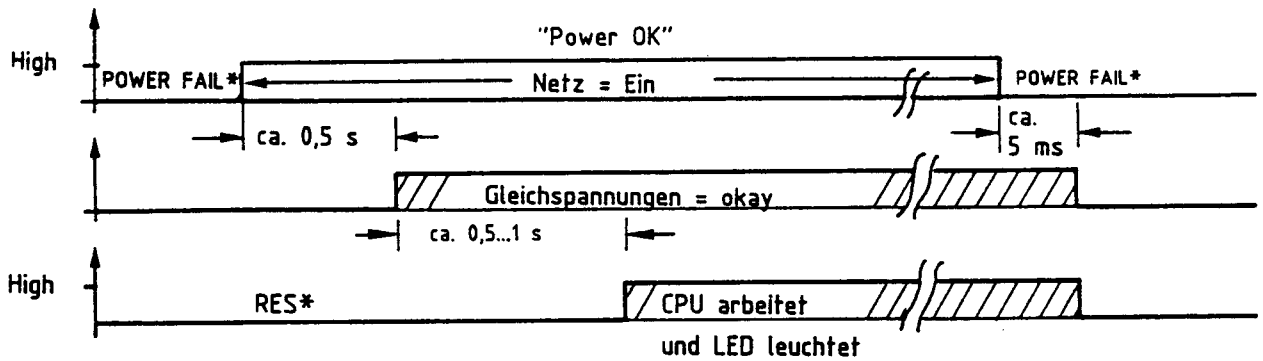


Bild 5-3 Netzteil Ein-/Ausschaltsequenzen (nicht maßstäblich)

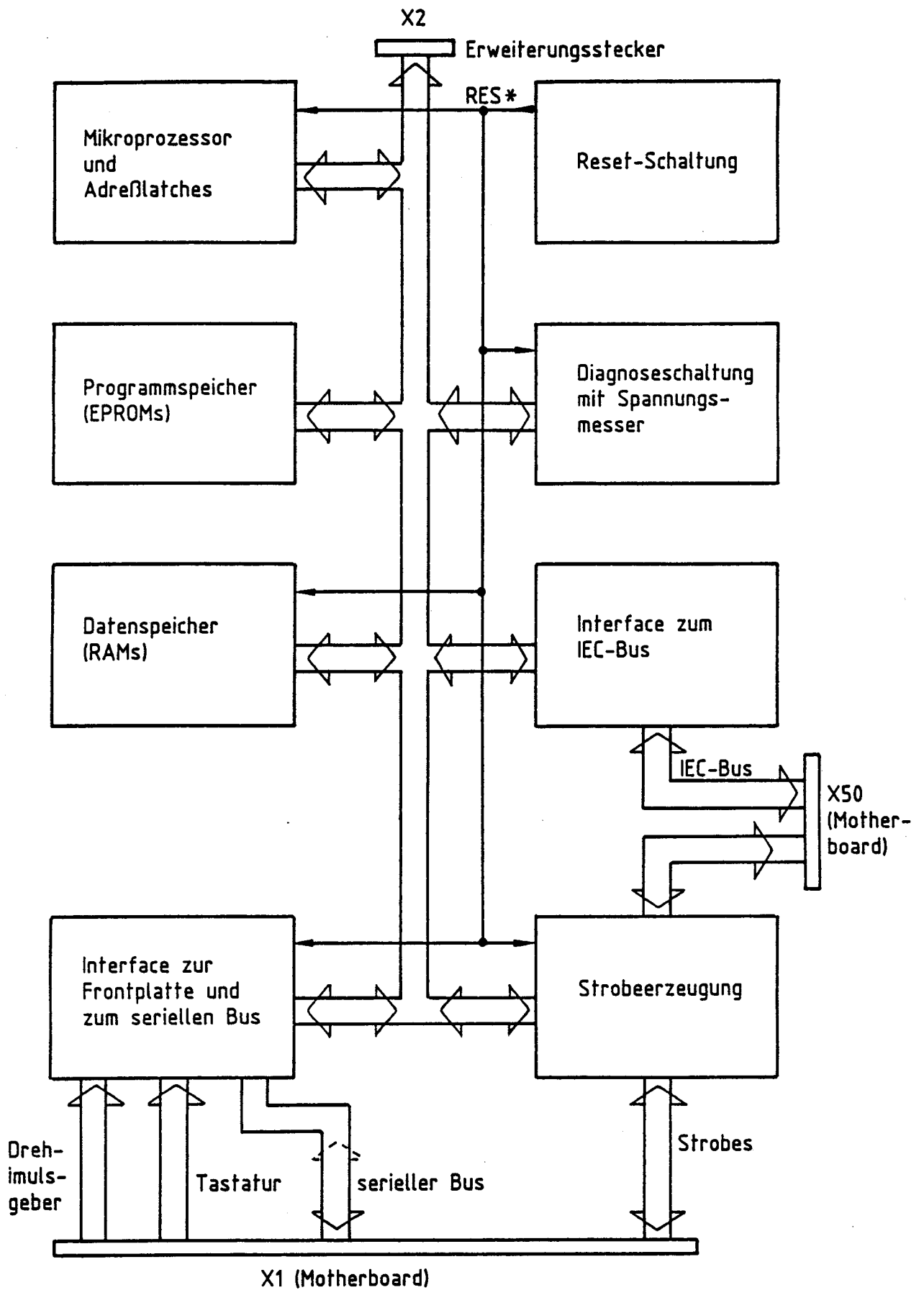


Bild 5-4 Blockschaltbild Rechner

5.2 Abgleich

Die Spannung am Testpunkt P10 wird mit R18 auf +2,048 V \pm 1 mV abgeglichen.

5.3 Fehlersuche

Einfache Tests

(mit Digitalvoltmeter (DVM) und Oszilloskop (SKOP))

- Alle Steckbrücken kontrollieren.
- Am Pluspol von C1 sind meßbar: $+5,2 \text{ V} \pm 0,25 \text{ V}$ (DVM)
- Am Pluspol von C2 sind meßbar: $+15 \text{ V} \pm 0,5 \text{ V}$ (DVM)
- Am Minuspol von C3 sind meßbar: $-15 \text{ V} \pm 0,4 \text{ V}$ (DVM)
- Am Pluspol von C4 sind meßbar: $+24 \text{ V} \pm 0,5 \text{ V}$ (DVM)
- Das CLK.OUT-Signal an D1/56 ist ein 8-MHz-TTL-Signal (SKOP). Wenn ein Fehler auftritt, Quarzoszillator D1/58, 59 untersuchen.
- Wenn LED "V82" leuchtet, dann sind die Resetsignale RES* = LOW (D1/24) und RESET = High (D1/57) (DVM).
- Referenzspannung an X10 ist mit R18 auf $2,048 \text{ V} \pm 1 \text{ mV}$ justiert (DVM).
- An D40/50,49 lassen sich mit dem Oszilloskop TTL-Signale abgreifen, sobald der Drehknopf betätigt wird.
- Bei nicht betätigter Tastatur sind alle Zeilenleitungen (KEY.ROW1 bis KEY.ROW7) auf High-Potential und alle Spaltenleitungen (KEY.COL1 bis KEY.COL8) auf Low. Wenn eine Taste gedrückt ist, geht die entsprechende Zeilenleitung ebenfalls auf Low (DVM).
- Wenn X80 z.B. durch eine Prüftaste kurzgeschlossen wird, muß sofort die LED V82 verlöschen. Nachdem der Kontakt wieder geöffnet wurde, darf sie erst nach ca. 0,5 bis 1 s wieder aufleuchten. Dann durchläuft der Mikroprozessor die Powerup-Routine, erkennbar an der Initialisierung der Eichleitung.
- Die Spannung am D70 bzw. D71/26 darf bei Netzbetrieb max. $0,2 \text{ V}$ unter der +5-V-Versorgung liegen (V90). Bei abgeschaltetem Netz muß die von der Batterie gelieferte Standby-Spannung am gleichen Punkt größer als $2,6 \text{ V}$ sein (DVM).

Konfigurierung der Steckbrücken und ihre Benutzung zu Testzwecken

- X3 : wird nicht benötigt
- X4/1-2 : im Normalfall **geschlossen**
im Test offen; ermöglicht die Einspeisung eines externen Taktes
- X5 : im Normalfall **offen**
im Test geschlossen; bringt den Mikroprozessor in den Hold-Zustand und macht den Bus hochohmig.
- X12 : im Normalfall **offen**
im Test geschlossen; trennt das vom Netzteil herangeführte Powerfail-Signal (PWR.FAIL*) ab.
- X40: : wird nicht benötigt
- X41/7-8 : **geschlossen**; bildet die Rückführung der seriellen Transmit-Leitung auf die nicht benötigte Receive-Leitung und ermöglicht so einen einfachen Selbsttest des IFPAS (D40).
- X51 : im Normalfall **offen**
im Test geschlossen; unterbricht die Select-Signale zu den Interface-Schaltungen und verhindert dadurch ihre Aktivierung.
- X52 : dient dem Anschluß eines Geräts für die Signaturanalyse.
- X70/1-2 : **geschlossen**, wenn D70, D71 EPROMs vom Typ 27256 sind.
- X70/2-3 : **geschlossen**, wenn D70, D71 EPROMs vom Typ 27128 sind.
- X80 : erlaubt den Anschluß einer Reset-Taste zu Testzwecken.
- X90/1-2 : **geschlossen**, wenn D90, D91 CMOS-RAMs vom Typ 6264 sind.
- X90/2-3 : **geschlossen**, wenn D90, D91 CMOS-RAMs vom Typ 6116 sind.

5.4 Schnittstellen

Abkürzungen: TS = Tristate-Leitung
 TTL = TTL-kompatible Leitung
 OC = Open-Collector-Leitung
 PS = Power-Supply-Leitung
 I = Eingangsleitung (Input)
 O = Ausgangsleitung (Output)
 * = Negationszeichen für Signale mit negativer Logik
 AL = Analoges Signal

Anschluß	Leiterart	Signalrichtung	Bezeichnung/Beschreibung
X1.A1	TTL	I	DREHG.DIR, Drehimpulsgeber Richtung
X1.B1	TTL	I	DREHG.PULS, Drehimpulsgeber Puls
X1.A3-A6	TTL (TS)	I/O	KEY.COL1 bis KEY.COL8, Spaltenleitungen der Tastenmatrix
X1.B3-B6			
X1.B7	TTL	O	EXT.RES*, externes Resetsignal
X1.A7-A10	TTL	I	KEY.ROW1 bis KEY.ROW7, Zeilenleitungen der Tastenmatrix
X1.B8-B10			
X1.B11	TTL	O	DIS.STB3* } Strobes zur Ansteuerung der LCD-Controller auf der Frontplatte (Display)
X1.A11	TTL	O	
X1.B12	TTL	O	
X1.A12	TTL	I	LCD.BUSY*, Handshake-Signal
X1.B13	TTL	O	DIS.C/D*, Command/Data-Umschaltung
X1.A13	TTL	O	DIS.DAT, serielle Datenleitung
X1.B14	TTL	O	DIS.CLK, serielle Clock-Leitung
X1.A14	TTL	O	LED.STB, Strobe zur LED-Ansteuerung
X1.A16	TTL	I	PWR.FAIL*, Powerfail-Signal vom Netzteil
X1.A17,B17	PS	--	GND, Masseverbindung
X1.A18,B18	PS	--	+24 V Stromversorgung
X1.A19,B19	PS	--	-15 V Stromversorgung
X1.A20,B20	PS	--	+15 V Stromversorgung
X1.A21,B21	PS	--	+5 V Stromversorgung
X1.A22,B22	PS	--	GND, Masseverbindung
X1.A23	TTL	I	FM.EXT, Modulationssignal der FM/AM

Anschluß	Leiterart	Signal richtung	Bezeichnung/Beschreibung
X1.A24	TTL	I	AM.EXT, Modulationssignal der AM
X1.B24	AL	I	EICH.TEST, Testsignal von der Eichleitung
X1.B25	TTL	I	HF.OVERLOAD, Alarmsignal der Eichleitung
X1.A25,A26	TTL	O	MOD.STB1, MOD.STB2, Strobes zur Einstellung der Modu- lationssteuerung
X1.A27	TTL	O	TFR.CLK, serieller Clock zu den HF-Baugruppen
X1.B27	TTL	O	TM.DATA, serielle Daten- leitung
X1.A28	AL	I	TEST, analoge Meßleitung
X1.A29-A31	TTL	O	HF.STB1 bis HF.STB6, Strobes zur Einstellung der HF-Bau- gruppen
X1.B28-B30	TTL	O	
X1.B31	TTL (OC)	I	LOOP.OK, Alarm-Leitung der Regelschleifen
X1.A32,B32	PS	--	GND
X50.A1-A7	PS	--	GND
X50.C1	PS	--	GND
X50.A9-A12 X50.C9-C12	TTL (OC, TS)	I/O	I.DAT1 bis I.DAT8, Datenbus
X50.C2	TTL (TS)	I/O	I.ATN, ATTENTION-Leitung
X50.C3	TTL (OC)	I/O	I.SRQ, SERVICE REQUEST
X50.C4	TTL (TS)	I/O	I.IFC, INTERFACE CLEAR
X50.C5	TTL (OC)	I/O	I.NDAC, NOT DATA ACCEPTED
X50.C6	TTL (OC)	I/O	I.NRFD, NOT READY FOR DATA
X50.C7	TTL (TS)	I/O	I.DAV, DATA VALID
X50.C8	TTL (TS)	I/O	I.EOI, END OR IDENTIFY
X50.A8	TTL (TS)	I/O	I.REN, REMOTE ENABLE
X50.A13,C13	PS	--	GND
X50.A14	TTL	I	OPT.AVAIL, Statussignal einer externen Option
X50.C14	TTL (OC)	I	EXT.LOOPOK, Regelschleifen- überwachung
X50.A15	TTL	O	EXT.TMDAT, serielle Sende- daten
X50.C15	TTL	O	EXT.STB, Strobe zur ext. Option
X50.C16	TTL	O	EXT.TFRCLK, serieller Clock



ROHDE & SCHWARZ

SERVICE DOCUMENTS

Processor Module

801.2410.04

Contents

	Page	
5	<u>Service Manual for Processor Module</u> 5.1	
5.1	Function Description	5.1
5.1.1	Microprocessor and Address Latch	5.1
5.1.2	Program Memory (EPROMs)	5.1
5.1.3	Data Memory (RAMs)	5.2
5.1.4	Interface for Front Panel and Serial Data Bus ...	5.3
5.1.5	Strobe Generation and Additional Circuit	5.4
5.1.6	Interface for IEC Bus	5.5
5.1.7	Diagnostic Circuit with Voltmeter	5.5
5.1.8	Reset Circuit	5.6
5.2	Adjustment	5.8
5.3	Troubleshooting	5.9
5.4	Interfaces	5.11
	Component lists	
	Circuit diagrams	
	Components layout diagrams	

5.1 Function Description

(See circuit diagram 801.2410 S and Fig. 5-4)

The processor contains a microprocessor which handles all inputs from the keyboard or via the IEC bus and triggers the instrument modules. Data transmission takes place in serial mode.

Serial data output, keyboard polling and spinwheel evaluation are handled by a central interface IC, the customer-specific gate array IFPAS.

A diagnosis circuit with a voltmeter is also provided and permits the automatic monitoring of up to 35 test points of the unit.

5.1.1 Microprocessor and Address Latch

The CPU is an 80186 16-bit microprocessor which operates with a clock frequency of 8 MHz. This results in a maximum bus frequency of 2 MHz.

The CPU has an address space of 1 Mbyte for which it outputs 20 address signals. The 8-bit latches D2 and D3 together with the ALE signal (Address Latch Enable) are used to store the address output at the start of a bus cycle. The bus DB0 to DB15 is subsequently available for data transmission.

5.1.2 Program Memory (EPROMs)

Two EPROMs of type 27256 are used for the program memory. These two EPROMs D70 and D71 are each 8 bit (1 byte) wide. Since they are connected in parallel on the module, they appear to the CPU as a 16-bit wide program memory.

D70 contains the least significant 8 bits (Low byte) and D71 the most significant 8 bits (High byte) of a 16-bit word.

5.1.3 Data Memory (RAMs)

CMOS-RAMs of type 6116 and 6264 with capacities of 4 Kbyte and 16 Kbyte respectively are used for the data memory. Depending on the components used, the circuit must be adapted by repositioning the plug-in jumper X90.

The data memory can be addressed in bytes or words using the bus signals AB0 and BHE*.

The RAMs are backed up by a battery to retain instrument settings and important operating data when the power supply is switched off.

The circuit V90, V91, V94, V95 etc. is used to switch from the power supply to the battery supply and vice versa.

Transistor V90 is connected through if the RES* signal becomes inactive indicating the active operating mode of the processor. The transistor connects the RAM supply terminals to the +5-V supply. The diode V95 protects the lithium battery from an excessive charging current. Diode V94 and capacitor C90 smoothen the voltage characteristic during the switchover processes.

The RES* signal is at Low with the power supply to the instrument switched off, and +5-V line is thus isolated from the battery voltage by the non-conducting V90, V94. The RAMs are then powered by the battery (via diode V95) and are in standby mode.

The control lines CE (Chip Enable) are then also inactive (High) because they are isolated from the rest of the circuitry by the electronic switches formed by V92, V96 or V93, V97.

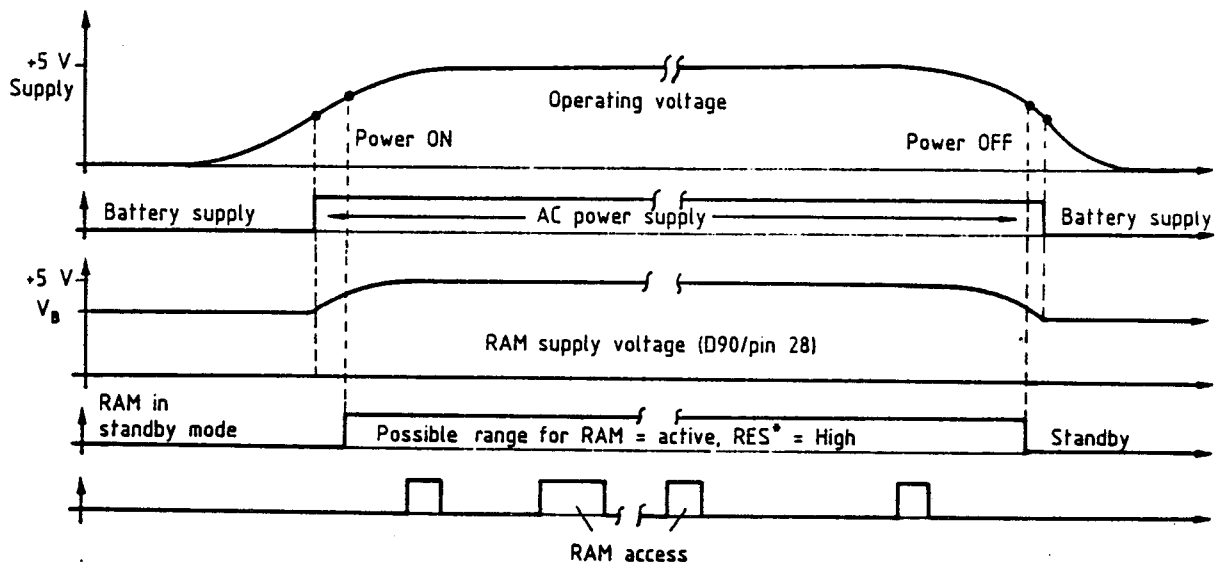


Fig. 5-1 Power supply to RAM (not to scale)

5.1.4 Interface for Front Panel and Serial Data Bus

The customer-specific gate array IFPAS (Interface for Front Panel and Serial bus) contains three independent circuits.

Interface for spinwheel (RMK)

The signals "Pulse" and "Direction" from the spinwheel, offset in phase by 90°, are applied to input terminals RMK.PLS and RMK.DIR of the interface. The pulses are counted internally depending on the direction of rotation. The first pulse generates an interrupt which is applied to the CPU via the connection RMK.INT*. The counter is automatically cleared once it has been read.

Interface to the keyboard

Lines KC1 to KC8 of the D40 are held at Low potential in the quiescent state when no keys are pressed.

The pins KR1 to KR8 always represent high-impedance CMOS inputs. Capacitors C61 to C67 are important components of the keyboard interface, whereas C111 to C118 are only used to suppress noise signals.

A row line (KEY.ROW1 to KEY.ROW7) is connected to a column line (KEY.COL1 to KEY.COL8) in the key matrix when a key is pressed and the charge of the corresponding capacitor (C61 to C67) is discharged into the IFPAS component D40.

An internal circuit generates a keyboard interrupt by a Low potential on the KEY.INT* line.

The key code is read using a read cycle. Pins KC1 to KC8 become inputs for the duration of this cycle and are thus set to high impedance.

Shortly before the end of the read cycle, all column lines not affected by the pressed key (open) are set to High using the pull-up resistors in R64. Only the row and column lines connected to the discharged capacitor are then at Low. A key code (1-out-of-56) is generated from this signal status and applied to the data bus for reading. The interrupt is automatically cleared during reading.

Interface between the 16-bit parallel microprocessor bus and the serial bus

This serial bus consists of the three unidirectional lines TFR.CLK (Transfer Clock), TM.DATA (Transmit Data) and RC.DATA (Receive Data). The strobe lines (see Section 5.1.5) are also included in the serial transmission and represent the address and select signals to the peripheral data latches on other modules. They remain applied in parallel.

5.1.5 Strobe Generation and Additional Circuit

Strobe generation

The strobe is generated by ICs D42 and D63 the output bits of which are addressed individually.

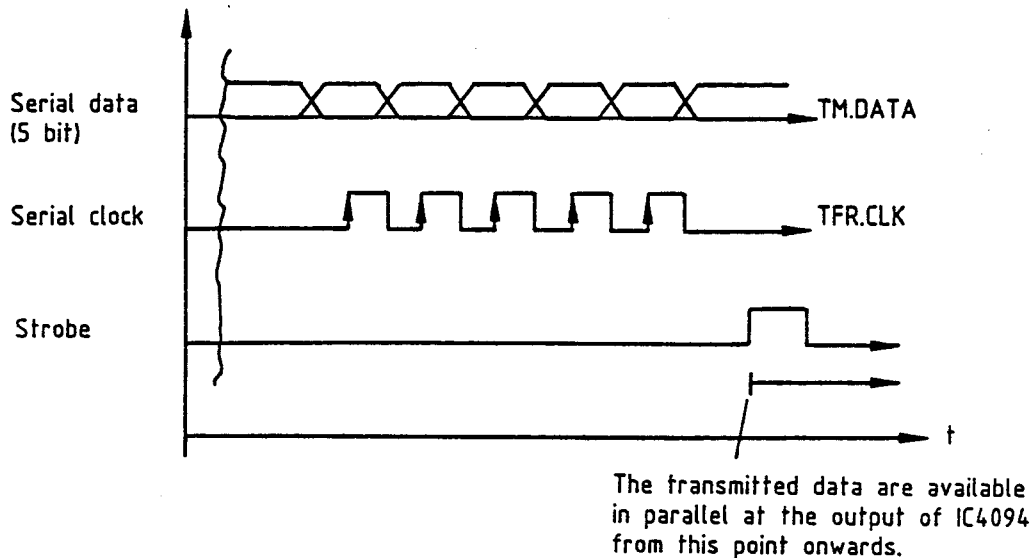
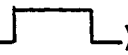


Fig. 5-2 Serial transmission of five data bits

Shift registers of type 4094 are used as receivers for the serially transmitted data. They are designed in two stages: an 8-bit shift register as the input stage and an 8-bit parallel latch as the output stage.

A pulse () applied to the strobe input loads the output latch with the current contents of the shift register. The two registers in the 4094 component are completely isolated for the remaining period.

The input shift register is connected to lines TRF.CLK and TM.DATA and accepts all data transmitted on these lines. Data transfer then takes place following a short strobe pulse.

Additional circuit

X12 can be fitted with a short-circuit jumper for test purposes in order to disable the power failure circuit located on the power pack module.

5.1.6 Interface for IEC Bus

The IEC-bus interface consisting of the ICs D50, D51 and D52 is a standard configuration with which the remote control interface is implemented according to the IEC 625 standard.

The interface is able to directly load data into the data memory or to read from it via the lines DRQO and DMA.SEL* and a DMA (direct memory access) channel of the microprocessor.

The interface automatically handles the data transfer protocol (handshake) on the IEC bus. Address functions and interface commands are processed without participation of the processor and the corresponding information stored in internal status registers. Input requests are passed on to the CPU via the interrupt line INT12.

5.1.7 Diagnostic Circuit with Voltmeter

The main component of the diagnostic circuit is the 12-bit analog/digital converter D10 which operates as an integrating dual-slope converter.

The reference voltage of 2.048 V supplied by N10 enables a resolution of 1 mV and a measuring range of -4.095 V to +4.095 V.

The input signals are applied via an input stage (N11, D18) with a selectable gain of 1:1 and 10:1 to the input of the A/D converter. They can also originate from other modules (via X1.A28) or from the processor module itself. In the latter case, the analog multiplexer D16, triggered by the addressable latch D17, connects one of the 8 inputs to the input of N11.

Further circuit details:

- a) Transistor V14 is connected through to measure the battery voltage and the battery loading in standby mode simulated using R32.
- b) The frequency of the A/D converter oscillator is determined by R13 and C24 and is 100 kHz $\pm 15\%$.

5.1.8 Reset Circuit

The reset circuit (with N80-I,II,III and V83) switches off the microprocessor and other active components if correct operation of the module cannot as yet or no longer be guaranteed such as before the supply has risen to +5 V or after it has fallen again.

A delay circuit is used to prolong the RES* signal for approx. 0.5 to 1 s when the supply voltage is already sufficiently high for operation, i.e. >4.7 V.

A key can be connected to X80 to simulate a power failure for test purposes.

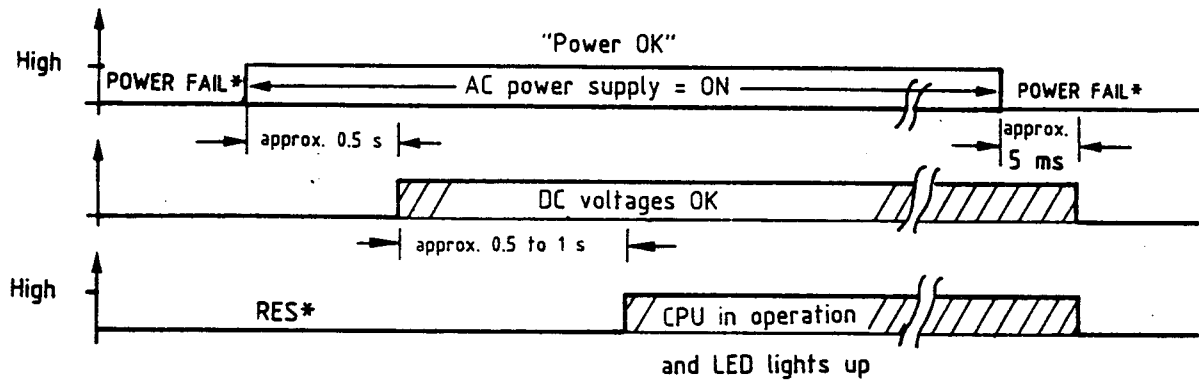


Fig. 5-3 On/off sequences in the power pack (not to scale)

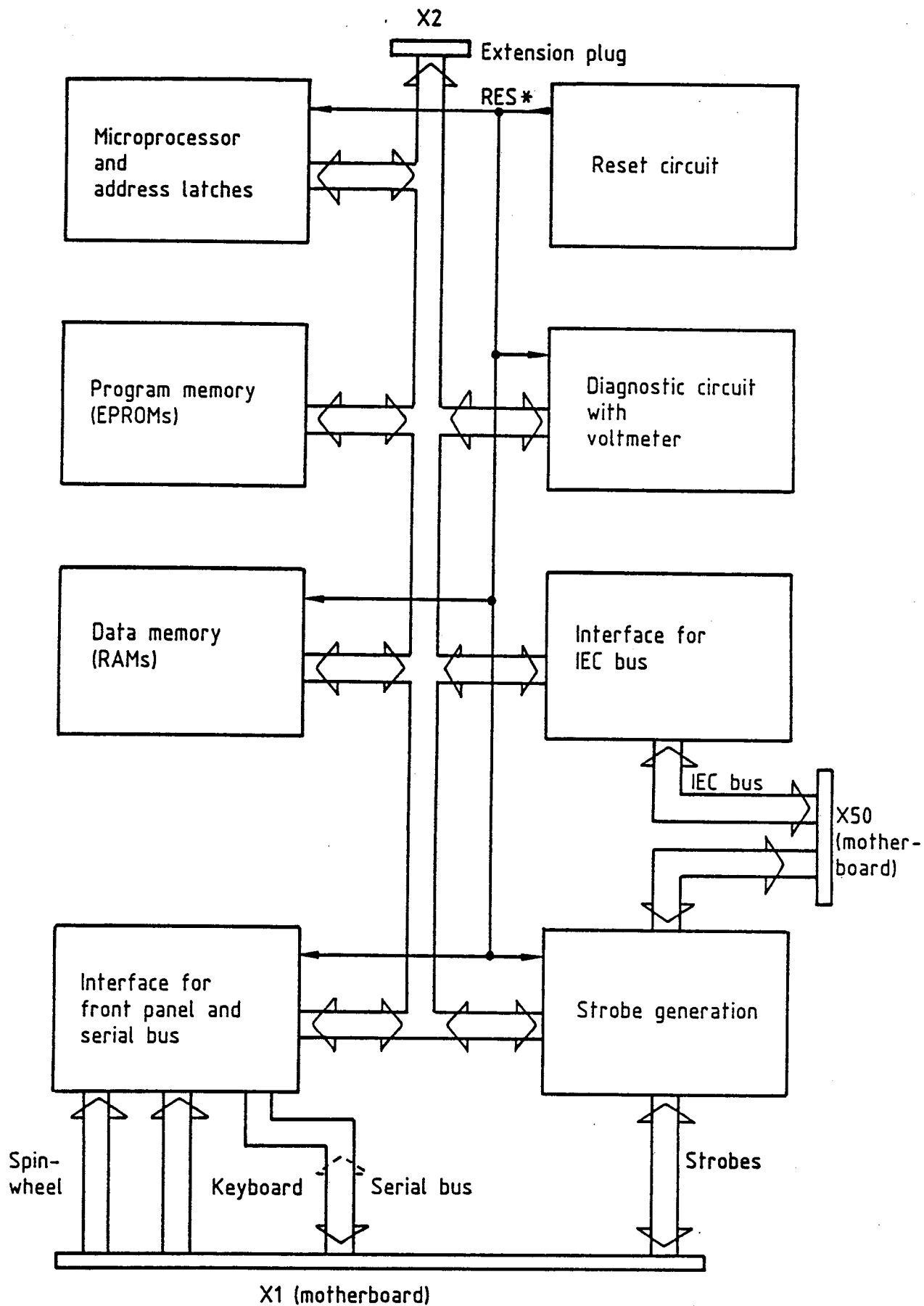


Fig. 5-4 Block diagram of processor

5.2 Adjustment

The voltage at test point P10 is adjusted to +2.048 V \pm 1 mV using R18.

5.3 Troubleshooting

Simple tests

(With digital voltmeter (DVM) and oscilloscope (SCOPE))

- Check all plug-in jumpers.
- Measure on the positive terminal of C1: $+5.2 \text{ V} \pm 0.25 \text{ V}$ (DVM).
- Measure on the positive terminal of C2: $+15 \text{ V} \pm 0.5 \text{ V}$ (DVM).
- Measure on the negative terminal of C3: $-15 \text{ V} \pm 0.4 \text{ V}$ (DVM).
- Measure on the positive terminal of C4: $+24 \text{ V} \pm 0.5 \text{ V}$ (DVM).
- The CLK.OUT signal at D1/56 is an 8-MHz TTL signal (SCOPE). Check crystal oscillator D1/58, 59 if a fault is present.
- The reset signals RES* (D1/24) and RESET (D1/57) are Low and High, respectively if LED V82 lights up (DVM).
- The reference voltage at X10 can be adjusted to $2.048 \text{ V} \pm 1 \text{ mV}$ using R18 (DVM).
- TTL signals can be measured at D40/50,49 using the oscilloscope as soon as the spinwheel is activated.
- All row lines (KEY.ROW1 to KEY.ROW7) are High and column lines (KEY.COL1 to KEY.COL8) are Low if no keys are pressed on the keyboard. The corresponding row line becomes Low if a key is pressed (DVM).
- LED V82 must immediately go out if X80 is short-circuited, e.g. by a test key. The LED may only light up again after approx. 0.5 to 1 s after opening the contact again. The microprocessor then runs through the power-up routine which can be recognized by initialization of the attenuation set.
- In AC power operation, the voltage at D70 or D71/26 must not be more than 0.2 V below the +5 V supply (V90). With the power supply switched off, the standby voltage supplied by the battery must be greater than 2.6 V at the same point (DVM).

Plug-in jumper configurations and use for test purposes

- X3 : Not used
- X4/1-2 : Normally closed
Open during test; enables connection of an external clock.
- X5 : Normally open
Closed during test; sets microprocessor into HOLD status and bus high-impedance.
- X12 : Normally open
Closed during test; separates the power failure signal (PWR.FAIL*) provided by the power pack.
- X40 : Not used
- X41/7-8 : Closed; constitutes the feedback of the serial transmit line to the unrequired receive line and thus enables a simple self-test of the IFPAS (D40).
- X51 : Normally open
Closed during test; interrupts the select signals to the interface circuits and thus prevents their activation.
- X52 : Used to connect an instrument for signature analysis.
- X70/1-2 : Closed if D70 and D71 are EPROMs of type 27256.
- X70/2-3 : Closed if D70 and D71 are EPROMs of type 27128.
- X80 : Enables connection of a reset key for test purposes.
- X90/1-2 : Closed if D90 and D91 are CMOS RAMs of type 6264.
- X90/2-3 : Closed if D90 and D91 are CMOS RAMs of type 6116.

5.4 Interfaces

Abbreviations: TS = Tristate line
 TTL = TTL compatible line
 OC = Open collector line
 PS = Power supply line
 I = Input
 O = Output
 * = Negation sign for signals with negative logic
 AL = Analog signal

Pin	Type of line	Signal direction	Designation/description
X1.A1	TTL	I	DREHG.DIR, spinwheel direction
X1.B1	TTL	I	DREHG.PULS, spinwheel pulse
X1.A3-A6	TTL (TS)	I/O	KEY.COL1 to KEY.COL8, columns of key matrix
X1.B3-B6			
X1.B7	TTL	O	EXT.RES*, external reset signal
X1.A7-A10	TTL	I	KEY.ROW1 to KEY.ROW7, rows of key matrix
X1.B8-B10			
X1.B11	TTL	O	DIS.STB3* } strobes to trigger the LCD controller on the front panel (display)
X1.A11	TTL	O	
X1.B12	TTL	O	
X1.A12	TTL	I	LCD.BUSY*, handshake signal
X1.B13	TTL	O	DIS.C/D*, command/data switchover
X1.A13	TTL	O	DIS.DAT, serial data line
X1.B14	TTL	O	DIS.CLK, serial clock line
X1.A14	TTL	O	LED.STB, strobe for LED triggering
X1.A16	TTL	I	PWR.FAIL*, power failure signal from power pack
X1.A17,B17	PS	--	GND, ground connection
X1.A18,B18	PS	--	+24 V line
X1.A19,B19	PS	--	-15 V line
X1.A20,B20	PS	--	+15 V line
X1.A21,B21	PS	--	+5 V line
X1.A22,B22	PS	--	GND, ground connection
X1.A23	TTL	I	FM.EXT, FM/PM signal

Pin	Type of line	Signal direction	Designation/description
X1.A24	TTL	I	AM.EXT, AM modulation signal
X1.B24	AL	I	EICH.TEST, test signal from attenuation set
X1.B25	TTL	I	HF.OVERLOAD, alarm signal from attenuation set
X1.A25,A26	TTL	O	MOD.STB1, MOD.STB2, strobes for setting the modulation control
X1.A27	TTL	O	TFR.CLK, serial clock to the RF modules
X1.B27	TTL	O	TM.DATA, serial data line
X1.A28	AL	I	TEST, analog signal line
X1.A29-A31	TTL	O	HF.STB1 to HF.STB6, strobes for setting the RF modules
X1.B28-B30			
X1.B31	TTL (OC)	I	LOOP.OK, alarm line of control loops
X1.A32,B32	PS	--	GND
X50.A1-A7	PS	--	GND
X50.C1			
X50.A9-A12	TTL	I/O	I.DAT1 to I.DAT8, data bus
X50.C9-C12	(OC, TS)		
X50.C2	TTL (TS)	I/O	I.ATN, ATTENTION line
X50.C3	TTL (OC)	I/O	I.SRQ, SERVICE REQUEST
X50.C4	TTL (TS)	I/O	I.IFC, INTERFACE CLEAR
X50.C5	TTL (OC)	I/O	I.NDAC, NOT DATA ACCEPTED
X50.C6	TTL (OC)	I/O	I.NRFD, NOT READY FOR DATA
X50.C7	TTL (TS)	I/O	I.DAV, DATA VALID
X50.C8	TTL (TS)	I/O	I.EOI, END OR IDENTIFY
X50.A8	TTL (TS)	I/O	I.REN, REMOTE ENABLE
X50.A13,C13	PS	--	GND
X50.A14	TTL	I	OPT.AVAIL, status signal from an external option
X50.C14	TTL (OC)	I	EXT.LOOPOK, control loop monitoring
X50.A15	TTL	O	EXT.TMDAT, serial transmitted data
X50.C15	TTL	O	EXT.STB, strobe for external option
X50.C16	TTL	O	EXT.TFRCLK, serial clock



ROHDE & SCHWARZ

Schaltteillisten

Stromläufe

Bestückungspläne

Part lists

Circuit diagrams

Components plans

Listes des pièces détachées


Schémas de Circuit

Plans des composants

Für diese Unterlage behalten wir uns alle Rechte vor.


Kennz. Comp. No.	Benennung Designation	Sachnummer Stock No.	Hersteller Manufacturer	Bezeichnung Designation	enthalten in contained in
	XX VARIANTENERKLAERUNG IDENTIFICATION OF MODELS VAR/MOD 02 = GRUNDAUSF. BASIC-MODEL VAR/MOD 04 = 2GHZ-VERSION				
B1	EQ 16,000000MHZ CL30HC43U CRYSTAL 16MHZ	EQ 0091.0321.00	PHILIPS	N. R&S SACHNUMMER	
C1	CE 220UF+-20%16V RM5 ELECTROLYTIC CAPACITOR	0008.7562.00	FROLYT	EKSO0CC322DG	
C2	CE 100UF+-20%35V RM5 ELECTROLYTIC CAPACITOR	0008.7510.00	PHILIPS_CO	2222 116 90042	
C3	CE 100UF+-20%35V RM5 ELECTROLYTIC CAPACITOR	0008.7510.00	PHILIPS_CO	2222 116 90042	
C4	CE 47UF+-20%63V RM5 ELECTROLYTIC CAPACITOR	0008.7440.00	PHILIPS_CO	2222 116 90112	
C5	CC 22PF+-2%4X5NPO CAPACITOR	CC 0087.6464.00	PHILIPS_CO	2222 678	
C6	CC 22PF+-2%4X5NPO CAPACITOR	CC 0087.6464.00	PHILIPS_CO	2222 678	
C7	CC 100NF+-10%50V5K120OVIE CAPACITOR	CC 0084.5350.00	UNION_CARB	CK 05 BX 104K	
C8	CC 10NF-20+50%7X8R4000 CAPACITOR	CC 0087.7525.00	VALVO	2222 640 51103	
C9	CC 10NF-20+50%7X8R4000 CAPACITOR	CC 0087.7525.00	VALVO	2222 640 51103	
C10	CC 10NF-20+50%7X8R4000 CAPACITOR	CC 0087.7525.00	VALVO	2222 640 51103	
C11	CC 10NF-20+50%7X8R4000 CAPACITOR	CC 0087.7525.00	VALVO	2222 640 51103	
C12	CC 10NF-20+50%7X8R4000 CAPACITOR	CC 0087.7525.00	VALVO	2222 640 51103	
C13	CC 10NF-20+50%7X8R4000 CAPACITOR	CC 0087.7525.00	VALVO	2222 640 51103	
C15	CC 10NF-20+50%7X8R4000 CAPACITOR	CC 0087.7525.00	VALVO	2222 640 51103	
C16	CC 10NF-20+50%7X8R4000 CAPACITOR	CC 0087.7525.00	VALVO	2222 640 51103	
C20	CC 10NF-20+50%7X8R4000 CAPACITOR	CC 0087.7525.00	VALVO	2222 640 51103	
C21	CK 68NF+-1%63V12X12X12 PP CAPACITOR	CK 0303.7067.00	SIEMENS	B33531-A5683-F	
C22	CK 30NF+-1%63V10QUX13 KP CAPACITOR	CK 0334.5808.00	SIEMENS	B33531-A5303-F	
C23	CK 68NF+-1%63V12X12X12 PP CAPACITOR	CK 0303.7067.00	SIEMENS	B33531-A5683-F	
C24	CC 82PF+-2%6X7NPO CAPACITOR	CC 0087.6535.00	PHILIPS_CO	2222 678 10 829	
C25	CK 1UF+-5%50V7,5X5,5X10,5 CAPACITOR	CK 0099.2998.00	SIEMENS	B32529-C5105-J189	
C26	CC 10NF-20+50%7X8R4000 CAPACITOR	CC 0087.7525.00	VALVO	2222 640 51103	
C27	CC 10NF-20+50%7X8R4000 CAPACITOR	CC 0087.7525.00	VALVO	2222 640 51103	
C28	CC 10NF-20+50%7X8R4000 CAPACITOR	CC 0087.7525.00	VALVO	2222 640 51103	
C29	CC 100PF+-2% 63V NPO CAPACITOR	0092.7442.10	STETTNER	EGPZ	
C30	CC 100PF+-2%6X9NPO CAPACITOR	CC 0087.6541.00	PHILIPS_CO	2222 678	
C31	CC 100PF+-2%6X9NPO CAPACITOR	CC 0087.6541.00	PHILIPS_CO	2222 678	
C32	CC 100PF+-2%6X9NPO CAPACITOR	CC 0087.6541.00	PHILIPS_CO	2222 678	
C33	CC 100PF+-2% 63V NPO CAPACITOR	0092.7442.10	STETTNER	EGPZ	
C34	CC 100PF+-2% 63V NPO CAPACITOR	0092.7442.10	STETTNER	EGPZ	
C35	CC 100PF+-2% 63V NPO CAPACITOR	0092.7442.10	STETTNER	EGPZ	
C36	CC 100PF+-2%6X9NPO CAPACITOR	CC 0087.6541.00	PHILIPS_CO	2222 678	
C37	CC 100PF+-2%6X9NPO CAPACITOR	CC 0087.6541.00	PHILIPS_CO	2222 678	
C38	CC 100PF+-2%6X9NPO CAPACITOR	CC 0087.6541.00	PHILIPS_CO	2222 678	

095.0026-0693

MEZ15	790 3PLU	Äi	Datum Date	Schaltteilliste für Parts list for	Sachnummer Stock No.	Blatt-Nr. Page
		40	03.05.99	ED RECHNER OHNE SOFTWARE PROCESSOR WITHOUT SOFTW.	0801.2410.01 SA	1+

wir uns alle Rechte vor.

Kennz. Comp. No.	Benennung Designation	Sachnummer Stock No.	Hersteller Manufacturer	Bezeichnung Designation	enthalten in contained in
C40	CC 10NF-20+50%7X8R4000 CAPACITOR	CC 0087.7525.00	VALVO	2222 640 51103	
C42	CC 100PF+-2% 63V NPO CAPACITOR	0092.7442.10	STETTNER	EGPZ	
C50	CC 10NF-20+50%7X8R4000 CAPACITOR	CC 0087.7525.00	VALVO	2222 640 51103	
C51	CC 10NF-20+50%7X8R4000 CAPACITOR	CC 0087.7525.00	VALVO	2222 640 51103	
C52	CC 10NF-20+50%7X8R4000 CAPACITOR	CC 0087.7525.00	VALVO	2222 640 51103	
C53	CC 10NF-20+50%7X8R4000 CAPACITOR	CC 0087.7525.00	VALVO	2222 640 51103	
C54	CC 220PF+-2%6X7N750 CAPACITOR	CC 0087.6941.00	PHILIPS_CO	2222 678 58221	
C58	CC 10NF-20+50%7X8R4000 CAPACITOR	CC 0087.7525.00	VALVO	2222 640 51103	
C61	CK 10NF+-5%63V RD2,5H7MKT CAPACITOR	CK 0099.2869.00	ROEDERSTEI	MKT 1826-310-014W	
C70	CC 10NF-20+50%7X8R4000 CAPACITOR	CC 0087.7525.00	VALVO	2222 640 51103	
C71	CC 10NF-20+50%7X8R4000 CAPACITOR	CC 0087.7525.00	VALVO	2222 640 51103	
C72	CC 100PF+-2% 63V NPO CAPACITOR	0092.7442.10	STETTNER	EGPZ	
C73	CC 100PF+-2% 63V NPO CAPACITOR	0092.7442.10	STETTNER	EGPZ	
C76	CC 100PF+-2% 63V NPO CAPACITOR	0092.7442.10	STETTNER	EGPZ	
C77	CC 100PF+-2% 63V NPO CAPACITOR	0092.7442.10	STETTNER	EGPZ	
C78	CC 100PF+-2% 63V NPO CAPACITOR	0092.7442.10	STETTNER	EGPZ	
C79	CC 100PF+-2% 63V NPO CAPACITOR	0092.7442.10	STETTNER	EGPZ	
C80	CK 100NF+-5%63VRD2,5H7MKT CAPACITOR	CK 0099.2930.00	SIEMENS	B 32 529-C104-J	
C81	CE 22 UF+-20%16V 7X 5X11 ELECTROLYTIC CAPACITOR	CE 0022.8091.00	KEMET	T340 C226M016 AS	
C82	CC 2,2NF+-20%63V6X7 K2000 CAPACITOR	0092.7865.00	STETTNER	EGPZ	
C83	CC 2,2NF+-20%63V6X7 K2000 CAPACITOR	0092.7865.00	STETTNER	EGPZ	
C84	CC 100PF+-2% 63V NPO CAPACITOR	0092.7442.10	STETTNER	EGPZ	
C90	CK 1UF+-5%50V7,5X5,5X10,5 CAPACITOR	CK 0099.2998.00	SIEMENS	B32529-C5105-J189	
C93	CC 100PF+-2%6X9NPO CAPACITOR	CC 0087.6541.00	PHILIPS_CO	2222 678	
C110	CC 47 PF+-2%63V5,5X6,5NPO CAPACITOR	0092.7407.00	STETTNER	EGPZ	
C111	CC 100PF+-2%6X9NPO CAPACITOR	CC 0087.6541.00	PHILIPS_CO	2222 678	
C112	CC 100PF+-2%6X9NPO CAPACITOR	CC 0087.6541.00	PHILIPS_CO	2222 678	
C113	CC 100PF+-2% 63V NPO CAPACITOR	0092.7442.10	STETTNER	EGPZ	
C118	CC 100PF+-2%6X9NPO CAPACITOR	CC 0087.6541.00	PHILIPS_CO	2222 678	
D1	BC R80186 16B.MCU IC EMBEDDED PROCESSOR	0393.1211.00	INTEL	R80186	
D2	BL MM74HC373N 8XD-LATCH OCTAL D-TYPE LATCH TRIST.	0645.6726.00	PHILIPS_SE	(PC)74HC373N(P)	
D3	BL MM74HC373N 8XD-LATCH OCTAL D-TYPE LATCH TRIST.	0645.6726.00	PHILIPS_SE	(PC)74HC373N(P)	
D10	BJ ICL7109C 1X12B-ADC A/D-CONVERTER	BJ 0337.6970.00	INTERSIL	ICL7109CPL	
D11	BL MM74HC74N 2XD-FLIPFL DUAL D FLIP-FLOP	0571.3171.00	PHILIPS_SE	(PC)74HC74N(P)	
D12	BL MM74HC244N 8XBUFF. 3S OCTAL BUFFER TRISTATE	0099.9763.00	PHILIPS_SE	(PC)74HC244N(P)	
D13	BL MM74HC244N 8XBUFF. 3S OCTAL BUFFER TRISTATE	0099.9763.00	PHILIPS_SE	(PC)74HC244N(P)	
D14	BL MM74HC08N 4X2IN ANDG QUAD 2INP. AND GATE	0571.3313.00	PHILIPS_SE	(PC)74HC08N(P)	
D15	BL MC74HC32N 4X2INP-OR-G QUAD 2-INPUT OR GATE	0571.3220.00	PHILIPS_SE	(PC)74HC32N(P)	

MEZ15	790 3PLU	Äi	Datum Date	Schaltteilliste für Parts list for	Sachnummer Stock No.	Blatt-Nr. Page
		40	03.05.99	ED RECHNER OHNE SOFTWARE PROCESSOR WITHOUT SOFTW.	0801.2410.01 SA	2+

095.0026-0693

Für diese Unterlage behalten
wir uns alle Rechte vor.

Kennz. Comp. No.	Benennung Designation	Sachnummer Stock No.	Hersteller Manufacturer	Bezeichnung Designation	enthalten in contained in
D16	BL MM74HC4051N 8CH.AN.MUX	0099.9670.00	PHILIPS	(PC)74HC4051N(P)	
D17	8CH.ANALOG MUX/DEMUX BL MM74HC259N 8B.A.LATCH	0394.9097.00	PHILIPS_SE	(PC)74HC259N(P)	
D18	8 BIT ADDRESSABLE LATCH BS TL601CP 1X ANALOGSCH	BJ 0213.4530.00	TEXAS	TL601CP [MJG]	
D19	ANALOG SWITCH BL MM74HC86N 4X2IN.EXOR	0571.3159.00	PHILIPS_SE	(PC)74HC86N(P)	
D20	QUAD 2-INP.EXCL.OR GATE BL MC74HC32N 4X2INP-OR-G	0571.3220.00	PHILIPS_SE	(PC)74HC32N(P)	
D21	QUAD 2-INPUT OR GATE BL MM74HC08N 4X2IN ANDG	0571.3313.00	PHILIPS_SE	(PC)74HC08N(P)	
D22	QUAD 2INP. AND GATE BL MM74HC04N 6XINVERTER	0571.3365.00	PHILIPS_SE	(PC)74HC04N(P)	
D23	HEX-INVERTER BL MM74HC04N 6XINVERTER	0571.3365.00	PHILIPS_SE	(PC)74HC04N(P)	
D40	HEX-INVERTER BG CLA3726 IFPAS ASIC	0801.8348.00	PLESSEY	CLA3726(PLCC)	
D41	IC GATEARRAY BL MM74HCOON 4X2IN.NAND	0571.3194.00	PHILIPS_SE	(PC)74HCOON(P)	
D42	QUAD 2-INPUT NAND GATE BL MM74HC259N 8B.A.LATCH	0394.9097.00	PHILIPS_SE	(PC)74HC259N(P)	
D50	8 BIT ADDRESSABLE LATCH BC NAT7210APD GPIB IF CON	0010.9198.00	NATIONAL/I	NAT7210APD	
D51	GPIB INTERFACE CONTROLLER BJ DS75160AN 8XBUS TRANSC	0345.6517.00	TEXAS	SN75160BN	
D52	IEEE-448 GPIB TRANSCEIVER BJ DS75161AN 8XBUS TRANSC	0345.6523.00	TEXAS	SN75161BN	
D58	IEEE-448 GPIB TRANSCEIVER BL MM74HC138N 3/8L.DECOD	0571.3165.00	PHILIPS_SE	(PC)74HC138N(P)	
D63	3-TO-8 LINE DECODER BL MM74HC259N 8B.A.LATCH	0394.9097.00	PHILIPS_SE	(PC)74HC259N(P)	
D64	8 BIT ADDRESSABLE LATCH BL MM74HC259N 8B.A.LATCH	0394.9097.00	PHILIPS_SE	(PC)74HC259N(P)	
D70	8 BIT ADDRESSABLE LATCH BC SOFTW.N.BESTUECKUNGSP	0344.6507.90			
D71	SOFTW. SEE COMPONENTSPLAN BC SOFTW.N.BESTUECKUNGSP	0344.6507.90			
D90	SOFTW. SEE COMPONENTSPLAN BC HM6264LP10 8KX8 SRAM	0813.9738.00	HYUNDAI	HY6264ALP-10	
D91	SRAM BC HM6264LP10 8KX8 SRAM	0813.9738.00	HYUNDAI	HY6264ALP-10	
G1	EB 3,4V LITHIUM-BATTERIE LI BATTERY	0565.1687.00	ACCU_SONNE	SL-750/P/009 1110750	
L1	LD 8UH 3A 0,0250HM CHOKE	LD 0026.4778.00	SIEMENS	B82111-B-C13	
L2	LD 15,0UH10%2,800HMO, 157A CHOKE	LD 0067.3001.00	DALE	IM2	
L3	LD 15,0UH10%2,800HMO, 157A CHOKE	LD 0067.3001.00	DALE	IM2	
L4	LD 15,0UH10%2,800HMO, 157A CHOKE	LD 0067.3001.00	DALE	IM2	
N10	BO CA3240AE 2XMOSFETOPAMP DUAL MOSFET-INPUT OPAMP	0302.7040.00	RCA	CA3240AE	
N11	BO LF156J FET OPAMP OPERATIONAL AMPLIFIER	BO 0645.7251.00	ANALOG_DEV	PM156Z	
N80	BO LM339N 4X COMPAR COMPARATOR	0342.2062.00	NSC	LM339N	
P2	FP STECKERLEISTE 64POL. 64-PIN INSERT	FP 0290.1255.00	ERNI	043.278	
P5	VL WIRE-WRAP PIN L=11,6 WIRE-WRAP PIN	0088.4542.00	DUPONT CON	75403-003	
P7	VL WIRE-WRAP PIN L=11,6 WIRE-WRAP PIN	0088.4542.00	DUPONT CON	75403-003	
P10	VL WIRE-WRAP PIN L=11,6 WIRE-WRAP PIN	0088.4542.00	DUPONT CON	75403-003	
P11	VL WIRE-WRAP PIN L=11,6 WIRE-WRAP PIN	0088.4542.00	DUPONT CON	75403-003	
P12	VL WIRE-WRAP PIN L=11,6 WIRE-WRAP PIN	0088.4542.00	DUPONT CON	75403-003	
P30 ..37	XX ENTHALTEN IN INCLUDED IN LEITERPLATTE/PCB				

MEZ15

790 3PLU

Äi

Datum
Date

Schaltteilliste für
Parts list for

Sachnummer
Stock No.

Blatt-Nr.
Page



ROHDE & SCHWARZ

40

03.05.99

ED RECHNER OHNE SOFTWARE
PROCESSOR WITHOUT SOFTW.


0801.2410.01 SA

3+

Wir uns alle Rechte vor.


Kennz. Comp. No.	Benennung Designation	Sachnummer Stock No.	Hersteller Manufacturer	Bezeichnung Designation	enthalten in contained in
P40	VL WIRE-WRAP PIN L=11,6	0088.4542.00	DUPONT CON	75403-003	
P51	WIRE-WRAP PIN VL WIRE-WRAP PIN L=11,6	0088.4542.00	DUPONT CON	75403-003	
P52	WIRE-WRAP PIN FP STIFTELEISTE 36P.R2,54 PIN CONNECTOR	FP 0242.3600.00	MPE	STL1-1180-14GGT8-036	
P80	1X4POLE/PINS VL WIRE-WRAP PIN L=11,6	0088.4542.00	DUPONT CON	75403-003	
P81	WIRE-WRAP PIN VL WIRE-WRAP PIN L=11,6	0088.4542.00	DUPONT CON	75403-003	
P100	WIRE-WRAP PIN XX ENTHALTEN IN INCLUDED IN				
P101	LEITERPLATTE/PCB XX ENTHALTEN IN INCLUDED IN LEITERPLATTE/PCB				
R1	RL 0,60W 10,0KOHM+-1%TK50	RL 0083.1297.00	PHILIPS_CO	MRS 25	
R2	RESISTOR RL 0,60W 10,0KOHM+-1%TK50	RL 0083.1297.00	PHILIPS_CO	MRS 25	
R3	RESISTOR RL 0,60W 10,0KOHM+-1%TK50	RL 0083.1297.00	PHILIPS_CO	MRS 25	
R4	RESISTOR RL 0,60W 1KOHM+-1%TK50	RL 0082.2160.00	PHILIPS_CO	MRS 25	
R5	RESISTOR RL 0,60W 1KOHM+-1%TK50	RL 0082.2160.00	PHILIPS_CO	MRS 25	
R9	RESISTOR RL 0,60W 27,4KOHM+-1%TK50	RL 0082.2583.00	RESISTA	MK2	
R10	RESISTOR RL 0,60W 825 OHM+-1%TK50	RL 0082.2502.00	RESISTA	MK2	
R11	RESISTOR RL 0,60W 10,0KOHM+-1%TK50	RL 0083.1297.00	PHILIPS_CO	MRS 25	
R12	RESISTOR RL 0,60W 205 KOHM+-1%TK50	RL 0083.2241.00	RESISTA	MK2	
R13	RESISTOR RL 0,60W 53,6KOHM+-1%TK50	RL 0082.2590.00	RESISTA	MK2	
R14	RESISTOR RL 0,60W 2,00KOHM+-1%TK50	RL 0083.0826.00	RESISTA	MK2	
R15	RESISTOR RL 0,60W 475 OHM+-1%TK50	RL 0083.0390.00	PHILIPS_CO	MRS 25	
R16	RESISTOR RL 0,60W 1,65KOHM+-1%TK50	RL 0083.0761.00	RESISTA	MK2	
R17	RESISTOR RL 0,60W 1,13KOHM+-1%TK50	RL 0082.2383.00	RESISTA	MK2	
R18	RS 0,5W200 OHM+-10%10X10X CERMET POTENTIOMETER T	RS 0087.7554.00	BI_TECHNOL	72PM	
R19	RESISTOR RL 0,60W 715 OHM+-1%TK50	RL 0083.0510.00	RESISTA	MK2	
R21	RESISTOR RL 0,60W 11,3KOHM+-1%TK50	RL 0082.2202.00	RESISTA	MK2	
R22	RESISTOR RL 0,60W 102KOHM+-1%TK50	RL 0083.2012.00	DRALORIC	SMA 0207	
R23	RESISTOR RL 0,60W 100 OHM+-1%TK50	RL 0082.6543.00	PHILIPS_CO	MRS 25	
R24	RESISTOR RL 0,60W 10,0KOHM+-1%TK50	RL 0083.1297.00	PHILIPS_CO	MRS 25	
R25	RESISTOR RL 0,60W 24,3KOHM+-1%TK50	RL 0083.1574.00	RESISTA	MK2	
R26	RESISTOR RL 0,60W 2,21KOHM+-1%TK50	RL 0082.2477.00	RESISTA	MK2	
R27	RESISTOR RL 0,60W 13,0KOHM+-1%TK50	RL 0083.1368.00	RESISTA	MK2	
R28	RESISTOR RL 0,60W 2,00KOHM+-1%TK50	RL 0083.0826.00	RESISTA	MK2	
R29	RESISTOR RL 0,60W 16,9KOHM+-1%TK50	RL 0083.1451.00	PHILIPS_CO	MRS 25	
R30	RESISTOR RL 0,60W 22,1KOHM+-1%TK50	RL 0083.1545.00	RESISTA	MK2	
R31	RESISTOR RL 0,60W 68,1KOHM+-1%TK50	RL 0082.2602.00	RESISTA	MK2	
R32	RESISTOR RL 0,60W 27,4KOHM+-1%TK50	RL 0082.2583.00	RESISTA	MK2	
R33	RESISTOR RL 0,60W 4,75KOHM+-1%TK50	RL 0083.1097.00	PHILIPS_CO	MRS 25	
R34	RESISTOR RL 0,60W4,75MOHM+-1%TK50 METALFILMRESISTOR	RL 0099.8250.00	PHILIPS_CO	MRS 25	

095.0026-0693

MEZ15	790 3PLU	Äl	Datum Date	Schaltteilliste für Parts list for	Sachnummer Stock No.	Blatt-Nr. Page
	40	03.05.99	ED RECHNER OHNE SOFTWARE PROCESSOR WITHOUT SOFTW.	0801.2410.01 SA	4+	

Für diese Unterlage behalten wir uns alle Rechte vor.


Kennz. Comp. No.	Benennung Designation	Sachnummer Stock No.	Hersteller Manufacturer	Bezeichnung Designation	enthalten in contained in
R35	RL 0,60W 10,0KOHM+-1%TK50 RESISTOR	RL 0083.1297.00	PHILIPS_CO	MRS 25	
R36	RL 0,60W 10,0KOHM+-1%TK50 RESISTOR	RL 0083.1297.00	PHILIPS_CO	MRS 25	
R37	RL 0,60W 10,0KOHM+-1%TK50 RESISTOR	RL 0083.1297.00	PHILIPS_CO	MRS 25	
R40	RL 0,60W 10,0KOHM+-1%TK50 RESISTOR	RL 0083.1297.00	PHILIPS_CO	MRS 25	
R41	RL 0,60W 10,0KOHM+-1%TK50 RESISTOR	RL 0083.1297.00	PHILIPS_CO	MRS 25	
R42	RL 0,60W 10,0KOHM+-1%TK50 RESISTOR	RL 0083.1297.00	PHILIPS_CO	MRS 25	
R43	RL 0,60W 47,5KOHM+-1%TK50 RESISTOR	RL 0083.1800.00	RESISTA	MK2	
R47	RL 0,60W 10,0KOHM+-1%TK50 RESISTOR	RL 0083.1297.00	PHILIPS_CO	MRS 25	
R48	XX TRIMMWERT SELECTED				
R49	XX TRIMMWERT SELECTED				
R50	RL 0,60W 10,0KOHM+-1%TK50 RESISTOR	RL 0083.1297.00	PHILIPS_CO	MRS 25	
R53	RL 0,60W 10,0KOHM+-1%TK50 RESISTOR	RL 0083.1297.00	PHILIPS_CO	MRS 25	
R60	XX TRIMMWERT SELECTED				
R61	XX TRIMMWERT SELECTED				
R62	RN 7X 10KOHM+-2%SIL 8 H5 RESISTOR NETWORK	RN 0581.2184.00	BI_TECHNOL	L 08 1 S 103 M*	
R63	RN 9X47 KOHM+-2% SIL10 H5 RESISTOR NETWORK	RN 0341.9286.00	BI_TECHNOL	L 10 1 S 473 M*	
R64	RN 9X3,3KOHM+-2%SIL10 H5 RESISTOR NETWORK	RN 0340.2765.00	BI_TECHNOL	L 10 1 S 332 M*	
R65	RL 0,60W 47,5KOHM+-1%TK50 RESISTOR	RL 0083.1800.00	RESISTA	MK2	
R66	RL 0,60W 47,5KOHM+-1%TK50 RESISTOR	RL 0083.1800.00	RESISTA	MK2	
R73	RL 0,60W 47,5KOHM+-1%TK50 RESISTOR	RL 0083.1800.00	RESISTA	MK2	
R80	RL 0,60W 2,55KOHM+-1%TK50 RESISTOR	RL 0082.2354.00	RESISTA	MK2	
R81	RL 0,60W 2,00KOHM+-1%TK50 RESISTOR	RL 0083.0826.00	RESISTA	MK2	
R82	RL 0,60W 47,5KOHM+-1%TK50 RESISTOR	RL 0083.1800.00	RESISTA	MK2	
R83	RL 0,60W 150 OHM+-1%TK50 RESISTOR	RL 0082.9942.00	RESISTA	MK2	
R84	RL 0,60W 10,0KOHM+-1%TK50 RESISTOR	RL 0083.1297.00	PHILIPS_CO	MRS 25	
R85	RL 0,60W 100KOHM+-1%TK50 RESISTOR	RL 0082.1764.00	RESISTA	MK2	
R86	RL 0,60W 2,00KOHM+-1%TK50 RESISTOR	RL 0083.0826.00	RESISTA	MK2	
R87	RL 0,60W 2,00KOHM+-1%TK50 RESISTOR	RL 0083.0826.00	RESISTA	MK2	
R88	RL 0,60W 2,21KOHM+-1%TK50 RESISTOR	RL 0082.2477.00	RESISTA	MK2	
R89	RL 0,60W 200 OHM+-1%TK50 RESISTOR	RL 0083.0049.00	PHILIPS_CO	MRS 25	
R90	RL 0,60W3,92MOHM+-1%TK50 METALFILMRESISTOR	RL 0099.8238.00	RESISTA	MK2	
R91	RL 0,60W 2,21KOHM+-1%TK50 RESISTOR	RL 0082.2477.00	RESISTA	MK2	
R92	RL 0,60W 10,0KOHM+-1%TK50 RESISTOR	RL 0083.1297.00	PHILIPS_CO	MRS 25	
. .98					
R100	RN 9X 10KOHM+-SIL10 H5 RESISTOR NETWORK	RN 0343.4523.00	BI_TECHNOL	L 10 1 S 103 M*	
R101	RN 9X 10KOHM+-SIL10 H5 RESISTOR NETWORK	RN 0343.4523.00	BI_TECHNOL	L 10 1 S 103 M*	
R102	RN 9X 10KOHM+-SIL10 H5 RESISTOR NETWORK	RN 0343.4523.00	BI_TECHNOL	L 10 1 S 103 M*	
R103	RL 0,60W 10,0KOHM+-1%TK50 RESISTOR	RL 0083.1297.00	PHILIPS_CO	MRS 25	
R104	RL 0,60W 10,0KOHM+-1%TK50 RESISTOR	RL 0083.1297.00	PHILIPS_CO	MRS 25	
R110	RL 0,60W 100 OHM+-1%TK50 RESISTOR	RL 0082.6543.00	PHILIPS_CO	MRS 25	

MEZ15	790 3PLU	ÄI	Datum Date	Schaltteilliste für Parts list for	Sachnummer Stock No.	Blatt-Nr. Page
		40	03.05.99	ED RECHNER OHNE SOFTWARE PROCESSOR WITHOUT SOFTW.	0801.2410.01 SA	5+

095.0026-0693

Kennz. Comp. No.	Benennung Designation	Sachnummer Stock No.	Hersteller Manufacturer	Bezeichnung Designation	enthalten in contained in
R112	RL 0,60W 1KOHM+-1%TK50 RESISTOR	RL 0082.2160.00	PHILIPS_CO	MRS 25	
R113	RL 0,60W 1KOHM+-1%TK50 RESISTOR	RL 0082.2160.00	PHILIPS_CO	MRS 25	
R200	RL 0,60W 10,0KOHM+-1%TK50 RESISTOR	RL 0083.1297.00	PHILIPS_CO	MRS 25	
V1	AE BZX55/B6V2 0,5W ZDI ZENER DIODE	AE 0012.2161.00	PHILIPS	BZX79B6V2	
V10	AE BZX79B10 0,5W ZDI ZENER DIODE	AE 0289.4302.00	VALVO	BZX79B10	
V11	AE BZX79B3V9 2% 0.5W ZDI ZENER	AE 0008.7685.00	PHILIPS_SE	BZX79B3V9	
V12	AE BZX79B3V9 2% 0.5W ZDI ZENER	AE 0008.7685.00	PHILIPS_SE	BZX79B3V9	
V13	AE ICL8069DCQ 1,2V REF DI REFERENCE DIODE	AE 0332.3908.00	HARRIS	ICL8069DCSQ	
V14	AK BCY59IX N 45V 200MA TRANSISTOR	AK 0010.5163.00	VALVO	BCY59IX	
V17	AD 1N4448 75V UDI DIODE	AD 0012.0700.00	PHILIPS_SE	1N4448 "	
V40	AK BCY59IX N 45V 200MA TRANSISTOR	AK 0010.5163.00	VALVO	BCY59IX	
V80	AD 1N4448 75V UDI DIODE	AD 0012.0700.00	PHILIPS_SE	1N4448 "	
V82	AF HLMP1719 LED3 GE585N LED	0099.9140.00	QUALITY	HLMP-1719.L31S	
V83	AK BCY79IX P 45V 200MA TRANSISTOR	AK 0010.3777.00	VALVO	BCY79IX	
V90	AK BCY79IX P 45V 200MA TRANSISTOR	AK 0010.3777.00	VALVO	BCY79IX	
V91	AK BCY59IX N 45V 200MA TRANSISTOR	AK 0010.5163.00	VALVO	BCY59IX	
V92	AK 2N2369A N 15V 200MA TRANSISTOR	AK 0010.4680.00	VALVO	2N2369A ODER BSX20	
V93	AK 2N2369A N 15V 200MA TRANSISTOR	AK 0010.4680.00	VALVO	2N2369A ODER BSX20	
V94	AD 1N4448 75V UDI DIODE	AD 0012.0700.00	PHILIPS_SE	1N4448 "	
V95	AE 5082-2800 SCHOTTKY DIODE	0012.9066.00	HEWLETT_PA	5082-2800	
V96	AD 1N4151 50V OA2 UDI DIODE	AD 0012.0723.00	VALVO	1N4151 GEGURTET	
V97	AD 1N4151 50V OA2 UDI DIODE	AD 0012.0723.00	VALVO	1N4151 GEGURTET	
X1	FP STECKERLEISTE 64POLIG 64-PIN INSERT	FP 0084.6470.00	DEUT_ELCO	10 8457 064 002 025	
X3	VL WIRE-WRAP PIN L=11,6 WIRE-WRAP PIN	0088.4542.00	DUPONT CON	75403-003	
X4	VL WIRE-WRAP PIN L=11,6 WIRE-WRAP PIN	0088.4542.00	DUPONT CON	75403-003	
X41	FP STIFTLISTE 36P.R2,54 PIN CONNECTOR 1X8POLE/PINS	FP 0242.3600.00	MPE	STL1-1180-14GGT8-036	
X50	FP STECKERLEISTE 32P.KURZ MULTIPOINT CONNECTOR	FP 0565.8100.00	DEUT_ELCO	10 8457 048 002 026	
X53	VL WIRE-WRAP PIN L=11,6 WIRE-WRAP PIN	0088.4542.00	DUPONT CON	75403-003	
X70	VL WIRE-WRAP PIN L=11,6 WIRE-WRAP PIN	0088.4542.00	DUPONT CON	75403-003	
X90	VL WIRE-WRAP PIN L=11,6 WIRE-WRAP PIN	0088.4542.00	DUPONT CON	75403-003	
X6A	VL WIRE-WRAP PIN L=11,6 WIRE-WRAP PIN	0088.4542.00	DUPONT CON	75403-003	
X6D	VL WIRE-WRAP PIN L=11,6 WIRE-WRAP PIN	0088.4542.00	DUPONT CON	75403-003	

Wir uns alle Rechte vor.

MEZ15	790 3PLU	Äi	Datum Date	Schaltteilliste für Parts list for	Sachnummer Stock No.	Blatt-Nr. Page
		40	03.05.99	ED RECHNER OHNE SOFTWARE PROCESSOR WITHOUT SOFTW.	0801.2410.01 SA	6-

095.0026-0693

BESTUECKUNGSPLAN / COMPONENTS PLAN

BENENNUNG SOFTWARE SOFTWARE DESIGNATION		BEN. DER ZUEGH. INFORMATIONSTRAEGER NAMES OF APPERTAINING DATA MEDIA	SACHNUMMER STOCK NO
		HS EPROM-SATZ	843.4505
EL. KENNZEICHEN DER BAUGRUPPE EL. DESIGNATION OF SUBASSEMBLY	EL. KENZ. DES PROG. INFOTRAEGERS EL. DESIGNATION OF DATA MEDIA USED	BENENNUNG DESIGNATION	SACHNUMMER STOCK NO
A5		ED RECHNER OHNE SOFTWARE VAR/MOD 52	801.2410.04
A5		ED RECHNER OHNE SOFTWARE VAR/MOD 53	843.4705.02
	D70	HS D27256 PROGRAM. (D70)	843.4511
	D71	HS D27256 PROGRAM. (D71)	843.4528

PRUEFANWEISUNG / TESTING INSTRUCTIONS : T

ANMERKUNG: BESTEHT EINE SOFTWARE AUS MEHREREN INFORMATIONSTRAEGERN, MUESSEN BEI AUSTAUSCH
IMMER ALLE INFORMATIONSTRAEGER DIESER SOFTWARE GEWECHSELT WERDEN !!
(ADRESSENAENDERUNG MOEGLICH !)

NOTE: IF SOFTWARE IS STORED ON SEVERAL DATA MEDIA, ALL MEDIA MUST BE EXCHANGED IN CASE OF
A REPLACEMENT OF SOFTWARE (ADDRESS-MODIFICATIONS POSSIBLE !)

ROHDE & SCHWARZ				DRUCK	ABT	NAME	BENENNUNG / DESIGNATION :	
				25.02.88	1KGB	LS	BESTUECKUNGSPLAN	
				TYP	:	SMH	ZEICHN.-NR./DRAWING NO	BLATT
							845.4031.00 BP	1-
AEI	AEND.M.	DATUM	NAME	REG.I.V	843.3009.00 V	845.4031.00 BP		v.



ROHDE & SCHWARZ

SERVICEUNTERLAGEN

Baugruppe "NF-Generator"

801.7312.02

Printed in West Germany

ENGLISH SERVICE MANUAL FOLLOWS FIRST COLOURED DIVIDER

Inhaltsübersicht

	Seite
5	<u>Serviceanleitung Baugruppe "NF-Generator"</u> 5.1
5.1	Funktionsbeschreibung 5.1
5.2	Prüfen und Abgleichen 5.3
5.2.1	Abgleich 5.3
5.2.2	Prüfen der Eingangswahlschaltungen 5.3
5.2.3	Prüfen des NF-Generators 5.3
5.3	Fehlersuche 5.5
5.4	Schnittstellen 5.6
	Schaltteillisten
	Stromläufe
	Bestückungspläne

5.1 Funktionsbeschreibung

(Hierzu Stromlauf 801.7312 S und Bild 5-1)

Die Baugruppe "NF-Generator" besteht aus drei Funktionseinheiten:

- AM-Eingangswahlschaltung
- FM-Eingangswahlschaltung
- interner Modulationsgenerator

Die AM- und FM-Eingangsschaltungen sind identisch aufgebaut. Im folgenden Text wird die Funktion der AM-Schaltung beschrieben, die entsprechenden Bauteile für die FM-Schaltung sind in Klammern angegeben.

Eingangswahlschaltungen

Mit dem Eingangswahlschalter N8 (N9) wird zwischen AM EXT AC, AM EXT DC und AM INT (FM EXT AC, FM EXT DC und FM INT) unterschieden.

Das AM EXT-Signal wird über den Steckeranschluß X1.A31 (X1.A30) zugeführt. Der Eingangswiderstand kann durch Umstecken der Brücke X13 (X11) zwischen 600 Ω und 100 k Ω gewählt werden. Die Dioden V7 und V8 (V13 und V14) dienen als Überspannungsschutz. Über den Eingangsverstärker N5 (N2) gelangt das externe Signal über C21 (C12) auf den Eingangswahlschalter N8 (N9). Bei AM EXT DC (FM EXT DC) ist der jeweilige Kondensator überbrückt. Gleichzeitig gelangt die interne Generatorspannung an den Eingang des Schalters N8 (N9).

Mit den nachfolgenden Verstärkern N4 (N3) wird das gewählte Modulationssignal an den nachfolgenden Modulationssteuerteil der Baugruppe "Ausgangsstufe" (AM) bzw. der Baugruppe "HF-Oszillator" (FM) weitergeleitet (über X1.A28 bzw. X1.A29). Über die Verstärkung werden die Schaltverluste ausgeglichen.

Das externe Modulationssignal wird außerdem über einen Verstärker einem Gleichrichter zugeführt. Die Gleichrichterspannung wird zur Überwachung der Eingangsspannung am AM EXT-Eingang (FM EXT-Eingang) benötigt.

Interner Generator

Der interne Generator kann acht verschiedene Modulationsfrequenzen generieren. Er ist als Wien-Robinson-Brücke aufgebaut. Die Widerstände der frequenzbestimmenden RC-Glieder werden mit den Multiplexerbausteinen N6 und N7 umgeschaltet. Um die Schwingbedingung zu erhalten, wird die Verstärkung mit einem FET (V1) geregelt. Die Generatorspannung wird hierzu gleichgerichtet und mit einer abgleichbaren Referenzspannung verglichen. Ein Regelverstärker stellt die Schleifenverstärkung entsprechend nach. Über V6 kann der Generator ausgeschaltet werden.

Die gleichgerichtete Generatorspannung wird über N9 und X1.A27 zu Diagnosezwecken der Baugruppe "Rechner" zugeführt.

Die Baugruppe "NF-Generator" wird über einen seriellen Datenbus angesteuert. Die Daten werden hierbei in die zwei Latchbausteine D1 und D2 eingelesen.

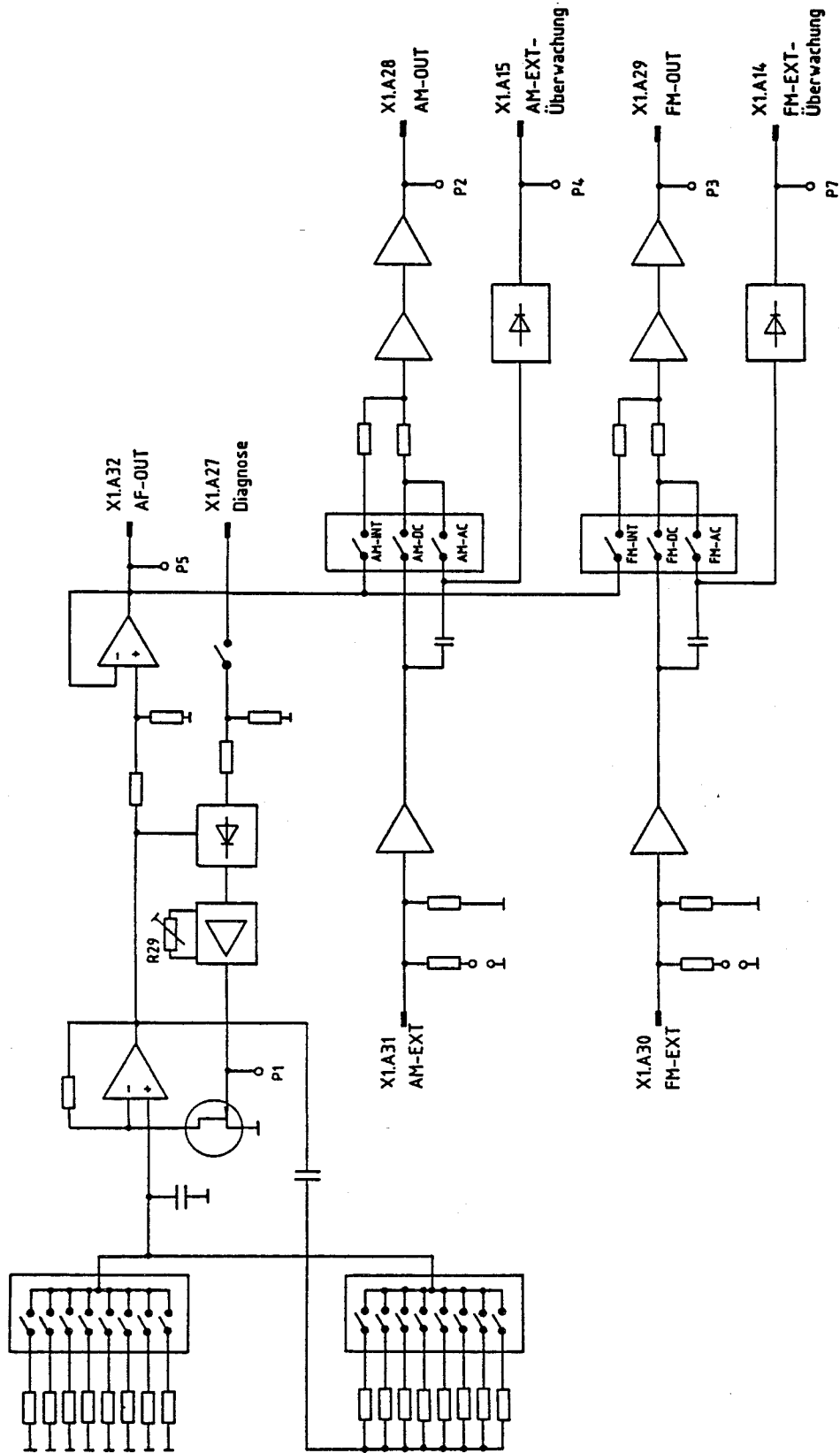


Bild 5-1 Blockschaltbild NF-Generator

5.2 Prüfen und Abgleichen

5.2.1 Abgleich

- Internen Modulationsgenerator auf 1 kHz einstellen.
- An Buchse AF INT ein AC-Voltmeter anschließen.
- Mit R29 auf 1,00 V ($\pm 0,01$ V) abgleichen.

5.2.2 Prüfen der Eingangswahlschaltungen

- Die Baugruppe "NF-Generator" über das Serviceadapterkabel anschließen und AM EXT einschalten.
- An Buchse AM EXT ein Signal von 1 kHz/1 V (U_{eff}) anlegen. An P2 muß eine NF-Spannung von 1 V messbar sein. An P4 muß eine DC-Spannung von +2,5 V ($\pm 0,06$ V) anliegen.
- NF-Frequenzgang an P2 und P4 messen. Er soll bei konstanter Eingangsspannung an der Buchse AM EXT $\pm 0,1$ dB nicht überschreiten.
- An Buchse AM EXT eine DC-Spannung von +1,4 V anlegen. Auf AM DC-Betrieb umschalten. An P2 muß eine DC-Spannung von +1,4 V (± 1 %) meßbar sein.
- Auf AM INT-Betrieb umschalten. An P2 muß eine NF-Spannung von 1 V (± 1 %) meßbar sein.

Die FM-Eingangswahlschaltung wird auf die gleiche Weise geprüft.

5.2.3 Prüfen des NF-Generators

- An P5 ein AC-Voltmeter anschließen.
- An Buchse AF INT einen Frequenzzähler und an P1 ein DC-Voltmeter anschließen.
- Prüfung nach Tabelle 5-1 durchführen.

Tabelle 5-1

Ein- stellung	Spannung an P5 AC $\pm 0,5 \%$	Buchse AF INT Frequenz $\pm 3 \%$	Spannung an P1 DC	Bemerkung
40 Hz	1,0 V	40 Hz	-1,5...-3,5 V	
150 Hz	1,0 V	150 Hz	-1,5...-3,5 V	
300 Hz	1,0 V	300 Hz	-1,5...-3,5 V	
400 Hz	1,0 V	400 Hz	-1,5...-3,5 V	
1 kHz	1,0 V	1 kHz	-1,5...-3,5 V	
3 kHz	1,0 V	3 kHz	-1,5...-3,5 V	
6 kHz	1,0 V	6 kHz	-1,5...-3,5 V	
15 kHz	1,0 V	15 kHz	-1,5...-3,5 V	
AF OFF	0	0	<-3,5 V	Gen. off

Der Klirrfaktor (k_{ges}) muß bei allen Frequenzen $< 0,2 \%$ und bei 1 kHz $< 0,07 \%$ sein (Meßbandbreite 100 kHz).

5.3 Fehlersuche

Die AM- bzw. FM-Eingangswahlschaltungen können durch Vergleich von AM mit FM (oder umgekehrt) unter Berücksichtigung von Kapitel 5.2.2 repariert werden.

Der NF-Generator wird nach Kapitel 5.2.3 repariert.

5.4 Schnittstellen

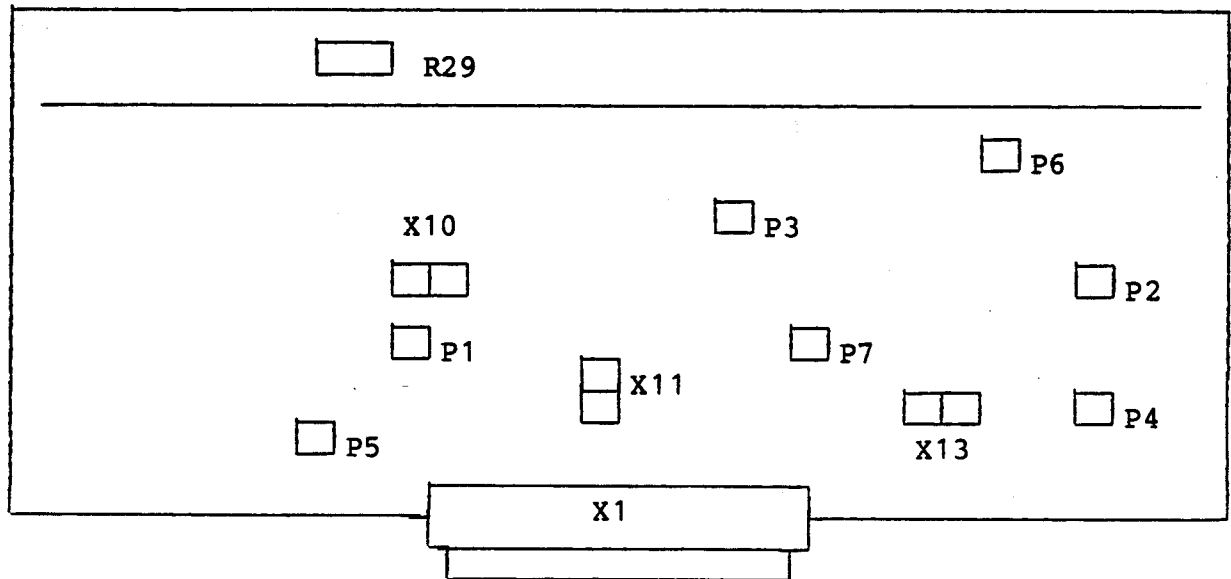


Bild 5-2 Anordnung der Abgleichelemente

Analoge Schnittstellen

Bezeichnung	Funktion	Frequenz	Pegel (U_{eff})
X1.A14	FM EXT-Überwachung	DC	2,5 V ($\pm 0,06$ V)
X1.A15	AM EXT-Überwachung	DC	2,5 V ($\pm 0,06$ V)
X1.A28	AM-Ausgang	0.....50 kHz	1 V
X1.A29	FM-Ausgang	0....100 kHz	1 V
X1.A30	FM EXT-Eingang	0....100 kHz	1 V
X1.A31	AM EXT-Eingang	0.....50 kHz	1 V
X1.A32	AF-Ausgang	40 Hz..15 kHz	1 V

Digitale Schnittstellen (C-MOS)

Bezeichnung	Funktion	Bemerkung
X1.A25	Dateneingang	seriell
X1.A24	Clock	
X1.A23	Strobe	
X1.A27	Diagnose-Ausgang	für NF-Generator

Versorgungsspannungen

Bezeichnung	Spannung
X1.A21	+5 V
X1.A20	+15 V
X1.A19	-15 V
X1.A11,A12,A13,A16,A26	Masse



ROHDE & SCHWARZ

SERVICE DOCUMENTS

AF Generator Module

801.7312.02

Printed in West Germany



Contents

	Page
5	Service Manual for AF Generator Module 5.1
5.1	Function Description 5.1
5.2	Checking and Adjustments 5.3
5.2.1	Adjustment 5.3
5.2.2	Checking the Input Selection Circuits 5.3
5.2.3	Checking the AF Generator 5.3
5.3	Troubleshooting 5.5
5.4	Interfaces 5.6

Component lists
Circuit diagrams
Component layout diagrams

5.1 Function Description

(See circuit diagram 801.7312 S and Fig. 5-1)

The AF generator module consists of three functional units:

- AM input selection circuit
- FM input selection circuit
- Internal modulation generator

The AM and FM input circuits are of identical design. The function of the AM circuit is described below, the corresponding components for the FM circuit are shown in brackets.

Input selection circuits

The input selector N8 (N9) is used to select between AM EXT AC, AM EXT DC and AM INT (FM EXT AC, FM EXT DC and FM INT).

The AM EXT signal is connected via plug X1.A31 (X1.A30). The input impedance can be selected between 600 Ω and 100 k Ω by repositioning jumper X13 (X11). Overvoltage protection is provided by diodes V7 and V8 (V13 and V14). The external signal is applied to the input selector N8 (N9) via the input amplifier N5 (N2) and via C21 (C12). The respective capacitor is bypassed with AM EXT DC (FM EXT DC). At the same time the internal generator voltage is applied to the input of switch N8 (N9).

The selected modulation signal is passed on to the subsequent modulation control section of the output stage module (AM) or the RF oscillator module (FM) (via X1.A28 or X1.A29) by the subsequent amplifier N4 (N3). Losses occurring as a result of switching are compensated by the amplification.

The external modulation signal is also applied via an amplifier to a rectifier. The rectified voltage is required to monitor the voltage at the AM EXT input (FM EXT input).

Internal generator

The internal generator can produce eight different modulation frequencies and is configured as a Wien-Robinson bridge. The resistances of the RC networks which determine the frequency are switched using the multiplexer ICs N6 and N7. The generator gain is regulated by an FET (V1) in order to obtain conditions for oscillation. The generator voltage is rectified and compared with an adjustable reference voltage. A control amplifier readjusts the loop gain accordingly. The generator can be switched off using V6.

The rectified generator voltage is connected to the controller module via N9 and X1.A27 for diagnostics.

The AF generator module is controlled via a serial data bus. The data are read into the two latches D1 and D2.

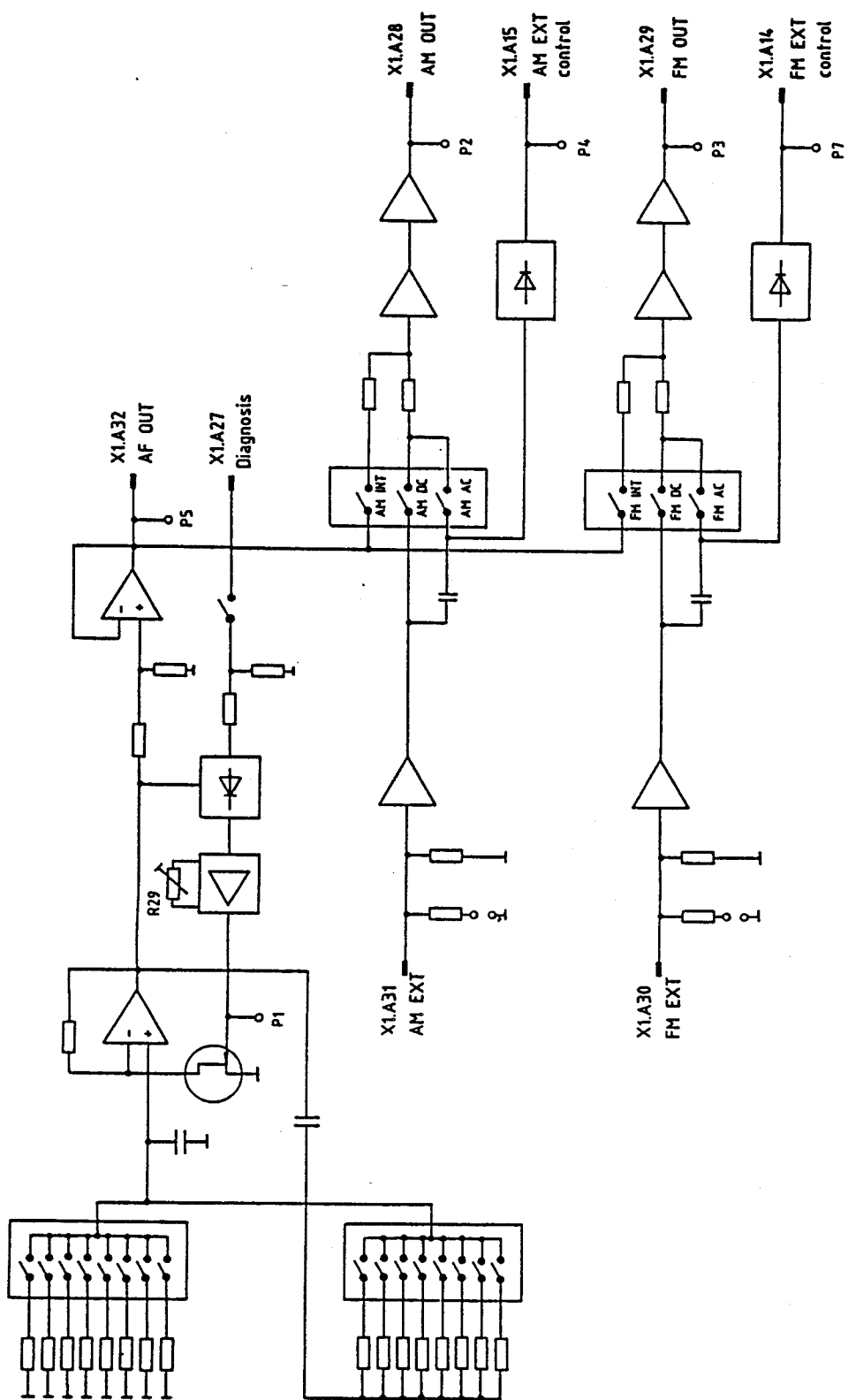


Fig. 5-1 Block diagram of AF generator

5.2 Checking and Adjustments

5.2.1 Adjustment

- Set internal modulation generator to 1 kHz.
- Connect an AC voltmeter to AF INT connector.
- Adjust to 1.00 V (± 0.01 V) using R29.

5.2.2 Checking the Input Selection Circuits

- Connect the AF generator module using the service adapter cable and switch on AM EXT.
- Connect a signal of 1 kHz/1 V (V_{rms}) to the AM EXT connector. An AF voltage of 1 V must now be measurable at P2. A DC voltage of +2.5 V (± 0.06 V) must be present at P4.
- Measure the AF frequency response at P2 and P4. It should not exceed ± 0.1 dB at the AM EXT connector with a constant input voltage.
- Apply a DC voltage of +1.4 V to the AM EXT connector. Switch to AM DC mode. A DC voltage of +1.4 V ($\pm 1\%$) must be measurable at P2.
- Switch to AM INT mode. An AF voltage of 1 V ($\pm 1\%$) must be measurable at P2.

The FM input selection circuit is tested in the same manner.

5.2.3 Checking the AF Generator

- Connect an AC voltmeter to P5.
- Connect a frequency meter to the AF INT connector and a DC voltmeter to P1.
- Carry out the test as in Table 5-1.

Table 5-1

Setting	Voltage at P5 AC $\pm 0.5\%$	AF-INT connector frequency $\pm 3\%$	Voltage at P1 DC	Remarks
40 Hz	1.0 V	40 Hz	-1.5 to -3.5 V	
150 Hz	1.0 V	150 Hz	-1.5 to -3.5 V	
300 Hz	1.0 V	300 Hz	-1.5 to -3.5 V	
400 Hz	1.0 V	400 Hz	-1.5 to -3.5 V	
1 kHz	1.0 V	1 kHz	-1.5 to -3.5 V	
3 kHz	1.0 V	3 kHz	-1.5 to -3.5 V	
6 kHz	1.0 V	6 kHz	-1.5 to -3.5 V	
15 kHz	1.0 V	15 kHz	-1.5 to -3.5 V	
AF OFF	0	0	<-3.5 V	Gen. off

The distortion (d_{total}) must be $<0.2\%$ at all frequencies and $<0.07\%$ at 1 kHz (test bandwidth 100 kHz).

5.3 Troubleshooting

The troubleshooting of the AM or FM input selection circuits is based on comparing AM with FM (or vice versa) and taking into account Section 5.2.2.

The AF generator is dealt with as in Section 5.2.3.

5.4 Interfaces

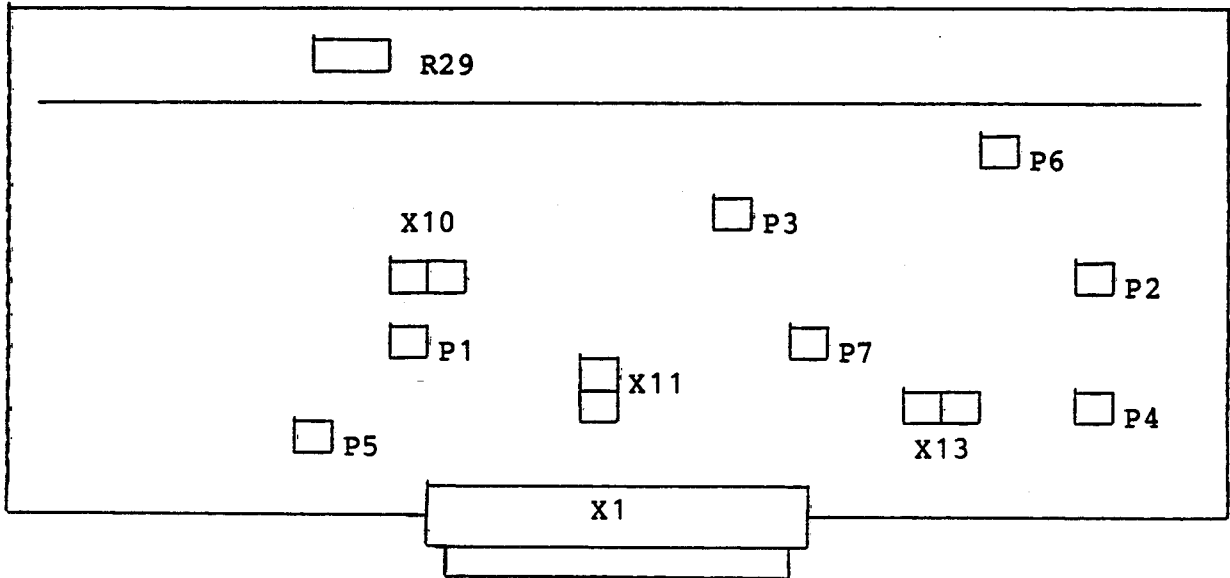


Fig. 5-2 Layout of adjusting elements

Analog interfaces

Designation	Function	Frequency	Level (V _{rms})
X1.A14	FM EXT monitoring	DC	2.5 V (± 0.06 V)
X1.A15	AM EXT monitoring	DC	2.5 V (± 0.06 V)
X1.A28	AM output	0 to 50 kHz	1 V
X1.A29	FM output	0 to 100 kHz	1 V
X1.A30	FM EXT input	0 to 100 kHz	1 V
X1.A31	AM EXT input	0 to 50 kHz	1 V
X1.A32	AF output	40 Hz to 15 kHz	1 V

Digital interfaces (CMOS)

Designation	Function	Remarks
X1.A25	Data input	Serial
X1.A24	Clock	
X1.A23	Strobe	
X1.A27	Diagnostic output	For AF generator

Supply voltages

Designation	Voltage
X1.A21	+5 V
X1.A20	+15 V
X1.A19	-15 V
X1.A11, A12, A13, A16, A26	Ground



ROHDE & SCHWARZ

Schaltteillisten

Stromläufe

Bestückungspläne

Part lists

Circuit diagrams

Components plans


Listes des pièces détachées

Schémas de Circuit

Plans des composants

Für diese Unterlage behalten wir uns alle Rechte vor.


Kennz. Comp. No.	Benennung Designation	Sachnummer Stock No.	Hersteller Manufacturer	Bezeichnung Designation	enthalten in contained in
C1	CK 1,8NF+-1%63V6,3X11 KP PLASTIC-FOIL CAPACITOR	CK 0283.1699.00	SIEMENS	B33531-A5182-F	
C2	CK 100NF+-5%63VRD2,5H7MKT CAPACITOR	CK 0099.2930.00	SIEMENS	B 32 529-C104-J	
C3	CK 1,8NF+-1%63V6,3X11 KP PLASTIC-FOIL CAPACITOR	CK 0283.1699.00	SIEMENS	B33531-A5182-F	
C4	CE 47UF-10+50% 40V 13X17 ERSATZ: 008.9688.00	CE 0247.4991.00	ROEDERSTEI	EKU 20 GD 247G	
C5	CK 68NF+-5%63V RD2,5H7MKT CAPACITOR	CK 0099.2923.00	SIEMENS	B 32 529-A683-J	
C6	CK 220NF+-5%63VRD3,5H9MKT CAPACITOR	CK 0099.2952.00	SIEMENS	B 32 529-A224-J	
C7	CC 10NF-20+50%7X8R4000 CAPACITOR	CC 0087.7525.00	VALVO	2222 640 51103	
C8	CC 10NF-20+50%7X8R4000 CAPACITOR	CC 0087.7525.00	VALVO	2222 640 51103	
C10	CK 100NF+-5%63VRD2,5H7MKT CAPACITOR	CK 0099.2930.00	SIEMENS	B 32 529-C104-J	
C11	CK 100NF+-5%63VRD2,5H7MKT CAPACITOR	CK 0099.2930.00	SIEMENS	B 32 529-C104-J	
C12	CE 10UF+-20% 63V RM5BIPOL ELECTROLYTIC CAPACITOR	CE 0008.9742.00	PHILIPS_CO	2222 036 92103	
C13	CC 8,2PF+-0,25PF3X4NPO CAPACITOR	CC 0087.6412.00	VALVO	2222 678	
C14	CK 100NF+-5%63VRD2,5H7MKT CAPACITOR	CK 0099.2930.00	SIEMENS	B 32 529-C104-J	
C15	CK 100NF+-5%63VRD2,5H7MKT CAPACITOR	CK 0099.2930.00	SIEMENS	B 32 529-C104-J	
C16	CC 10PF+-0,25PF3X4NPO CAPACITOR	CC 0087.6429.00	PHILIPS_CO	2222 678 10109	
C17	CE 47UF+-20%63V RM5 ELECTROLYTIC CAPACITOR	0008.7440.00	PHILIPS_CO	2222 116 90112	
C18	CC 10NF-20+50%7X8R4000 CAPACITOR	CC 0087.7525.00	VALVO	2222 640 51103	
C19	CC 10NF-20+50%7X8R4000 CAPACITOR	CC 0087.7525.00	VALVO	2222 640 51103	
C21	CE 10UF+-20% 63V RM5BIPOL ELECTROLYTIC CAPACITOR	CE 0008.9742.00	PHILIPS_CO	2222 036 92103	
C22	CC 8,2PF+-0,25PF3X4NPO CAPACITOR	CC 0087.6412.00	VALVO	2222 678	
C23	CK 100NF+-5%63VRD2,5H7MKT CAPACITOR	CK 0099.2930.00	SIEMENS	B 32 529-C104-J	
C24	CK 100NF+-5%63VRD2,5H7MKT CAPACITOR	CK 0099.2930.00	SIEMENS	B 32 529-C104-J	
C25	CC 10PF+-0,25PF3X4NPO CAPACITOR	CC 0087.6429.00	PHILIPS_CO	2222 678 10109	
C26	CE 47UF+-20%63V RM5 ELECTROLYTIC CAPACITOR	0008.7440.00	PHILIPS_CO	2222 116 90112	
C27	CK 100NF+-5%63VRD2,5H7MKT CAPACITOR	CK 0099.2930.00	SIEMENS	B 32 529-C104-J	
C28	CK 100NF+-5%63VRD2,5H7MKT CAPACITOR	CK 0099.2930.00	SIEMENS	B 32 529-C104-J	
C29	CC 10NF-20+50%7X8R4000 CAPACITOR	CC 0087.7525.00	VALVO	2222 640 51103	
C30	CE 47UF+-20%63V RM5 ELECTROLYTIC CAPACITOR	0008.7440.00	PHILIPS_CO	2222 116 90112	
C31	CC 10NF-20+50%7X8R4000 CAPACITOR	CC 0087.7525.00	VALVO	2222 640 51103	
C32	CE 10UF+-20%63V RD9XH12 ELECTROLYTIC CAPACITOR	0008.7910.00	PHILIPS_CO	2222 036 90362	
C33	CC 10NF-20+50%7X8R4000 CAPACITOR	CC 0087.7525.00	VALVO	2222 640 51103	
C34	CE 10UF+-20%63V RD9XH12 ELECTROLYTIC CAPACITOR	0008.7910.00	PHILIPS_CO	2222 036 90362	
C35	CC 10NF-20+50%7X8R4000 CAPACITOR	CC 0087.7525.00	VALVO	2222 640 51103	
C36	CC 10NF-20+50%7X8R4000 CAPACITOR	CC 0087.7525.00	VALVO	2222 640 51103	
C37	CC 10NF-20+50%7X8R4000 CAPACITOR	CC 0087.7525.00	VALVO	2222 640 51103	
C100	CE 22UF+-20%63V RM5 ELECTROLYTIC CAPACITOR	0008.7433.00	PHILIPS_CO	2222 116 90111	
D1	BL PC74HC4094P 8ST.SH.REG 8-STAGE SHIFT&STORE REG.	0099.9711.00	PHILIPS_SE	(PC)74HC4094N(P)	
D2	BL PC74HC4094P 8ST.SH.REG 8-STAGE SHIFT&STORE REG.	0099.9711.00	PHILIPS_SE	(PC)74HC4094N(P)	

MEZ15	790 3PLU	Äi	Datum Date	Schaltteilliste für Parts list for	Sachnummer Stock No.	Blatt-Nr. Page
		19	03.05.99	ED NF-GENERATOR AF GENERATOR	0801.7312.01 SA	1+

095.0026-0693

Für diese Unterlage behalten wir uns alle Rechte vor.

Kennz. Comp. No.	Benennung Designation	Sachnummer Stock No.	Hersteller Manufacturer	Bezeichnung Designation	enthalten in contained in
L1	LD 1,20UH10%0, 18OHMO, 620A CHOKE	LD 0067.2870.00	DALE	IM2	
L2	LD 10 UH 10% 3R3 144 MA CHOKE	LD 0026.4184.00	DALE	IM2	
L3	LD 10 UH 10% 3R3 144 MA CHOKE	LD 0026.4184.00	DALE	IM2	
N1	BO TLO74IN LN 4XFET OPAMP OPERATIONAL AMPLIFIER	0568.7528.00	TEXAS	TLO74IN	
N2	BO LF412CN 2XFET OPAMP OPERATIONAL AMPLIFIER	0356.0521.00	NSC	LF412CN	
N6	BL MM74HC4051N 8CH.AN.MUX 8CH.ANALOG MUX/DEMUX	0099.9670.00	PHILIPS	(PC)74HC4051N(P)	
N7	BL MM74HC4051N 8CH.AN.MUX 8CH.ANALOG MUX/DEMUX	0099.9670.00	PHILIPS	(PC)74HC4051N(P)	
N8	BS DG211CJ 4X ANALOGSCH ANALOG SWITCH	0801.8260.00	SILICONIX	DG211CJ	
N9	BS DG211CJ 4X ANALOGSCH ANALOG SWITCH	0801.8260.00	SILICONIX	DG211CJ	
P1	VL WIRE-WRAP PIN L=11,6	0088.4542.00	DUPONT CON	75403-003	
..7	WIRE-WRAP PIN 1-POLIG/1 PIN				
R1	RL 0,60W 2,43KOHM+-1%TK50 RESISTOR	RL 0083.0884.00	RESISTA	MK2	
R2	RL 0,60W 1MOHM+-1%TK50 RESISTOR	RL 0082.7862.00	RESISTA	MK2	
R3	RL 0,60W 1MOHM+-1%TK50 RESISTOR	RL 0082.7862.00	RESISTA	MK2	
R4	RL 0,60W 5,62KOHM+-1%TK50 RESISTOR	RL 0082.2190.00	PHILIPS_CO	MRS 25	
R5	RL 0,60W 475 OHM+-1%TK50 RESISTOR	RL 0083.0390.00	PHILIPS_CO	MRS 25	
R7	RL 0,60W 392 OHM+-1%TK50 RESISTOR	RL 0082.2183.00	RESISTA	MK2	
R8	RL 0,60W 1,50KOHM+-1%TK50 RESISTOR	RL 0083.0732.00	PHILIPS_CO	MRS 25	
R9	RL 0,60W 1KOHM+-1%TK50 RESISTOR	RL 0082.2160.00	PHILIPS_CO	MRS 25	
R10	RL 0,60W 1,50KOHM+-1%TK50 RESISTOR	RL 0083.0732.00	PHILIPS_CO	MRS 25	
R11	RL 0,60W 1,50KOHM+-1%TK50 RESISTOR	RL 0083.0732.00	PHILIPS_CO	MRS 25	
R12	RL 0,60W 200KOHM+-1%TK50 RESISTOR	RL 0083.2235.00	RESISTA	MK2	
R13	RL 0,60W 100KOHM+-1%TK50 RESISTOR	RL 0082.1764.00	RESISTA	MK2	
R14	RL 0,60W 392 KOHM+-1%TK50 RESISTOR	RL 0083.2512.00	RESISTA	MK2	
R15	RL 0,60W 274 KOHM+-1%TK50 RESISTOR	RL 0083.2364.00	RESISTA	MK2	
R16	RL 0,60W 100KOHM+-1%TK50 RESISTOR	RL 0082.1764.00	RESISTA	MK2	
R17	RL 0,60W 221 OHM+-1%TK50 RESISTOR	RL 0083.0084.00	PHILIPS_CO	MRS 25	
R18	RL 0,60W 604 OHM+-1%TK50 RESISTOR	RL 0082.2425.00	RESISTA	MK2	
R19	RL 0,60W 100KOHM+-1%TK50 RESISTOR	RL 0082.1764.00	RESISTA	MK2	
R20	RL 0,40W 1,0KOHM2% UNGEW. RESISTOR	RL 0092.6075.00	DRALORIC	SMA 0204	
R21	RL 0,40W 1,0KOHM2% UNGEW. RESISTOR	RL 0092.6075.00	DRALORIC	SMA 0204	
R23	RL 0,60W 10,0KOHM+-1%TK50 RESISTOR	RL 0083.1297.00	PHILIPS_CO	MRS 25	
R24	RL 0,60W 33,2KOHM+-1%TK50 RESISTOR	RL 0083.1674.00	RESISTA	MK2	
R25	RL 0,60W 10,0KOHM+-1%TK50 RESISTOR	RL 0083.1297.00	PHILIPS_CO	MRS 25	
R26	RL 0,60W 18,2KOHM+-1%TK50 RESISTOR	RL 0083.1480.00	PHILIPS_CO	MRS 25	
R27	RL 0,60W 18,2KOHM+-1%TK50 RESISTOR	RL 0083.1480.00	PHILIPS_CO	MRS 25	
R28	RL 0,60W 4,75KOHM+-1%TK50 RESISTOR	RL 0083.1097.00	PHILIPS_CO	MRS 25	
R29	RS 0,5W2KOHM+-10%10X10X5 CERMET POTENTIOMETER	RS 0247.7961.00	BI_TECHNOL	72X-R	

MEZ15	790 3PLU	ÄI	Datum Date	Schaltteilliste für Parts list for	Sachnummer Stock No.	Blatt-Nr. Page
		19	03.05.99	ED NF-GENERATOR AF GENERATOR	0801.7312.01 SA	2+

095.0026-0693

Für diese Unterlage behalten wir uns alle Rechte vor.

Kennz. Comp. No.	Benennung Designation	Sachnummer Stock No.	Hersteller Manufacturer	Bezeichnung Designation	enthalten in contained in
R30	RL 0,60W 8,25KOHM+-1%TK50 RESISTOR	RL 0083.1239.00	RESISTA	MK2	
R31	RL 0,60W 1KOHM+-1%TK50 RESISTOR	RL 0082.2160.00	PHILIPS_CO	MRS 25	
R32	RL 0,60W 4,75KOHM+-1%TK50 RESISTOR	RL 0083.1097.00	PHILIPS_CO	MRS 25	
R33	RL 0,60W 18,2KOHM+-1%TK50 RESISTOR	RL 0083.1480.00	PHILIPS_CO	MRS 25	
R34	RL 0,60W 4,75KOHM+-1%TK50 RESISTOR	RL 0083.1097.00	PHILIPS_CO	MRS 25	
R35	RL 0,60W 4,75KOHM+-1%TK50 RESISTOR	RL 0083.1097.00	PHILIPS_CO	MRS 25	
R37	RL 0,35W 100KOHM+-0,1%TK25 RESISTOR	RL 0084.4983.00	DRALORIC	SMA0207	
R38	RL 0,35W 52,3KOHM+-0,1%T25 RESISTOR	RL 0084.4448.00	RUF	BPO207	
R39	RL 0,60W 4,75KOHM+-1%TK50 RESISTOR	RL 0083.1097.00	PHILIPS_CO	MRS 25	
R40	RL 0,60W 33,2 OHM+-1%TK50 RESISTOR	RL 0082.9359.00	PHILIPS_CO	MRS 25	
R41	RL 0,60W 15,0KOHM+-1%TK50 RESISTOR	RL 0083.1400.00	RESISTA	MK2	
R42	RL 0,60W 15,0KOHM+-1%TK50 RESISTOR	RL 0083.1400.00	RESISTA	MK2	
R43	RL 0,60W 10,0 OHM+-1%TK50 RESISTOR	RL 0082.8852.00	PHILIPS_CO	MRS 25	
R44	RL 0,60W 604 OHM+-1%TK50 RESISTOR	RL 0082.2425.00	RESISTA	MK2	
R45	RL 0,60W 221 OHM+-1%TK50 RESISTOR	RL 0083.0084.00	PHILIPS_CO	MRS 25	
R47	RL 0,60W 100KOHM+-1%TK50 RESISTOR	RL 0082.1764.00	RESISTA	MK2	
R50	RL 0,60W 33,2KOHM+-1%TK50 RESISTOR	RL 0083.1674.00	RESISTA	MK2	
R51	RL 0,60W 18,2KOHM+-1%TK50 RESISTOR	RL 0083.1480.00	PHILIPS_CO	MRS 25	
R52	RL 0,60W 18,2KOHM+-1%TK50 RESISTOR	RL 0083.1480.00	PHILIPS_CO	MRS 25	
R53	RL 0,60W 4,75KOHM+-1%TK50 RESISTOR	RL 0083.1097.00	PHILIPS_CO	MRS 25	
R54	RL 0,60W 18,2KOHM+-1%TK50 RESISTOR	RL 0083.1480.00	PHILIPS_CO	MRS 25	
R55	RL 0,60W 4,75KOHM+-1%TK50 RESISTOR	RL 0083.1097.00	PHILIPS_CO	MRS 25	
R56	RL 0,60W 4,75KOHM+-1%TK50 RESISTOR	RL 0083.1097.00	PHILIPS_CO	MRS 25	
R57	RL 0,60W 4,75KOHM+-1%TK50 RESISTOR	RL 0083.1097.00	PHILIPS_CO	MRS 25	
R58	RL 0,60W 33,2 OHM+-1%TK50 RESISTOR	RL 0082.9359.00	PHILIPS_CO	MRS 25	
R59	RL 0,35W 1 KOHM+-0,1%TK25 RESISTOR	0083.9146.00	DRALORIC	SMA0207	
R60	RL 0,35W 4,99KOHM+-0,1%T25 RESISTOR	RL 0084.2480.00	DRALORIC	SMA0207	
R62	RL 0,35W 100KOHM+-0,1%TK25 RESISTOR	RL 0084.4983.00	DRALORIC	SMA0207	
R63	RL 0,35W 52,3KOHM+-0,1%T25 RESISTOR	RL 0084.4448.00	RUF	BPO207	
R64	RL 0,60W 2,00MOHM+-1%TK50 METALFILMRESISTOR	RL 0099.8167.00	ROEDERSTEI	MK2	
R65	RL 0,60W 576KOHM+-1%TK50 RESISTOR	RL 0083.6847.00	DRALORIC	SMA 0207	
R66	RL 0,60W 287 KOHM+-1%TK50 RESISTOR	RL 0083.2387.00	RESISTA	MK2	
R67	RL 0,60W 215 KOHM+-1%TK50 RESISTOR	RL 0083.2264.00	RESISTA	MK2	
R68	RL 0,60W 3,32KOHM+-1%TK50 RESISTOR	RL 0083.0990.00	RESISTA	MK2	
R69	RL 0,60W 82,5KOHM+-1%TK50 RESISTOR	RL 0082.2302.00	PHILIPS_CO	MRS 25	
R70	RL 0,60W 28,7KOHM+-1%TK50 RESISTOR	RL 0083.1616.00	RESISTA	MK2	
R71	RL 0,60W 13,0KOHM+-1%TK50 RESISTOR	RL 0083.1368.00	RESISTA	MK2	
R72	RL 0,60W 475 OHM+-1%TK50 RESISTOR	RL 0083.0390.00	PHILIPS_CO	MRS 25	
R73	RL 0,60W 5,11KOHM+-1%TK50 RESISTOR	RL 0082.2348.00	RESISTA	MK2	

MEZ15

790 3PLU

Äi

Datum
Date

Schaltteilliste für
Parts list for

Sachnummer
Stock No.

Blatt-Nr.
Page



ROHDE & SCHWARZ

19 03.05.99

ED NF-GENERATOR
AF GENERATOR


0801.7312.01 SA

3+

095.0026-0693

Für diese Unterlage behalten wir uns alle Rechte vor.

Kennz. Comp. No.	Benennung Designation	Sachnummer Stock No.	Hersteller Manufacturer	Bezeichnung Designation	enthalten in contained in
R74	RL 0,60W2,00MOHM+-1%TK50 METALFILMRESISTOR	RL 0099.8167.00	ROEDERSTEI	MK2	
R75	RL 0,60W 576KOHM+-1%TK50 RESISTOR	RL 0083.6847.00	DRALORIC	SMA 0207	
R76	RL 0,60W 287 KOHM+-1%TK50 RESISTOR	RL 0083.2387.00	RESISTA	MK2	
R77	RL 0,60W 215 KOHM+-1%TK50 RESISTOR	RL 0083.2264.00	RESISTA	MK2	
R78	RL 0,60W 3,32KOHM+-1%TK50 RESISTOR	RL 0083.0990.00	RESISTA	MK2	
R79	RL 0,60W 82,5KOHM+-1%TK50 RESISTOR	RL 0082.2302.00	PHILIPS_CO	MRS 25	
R80	RL 0,60W 28,7KOHM+-1%TK50 RESISTOR	RL 0083.1616.00	RESISTA	MK2	
R81	RL 0,60W 13,0KOHM+-1%TK50 RESISTOR	RL 0083.1368.00	RESISTA	MK2	
R82	RL 0,60W 475 OHM+-1%TK50 RESISTOR	RL 0083.0390.00	PHILIPS_CO	MRS 25	
R83	RL 0,60W 5,11KOHM+-1%TK50 RESISTOR	RL 0082.2348.00	RESISTA	MK2	
R84	RL 0,60W 56,2KOHM+-1%TK50 RESISTOR	RL 0082.2231.00	RESISTA	MK2	
R85	RL 0,60W 56,2KOHM+-1%TK50 RESISTOR	RL 0082.2231.00	RESISTA	MK2	
R90	RL 0,60W 140 KOHM+-1%TK50 RESISTOR	RL 0083.2106.00	RESISTA	MK2	
R91	RL 0,60W 140 KOHM+-1%TK50 RESISTOR	RL 0083.2106.00	RESISTA	MK2	
R92	RL 0,60W 1,1KOHM+-1%TK50 RESISTOR	RL 0082.2483.00	RESISTA	MK2	
R93	RL 0,60W 1,1KOHM+-1%TK50 RESISTOR	RL 0082.2483.00	RESISTA	MK2	
R100	RL 0,35W 1 KOHM+-0,1%TK25 RESISTOR	0083.9146.00	DRALORIC	SMA0207	
R101	RL 0,35W4,99KOHM+-0,1%T25 RESISTOR	RL 0084.2480.00	DRALORIC	SMA0207	
V1	AM J232 N-D 40V JFET FET	0340.5535.00	SILICONIX	J232	
V2	AE BZX55/B12 0,5W ZDI ZENER DIODE	AE 0218.8940.00	VALVO	BZX79B12	
V4	AD 1N4448 75V UDI DIODE	AD 0012.0700.00	PHILIPS_SE	1N4448 "	
V10	AE 5082-2800 SCHOTTKY DIODE	0012.9066.00	HEWLETT_PA	5082-2800	
V12	AE 1N827 6,2V REF DI ZENER REFERENCE DIODE	AE 0418.0029.00	COMPENSATE	1N827(A)	
V13	AD 1N4448 75V UDI DIODE	AD 0012.0700.00	PHILIPS_SE	1N4448 "	
V14	AD 1N4448 75V UDI DIODE	AD 0012.0700.00	PHILIPS_SE	1N4448 "	
V15	AE 5082-2800 SCHOTTKY DIODE	0012.9066.00	HEWLETT_PA	5082-2800	
V17	AE BZX79B10 0,5W ZDI ZENER DIODE	AE 0289.4302.00	VALVO	BZX79B10	
X1	FP STECKERLEISTE 32POL. MULTIPOINT CONNECTOR	FP 0514.4550.00	SIEMENS	V42254-B1200-B641	
X10	VL WIRE-WRAP PIN L=11,6 WIRE-WRAP PIN 2-POLIG/2 PINS	0088.4542.00	DUPONT CON	75403-003	
X11	VL WIRE-WRAP PIN L=11,6 WIRE-WRAP PIN 3-POLIG/3 PINS	0088.4542.00	DUPONT CON	75403-003	
X13	VL WIRE-WRAP PIN L=11,6 WIRE-WRAP PIN	0088.4542.00	DUPONT CON	75403-003	

MEZ15	790 3PLU	Äi	Datum Date	Schaltteilliste für Parts list for	Sachnummer Stock No.	Blatt-Nr. Page
	19	03.05.99	ED NF-GENERATOR AF GENERATOR	0801.7312.01 SA	4-	

095.0026-0693



ROHDE & SCHWARZ

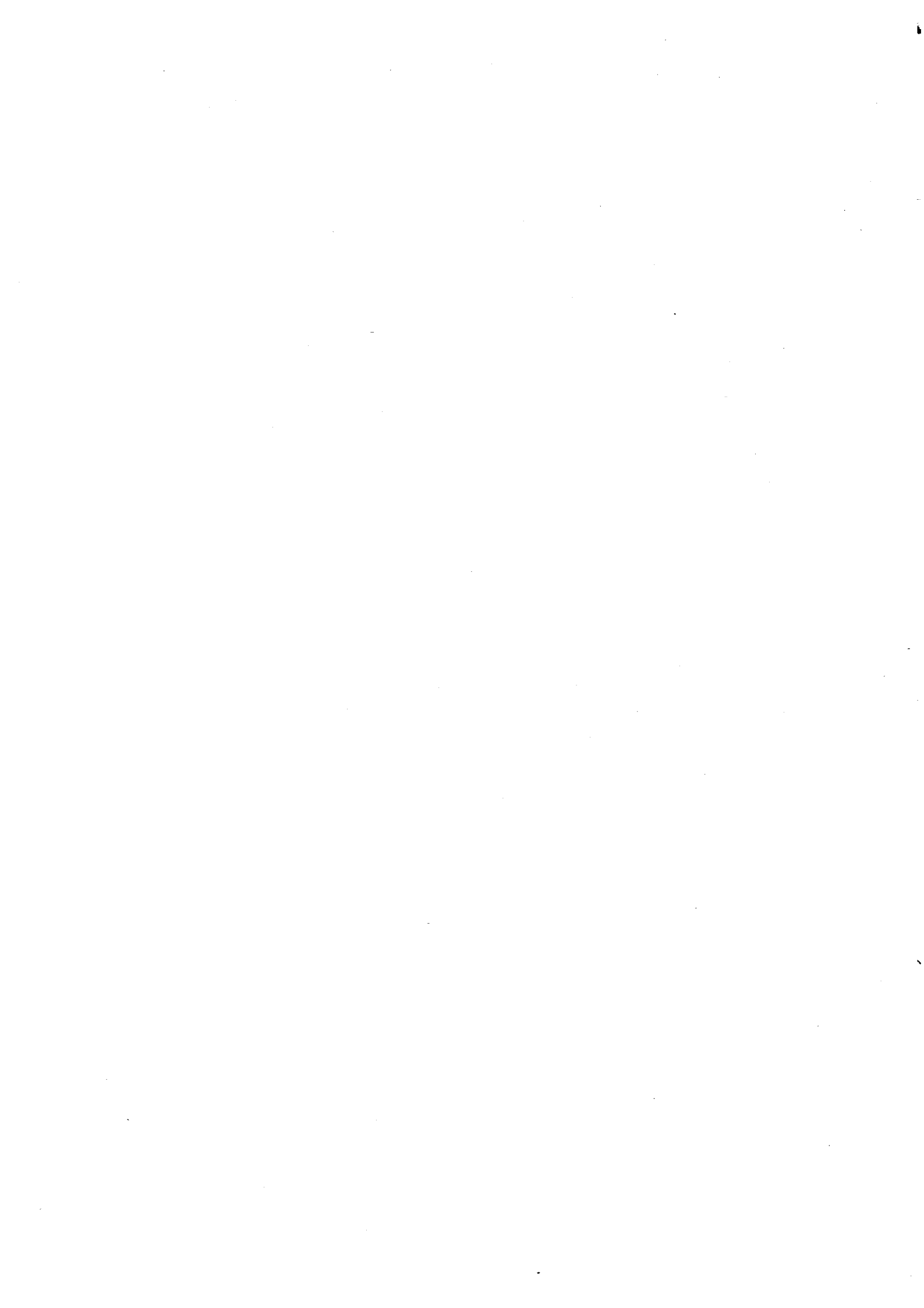
SERVICEUNTERLAGEN

Baugruppe "Netzteil"

801.1614.02

Printed in West Germany

ENGLISH SERVICE MANUAL FOLLOWS FIRST COLOURED DIVIDER



Inhaltsübersicht

	Seite
5	Serviceanleitung Baugruppe "Netzteil" 5.1
5.1	Funktionsbeschreibung
5.2	Prüfen und Abgleichen
5.2.1	Prüfen der Oberspannungen
5.2.2	Einstellung der Netzteilspannungen
5.2.3	Prüfen der Ausgangsspannungen
5.2.4	Abgleich der Spannungsüberwachung (Powerfail-Schaltung)
5.3	Fehlersuche
5.4	Schnittstellen

Schaltteillisten
Stromläufe
Bestückungspläne

5.1 Funktionsbeschreibung

(Hierzu Stromlauf 801.1614 S und Bild 5-1)

Die Baugruppe "Netzteil" besteht aus dem Netztrafo T1, den Gleichrichterschaltungen V1, V12, V50, V100 und V150, der Referenzspannungserzeugung, den Spannungsreglerschaltungen sowie einer Powerfail-Schaltung zum Erkennen von Netzspannungseinbrüchen und -ausfällen.

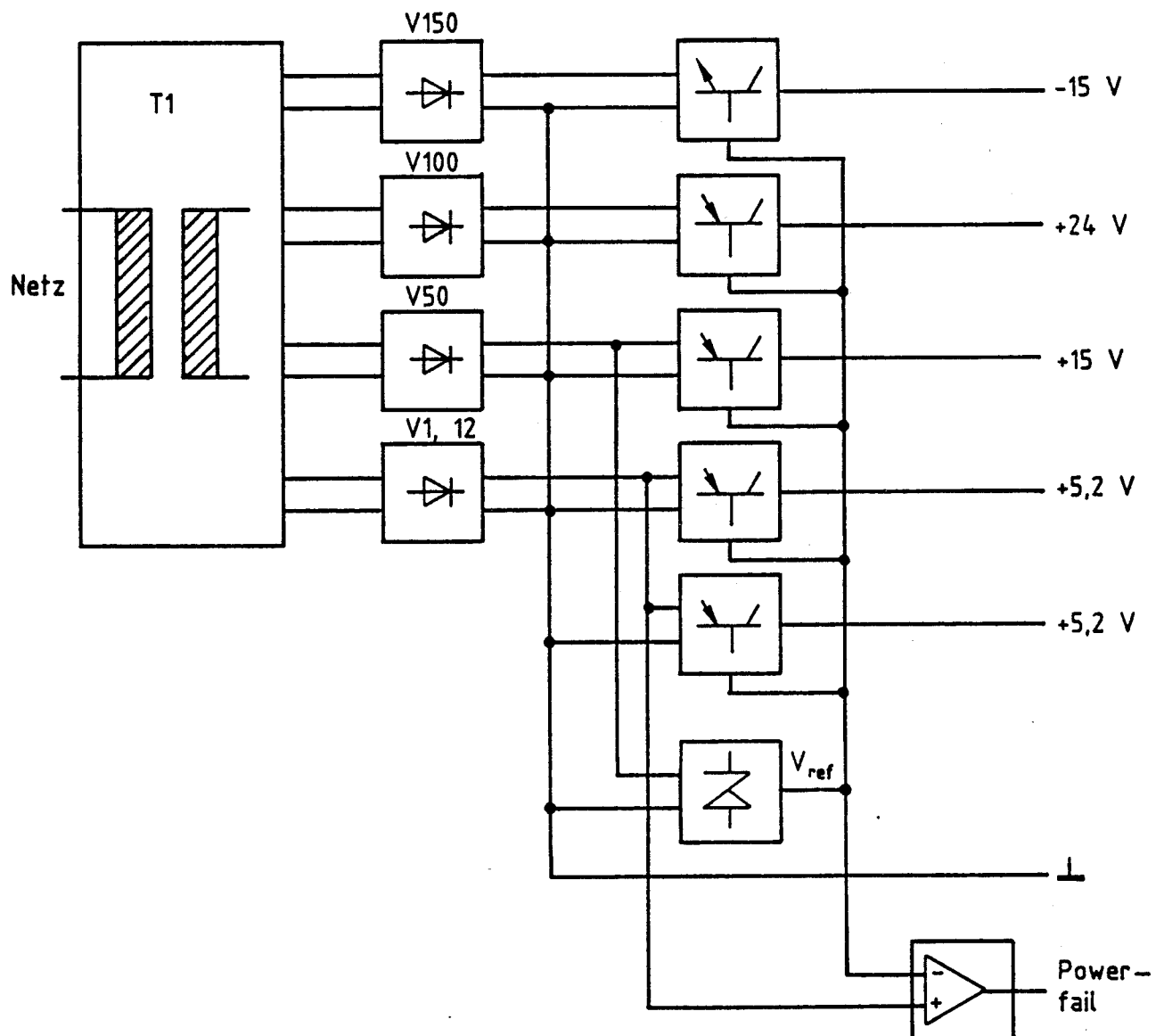


Bild 5-1 Blockschaltbild des Netzteils

Das Netzteil versorgt das Gerät mit drei geregelten Gleichspannungen von -15 V , $+24\text{ V}$, $+15\text{ V}$ sowie zwei Spannungen von je $+5,2\text{ V}$.

Der Netztrafo wird primärseitig über ein Netzfilter und einen Spannungswähler gespeist. Es stehen vier verschiedene Primärspannungen zur Auswahl: 100 V , 120 V , 220 V und 240 V .

Der Netztrafo ist primärseitig durch eine Schmelzsicherung gegen Kurzschluß sowie über einen Thermoschalter, der im Trafobecher vergossen ist, gegen thermische Überlastung geschützt. Auf der Sekundärseite weist der Netztrafo vier Wicklungen auf, von denen die 5-V -Wicklung mit Rücksicht auf die hohe Belastung durch die beiden 5-V -Regelteile eine Mittelanzapfung besitzt und eine mit zwei Schottky-Leistungsdioden aufgebaute Mittelpunkt-Gleichrichterschaltung speist.

Die übrigen drei Gleichrichterschaltungen sind mit Brückengleichrichtern bestückt. Die an den vier Ladekondensatoren der Gleichrichterschaltungen anstehenden Oberspannungen werden fünf prinzipiell gleich aufgebauten Regelschaltungen zugeführt, die die Restwelligkeit ausregeln und ihre Ausgangsspannungen auf die oben genannten Werte stabilisieren. Durch die Anbindung aller Regler an nur eine hochstabile Referenz wird erreicht, daß sich alle Ausgangsspannungen mit nur einem Potentiometer abgleichen lassen.

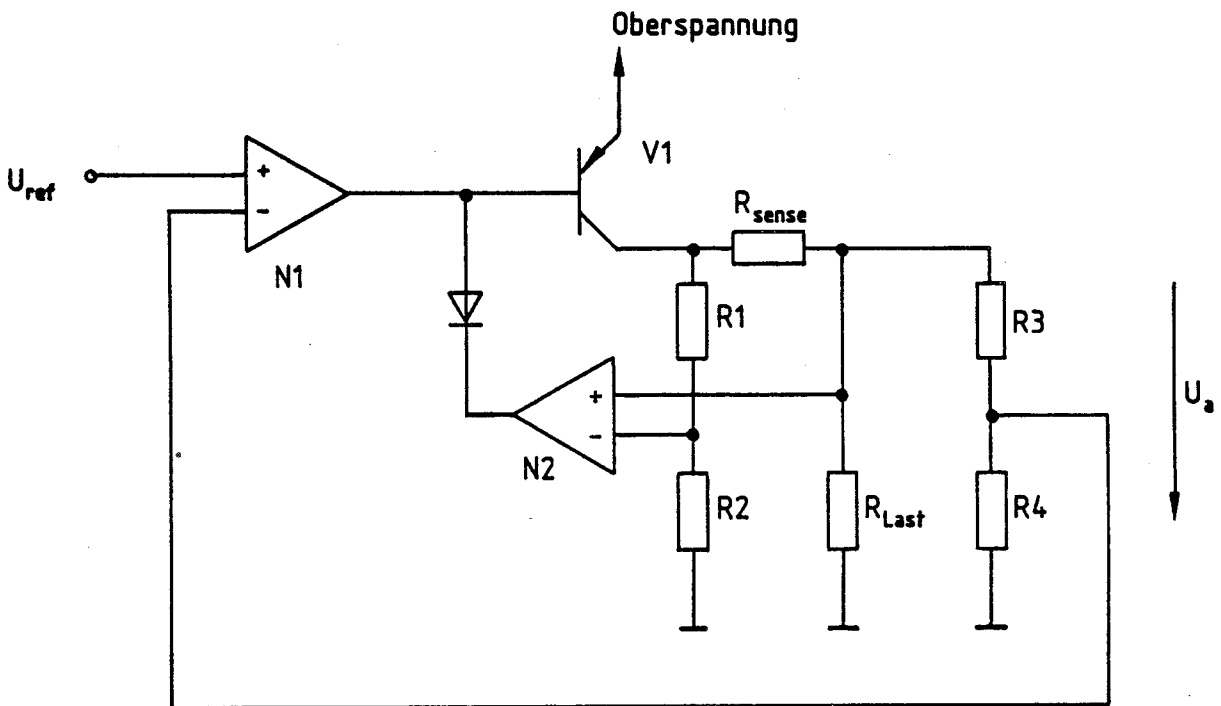


Bild 5-2 Prinzipschaltung eines Reglers

Der Regelverstärker N1 vergleicht die über den Spannungsteiler R3, R4 geteilte Ausgangsspannung des Reglers mit einer von einer Referenzdiode abgeleiteten Referenzspannung und steuert den als Stellglied wirkenden Transistor V1 so, daß sich folgende konstante Ausgangsspannung einstellt:

$$U_a = \left(1 + \frac{R_3}{R_4}\right) \cdot U_{Ref}$$

Um den Regeltransistor V1 vor Überlastung zu schützen weist die Strom/Spannungskennlinie des Reglers eine Fold-back-Charakteristik auf.

Überschreitet der Laststrom einen Maximalwert, so reduziert der Regler mit zunehmender Belastung seinen Ausgangsstrom auf immer kleinere Werte, so daß die im Transistor V1 auftretende Verlustleistung begrenzt wird.

Dieses Verhalten wird vom Fold-back-Verstärker N2 gesteuert, der auf die Ansteuerung des Regeltransistors eingreift, sobald der mittels R_{sense} gemessene Ausgangsstrom einen vom Spannungsteiler R1, R2 festgelegten Grenzwert überschreitet.

Das Netzteil enthält außer den Spannungsreglern eine Powerfail-Schaltung, deren Aufgabe es ist, Netzspannungseinbrüche bzw. Netzausfall frühzeitig zu erkennen, um dem Prozessor die Möglichkeit zu geben, ein Unterprogramm zur Datenrettung durchzuführen. Überwacht wird der Wert der Oberspannung des 5-V-Regelteils, der gerade noch eine sichere Funktion gewährleistet. Bei Unterschreitung dieser Spannung wechselt der Ausgang der Powerfail-Schaltung sein Potential auf Low und erzeugt damit einen Interrupt, der die Datenrettung einleitet.

Zur Kühlung der Baugruppen besitzt das Gerät einen in seiner Drehzahl umschaltbaren Lüfter, der bei Temperaturen unter 45 °C aus der Oberspannung des 5-V-Regelteils gespeist wird. Erreicht die Temperatur im Geräteinnern einen Wert von 45 °C, so wird über einen Thermoschalter die Oberspannung des 15-V-Regelteils auf den Lüfter geschaltet, so daß sich die Drehzahl und somit die Luftleistung steigert. Fällt die Temperatur unter eine Schwelle von 35 °C, so öffnet der Schalter und reduziert die Drehzahl auf den Anfangswert.

Durch diese Maßnahme werden die akustischen und elektrischen Störungen des Lüfters auf ein Minimum reduziert.

5.2 Prüfen und Abgleichen

5.2.1 Prüfen der Oberspannungen

→ Oberspannungen an den in Tabelle 5-1 angegebenen Meßpunkten ohne Belastung des Netzteils messen.

Die Genauigkeit der Oberspannungen soll bei 220 V ± 1 V (50 Hz) $\pm 0,5$ V betragen.

Tabelle 5-1

Meßpunkt	Spannung	Toleranz
P1	10,8 V	$\pm 0,5$ V
P50	25,2 V	$\pm 0,5$ V
P100	34,3 V	$\pm 0,5$ V
P150	-22,8 V	$\pm 0,5$ V

5.2.2 Einstellung der Netzteilspannungen

Das Einstellen aller fünf geregelten Ausgangsspannungen des Netzteils erfolgt durch Abgleichen der Referenzspannung.

→ Netzteil ohne Belastung an 220 V ± 1 V (50 Hz) betreiben.

→ Referenzspannung am Meßpunkt P154 mittels R172 auf einen Wert von 2,5 V $\pm 0,01$ V einstellen.

Tabelle 5-2

Meßpunkt	Spannung	Toleranz	Abgleich
P154	2,5 V	$\pm 0,01$ V	R172

5.2.3 Prüfen der Ausgangsspannungen

Bei Netzspannungsänderung von 198 V...242 V sind die in Tabelle 5-3 angegebenen Werte zu überprüfen.

- Netzteil mit Belastung betreiben.
- Zur Messung der Störspannungen Lüfter abklemmen.
- Störspannungen mit einem erdfreien Millivoltmeter messen (UPGR).

Tabelle 5-3

Meßpunkt	Spannung	Änderung (max.)	Störspannung
P4	5,3 V $\pm 0,1$ V	0,03 V	<0,1 mV _{eff}
P7	5,3 V $\pm 0,1$ V	0,03 V	<0,1 mV _{eff}
P53	15 V $\pm 0,3$ V	0,1 V	<0,2 mV _{eff}
P103	24 V $\pm 0,5$ V	0,15 V	<0,2 mV _{eff}
P153	-15 V $\pm 0,3$ V	0,1 V	<0,2 mV _{eff}
P154	2,5 V $\pm 0,01$ V	0,015 V	<0,05 mV _{eff}

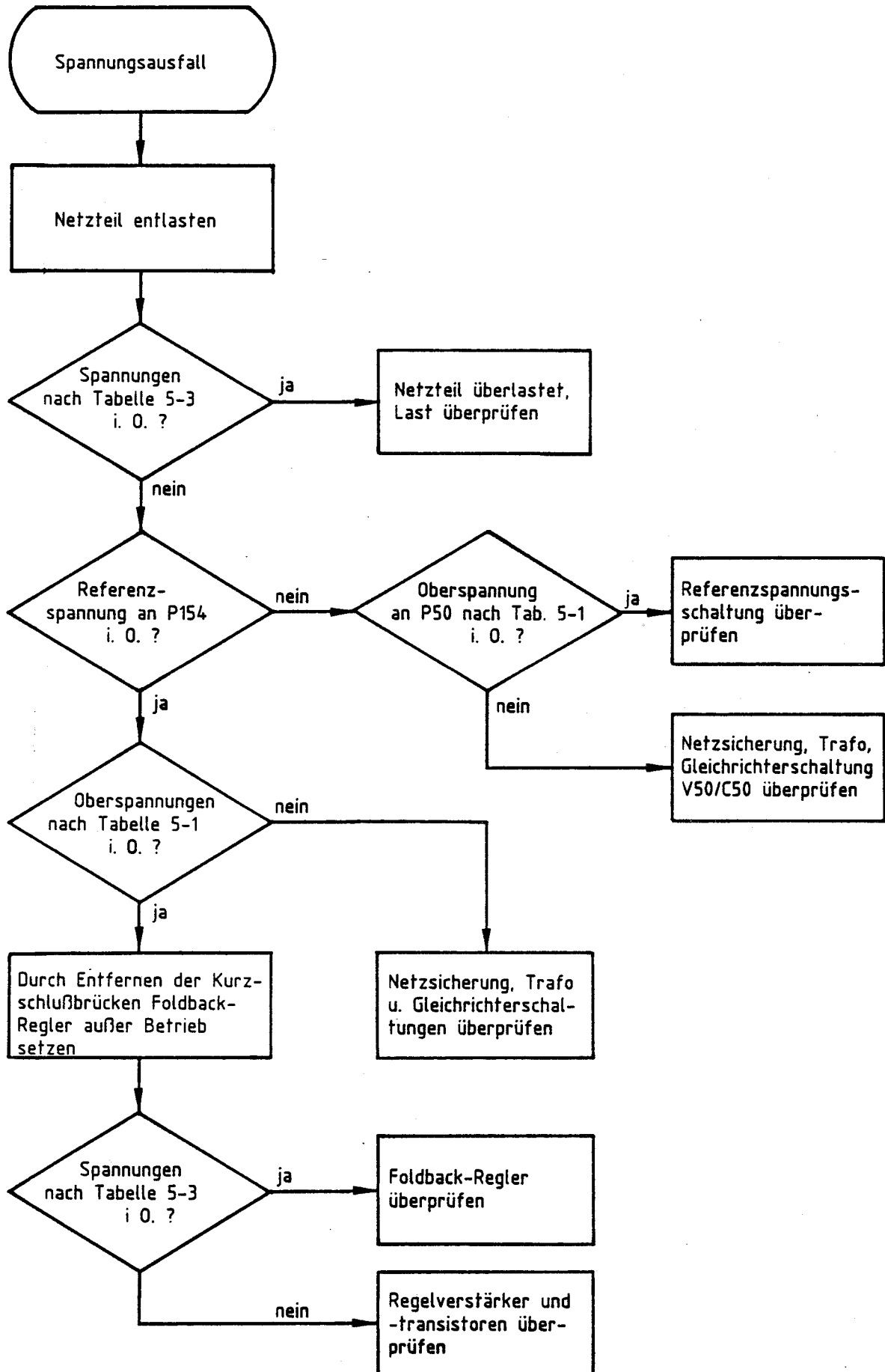
5.2.4 Abgleich der Spannungsüberwachung (Powerfail-Schaltung)

- Die Ansprechschwelle der Powerfail-Schaltung mit R2 so einstellen, daß bei Unterschreitung von 190 V ± 1 V Primärspannung die Spannung am Meßpunkt P8 von ca. 5,3 V auf ca. 0,3 V $\pm 0,1$ V wechselt.
- Anschließend prüfen, ob bei Erhöhung der Primärspannung von 185 V auf 197 V ± 1 V Primärspannung die Spannung am Meßpunkt P8 von 0,3 V auf 5,3 V wechselt.

Tabelle 5-4

Primärspannung	Spannung an P8	Abgleich
190 V ± 1 V	0,3 V $\pm 0,1$ V	R2
197 V ± 1 V	5,3 V $\pm 0,1$ V	--

5.3 Fehlersuche



5.4 Schnittstellen

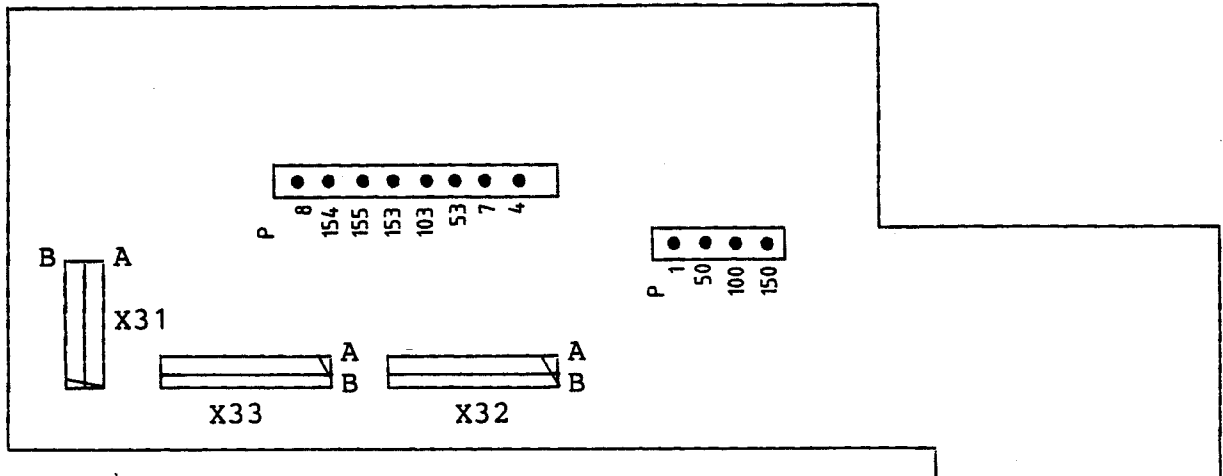


Bild 5-3 Lage der Prüf- und Trimpunkte

Analoge Schnittstellen

Primärspannung: 220 V \pm 1 V (50 Hz)

Spannung	X31	X32	X33	Meßpunkt	Spannung am Meßpunkt
5,2 V \sim	A1,B1	A1,A2,B1,B2	-	P7	5,3 V \pm 0,1 V
5,2 V	-	-	A2,A3,B2,B3	P4	5,3 V \pm 0,1 V
15 V	A3,B3	A6,B6	A4,B4	P53	15,0 V \pm 0,3 V
-15 V	-	A8,B8	A5,B5	P153	-15 V \pm 0,3 V
24 V	-	A4,B4	B7	P103	24 V \pm 0,5 V
\perp	A2,B2, A4	A3,B3,A5,B5 A7,B7,A9	A1,B1,A6,B6 A7,A8	P \emptyset	0 V

Digitale Schnittstelle

Netzspannung	X33.B8
220 V/50 Hz	5,3 V \pm 0,1 V
190 V/50 Hz	0,3 V \pm 0,1 V



ROHDE & SCHWARZ

SERVICE DOCUMENTS

Power Pack Module

801.1614.02

Printed in West Germany

Contents

	Page	
5	<u>Service Manual for Power Pack Module</u>	5.1
5.1	Function Description	5.1
5.2	Checking and Adjustments	5.4
5.2.1	Checking the High-end Voltages	5.4
5.2.2	Adjusting the Power Pack Voltages	5.4
5.2.3	Checking the Control Response and the Noise Voltages	5.5
5.2.4	Adjust Voltage Monitoring (Power Failure Circuit)	5.5
5.3	Troubleshooting	5.6
5.4	Interfaces	5.7

Component lists
Circuit diagrams
Component layout diagrams

5.1 Function Description

(See circuit diagram 801.1614 S and Fig. 5-1)

The power pack module consists of the line transformer T1, the rectifier circuits V1, V12, V50, V100 and V150, the reference voltage generator circuit, the voltage regulator circuits and a power failure circuit to detect reduction and loss of AC power supply.

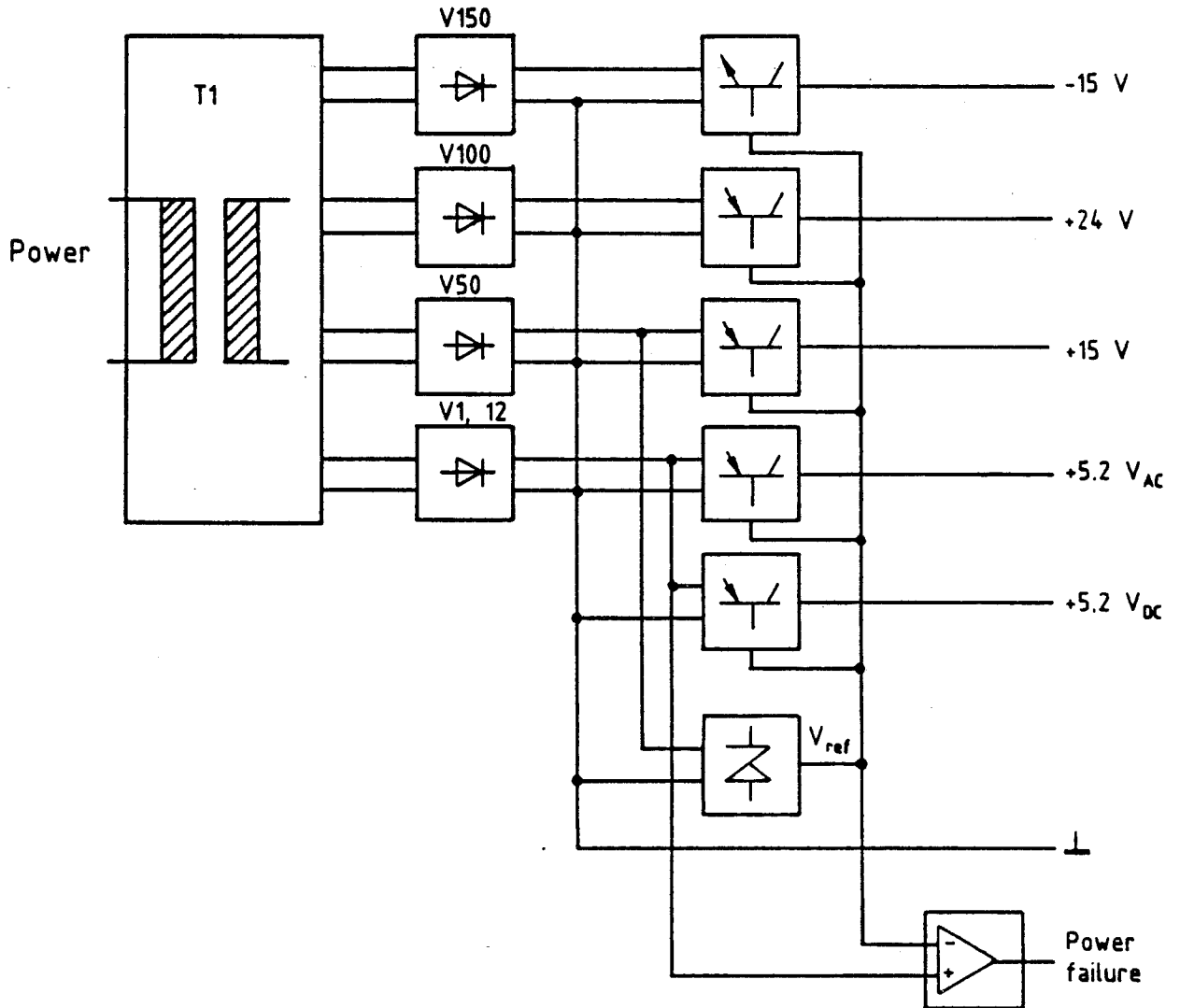


Fig. 5-1 Block diagram of the power pack

The power pack supplies the instrument with three regulated DC voltages of -15 V, +24 V, +15 V and two voltages of +5.2 V.

The primary side of the line transformer is connected via a line filter and a voltage selector. Four different line voltages can be selected: 100 V, 120 V, 220 V and 240 V.

The primary side of the line transformer is protected against short-circuits by a fuse and against thermal overloads by a thermal switch sealed in the transformer laminations. Four windings are present on the secondary side of the transformer where, because of the high loading by the two 5-V regulating units, the 5-V centre-tap winding has a mid-point full-wave rectifier circuit made up of two Schottky power diodes.

The other three rectifier circuits are fitted with bridge rectifiers. The high-end voltages present on the four charging capacitors of the rectifier circuits are connected to five control circuits of basically the same design which eliminate the ripple and stabilize their output voltages at the values mentioned above. All regulators are connected to one highly stable reference which means that all output voltages can be adjusted using only one potentiometer.

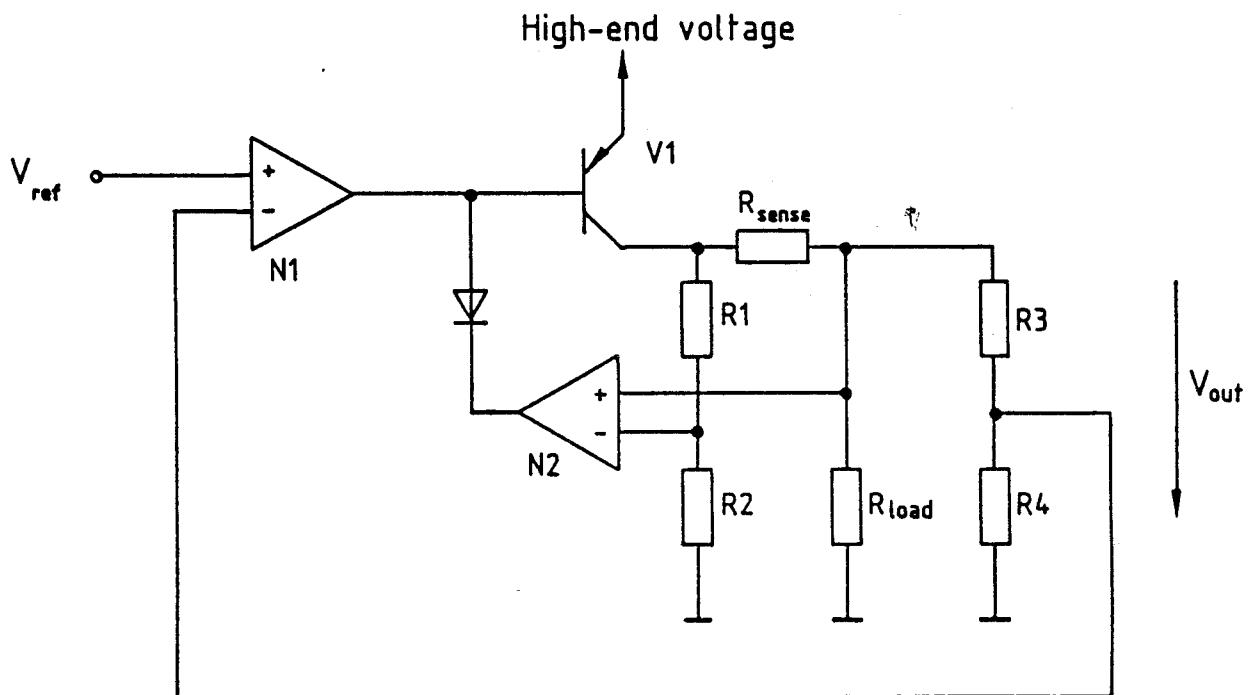


Fig. 5-2 Basic circuit diagram of a regulator

The control amplifier N1 compares the output voltage of the regulator divided by the voltage divider R3, R4 with a reference voltage derived from a reference diode and controls the transistor V1 (which acts as a control element) so that the following constant output voltage is set:

$$V_a = \left(1 + \frac{R3}{R4}\right) \times V_{Ref}$$

The current/voltage characteristic of the regulator has a fold-back characteristic in order to protect the control transistor V1 from overloads.

If the load current exceeds a maximum value, the regulator reduces its output current as the load increases so that the power loss occurring in transistor V1 is limited.

This response is controlled by the fold-back amplifier N2 which acts on the control of transistor V1 as soon as the output current measured using R_{sense} exceeds a limit value defined by the voltage divider R1, R2.

In addition to the voltage regulators, the power pack contains a power failure circuit which detects reduction or loss of the AC power supply early enough to enable the processor to execute a routine to save the data. The value of the high-end voltage of the 5-V control unit is monitored. The output of the power failure circuit is switched to Low if the high-end voltage drops below the limit and an interrupt is generated which initiates data saving routine.

For cooling the modules, the instrument is equipped with a ventilator with variable speed which is supplied from the high-end voltage of the 5-V control unit at temperatures below 45 °C. If the temperature inside the instrument reaches 45 °C, a thermal switch switches the high-end voltage of the 15-V control unit to the ventilator so that the ventilator speed increases. If the temperature drops below 35 °C, the switch is opened and the speed is reduced to the initial value.

The noise (audible and electrical) caused by the ventilator is thereby reduced to a minimum.

5.2 Checking and Adjustments

5.2.1 Checking the High-end Voltages

→ Measure the high-end voltages at the test points listed in Table 5-1 without loading the power pack.

The accuracy of the high-end voltages should be ± 0.5 V at 220 V ± 1 V (50 Hz).

Table 5-1

Test point	Voltage	Tolerance
P1	10.8 V	± 0.5 V
P50	25.2 V	± 0.5 V
P100	34.3 V	± 0.5 V
P150	-22.8 V	± 0.5 V

5.2.2 Adjusting the Power Pack Voltages

All five regulated output voltages of the power pack are set by adjusting the reference voltage.

- Connect the power pack without a load to 220 V ± 1 V (50 Hz).
- Adjust reference voltage at test point P154 to a value of 2.5 V ± 0.01 V using R172.

Table 5-2

Test point	Voltage	Tolerance	Adjustment
P154	2.5 V	± 0.01 V	R172

5.2.3 Checking the Control Response and the Noise Voltages

Check the values listed in Table 5-3 when changing the AC power supply voltage from 198 V to 242 V.

- Operate power pack without load.
- Disconnect ventilator when measuring the noise voltages.
- Measure the noise voltages using a floating millivoltmeter (UPGR).

Table 5-3

Test point	Voltage	Change (max.)	Noise voltage
P4	5.3 V \pm 0.1 V	0.03 V	<0.1 mV _{rms}
P7	5.3 V \pm 0.1 V	0.03 V	<0.1 mV _{rms}
P53	15 V \pm 0.3 V	0.1 V	<0.2 mV _{rms}
P103	24 V \pm 0.5 V	0.15 V	<0.2 mV _{rms}
P153	-15 V \pm 0.3 V	0.1 V	<0.2 mV _{rms}
P154	2.5 V \pm 0.01 V	0.015 V	<0.05 mV _{rms}

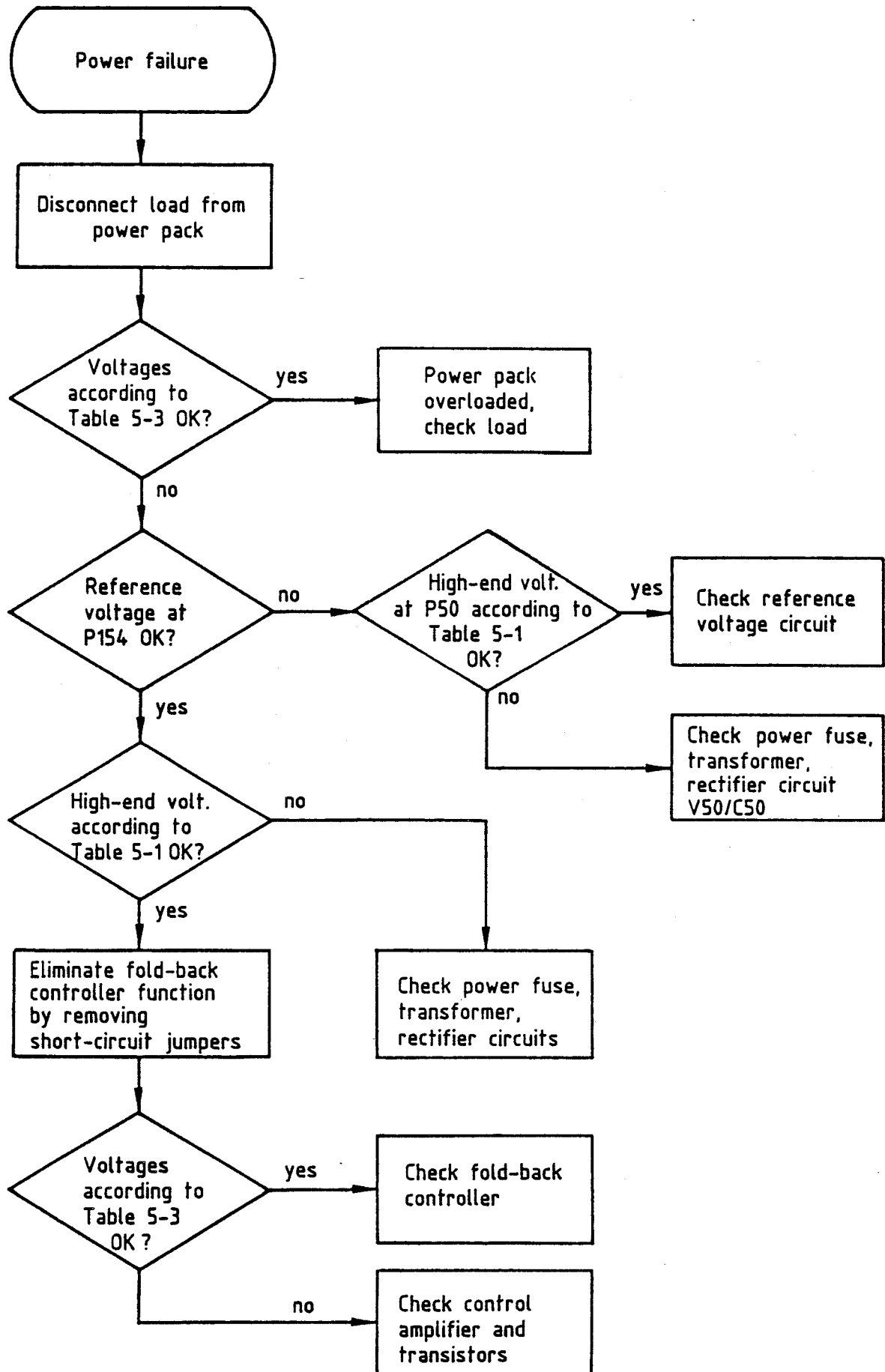
5.2.4 Adjust Voltage Monitoring (Power Failure Circuit)

- Adjust the response threshold of the power failure circuit using R2 such that the voltage at test point P8 changes from approx. 5.3 V to approx. 0.3 V \pm 0.1 V when the primary voltage drops below 190 V \pm 1 V.
- Subsequently check whether the voltage at test point P8 changes from 0.3 V to 5.3 V when the primary voltage is increased from 185 V to 197 V \pm 1 V.

Table 5-4

Primary voltage	Voltage at P8	Adjustment
190 V \pm 1 V	0.3 V \pm 0.1 V	R2
197 V \pm 1 V	5.3 V \pm 0.1 V	--

5.3 Troubleshooting



5.4 Interfaces

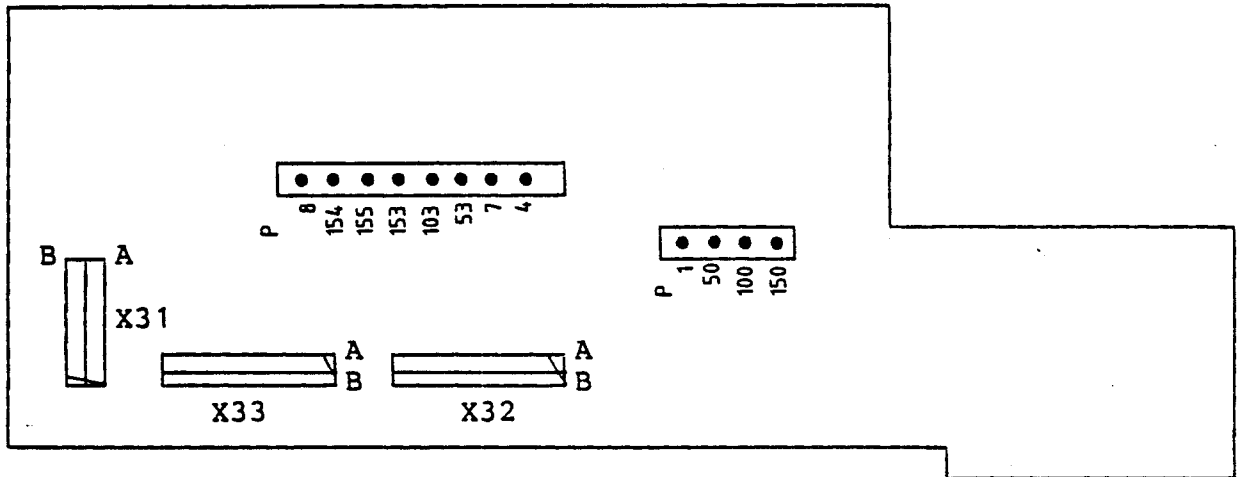


Fig. 5-3 Positions of the test points and trimmers

Analog interfaces

Primary voltage: 220 V \pm 1 V (50 Hz)

Voltage	X31	X32	X33	Test point	Voltage at test point
5.2 V \sim	A1, B1	A1, A2, B1, B2	-	P7	5.3 V \pm 0.1 V
5.2 V	-	-	A2, A3, B2, B3	P4	5.3 V \pm 0.1 V
15 V	A3, B3	A6, B6	A4, B4	P53	15.0 V \pm 0.3 V
-15 V	-	A8, B8	A5, B5	P153	-15 V \pm 0.3 V
24 V	-	A4, B4	B7	P103	24 V \pm 0.5 V
\perp	A2, B2, A4	A3, B3, A5, B5, A7, B7, A9	A1, B1, A6, B6, A7, A8	P0	0 V

Digital interface

Line voltage	X33.B8
220 V/50 Hz	5.3 V \pm 0.1 V
190 V/50 Hz	0.3 V \pm 0.1 V



ROHDE & SCHWARZ

Schaltteillisten

Stromläufe

Bestückungspläne

Part lists

Circuit diagrams

Components plans


Listes des pièces détachées

Schémas de Circuit

Plans des composants

Für diese Unterlage behalten wir uns alle Rechte vor.

Kennz. Comp. No.	Benennung Designation	Sachnummer Stock No.	Hersteller Manufacturer	Bezeichnung Designation	enthalten in contained in
C1	CE 2200UF-10+50%25V40RD ELECTROLYTIC CAPACITOR	0099.0443.00	ROEDERSTEI	EYV 00 DF 522 E 01	0801.1666.01
C2	CC 10NF-20+50%7X8R4000 CAPACITOR	CC 0087.7525.00	VALVO	2222 640 51103	0801.1666.01
C3	CK 1UF+-5%50V7,5X5,5X10,5 CAPACITOR	CK 0099.2998.00	SIEMENS	B32529-C5105-J189	0801.1666.01
C4	CK 1UF+-5%50V7,5X5,5X10,5 CAPACITOR	CK 0099.2998.00	SIEMENS	B32529-C5105-J189	0801.1666.01
C5	CK 1UF+-5%50V7,5X5,5X10,5 CAPACITOR	CK 0099.2998.00	SIEMENS	B32529-C5105-J189	0801.1666.01
C6	CE 22UF+-20%63V RM5 ELECTROLYTIC CAPACITOR	0008.7433.00	PHILIPS_CO	2222 116 90111	0801.1666.01
C11	CE 100UF+-20%35V RM5 ELECTROLYTIC CAPACITOR	0008.7510.00	PHILIPS_CO	2222 116 90042	0801.1666.01
C12	CE 100UF+-20%35V RM5 ELECTROLYTIC CAPACITOR	0008.7510.00	PHILIPS_CO	2222 116 90042	0801.1666.01
C13	CK 1UF+-5%50V7,5X5,5X10,5 CAPACITOR	CK 0099.2998.00	SIEMENS	B32529-C5105-J189	0801.1666.01
C14	CK 1UF+-5%50V7,5X5,5X10,5 CAPACITOR	CK 0099.2998.00	SIEMENS	B32529-C5105-J189	0801.1666.01
C50	CE 10MF-10+50%40VRD35X45 ELECTROLYTIC CAPACITOR	0250.3134.00	PHILIPS_CO	2222 051 57103	0801.1666.01
C51	CK 1UF+-5%50V7,5X5,5X10,5 CAPACITOR	CK 0099.2998.00	SIEMENS	B32529-C5105-J189	0801.1666.01
C52	CE 22UF+-20%63V RM5 ELECTROLYTIC CAPACITOR	0008.7433.00	PHILIPS_CO	2222 116 90111	0801.1666.01
C54	CE 100UF+-20%63V RM5 ELECTROLYTIC CAPACITOR	CE 0008.7879.00	PANASONIC	ECA 1 JFG 101 B	0801.1666.01
C55	CK 1UF+-5%50V7,5X5,5X10,5 CAPACITOR	CK 0099.2998.00	SIEMENS	B32529-C5105-J189	0801.1666.01
C100	CE 4700UF-10+50%63V35X80 ELECTROLYTIC CAPACITOR	0292.9024.00	PHILIPS_CO	2222 051 58472	0801.1666.01
C103	CK 1UF+-5%50V7,5X5,5X10,5 CAPACITOR	CK 0099.2998.00	SIEMENS	B32529-C5105-J189	0801.1666.01
C104	CE 100UF+-20%63V RM5 ELECTROLYTIC CAPACITOR	CE 0008.7879.00	PANASONIC	ECA 1 JFG 101 B	0801.1666.01
C105	CK 1UF+-5%50V7,5X5,5X10,5 CAPACITOR	CK 0099.2998.00	SIEMENS	B32529-C5105-J189	0801.1666.01
C150	CE 2200UF-10+50%40V30X50 ELECTROLYTIC CAPACITOR	0291.6180.00	ROEDERSTEI	EYV 00 BB 422 G 01	0801.1666.01
C151	CE 100UF+-20%63V RM5 ELECTROLYTIC CAPACITOR	CE 0008.7879.00	PANASONIC	ECA 1 JFG 101 B	0801.1666.01
C152	CE 100UF+-20%35V RM5 ELECTROLYTIC CAPACITOR	0008.7510.00	PHILIPS_CO	2222 116 90042	0801.1666.01
C153	CE 22UF+-20%63V RM5 ELECTROLYTIC CAPACITOR	0008.7433.00	PHILIPS_CO	2222 116 90111	0801.1666.01
C154	CE 22UF+-20%63V RM5 ELECTROLYTIC CAPACITOR	0008.7433.00	PHILIPS_CO	2222 116 90111	0801.1666.01
C155	CK 1UF+-5%50V7,5X5,5X10,5 CAPACITOR	CK 0099.2998.00	SIEMENS	B32529-C5105-J189	0801.1666.01
E1	DX LUEFTEREINHEIT BLOWER UNIT	0801.1708.00			
F1	SS SCHMELZ.T1,6IEC127-2/3 FUSE T1,6 FUER/FOR 220V/240V SCHMELZS/FUSE T2,0D IEC 127 (009.0578) FUER/FOR 100V/120V	SS 0009.0561.00	WICKMANN	T1.6 L NR.19195	
N1	BO LM339N 4X COMPAR COMPARATOR	0342.2062.00	NSC	LM339N	0801.1666.01
N2	BO LM124J 4XLP OPAMP OPERATIONAL AMPLIFIER	0300.6353.00	NSC	LM124J	0801.1666.01
N50	BO LM124J 4XLP OPAMP OPERATIONAL AMPLIFIER	0300.6353.00	NSC	LM124J	0801.1666.01
N150	BO LM124J 4XLP OPAMP OPERATIONAL AMPLIFIER	0300.6353.00	NSC	LM124J	0801.1666.01
P0	FP STIFTLAISTE 36P.R2,54 PIN CONNECTOR 9-POLIG/9 PINS	FP 0242.3600.00	MPE	STL1-1180-14GGT8-036	0801.1666.01
P1	FP STIFTLAISTE 36P.R2,54 PIN CONNECTOR 4-POLIG/PINS	FP 0242.3600.00	MPE	STL1-1180-14GGT8-036	0801.1666.01
P3	FP STIFTLAISTE 36P.R2,54 PIN CONNECTOR	FP 0242.3600.00	MPE	STL1-1180-14GGT8-036	0801.1666.01


MEZ15	790 3PLU	Äi	Datum Date	Schaltteilliste für Parts list for	Sachnummer Stock No.	Blatt-Nr. Page
	ROHDE & SCHWARZ	40	03.05.99	ZJ NETZTEIL POWER SUPPLY	0801.1614.01 SA	1+

095.0026-0693

Wir uns alle Rechte vor.

Kennz. Comp. No.	Benennung Designation	Sachnummer Stock No.	Hersteller Manufacturer	Bezeichnung Designation	enthalten in contained in
P4	2X5-POLIG/PINS FP STIFTELEISTE 36P.R2,54 PIN CONNECTOR ENTHALTEN/INCLUDED IN P0	FP 0242.3600.00	MPE	STL1-1180-14GGT8-036	0801.1666.01
P6	FP STIFTELEISTE 36P.R2,54 PIN CONNECTOR ENTHALTEN/INCLUDED IN P3	FP 0242.3600.00	MPE	STL1-1180-14GGT8-036	0801.1666.01
P7	FP STIFTELEISTE 36P.R2,54 PIN CONNECTOR ENTHALTEN/INCLUDED IN P0	FP 0242.3600.00	MPE	STL1-1180-14GGT8-036	0801.1666.01
P8	FP STIFTELEISTE 36P.R2,54 PIN CONNECTOR ENTHALTEN/INCLUDED IN P0	FP 0242.3600.00	MPE	STL1-1180-14GGT8-036	0801.1666.01
P50	FP STIFTELEISTE 36P.R2,54 PIN CONNECTOR ENTHALTEN/INCLUDED IN P1	FP 0242.3600.00	MPE	STL1-1180-14GGT8-036	0801.1666.01
P52	FP STIFTELEISTE 36P.R2,54 PIN CONNECTOR ENTHALTEN/INCLUDED IN P3	FP 0242.3600.00	MPE	STL1-1180-14GGT8-036	0801.1666.01
P53	FP STIFTELEISTE 36P.R2,54 PIN CONNECTOR ENTHALTEN/INCLUDED IN P0	FP 0242.3600.00	MPE	STL1-1180-14GGT8-036	0801.1666.01
P100	FP STIFTELEISTE 36P.R2,54 PIN CONNECTOR ENTHALTEN/INCLUDED IN P1	FP 0242.3600.00	MPE	STL1-1180-14GGT8-036	0801.1666.01
P102	FP STIFTELEISTE 36P.R2,54 PIN CONNECTOR ENTHALTEN/INCLUDED IN P3	FP 0242.3600.00	MPE	STL1-1180-14GGT8-036	0801.1666.01
P103	FP STIFTELEISTE 36P.R2,54 PIN CONNECTOR ENTHALTEN/INCLUDED IN P0	FP 0242.3600.00	MPE	STL1-1180-14GGT8-036	0801.1666.01
P150	FP STIFTELEISTE 36P.R2,54 PIN CONNECTOR ENTHALTEN/INCLUDED IN P1	FP 0242.3600.00	MPE	STL1-1180-14GGT8-036	0801.1666.01
P152	FP STIFTELEISTE 36P.R2,54 PIN CONNECTOR ENTHALTEN/INCLUDED IN P3	FP 0242.3600.00	MPE	STL1-1180-14GGT8-036	0801.1666.01
P153	FP STIFTELEISTE 36P.R2,54 PIN CONNECTOR ENTHALTEN/INCLUDED IN P0	FP 0242.3600.00	MPE	STL1-1180-14GGT8-036	0801.1666.01
P154	FP STIFTELEISTE 36P.R2,54 PIN CONNECTOR ENTHALTEN/INCLUDED IN P0	FP 0242.3600.00	MPE	STL1-1180-14GGT8-036	0801.1666.01
P155	FP STIFTELEISTE 36P.R2,54 PIN CONNECTOR ENTHALTEN/INCLUDED IN P0	FP 0242.3600.00	MPE	STL1-1180-14GGT8-036	0801.1666.01
R1	RL 0,60W 4,75KOHM+-1%TK50 RESISTOR	RL 0083.1097.00	PHILIPS_CO	MRS 25	0801.1666.01
R2	RS 0,5W10KOHM+-10%10X10X5 CERMET POTENTIOMETER T	RS 0247.7903.00	BI_TECHNOL	72PM	0801.1666.01
R3	RL 0,60W 2,21KOHM+-1%TK50 RESISTOR	RL 0082.2477.00	RESISTA	MK2	0801.1666.01
R4	RL 0,60W 36,5KOHM+-1%TK50 RESISTOR	RL 0083.1716.00	RESISTA	MK2	0801.1666.01
R5	RL 0,60W 1KOHM+-1%TK50 RESISTOR	RL 0082.2160.00	PHILIPS_CO	MRS 25	0801.1666.01
R6	RL 0,60W 121KOHM+-1%TK50 RESISTOR	RL 0083.2070.00	RESISTA	MK2	0801.1666.01
R7	RL 0,60W 1KOHM+-1%TK50 RESISTOR	RL 0082.2160.00	PHILIPS_CO	MRS 25	0801.1666.01
R9	RL 0,60W 332 OHM+-1%TK50 RESISTOR	RL 0083.0255.00	RESISTA	MK2	0801.1666.01
R11	RL 0,60W 221 OHM+-1%TK50 RESISTOR	RL 0083.0084.00	PHILIPS_CO	MRS 25	0801.1666.01
R12	RL 0,35W 511 OHM+-1%TK50 RESISTOR	RL 0083.0426.00	RESISTA	MK2	0801.1666.01
R13	RL 0,60W 475 OHM+-1%TK50 RESISTOR	RL 0083.0390.00	PHILIPS_CO	MRS 25	0801.1666.01
R14	RL 0,60W 536 OHM+-1%TK50 RESISTOR	RL 0083.0449.00	RESISTA	MK2	0801.1666.01
R15	RL 0,60W 2,74KOHM+-1%TK50 RESISTOR	RL 0083.0926.00	PHILIPS_CO	MRS 25	0801.1666.01
R16	RL 0,60W 5,62KOHM+-1%TK50 RESISTOR	RL 0082.2190.00	PHILIPS_CO	MRS 25	0801.1666.01
R17	RL 0,60W 3,32KOHM+-1%TK50 RESISTOR	RL 0083.0990.00	RESISTA	MK2	0801.1666.01


095.0026-0693

MEZ15	790 3PLU	Äi	Datum Date	Schalteilliste für Parts list for	Sachnummer Stock No.	Blatt-Nr. Page
		40	03.05.99	ZJ NETZTEIL POWER SUPPLY	0801.1614.01 SA	2+

Für diese Unterlage behalten wir uns alle Rechte vor.

Kennz. Comp. No.	Benennung Designation	Sachnummer Stock No.	Hersteller Manufacturer	Bezeichnung Designation	enthalten in contained in
R18	RL 0,60W22,10 OHM+-1%TK50 RESISTOR	RL 0082.9188.00	RESISTA	MK2	0801.1666.01
R19	RL 0,60W 33,2 OHM+-1%TK50 RESISTOR	RL 0082.9359.00	PHILIPS_CO	MRS 25	0801.1666.01
R20	RL 0,60W 82,5 OHM+-1%TK50 RESISTOR	RL 0082.9707.00	RESISTA	MK2	0801.1666.01
R21	RL 0,60W 1,50KOHM+-1%TK50 RESISTOR	RL 0083.0732.00	PHILIPS_CO	MRS 25	0801.1666.01
R23	RL 0,60W 20,0KOHM+-1%TK50 RESISTOR	RL 0083.1522.00	RESISTA	MK2	0801.1666.01
R24	RL 0,60W 100KOHM+-1%TK50 RESISTOR	RL 0082.1764.00	RESISTA	MK2	0801.1666.01
R26	RL 0,60W 10,0KOHM+-1%TK50 RESISTOR	RL 0083.1297.00	PHILIPS_CO	MRS 25	0801.1666.01
R27	RD 0,8W 0,1 OHM+-1% WIRE WOUND RESISTOR	RD 0087.5216.00	DALE	LVR-1 ... (RS-1A)	0801.1666.01
R30	RL 0,60W 221 OHM+-1%TK50 RESISTOR	RL 0083.0084.00	PHILIPS_CO	MRS 25	0801.1666.01
R31	RL 0,60W 475 OHM+-1%TK50 RESISTOR	RL 0083.0390.00	PHILIPS_CO	MRS 25	0801.1666.01
R32	RL 0,60W 536 OHM+-1%TK50 RESISTOR	RL 0083.0449.00	RESISTA	MK2	0801.1666.01
R33	RL 0,60W 2,74KOHM+-1%TK50 RESISTOR	RL 0083.0926.00	PHILIPS_CO	MRS 25	0801.1666.01
R34	RL 0,60W 7,50KOHM+-1%TK50 RESISTOR	RL 0083.1197.00	RESISTA	MK2	0801.1666.01
R35	RL 0,60W 3,32KOHM+-1%TK50 RESISTOR	RL 0083.0990.00	RESISTA	MK2	0801.1666.01
R36	RL 0,60W22,10 OHM+-1%TK50 RESISTOR	RL 0082.9188.00	RESISTA	MK2	0801.1666.01
R37	RL 0,60W 33,2 OHM+-1%TK50 RESISTOR	RL 0082.9359.00	PHILIPS_CO	MRS 25	0801.1666.01
R38	RL 0,60W 82,5 OHM+-1%TK50 RESISTOR	RL 0082.9707.00	RESISTA	MK2	0801.1666.01
R39	RL 0,60W 619 OHM+-1%TK50 RESISTOR	RL 0083.0478.00	PHILIPS_CO	MRS 25	0801.1666.01
R41	RL 0,60W 20,0KOHM+-1%TK50 RESISTOR	RL 0083.1522.00	RESISTA	MK2	0801.1666.01
R42	RL 0,60W 100KOHM+-1%TK50 RESISTOR	RL 0082.1764.00	RESISTA	MK2	0801.1666.01
R44	RL 0,60W 10,0KOHM+-1%TK50 RESISTOR	RL 0083.1297.00	PHILIPS_CO	MRS 25	0801.1666.01
R45	RD 0,8W 0,1 OHM+-1% WIRE WOUND RESISTOR	RD 0087.5216.00	DALE	LVR-1 ... (RS-1A)	0801.1666.01
R50	RL 0,60W 221 OHM+-1%TK50 RESISTOR	RL 0083.0084.00	PHILIPS_CO	MRS 25	0801.1666.01
R51	RL 0,35W 511 OHM+-1%TK50 RESISTOR	RL 0083.0426.00	RESISTA	MK2	0801.1666.01
R52	RL 0,60W 150 OHM+-1%TK50 RESISTOR	RL 0082.9942.00	RESISTA	MK2	0801.1666.01
R53	RL 0,60W 750 OHM+-1%TK50 RESISTOR	RL 0082.2360.00	ROEDERSTEI	MK2	0801.1666.01
R54	RL 0,60W 2,74KOHM+-1%TK50 RESISTOR	RL 0083.0926.00	PHILIPS_CO	MRS 25	0801.1666.01
R55	RL 0,60W 7,50KOHM+-1%TK50 RESISTOR	RL 0083.1197.00	RESISTA	MK2	0801.1666.01
R56	RL 0,60W 3,32KOHM+-1%TK50 RESISTOR	RL 0083.0990.00	RESISTA	MK2	0801.1666.01
R57	RL 0,60W 432 OHM+-1%TK50 DEPOS.-CARBON RESISTOR	RL 0083.0355.00	RESISTA	MK2	0801.1666.01
R58	RL 0,60W 33,2 OHM+-1%TK50 RESISTOR	RL 0082.9359.00	PHILIPS_CO	MRS 25	0801.1666.01
R59	RL 0,60W 100 OHM+-1%TK50 RESISTOR	RL 0082.6543.00	PHILIPS_CO	MRS 25	0801.1666.01
R60	RL 0,60W 100 OHM+-1%TK50 RESISTOR	RL 0082.6543.00	PHILIPS_CO	MRS 25	0801.1666.01
R61	RL 0,60W 121 OHM+-1%TK50 RESISTOR	RL 0082.9859.00	RESISTA	MK2	0801.1666.01
R62	RL 0,60W 2,21KOHM+-1%TK50 RESISTOR	RL 0082.2477.00	RESISTA	MK2	0801.1666.01
R63	RL 0,60W 12,1KOHM+-1%TK50 RESISTOR	RL 0083.1351.00	PHILIPS_CO	MRS 25	0801.1666.01
R64	RL 0,60W30,10 OHM+-1%TK50 RESISTOR	RL 0082.9313.00	RESISTA	MK2	0801.1666.01
R65	RD 0,8W 0,1 OHM+-1% WIRE WOUND RESISTOR	RD 0087.5216.00	DALE	LVR-1 ... (RS-1A)	0801.1666.01
R66	RL 0,60W 2,21KOHM+-1%TK50 RESISTOR	RL 0082.2477.00	RESISTA	MK2	0801.1666.01


095.0026-0693

MEZ15	790 3PLU	Äi	Datum Date	Schalttailliste für Parts list for	Sachnummer Stock No.	Blatt-Nr. Page
	40	03.05.99	ZJ NETZTEIL POWER SUPPLY	0801.1614.01 SA	3+	

Kennz. Comp. No.	Benennung Designation	Sachnummer Stock No.	Hersteller Manufacturer	Bezeichnung Designation	enthalten in contained in
R100	RL 0,60W 221 OHM+-1%TK50 RESISTOR	RL 0083.0084.00	PHILIPS_CO	MRS 25	0801.1666.01
R101	RL 0,60W 232 OHM+-1%TK50 RESISTOR	RL 0083.0103.00	RESISTA	MK2	0801.1666.01
R102	RL 0,60W 1,74KOHM+-1%TK50 RESISTOR	RL 0083.0784.00	RESISTA	MK2	0801.1666.01
R103	RL 0,60W 255 OHM+-1%TK50 RESISTOR	RL 0083.0149.00	RESISTA	MK2	0801.1666.01
R104	RL 0,60W 2,74KOHM+-1%TK50 RESISTOR	RL 0083.0926.00	PHILIPS_CO	MRS 25	0801.1666.01
R105	RL 0,60W 11,5KOHM+-1%TK50 RESISTOR	RL 0083.1339.00	RESISTA	MK2	0801.1666.01
R106	RL 0,60W 3,32KOHM+-1%TK50 RESISTOR	RL 0083.0990.00	RESISTA	MK2	0801.1666.01
R107	RL 0,60W 681 OHM+-1%TK50 RESISTOR	RL 0083.0490.00	RESISTA	MK2	0801.1666.01
R108	RL 0,60W 33,2 OHM+-1%TK50 RESISTOR	RL 0082.9359.00	PHILIPS_CO	MRS 25	0801.1666.01
R109	RL 0,60W 221 OHM+-1%TK50 RESISTOR	RL 0083.0084.00	PHILIPS_CO	MRS 25	0801.1666.01
R110	RL 0,60W 221 OHM+-1%TK50 RESISTOR	RL 0083.0084.00	PHILIPS_CO	MRS 25	0801.1666.01
R111	RL 0,60W 221 OHM+-1%TK50 RESISTOR	RL 0083.0084.00	PHILIPS_CO	MRS 25	0801.1666.01
R112	RL 0,60W 6,81KOHM+-1%TK50 RESISTOR	RL 0082.2560.00	RESISTA	MK2	0801.1666.01
R113	RL 0,60W 75,0KOHM+-1%TK50 RESISTOR	RL 0083.1916.00	RESISTA	MK2	0801.1666.01
R114	RL 0,60W 18,20 OHM+-1%TK50 RESISTOR	RL 0082.9107.00	RESISTA	MK2	0801.1666.01
R115	RD 0,8W 0,1 OHM+-1% WIRE WOUND RESISTOR	RD 0087.5216.00	DALE	LVR-1 ... (RS-1A)	0801.1666.01
R116	RD 2.4W 15 OHM+-1% WIRE-WOUND RESISTOR	RD 0087.5100.00	DALE	RS-2B	0801.1666.01
R150	RL 0,60W 33,2KOHM+-1%TK50 RESISTOR	RL 0083.1674.00	RESISTA	MK2	0801.1666.01
R151	RL 0,60W 33,2KOHM+-1%TK50 RESISTOR	RL 0083.1674.00	RESISTA	MK2	0801.1666.01
R152	RL 0,60W 150 OHM+-1%TK50 RESISTOR	RL 0082.9942.00	RESISTA	MK2	0801.1666.01
R153	RL 0,60W 750 OHM+-1%TK50 RESISTOR	RL 0082.2360.00	ROEDERSTEI	MK2	0801.1666.01
R154	RL 0,60W 2,74KOHM+-1%TK50 RESISTOR	RL 0083.0926.00	PHILIPS_CO	MRS 25	0801.1666.01
R155	RL 0,60W 9,09KOHM+-1%TK50 RESISTOR	RL 0082.2177.00	RESISTA	MK2	0801.1666.01
R156	RL 0,60W 3,32KOHM+-1%TK50 RESISTOR	RL 0083.0990.00	RESISTA	MK2	0801.1666.01
R157	RL 0,60W 475 OHM+-1%TK50 RESISTOR	RL 0083.0390.00	PHILIPS_CO	MRS 25	0801.1666.01
R158	RL 0,60W 33,2 OHM+-1%TK50 RESISTOR	RL 0082.9359.00	PHILIPS_CO	MRS 25	0801.1666.01
R159	RL 0,60W 100 OHM+-1%TK50 RESISTOR	RL 0082.6543.00	PHILIPS_CO	MRS 25	0801.1666.01
R160	RL 0,60W 100 OHM+-1%TK50 RESISTOR	RL 0082.6543.00	PHILIPS_CO	MRS 25	0801.1666.01
R161	RL 0,60W 121 OHM+-1%TK50 RESISTOR	RL 0082.9859.00	RESISTA	MK2	0801.1666.01
R162	RL 0,60W 5,11KOHM+-1%TK50 RESISTOR	RL 0082.2348.00	RESISTA	MK2	0801.1666.01
R163	RL 0,60W 27,4KOHM+-1%TK50 RESISTOR	RL 0082.2583.00	RESISTA	MK2	0801.1666.01
R164	RL 0,60W 30,10 OHM+-1%TK50 RESISTOR	RL 0082.9313.00	RESISTA	MK2	0801.1666.01
R165	RD 0,8W 0,1 OHM+-1% WIRE WOUND RESISTOR	RD 0087.5216.00	DALE	LVR-1 ... (RS-1A)	0801.1666.01
R170	RL 0,60W 1,50KOHM+-1%TK50 RESISTOR	RL 0083.0732.00	PHILIPS_CO	MRS 25	0801.1666.01
R171	RL 0,60W 6,81KOHM+-1%TK50 RESISTOR	RL 0082.2560.00	RESISTA	MK2	0801.1666.01
R172	RS 0,5W 1KOHM+-10% 10X10X5 CERMET POTENTIOMETER	RS 0087.7560.00	BI_TECHNOL	72PM	0801.1666.01
R173	RL 0,60W 4,75KOHM+-1%TK50 RESISTOR	RL 0083.1097.00	PHILIPS_CO	MRS 25	0801.1666.01
R175	RL 0,60W 2,74KOHM+-1%TK50 RESISTOR	RL 0083.0926.00	PHILIPS_CO	MRS 25	0801.1666.01
R176	RL 0,60W 2,74KOHM+-1%TK50 RESISTOR	RL 0083.0926.00	PHILIPS_CO	MRS 25	0801.1666.01


Wir uns alle Rechte vor.

095.0026-0693

MEZ15	790 3PLU	Äi	Datum Date	Schaltteilliste für Parts list for	Sachnummer Stock No.	Blatt-Nr. Page
		40	03.05.99	ZJ NETZTEIL POWER SUPPLY	0801.1614.01 SA	4+

Für diese Unterlage behalten wir uns alle Rechte vor.


Kennz. Comp. No.	Benennung Designation	Sachnummer Stock No.	Hersteller Manufacturer	Bezeichnung Designation	enthalten in contained in
R216	RD 2.4W 15 OHM+-1% WIRE-WOUND RESISTOR	RD 0087.5100.00	DALE	RS-2B	0801.1666.01
S1	SB NETZSCHALTER 2XU 0.KN. POWER SWITCH	SB 0007.5143.00	ITT-SEL	NE18 2U E E	
S2	ST TEMP.SICH. 133 GRD. 3A THERMOFUSE	ST 0349.1903.00	WICKMANN	TYP X24-3A-250-133 G	0801.1920.00
S10	ENTHALTEN/INCLUDED IN T1 ST TEMP.SCHALT.45GRD SCHL TEMPERATURE SWITCH	0801.8325.00	MIDWEST_CO	MTS 45 A	
T1	LT TRAFEOINHEIT TRANSFORMER	0801.1914.00			
V1	AG MBR1645 SGL 45V 12AO RECTIFIER	0355.0057.00	GEN_INSTRU	MBR1645	0801.1666.01
V4	AD 1N4448 75V UDI DIODE	AD 0012.0700.00	PHILIPS_SE	1N4448 "	0801.1666.01
V5	AK BCY59IX N 45V 200MA TRANSISTOR	AK 0010.5163.00	VALVO	BCY59IX	0801.1666.01
V6	AL MJD45H11 P 80V 8AO PNP TRANSISTOR	AL 0284.4562.00	MOTOROLA	D45H11	0801.1666.01
V8	AD 1N4448 75V UDI DIODE	AD 0012.0700.00	PHILIPS_SE	1N4448 "	0801.1666.01
V9	AK BCY59IX N 45V 200MA TRANSISTOR	AK 0010.5163.00	VALVO	BCY59IX	0801.1666.01
V10	AL MJD45H11 P 80V 8AO PNP TRANSISTOR	AL 0284.4562.00	MOTOROLA	D45H11	0801.1666.01
V11	AF HLMP1503 LED GN RD3 LED	0252.5570.00	QUALITY	HLMP1503-(74)19(D)	0801.1666.01
V12	AG MBR1645 SGL 45V 12AO RECTIFIER	0355.0057.00	GEN_INSTRU	MBR1645	0801.1666.01
V50	AG B80C5000/3300 BRGL RECTIFIER	AG 0084.5109.00	TELEFUNKEN	B80C5000/3300SI	0801.1666.01
V51	AD 1N4448 75V UDI DIODE	AD 0012.0700.00	PHILIPS_SE	1N4448 "	0801.1666.01
V52	AK BCY59IX N 45V 200MA TRANSISTOR	AK 0010.5163.00	VALVO	BCY59IX	0801.1666.01
V53	AL MJD45H11 P 80V 8AO PNP TRANSISTOR	AL 0284.4562.00	MOTOROLA	D45H11	0801.1666.01
V54	AE BZX79B3V3 2% 0.5W ZDI ZENER	AE 0008.7704.00	PHILIPS_SE	BZX79B3V3	0801.1666.01
V100	AG B80C5000/3300 BRGL RECTIFIER	AG 0084.5109.00	TELEFUNKEN	B80C5000/3300SI	0801.1666.01
V104	AD 1N4448 75V UDI DIODE	AD 0012.0700.00	PHILIPS_SE	1N4448 "	0801.1666.01
V105	AK BCY59IX N 45V 200MA TRANSISTOR	AK 0010.5163.00	VALVO	BCY59IX	0801.1666.01
V106	AL MJD45H11 P 80V 8AO PNP TRANSISTOR	AL 0284.4562.00	MOTOROLA	D45H11	0801.1666.01
V150	AG B80C5000/3300 BRGL RECTIFIER	AG 0084.5109.00	TELEFUNKEN	B80C5000/3300SI	0801.1666.01
V151	AD 1N4448 75V UDI DIODE	AD 0012.0700.00	PHILIPS_SE	1N4448 "	0801.1666.01
V152	AK BCY79IX P 45V 200MA TRANSISTOR	AK 0010.3777.00	VALVO	BCY79IX	0801.1666.01
V153	AL MJD44H11 NPN 80V NPN TRANSISTOR	AL 0300.6318.00	MOTOROLA	D44H11	0801.1666.01
V154	AE 1N827 6,2V REF DI ZENER REFERENCE DIODE	AE 0418.0029.00	COMPENSATE	1N827(A)	0801.1666.01
V155	AG 1N4007 GL1000V 1AO RECTIFIER	AG 0013.0310.00	ITT-SEMICO	1N4007	0801.1666.01
X3	FP KURZSCHLUSSBUCHSE SHORTING PLUG	FP 0491.7042.00	IS	IPC-254-BL01	0801.1666.01
X4	FP EINLOETSTECKER 3POL. CONNECTOR 3POL.	0805.7630.00	AMP	350789-1	0801.1666.01
X6	FP KURZSCHLUSSBUCHSE SHORTING PLUG	FP 0491.7042.00	IS	IPC-254-BL01	0801.1666.01
X30	XX ENTHALTEN IN INCLUDED IN Z1"				
X50	FP EINLOETSTECKER 3POL. CONNECTOR 3POL.	0805.7630.00	AMP	350789-1	0801.1666.01
X52	FP KURZSCHLUSSBUCHSE SHORTING PLUG	FP 0491.7042.00	IS	IPC-254-BL01	0801.1666.01
X102	FP KURZSCHLUSSBUCHSE SHORTING PLUG	FP 0491.7042.00	IS	IPC-254-BL01	0801.1666.01

MEZ15	790 3PLU	Äi	Datum Date	Schaltteilliste für Parts list for	Sachnummer Stock No.	Blatt-Nr. Page
		40	03.05.99	ZJ NETZTEIL POWER SUPPLY	0801.1614.01 SA	5+

095.0026-0693

Kennz. Comp. No.	Benennung Designation	Sachnummer Stock No.	Hersteller Manufacturer	Bezeichnung Designation	enthalten in contained in
X103	FP STIFTLAISTE 36P.R2,54 PIN CONNECTOR 3-POLIG/3 PINS	FP 0242.3600.00	MPE	STL1-1180-14GGT8-036	0801.1666.01
X150	FP EINLOETSTECKER 3POL. CONNECTOR 3POL.	0805.7630.00	AMP	350789-1	0801.1666.01
X152	FP KURZSCHLUSSBUCHSE SHORTING PLUG	FP 0491.7042.00	IS	IPC-254-BL01	0801.1666.01
X31A	FP STIFTLAISTE 36P.R2,54 PIN CONNECTOR	FP 0242.3600.00	MPE	STL1-1180-14GGT8-036	0801.1666.01
X31B	FP STIFTLAISTE 36P.R2,54 PIN CONNECTOR 2X5-POLIG/PINS	FP 0242.3600.00	MPE	STL1-1180-14GGT8-036	0801.1666.01
X32A	FP STIFTLAISTE 36P.R2,54 PIN CONNECTOR 10-POLIG/PINS	FP 0242.3600.00	MPE	STL1-1180-14GGT8-036	0801.1666.01
X32B	FP STIFTLAISTE 36P.R2,54 PIN CONNECTOR 10-POLIG/PINS	FP 0242.3600.00	MPE	STL1-1180-14GGT8-036	0801.1666.01
X33A	FP STIFTLAISTE 36P.R2,54 PIN CONNECTOR 8-POLIG/PINS	FP 0242.3600.00	MPE	STL1-1180-14GGT8-036	0801.1666.01
X33B	FP STIFTLAISTE 36P.R2,54 PIN CONNECTOR 8-POLIG/PINS	FP 0242.3600.00	MPE	STL1-1180-14GGT8-036	0801.1666.01
Z1	FN NETZFILT.M.SPANNUNGSW. MAINS FILTER W.VOLT.SELEK	FN 0099.3313.00	KONFEKTRON HGN 369-2E		

wir uns alle Rechte vor.

MEZ15	790 3PLU	Äl	Datum Date	Schaltteilliste für Parts list for	Sachnummer Stock No.	Blatt-Nr. Page
 ROHDE & SCHWARZ	40	03.05.99	ZJ NETZTEIL POWER SUPPLY	0801.1614.01 SA	6-	

095.0026-0693



ROHDE & SCHWARZ

SERVICEUNTERLAGEN

Baugruppe "HF-Eichleitung"

801.1108.02

ENGLISH MANUAL FOLLOWS FIRST COLOURED DIVIDER

Inhaltsübersicht

	Seite
5	<u>Serviceanleitung Baugruppe "HF-Eichleitung"</u> 5.1
5.1	Funktionsbeschreibung 5.1
5.1.1	Eichleitung mit integriertem Überspannungsschutz 5.1
5.1.2	Ansteuerung der Eichleitung 5.2
5.2	Prüfen und Abgleichen 5.4
5.2.1	Prüfen der Dämpfungsglieder und der Ansteuer- druckschaltung 5.4
5.2.2	Prüfen und Abgleichen des Überspannungsschutzes . 5.4
5.3	Fehlersuche 5.5
5.3.1	Ansteuercode 5.5
5.3.2	Ansteuerpuls der Dämpfungsglieder 5.6
5.3.3	Ansteuerpuls des Überspannungsschutzes 5.7
5.4	Schnittstellen 5.8
	Schaltteillisten
	Stromläufe
	Bestückungspläne

5 Serviceanleitung Baugruppe "HF-Eichleitung"

Achtung! Baugruppe darf nicht geöffnet werden, da sonst der Garantieanspruch erlöscht und ein Neuabgleich durchgeführt werden muß.

5.1 Funktionsbeschreibung

(Hierzu Stromlauf 801.1108 S und Bild 5-1)

5.1.1 Eichleitung mit integriertem Überspannungsschutz

Die Eichleitung ist zwischen Ausgangsstufe und Geräteausgang geschaltet. Mit ihr kann das Signal um 135 dB in 5-dB-Schritten gedämpft werden. Kleinere Pegelsprünge werden mit der elektronischen Pegelregelung eingestellt. Die Eichleitung enthält sechs Dämpfungsglieder mit den Werten 5, 10, 2x20 und 2x40 dB, ein Überspannungsschutzsubstrat und einen 50- Ω -Abschlußwiderstand. Die Dämpfungsglieder können durch jeweils eine Kontaktgruppe, die aus drei Einzelkontakten besteht, eingeschaltet oder überbrückt werden. Jede dieser Kontaktgruppen wird von einer Wippe betätigt, die von einer Magnetspule angetrieben und durch einen Permanentmagneten in der Endlage gehalten wird.

Hinter den Dämpfungsgliedern sitzt auf der Eichleitungsgrundplatte in Richtung Geräteausgang (siehe Bild 5-1) das Überspannungsschutzsubstrat und anschließend der RF-OFF-Schalter. Der RF-OFF-Schalter wird im Überspannungsfall direkt geöffnet. Er kann aber auch vom Rechner über die Software angesteuert werden (siehe Bild 5-1). Wird der RF-OFF-Schalter betätigt so werden Dämpfungsglieder und Überspannungsschutz mit einem 50- Ω -Abschlußwiderstand abgeschlossen (siehe auch Abschnitt 5.1.2 "Ansteuerung der Diagnose"). Das integrierte Überspannungsschutzsubstrat schützt die Dämpfungsglieder und den Ausgangsverstärker vor hohen HF- und DC-Spannungen, die an die Ausgangsbuchse (X1) angelegt werden. Zudem kann mit dem Überspannungsschutzsubstrat eine Diagnose der Dämpfungsglieder mit den zugehörigen Kontaktgruppen durchgeführt werden. Diese Diagnosemöglichkeit kann vom Benutzer durch eine Spezialfunktion aufgerufen werden.

5.1.2 Ansteuerung der Eichleitung

Ansteuerung der Dämpfungsglieder

Die Dämpfungseinstellung der Eichleitung erfolgt durch serielle Datenübertragung (siehe Abschnitt 5.3.1). Die Ansteuerbits werden über die Datenleitungen (X77.B1 SER.DAT) mit dem Clock (X77.B2 SER.CLK) in das Schieberegister (D5) auf der Eichleitungsansteuer-Druckschaltung (801.1120) geschoben. Mit dem Strobe (X77.B3 EICH.STB) werden die Ausgänge des Schieberegisters gesetzt und die gewünschte Dämpfung eingestellt. Die Ansteuerung der Magnetspulen der Kontaktgruppen erfolgt über die Leistungsgatter D1 bis D4.

Ansteuerung des Überspannungsschutzes

Hohe an die Ausgangsbuchse angelegte HF- oder DC-Spannung wird durch Dioden auf dem Überspannungsschutzsubstrat, die als Spitzenwertgleichrichter arbeiten, erkannt. Die Komparatoren N10 a,b sprechen an und setzen das Flip-Flop D6, das über V8 und D4 direkt den RF-OFF-Schalter betätigt. Während der Ansprechzeit des RF-OFF-Schalters schließen die Pin-Dioden auf dem Überspannungsschutzsubstrat die Überspannung kurz. Durch die beiden Monoflops V33 und V34 wird den Pin-Dioden im Überlastfall (siehe Bild 5-2) ein hoher DC-Strom eingepreßt, und dadurch werden diese sehr niederohmig. Dem Rechner wird der Überlastfall über die Interruptleitung (X77.B4) mitgeteilt. Dieser Interrupt wird dann rückgesetzt, wenn der RF-OFF-Schalter zusätzlich vom Rechner über Software betätigt wird (siehe Bild 5-2). Der RF-OFF-Schalter kann von Hand über die Level/On-Tastenkombination wieder geschlossen werden.

Ansteuerung der Diagnose

Im Diagnosefall wird am Ausgang der Eichleitung der RF-OFF-Schalter geöffnet und damit der 50- Ω -Abschlußwiderstand eingeschaltet (siehe Bilder 5-1 und 5-2). Die Dioden auf dem Überspannungsschutzsubstrat werden über N20 als Spitzenwertgleichrichter betrieben. Der Prozessor kann die Gleichrichterspannung am Ausgang der Eichleitung über die Diagnoseleitung X77.B5 aufnehmen und der gemessenen Spannung eine bestimmte Dämpfung zuordnen. Damit können die Dämpfungsglieder mit den zugehörigen Kontaktgruppen überprüft werden.

Eichleitungsgrundplatte

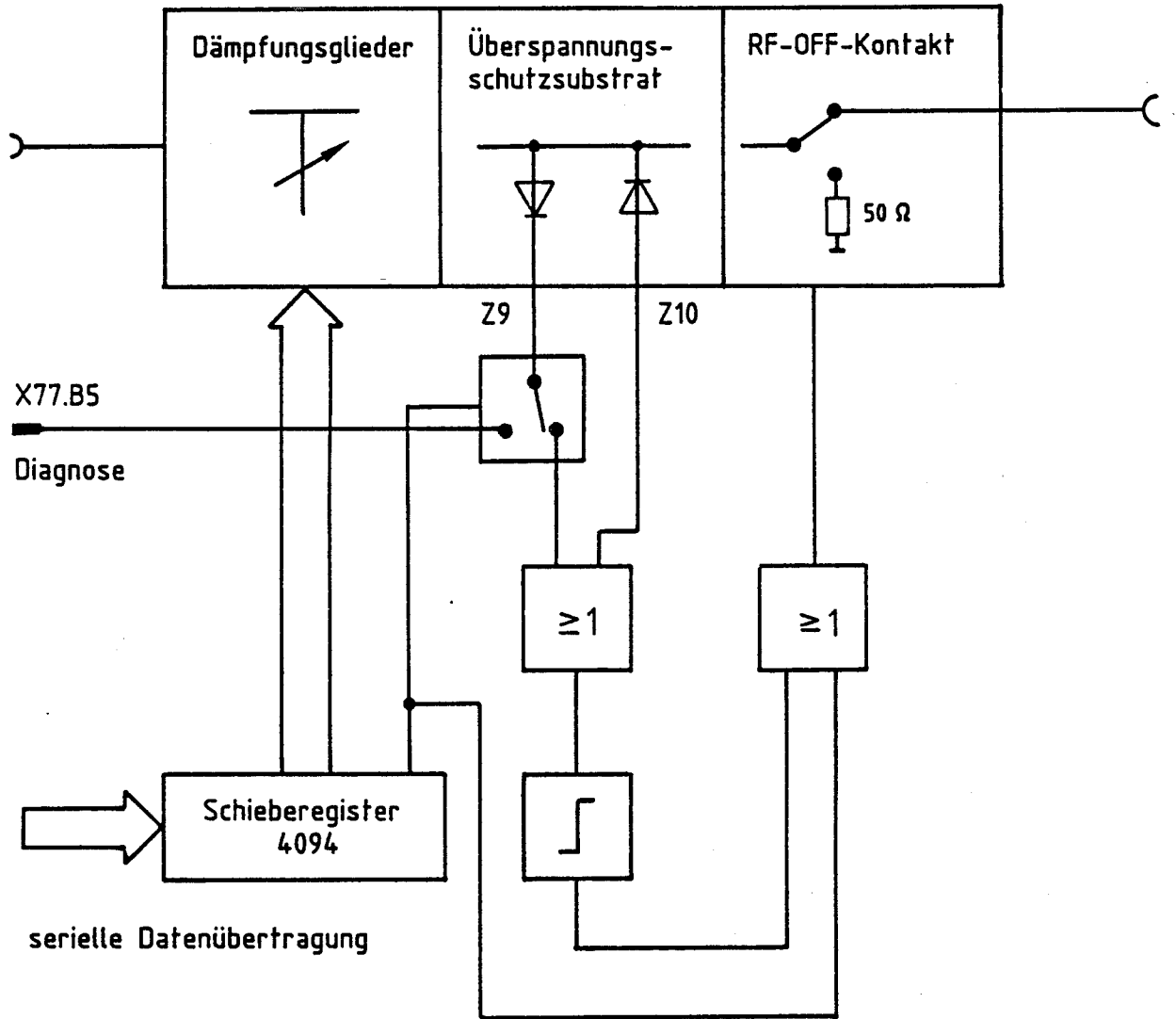


Bild 5-1 Blockschaltbild HF-Eichleitung

5.2 Prüfen und Abgleichen

5.2.1 Prüfen der Dämpfungsglieder und der Ansteuerdruckschaltung

Zum Prüfen der Dämpfungsglieder und der Ansteuerdruckschaltung siehe Kapitel 3 "Eichleitung" des Betriebshandbuchs.

5.2.2 Prüfen und Abgleichen des Überspannungsschutzes

Statische Prüfung des Überspannungsschutzsubstrates

- Stecker X41 von der Eichleitungsansteuer-Druckschaltung abziehen.
- Ausgangspegel von -122 dBm einstellen.
- Mit einem Ohmmeter (Meßbereich bis 2 M Ω) die Dioden auf dem Überspannungsschutzsubstrat in Fluß- und Sperrichtung prüfen. In Sperrichtung muß der Widerstand unendlich groß sein. Die Messung muß zwischen der Ausgangsbuchse (X1) und den Durchführungsfiltern Z9 bzw. Z10 gemacht werden.

Abgleich des Überspannungsschutzes bei Wechselspannung

- Ausgangsleistung von -122 dBm einstellen.
- In die Ausgangsbuchse (X1) ein Signal mit 27 dBm bei 25 MHz einspeisen (z.B. mit SMLU).
- Das Potentiometer R30 so einstellen, daß der RF-OFF-Schalter gerade anspricht.

Prüfen des Überspannungsschutzes bei Gleichspannung

- RF-OFF-Schalter von Hand über die Level/On-Tastenkombination wieder schließen.
- An die Ausgangsbuchse des Geräts ± 15 V über einen 50- Ω -Lastwiderstand anlegen. Der RF-OFF-Schalter muß bei positiver und bei negativer Spannung öffnen. (Overload-Anzeige im Display).

5.3 Fehlersuche

5.3.1 Ansteuercode

Läßt sich am Gerät ein gewünschter Ausgangspegel nicht einstellen, so kann am Schieberegisterausgang D5 der ordnungsgemäße Ansteuercode der einzelnen Dämpfungsglieder überprüft werden (siehe Bild 5-2).

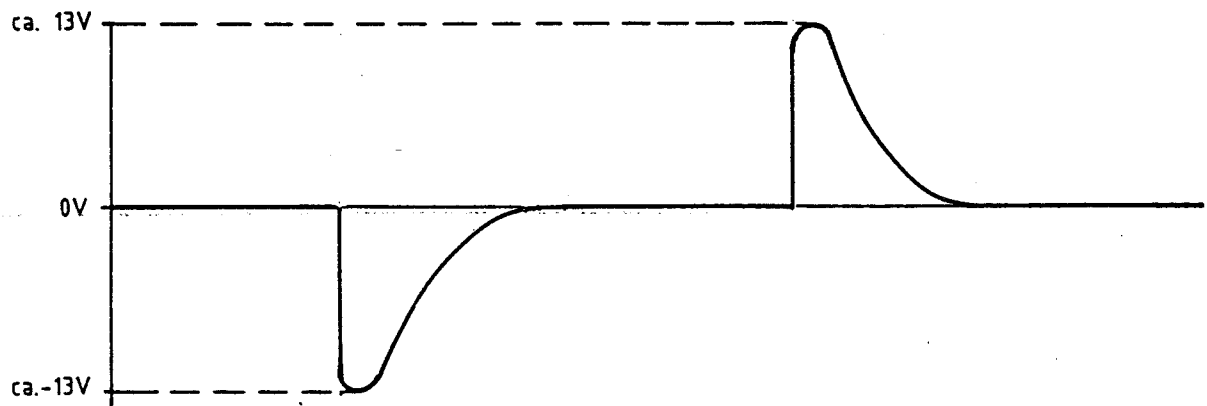
Pegeleinstellung	Ansteuercode am Schieberegister D5 (74HC 4094)						
	Pin 4 Q ₀	5 Q ₁	6 Q ₂	7 Q ₃	14 Q ₄	13 Q ₅	11, 9 Q ₇ Q ₈
13 dBm	1	1	1	1	1	1	0
8 dBm	1	1	0	1	1	1	0
3 dBm	1	1	1	1	0	1	0
-7 dBm	1	1	1	0	1	1	0
-27 dBm	1	1	1	1	1	0	0
-67 dBm	0	1	1	1	1	0	0
-107 dBm	0	0	1	0	1	0	0
-122 dBm	0	0	0	0	0	0	0

"1" ≅ 5 V; "0" ≅ 0 V

Bild 5-2 Rechneransteuerung der Eichleitung

5.3.2 Ansteuerpuls der Dämpfungsglieder

Entspricht der Puls an den Magnetspulen D1 bis D4 nicht der in Bild 5-3 gezeichneten Form, so liegt ein auftretender Dämpfungsfehler (siehe Abschnitt 5.2.1) an der Ansteuerdruckschaltung und nicht an den Dämpfungsgliedern mit den zugehörigen Kontaktgruppen.



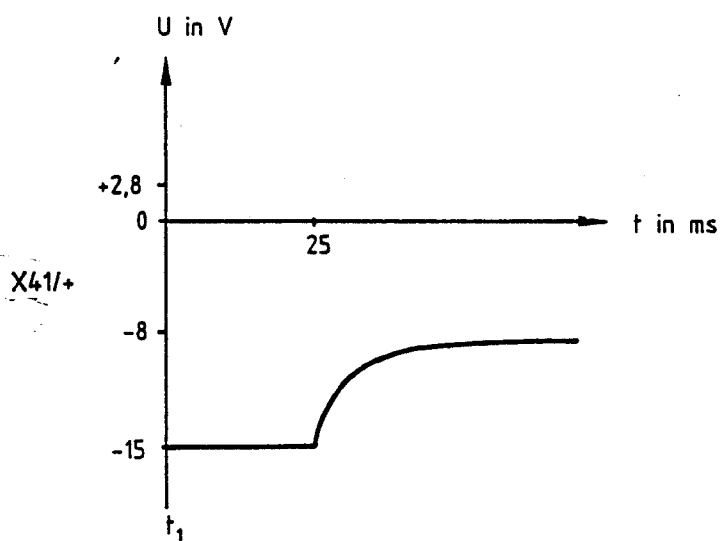
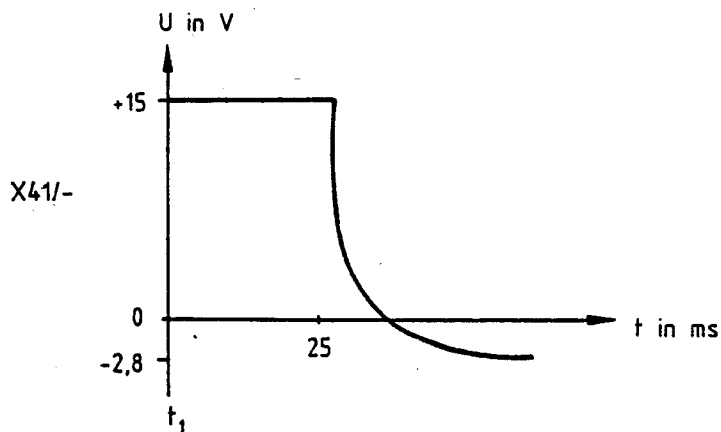
Ausschalten des
Dämpfungsglieds

Einschalten des
Dämpfungsglieds

Bild 5-3

5.3.3 Ansteuerpuls des Überspannungsschutzes

- Stecker X41 lösen und damit die Verbindung zwischen Eichleitungsansteuer-Druckschaltung und Durchführungsfiltern Z9 und Z10 auftrennen.
- Spezialfunktion 108 (Testpunkt "Eichleitung") einschalten. Dabei können am Stecker X41 die in Bild 5-4 gezeigten Kurvenformen nachgemessen werden.



t_1 = Einschaltzeitpunkt der Spezialfunktion

Bild 5-4

5.4 Schnittstellen

Analoge Schnittstellen

Bezeichnung	Funktion
X2	Anschluß der Ausgangsstufe
X1	Anschluß des Geräteausgangs
X77.B5	Diagnose

Digitale Schnittstellen

Bezeichnung	Funktion
X77.B1	serielle Daten
X77.B2	serieller Clock
X77.B3	Strobe-Eichleitung
X77.B4	Interrupt im Überspannungsfall



ROHDE & SCHWARZ

SERVICE DOCUMENTS

RF Attenuation Set Module

801.1108.02

Contents

	Page	
5	<u>Service Manual for RF Attenuation Set</u> 5.1	
5.1	Function Description	5.1
5.1.1	Attenuation Set with Integrated Overvoltage Protection	5.1
5.1.2	Control of Attenuation Set	5.2
5.2	Checking and Adjustments	5.4
5.2.1	Checking the Attenuators and the Control Circuit	5.4
5.2.2	Checking and Adjustment of the Overvoltage Protection	5.4
5.3	Troubleshooting	5.5
5.3.1	Control Code	5.5
5.3.2	Control Pulse of Attenuators	5.6
5.3.3	Control Pulse of Overvoltage Protection	5.7
5.4	Interfaces	5.8

Component lists
Circuit diagrams
Component layout diagrams

Caution! The module must not be opened; all guarantee claims are otherwise void and a readjustment must be carried out.

5.1 Function Description

(See circuit diagram 801.1108 S and Fig. 5-1)

5.1.1 Attenuation Set with Integrated Overvoltage Protection

The attenuation set is connected between the output stage and the instrument output. It can be used to attenuate the signal by 135 dB in steps of 5 dB. Smaller level intervals can be set using the electronic level control. The attenuation set contains six attenuators with the values 5, 10, 2x20 and 2x40 dB, an overvoltage protection unit and a 50- Ω terminator. The attenuators can each be switched on or bypassed by a group of three contacts. Each of these contact groups is activated by a rocker which is activated by a magnet coil and held in position by a permanent magnet.

The overvoltage protection unit and the RF-OFF switch are located on the basic board of the attenuation set between the attenuators and the instrument output (see Fig. 5-1). The RF-OFF switch is opened directly in the event of an overvoltage. It can also be activated by the controller via the software (see Fig. 5-1). The attenuators and the overvoltage protection unit are terminated by a 50- Ω resistor if the RF-OFF switch is activated (see also Section 5.1.2 "Diagnosis control"). The integrated overvoltage protection unit protects the attenuators and the output amplifier from high RF and DC voltages connected to the output connector (X1). The overvoltage protection unit can also be used for diagnosis of the attenuators with the associated contact groups. This diagnostic facility can be called using a special function.

5.1.2 Control of Attenuation Set

Attenuator control

The attenuation is set via serial data transmission (see Section 5.3.1). The trigger bits are shifted via the data lines (X77.B1 SER.DAT) by the clock (X77.B2 SER.CLK) into the shift register (D5) on the attenuation set trigger board (801.1120). The shift register outputs are set using the strobe (X77.B3 EICH.STB) and the required attenuation set. The magnet coils of the contact groups are triggered via the power gates D1 to D4.

Overvoltage protection control

High RF or DC voltages applied to the output connector are detected by diodes on the overvoltage protection unit which operate as peak-value rectifiers. The comparators N10 a,b respond and set the flip-flop D6 which directly activates the RF-OFF switch via V8 and D4. The pin diodes on the overvoltage protection unit short-circuit the overvoltage during the response time of the RF-OFF switch. A high DC current is impressed on the pin diodes by the two monoflops V33 and V34 in the event of an overload (see Fig. 5-2) and these become low-resistance. The controller is informed of the overload via the interrupt line (X77.B4). This interrupt is reset if the RF-OFF switch is additionally activated by the controller via the software (see Fig. 5-2). The RF-OFF switch can again be closed manually using the level/on key combination.

Diagnosis control

In the event of diagnosis the RF-OFF switch is opened at the output of the attenuation set and the 50- Ω terminator thus connected (see Figs 5-1 and 5-2). The diodes on the overvoltage protection unit are driven via N20 as peak-value rectifiers. The processor can accept the rectified voltage at the output of the attenuation set via the diagnosis line X77.B5 and assign a specific attenuation to the measured voltage. The attenuators with the associated contact groups can then be tested.

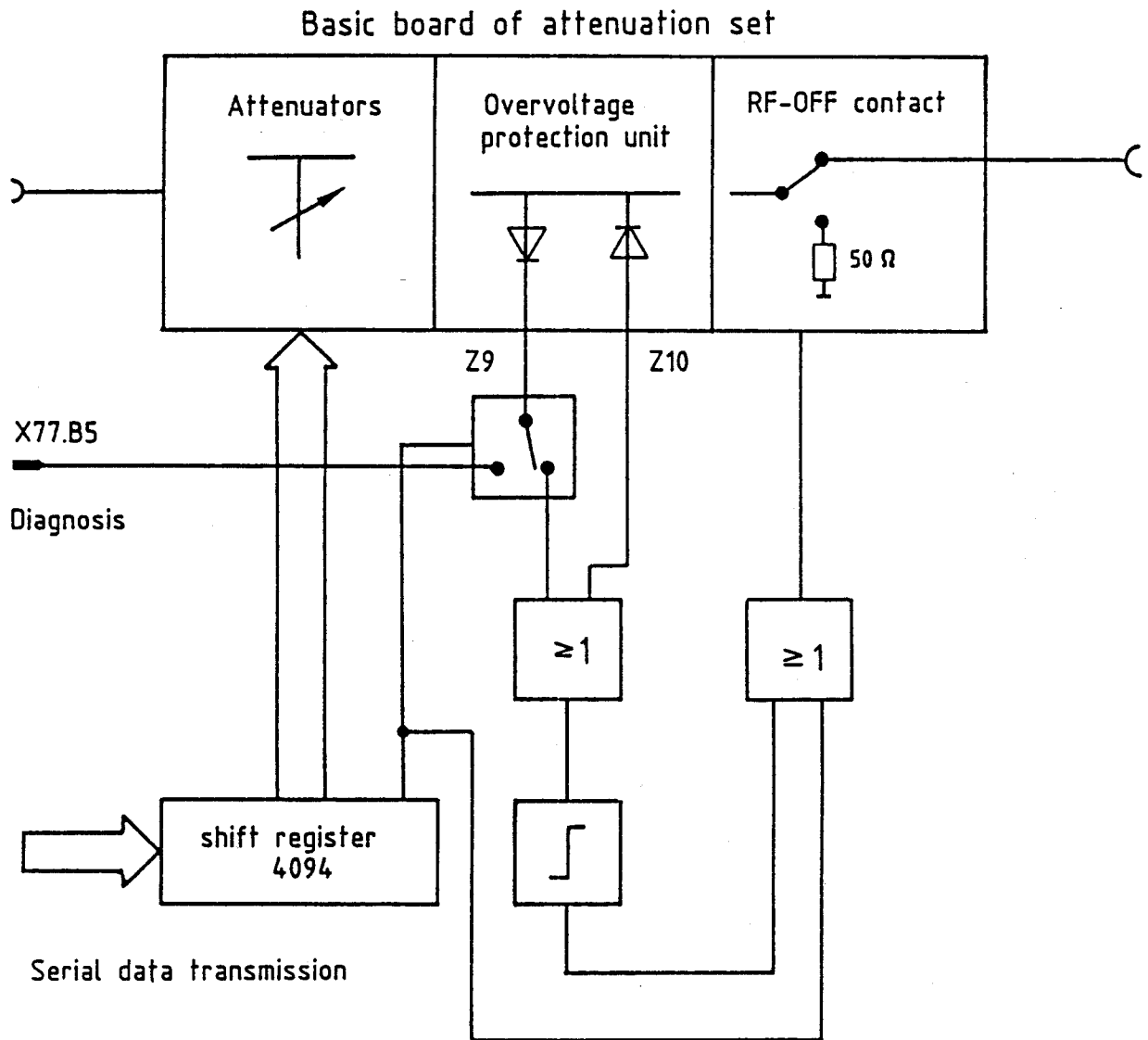


Fig. 5-1 Block diagram of RF attenuation set

5.2 Checking and Adjustments

5.2.1 Checking the Attenuators and the Control Circuit

See Section 3 "Attenuation set" in the manual in order to test the attenuators and control circuit.

5.2.2 Checking and Adjustment of the Overvoltage Protection

Static test of the overvoltage protection unit

- Remove plug X41 from the attenuation set control circuit.
- Set an output level of -122 dBm.
- Check the diodes on the overvoltage protection unit in the forward and backward directions using an ohmmeter (measuring range up to 2 M Ω). The resistance must be infinite in the backward direction. Make the measurement between the output connector (X1) and the lead-through filter Z9 or Z10.

Adjustment of overvoltage protection with AC voltage

- Set output power to -122 dBm.
- Apply a signal of 27 dBm at 25 MHz to the output connector (X1) (e.g. using an SMLU).
- Adjust potentiometer R30 such that the RF-OFF switch just responds.

Checking the overvoltage protection with DC voltage

- Switch off the RF-OFF switch again manually using the level/on key combination.
- Apply ± 15 V via a 50- Ω load resistor to the output connector of the instrument. The RF-OFF switch must open both with positive and negative voltages. (Overload indication is displayed).

5.3 Troubleshooting

5.3.1 Control Code

If the required output level cannot be set on the instrument, the control code of the individual attenuators can be tested at the shift register output D5 (see Fig. 5-2).

Level setting	Control code at shift register D5 (74HC 4094)						
	Pin 4 Q ₀	5 Q ₁	6 Q ₂	7 Q ₃	14 Q ₄	13 Q ₅	11, 9 Q ₇ Q ₈
13 dBm	1	1	1	1	1	1	0
8 dBm	1	1	0	1	1	1	0
3 dBm	1	1	1	1	0	1	0
-7 dBm	1	1	1	0	1	1	0
-27 dBm	1	1	1	1	1	0	0
-67 dBm	0	1	1	1	1	0	0
-107 dBm	0	0	1	0	1	0	0
-122 dBm	0	0	0	0	0	0	0

1 ≅ 5 V; 0 ≅ 0 V

Fig. 5-2 Setting of attenuation set by controller

5.3.2 Control Pulse of Attenuators

If the pulse at the magnet coils D1 to D4 does not correspond to the waveform shown in Fig. 5-3, an attenuation error (see Section 5.2.1) is caused by the trigger circuit and not by the attenuators with the associated contact groups.

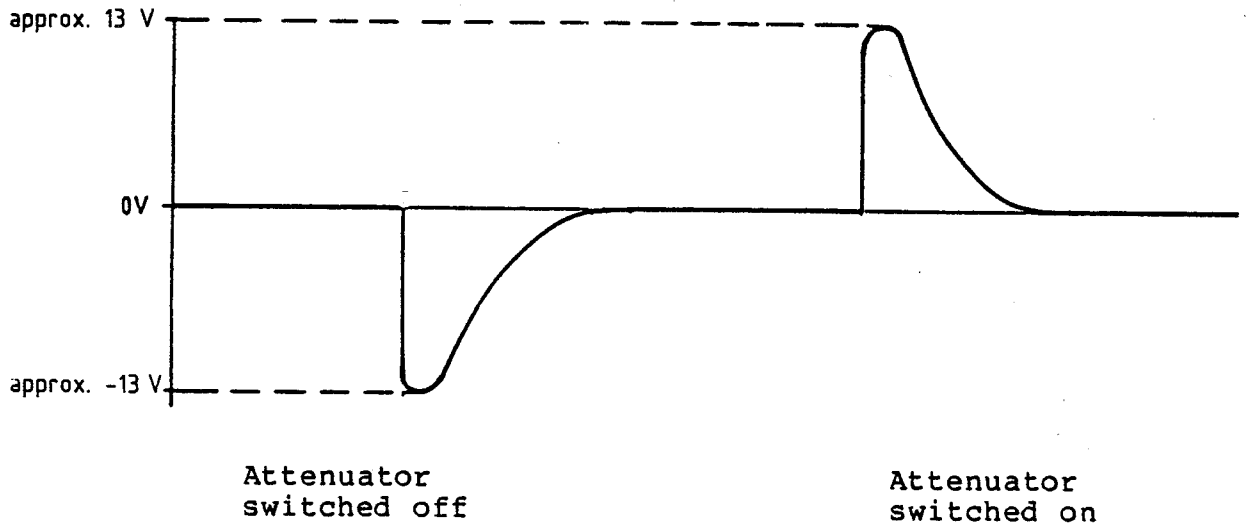
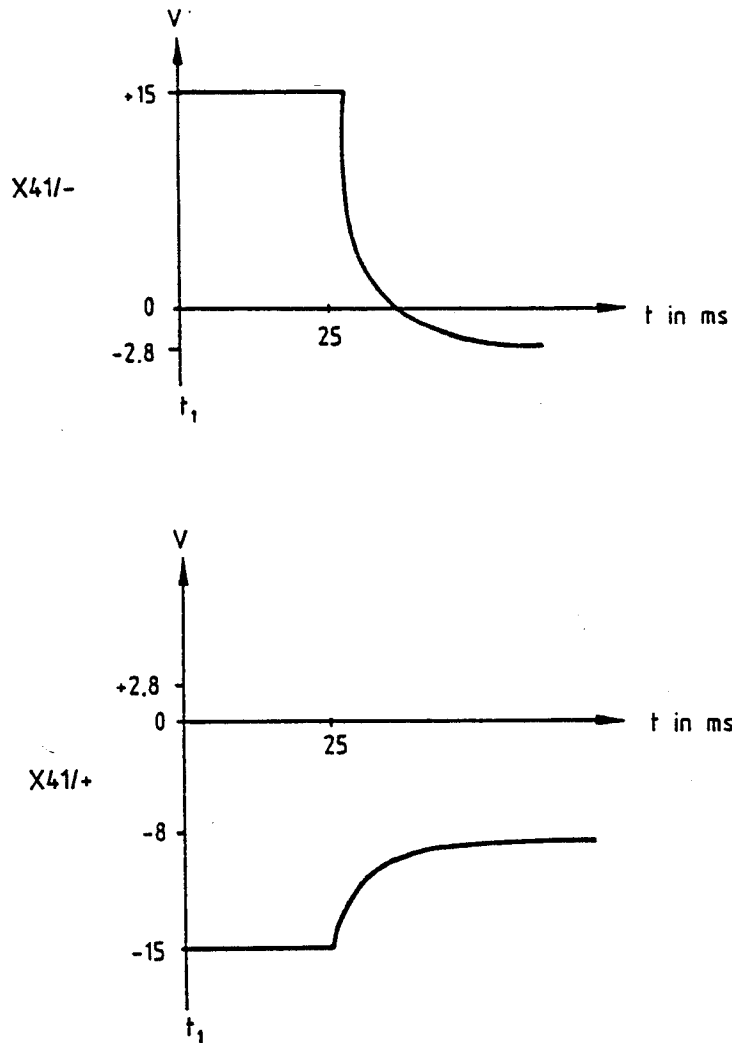


Fig. 5-3

5.3.3 Control Pulse of Overvoltage Protection

- Remove plug X41 and thus isolate the connection between the attenuation set control circuit and the lead-through filters Z9 and Z10.
- Switch on special function 108 (Test point attenuation set). The waveforms shown in Fig. 5-4 can then be measured at plug X41.



t_1 = Special function switched on

Fig. 5-4

5.4 Interfaces

Analog interfaces

Designation	Function
X2	Connection of output stage
X1	Connection of instrument output
X77.B5	Diagnosis


Digital interfaces

Designation	Function
X77.B1	Serial data
X77.B2	Serial clock
X77.B3	Strobe attenuation set
X77.B4	Interrupt in event of overvoltage

Schalteillisten
Stromläufe
Bestückungspläne
Part lists
Circuit diagrams
Components plans
Listes des pièces détachées
Schémas de Circuit
Plans des composants

Für diese Unterlage behalten wir uns alle Rechte vor.


Kennz. Comp. No.	Benennung Designation	Sachnummer Stock No.	Hersteller Manufacturer	Bezeichnung Designation	enthalten in contained in
	XX VARIANTENERKLAERUNG IDENTIFICATION OF MODELS VAR 02 = GRUNDAUSFUEHRUNG MOD 02 = BASIC MODEL ERSETZT/REPLACE VAR 00/MOD 00 VAR 04 = SMY12/44/45+B40 MOD 04 = SMY12/44/45+B40				
A90	ED ANSTEUERUNG EICHLITG. ATTENUATOR CONTROL NUR VAR/ONLY MOD: 02 ZUEH.STROML./CIRC.DIAGR. 801.1108 S	0801.1120.02			
A90	ED ANSTEUERUNG EICHLITG. NUR VAR/ONLY MOD: 04 ZUEH.STROML./CIRC.DIAGR. 801.1108S GS UNGEPRUEFT.AK "C"	0801.1120.04			
C1	CE 220UF+-20%35V RM5 ELECTROLYTIC CAPACITOR	CE 0008.7904.00	PANASONIC	ECA 1 VFG 221 B	0801.1120.01
C8	CE 100UF+-20%35V RM5 ELECTROLYTIC CAPACITOR	0008.7510.00	PHILIPS_CO	2222 116 90042	0801.1120.01
C9	CE 47UF+-20%63V RM5 ELECTROLYTIC CAPACITOR	0008.7440.00	PHILIPS_CO	2222 116 90112	0801.1120.01
C10	CK 100NF+-5%63VRD2,5H7MKT CAPACITOR	CK 0099.2930.00	SIEMENS	B 32 529-C104-J	0801.1120.01
C11	CE 1,5UF+-20%25V 5X 4X 7 ELECTROLYTIC CAPACITOR	CE 0087.9334.00	KEMET	T340 A155M025 AS	0801.1120.01
C15	CC 10NF-20+50%7X8R4000 CAPACITOR	CC 0087.7525.00	VALVO	2222 640 51103	0801.1120.01
C17	CC 10NF-20+50%7X8R4000 CAPACITOR	CC 0087.7525.00	VALVO	2222 640 51103	0801.1120.01
C18	CK 100NF+-5%63VRD2,5H7MKT CAPACITOR	CK 0099.2930.00	SIEMENS	B 32 529-C104-J	0801.1120.01
C19	CC 3,3NF+-10%6X7R2000 CAPACITOR	CC 0087.7083.00	PHILIPS_CO	2222 630 5(1)1332	0801.1120.01
C20	CK 33NF+-5%63V RD2,5H7MKT CAPACITOR NUR VAR/ONLY MOD: 02	CK 0099.2900.00	SIEMENS	B 32 529-A333-J	0801.1120.01
C20	CK 3,3NF +-1% 63V RM5 KP POLYPROPYLENE CAPACITOR NUR VAR/ONLY MOD: 04	CK 0007.7623.00	ROEDERSTEI	KP1830-233 06 1 3 W	0801.1120.01
C30	CE 47UF+-20%63V RM5 ELECTROLYTIC CAPACITOR	0008.7440.00	PHILIPS_CO	2222 116 90112	0801.1120.01
C31	CE 47UF+-20%63V RM5 ELECTROLYTIC CAPACITOR	0008.7440.00	PHILIPS_CO	2222 116 90112	0801.1120.01
C35	CC 680NF+-10% 50V8K1200VI CAPACITOR	0082.7785.00	UNION_CARB	CKR 06 BX 684K	0801.1120.01
C36	CC 680NF+-10% 50V8K1200VI CAPACITOR	0082.7785.00	UNION_CARB	CKR 06 BX 684K	0801.1120.01
D1	BJ SN75361AP 2XTTL/MOS-LC LEVEL CONVERTER	0294.8490.00	NSC	DS75361N	0801.1120.01
D2	BJ SN75361AP 2XTTL/MOS-LC LEVEL CONVERTER	0294.8490.00	NSC	DS75361N	0801.1120.01
D5	BL PC74HC4094P 8ST.SH.REG 8-STAGE SHIFT&STORE REG.	0099.9711.00	PHILIPS_SE	(PC)74HC4094N(P)	0801.1120.01
D6	BL CD4013BE 2XD- FLIPFL FLIPFLOP	0086.7021.00	RCA	CD4013BE	0801.1120.01
K1	LD ELEKTROMAGNET (EICHL.) ELECTROMAGNET	0294.8425.00			0294.8925.00
K9	LD ELEKTROMAGNET (EICHL.) ELECTROMAGNET	0294.8425.00			0294.8925.00
N10	BO LF412CN 2XFET OPAMP OPERATIONAL AMPLIFIER	0356.0521.00	NSC	LF412CN	0801.1120.01
N20	BS TL604CP 2X ANALGSCH ANALOG SWITCH	BJ 0300.6199.00	TEXAS	TL604CP	0801.1120.01
R5	RL 0,60W 1KOHM+-1%TK50 RESISTOR	RL 0082.2160.00	PHILIPS_CO	MRS 25	0801.1120.01
R6	RL 0,60W 1KOHM+-1%TK50 RESISTOR	RL 0082.2160.00	PHILIPS_CO	MRS 25	0801.1120.01
R7	RL 0,40W 1,00KOHM+-1%TK50 RESISTOR	RL 0092.1444.00	ROEDERSTEI	MK1	0801.1120.01

MEZ15	790 3PLU	Äi	Datum Date	Schaltteilliste für Parts list for	Sachnummer Stock No.	Blatt-Nr. Page
	ROHDE & SCHWARZ	13	03.05.99	ZE EICHL.(SMG)	0801.1108.01 SA	1+

095.0026-0693

Für diese Unterlage behalten wir uns alle Rechte vor.


Kennz. Comp. No.	Benennung Designation	Sachnummer Stock No.	Hersteller Manufacturer	Bezeichnung Designation	enthalten in contained in
R8	RL 0,60W 12,1KOHM+-1%TK50 RESISTOR	RL 0083.1351.00	PHILIPS_CO	MRS 25	0801.1120.01
R9	RL 0,60W 4,75KOHM+-1%TK50 RESISTOR	RL 0083.1097.00	PHILIPS_CO	MRS 25	0801.1120.01
R10	RL 0,60W 10,0KOHM+-1%TK50 RESISTOR	RL 0083.1297.00	PHILIPS_CO	MRS 25	0801.1120.01
R11	RL 0,60W 24,3KOHM+-1%TK50 RESISTOR	RL 0083.1574.00	RESISTA	MK2	0801.1120.01
R11	NUR VAR/ONLY MOD: 02 RL 0,60W 66,5KOHM+-1%TK50 RESISTOR	RL 0083.1874.00	RESISTA	MK2	0801.1120.01
R12	NUR VAR/ONLY MOD: 04 RL 0,60W 4,75KOHM+-1%TK50 RESISTOR	RL 0083.1097.00	PHILIPS_CO	MRS 25	0801.1120.01
R13	RL 0,60W 11,5KOHM+-1%TK50 RESISTOR	RL 0083.1339.00	RESISTA	MK2	0801.1120.01
R14	RL 0,60W 100KOHM+-1%TK50 RESISTOR	RL 0082.1764.00	RESISTA	MK2	0801.1120.01
R16	RL 0,60W 6,81KOHM+-1%TK50 RESISTOR	RL 0082.2560.00	RESISTA	MK2	0801.1120.01
R16	NUR VAR/ONLY MOD: 02 RL 0,60W 20,0KOHM+-1%TK50 RESISTOR	RL 0083.1522.00	RESISTA	MK2	0801.1120.01
R17	NUR VAR/ONLY MOD: 04 RL 0,60W 24,3KOHM+-1%TK50 RESISTOR	RL 0083.1574.00	RESISTA	MK2	0801.1120.01
R17	NUR VAR/ONLY MOD: 02 RL 0,60W 66,5KOHM+-1%TK50 RESISTOR	RL 0083.1874.00	RESISTA	MK2	0801.1120.01
R18	NUR VAR/ONLY MOD: 04 RL 0,60W 11,5KOHM+-1%TK50 RESISTOR	RL 0083.1339.00	RESISTA	MK2	0801.1120.01
R19	RL 0,60W 100KOHM+-1%TK50 RESISTOR	RL 0082.1764.00	RESISTA	MK2	0801.1120.01
R20	RL 0,60W 681 KOHM+-1%TK50 RESISTOR	RL 0083.2735.00	PHILIPS_CO	MRS 25	0801.1120.01
R21	RL 0,60W 332 KOHM+-1%TK50 RESISTOR	RL 0083.2441.00	RESISTA	MK2	0801.1120.01
R22	RL 0,40W 10,0KOHM+-1%TK50 RESISTOR	RL 0092.1567.00	DRALORIC	SMAO204	0801.1120.01
R25	RL 0,40W 10,0KOHM+-1%TK50 RESISTOR	RL 0092.1567.00	DRALORIC	SMAO204	0801.1120.01
R26	RL 0,60W 1KOHM+-1%TK50 RESISTOR	RL 0082.2160.00	PHILIPS_CO	MRS 25	0801.1120.01
R26	NUR VAR/ONLY MOD: 02 RL 0-OHM-WIDERST. 0204 O-OHM RESISTOR	RL 0069.0000.00	DRALORIC	OMA 0204	0801.1120.01
R30	NUR VAR/ONLY MOD: 04 RS 0,5W10KOHM+-10%10X10X5 CERMET POTENTIOMETER T	RS 0247.7903.00	BI_TECHNOL	72PM	0801.1120.01
R30	NUR VAR/ONLY MOD: 02 RS 0,5W1KOHM+-10%10X10X5 CERMET POTENTIOMETER T	RS 0087.7560.00	BI_TECHNOL	72PM	0801.1120.01
R31	NUR VAR/ONLY MOD: 04 RL 0,60W 332 OHM+-1%TK50 RESISTOR	RL 0083.0255.00	RESISTA	MK2	0801.1120.01
R32	RL 0,60W 332 OHM+-1%TK50 RESISTOR	RL 0083.0255.00	RESISTA	MK2	0801.1120.01
R33	RL 0,60W 82,5KOHM+-1%TK50 RESISTOR	RL 0082.2302.00	PHILIPS_CO	MRS 25	0801.1120.01
R34	RL 0,60W 82,5KOHM+-1%TK50 RESISTOR	RL 0082.2302.00	PHILIPS_CO	MRS 25	0801.1120.01
R35	RL 0,40W 20,0KOHM+-1%TK50 RESISTOR	0092.0402.00	RESISTA	MK1	0801.1120.01
R36	RL 0,60W 22,1KOHM+-1%TK50 RESISTOR	RL 0083.1545.00	RESISTA	MK2	0801.1120.01
V6	AD 1N4448 75V UDI DIODE	AD 0012.0700.00	PHILIPS_SE	1N4448 "	0801.1120.01
V7	AK BCY79IX P 45V 200MA TRANSISTOR	AK 0010.3777.00	VALVO	BCY79IX	0801.1120.01
V8	AK BC173C N 25V 100MA TRANSISTOR	0010.4444.00	ITT-SEMICO	BC549C	0801.1120.01
V10	AD 1N4448 75V UDI DIODE	AD 0012.0700.00	PHILIPS_SE	1N4448 "	0801.1120.01
V12	AD 1N4448 75V UDI DIODE	AD 0012.0700.00	PHILIPS_SE	1N4448 "	0801.1120.01

MEZ15	790 3PLU	ÄI	Datum Date	Schaltteilliste für Parts list for	Sachnummer Stock No.	Blatt-Nr. Page
		13	03.05.99	ZE EICHL. (SMG)	0801.1108.01 SA	2+

095.0026-0693

Für diese Unterlage behalten wir uns alle Rechte vor.

Kennz. Comp. No.	Benennung Designation	Sachnummer Stock No.	Hersteller Manufacturer	Bezeichnung Designation	enthalten in contained in
V20	AE BZX55/B8V2 0,5W ZDI ZENER DIODE	AE 0012.2178.00	VALVO	BZX79B8V2	0801.1120.01
V21	AD 1N4448 75V UDI DIODE	AD 0012.0700.00	PHILIPS_SE	1N4448 "	0801.1120.01
V22	AD 1N4448 75V UDI DIODE	AD 0012.0700.00	PHILIPS_SE	1N4448 "	0801.1120.01
V23	AE BZX85/C8V2 1,3W ZDI ZENER DIODE	AE 0092.8526.00	THOMSON	BZX85C8V2	0801.1120.01
V24	AE BAV45 35V PICOAMPDI LOW LEAKAGE DIODE	AE 0252.5386.00	VALVO	BAV45	0801.1120.01
V25	AE BZX55/B8V2 0,5W ZDI ZENER DIODE	AE 0012.2178.00	VALVO	BZX79B8V2	0801.1120.01
V26	AE BZX85/C8V2 1,3W ZDI ZENER DIODE	AE 0092.8526.00	THOMSON	BZX85C8V2	0801.1120.01
V27	AD 1N4448 75V UDI DIODE	AD 0012.0700.00	PHILIPS_SE	1N4448 "	0801.1120.01
V28	AD 1N4448 75V UDI DIODE	AD 0012.0700.00	PHILIPS_SE	1N4448 "	0801.1120.01
V30	NUR VAR/ONLY MOD: 02 AD 1N4448 75V UDI DIODE	AD 0012.0700.00	PHILIPS_SE	1N4448 "	0801.1120.01
V31	NUR VAR/ONLY MOD: 04 AD 1N4448 75V UDI DIODE	AD 0012.0700.00	PHILIPS_SE	1N4448 "	0801.1120.01
V32	AD 1N4448 75V UDI DIODE	AD 0012.0700.00	PHILIPS_SE	1N4448 "	0801.1120.01
V33	AK BC337-40 N 45V 800MA TRANSISTOR	0303.9524.00	ITT	BC337-40	0801.1120.01
V34	AK BC327-40 P 45V 800MA TRANSISTOR	0303.9518.00	PHILIPS_SE	BC327-40	0801.1120.01
W12	DX KABEL W12 CABLE W12	0801.7629.00			
X1	FJ EINBAUBUCHSE SYST.SMA SOCKET	FJ 0294.8154.00	ROSENBERGE	32K-111-500-D3	0294.8725.00
X2	FJ EINBAUBUCHSE SYST.SMA SOCKET	FJ 0294.8154.00	ROSENBERGE	32K-111-500-D3	0294.8725.00
X41	FP STIFTL.WIN 36P.R2,54 ANGLE PIN CONNECTOR 3-POLIG/3 PINS	FP 0243.3578.00	BERG_ELEKT	75168-113-36	0801.1120.01
X77A	FP STIFTL.EISTE 36P.R2,54 PIN CONNECTOR 8-POLIG/8 PINS	FP 0242.3600.00	MPE	STL1-1180-14GGT8-036	0801.1120.01
X77B	FP STIFTL.EISTE 36P.R2,54 PIN CONNECTOR 8-POLIG/8 PINS	FP 0242.3600.00	MPE	STL1-1180-14GGT8-036	0801.1120.01
Z1	DT DAEMPF.-GLIED(40DB) ATTENUATOR 40DB/50	0912.5269.00			0294.8725.00
Z2	DT DAEMPF.-GLIED(20DB) ATTENUATOR 20DB/50	0912.5252.00			0294.8725.00
Z3	DT DAEMPF.-GLIED(5DB) ATTENUATION 5DB/50	0912.5281.00			0294.8725.00
Z4	DT DAEMPF.-GLIED(20DB) ATTENUATOR 20DB/50	0912.5252.00			0294.8725.00
Z5	DT DAEMPF.-GLIED(10DB) ATTENUATOR 10DB/50	0912.5246.00			0294.8725.00
Z6	DT DAEMPF.-GLIED(40DB) ATTENUATOR 40DB/50	0912.5269.00			0294.8725.00
Z7	DT ANSCHLUSSLEITUNG CONNECTION LINE	0915.0800.00			0294.8725.00
Z8	BD UEBERSP.-SCHUTZ(SMG) OVERVOLTAGE PROTECTION	0800.9570.00			0294.8725.00
Z9	LD PI-FILTER FILTER	1008.5850.00			0294.8725.00
Z10	LD PI-FILTER FILTER	1008.5850.00			0294.8725.00

MEZ15	790 3PLU	Äi	Datum Date	Schaltteilliste für Parts list for	Sachnummer Stock No.	Blatt-Nr. Page
	ROHDE & SCHWARZ	13	03.05.99	ZE EICHL. (SMG)	0801.1108.01 SA	3-

095.0026-0693



ROHDE & SCHWARZ

SERVICEUNTERLAGEN

Frequenzerweiterung 2 GHz

843.3273.02

ENGLISH MANUAL FOLLOWS FIRST COLOURED DIVIDER

Inhaltsübersicht

		Seite
5	Serviceanleitung "Frequenzerweiterung"	5.1
5.1	Funktionsbeschreibung	5.1
5.1.1	Filtermodul	5.1
5.1.2	Ausgangsverstärker	5.1
5.1.3	Steuerplatte	5.1
5.2	Prüfen und Abgleich	5.3
5.2.1	Pegelabgleich	5.3
5.2.2	Prüfung der Steuerplatte	5.3
5.2.3	Prüfung des Filtermoduls	5.3
5.2.4	Prüfung des Ausgangsverstärkers	5.4
5.2.4.1	Prüfen des Frequenzgangs	5.4
5.2.4.2	Prüfen des Oberwellenabstands	5.5
5.2.4.3	Prüfen der Gleichrichterlinearität	5.5
5.2.4.4	Prüfen des Gleichrichtfrequenzgangs	5.5
5.3	Fehlersuche	5.6
5.3.1	Steuerplatte	5.6
5.3.2	Filtermodul	5.7
5.3.3	Ausgangsverstärker	5.7
5.3.4	HF-Pegel bei offener AM-Regelschleife	5.7

5 Serviceanleitung "Frequenzerweiterung"

5.1 Funktionsbeschreibung

(Hierzu Stromläufe 843.3309 S (Steuerplatte), 843.3450 S (Ausgangsverstärker), 843.3550 S (Filtermodul) und Blockschaltbild 5-1).

Die von der Baugruppe "Ausgangsstufe" gelieferten HF-Signale werden im Frequenzbereich $0.1 \text{ MHz} \leq f < 1000 \text{ MHz}$ direkt und im Frequenzbereich $1000 \text{ MHz} \leq f \leq 2000 \text{ MHz}$ über das Filtermodul auf den Eingangsumschalter des Ausgangsverstärkers geschaltet. Anschließend wird das HF-Signal um 14 dB verstärkt.

Zur Pegelregelung und Amplitudenmodulation wird das Ausgangssignal detektiert und die Regelspannung herausgeführt. Die dazu erforderlichen Schaltsignale werden auf der Baugruppe "Steuerplatte" aus der seriellen Schnittstelle zum μP decodiert und gespeichert.

5.1.1 Filtermodul

Die Baugruppe enthält drei elektronisch schaltbare Bandpässe zur Unterdrückung der im Verdopplerspektrum enthaltenen Subharmonischen und höheren Harmonischen. Die Bandpässe und die vor- und nachgeschalteten Pindiodenschalter sind in Dünnschichttechnik auf Keramiksubstraten realisiert.

5.1.2 Ausgangsverstärker

Der Ausgangsverstärker enthält 6 Dünnschichtmodule A242 bis A246, A249 und die gedruckte Schaltung A248.

Die Eingänge X240 und X241 werden über den Pinumschalter A242 auf die Vorstufe A243 geschaltet. In der Treiberstufe A244 und der Endstufe A245 wird das Eingangssignal weiter verstärkt und gelangt zum Detektormodul A246. Dort wird das HF-Signal mit V502 gleichgerichtet. An der Ausgangsbuchse X242 steht die HF-Spannung mit einem Innenwiderstand von 50 Ohm zur Verfügung. Die Pindiode V500 schützt Endstufe und Detektor vor positiven Spannungsspitzen, die vom HF-Ausgang X242 in den Verstärker gelangen.

Die gedruckte Schaltung "AP-Regelung" enthält 3 Stromquellen V5, V15, V25 zur Einprägung des Kollektorstromes der HF-Transistoren in Vor-, Treiber- und Endstufe sowie 3 Regelungen V1, V10, V20 für die jeweiligen Kollektorspannungen.

Die vom Detektormodul gelieferte Gleichrichterspannung wird über N41 auf den Ausgang X243 geschaltet.

Das Dünnschichtmodul A249 enthält 2 Dioden zur Temperaturkompensation und Linearisierung der Gleichrichterspannung.

5.1.3 Steuerplatte

Die Steuerplatte enthält das μP -Interface. Die seriell ankommenden Daten werden im Baustein D10 gespeichert. Die HCMOS-Pegel werden mit N30 und N90 sowie mit den nachgeschalteten Buffertransistoren auf die erforderlichen Pegel umgesetzt.

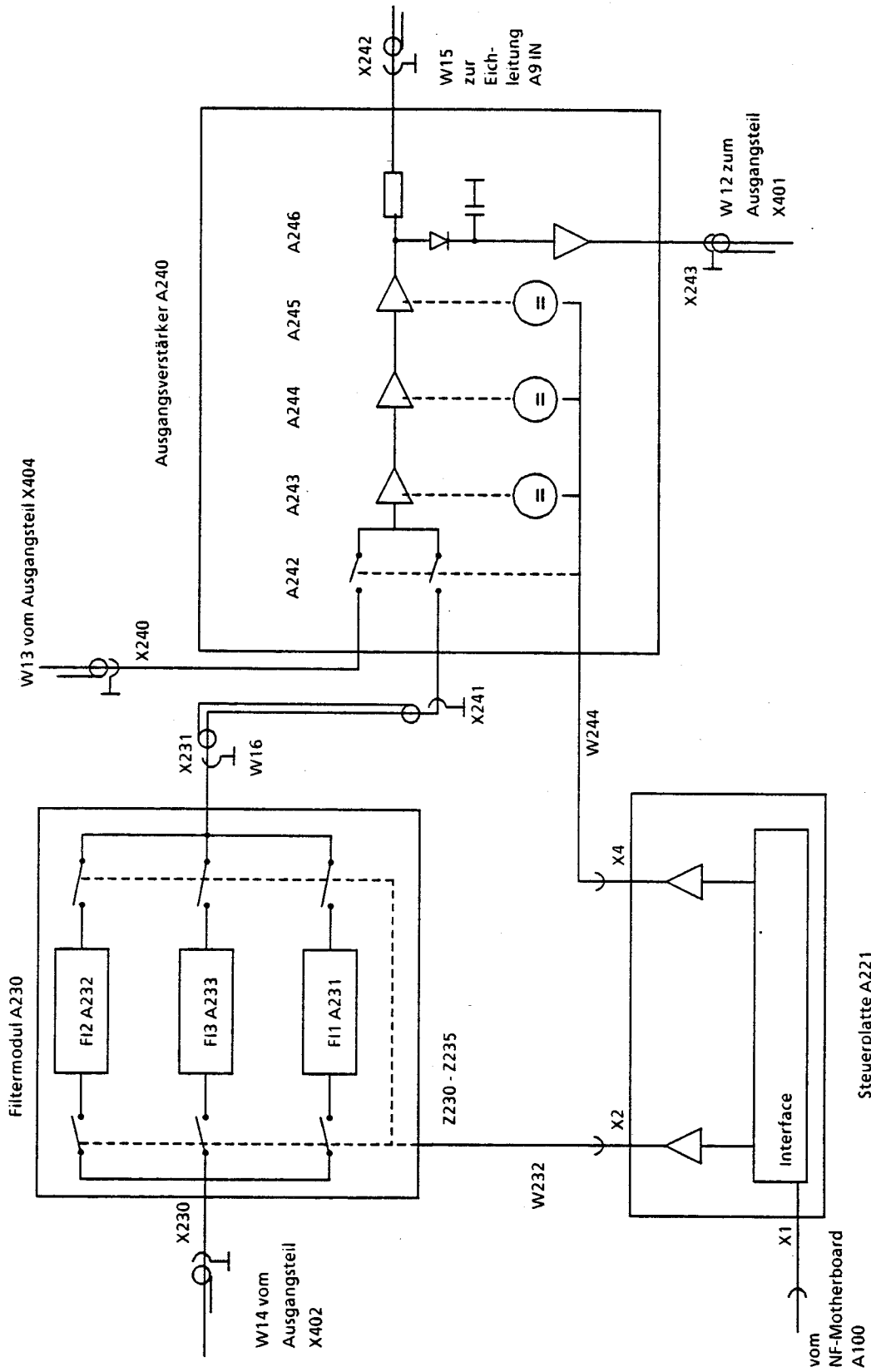


Bild 5-1 Blockschaubild der Frequenzerweiterung-2GHz

5.2 Prüfen und Abgleich

5.2.1 Pegelabgleich

Mit dem Potentiometer R30 im Ausgangsverstärker wird der Minimalpegel bei elektronischer Pegelabsenkung im Frequenzbereich $f > 8$ MHz eingestellt:

- Frequenz auf 500 MHz, Pegel auf +13 dBm einstellen.
- Spezialfunktion 53 einschalten.
- Leistungsmesser an Geräte-RF-Buchse anschließen, Pegelanzeige P_{ref} notieren oder auf relative Anzeige schalten.
- Spezialfunktion 54 einschalten. Damit wird der Generatorpegel um exakt 25 dB abgesenkt.
- Abgleich mit R30 auf einen Pegel von $P_{soll} = (P_{ref} - 25 \text{ dB}) \pm 0.5 \text{ dB}$ am Leistungsmesser.

5.2.2 Prüfen der Steuerplatte

Es sind die Schnittstellendaten nach Tabelle 5-2 in den entsprechenden Frequenzbereichen zu überprüfen:

Bezeichnungen von Frequenz- und Pegelbereichen:

Frequenzbereich FB1: $0.1 \text{ MHz} \leq f < 1000 \text{ MHz}$

Frequenzbereich FB2: $1000 \text{ MHz} \leq f \leq 1260 \text{ MHz}$

Frequenzbereich FB3: $1260 \text{ MHz} < f \leq 1590 \text{ MHz}$

Frequenzbereich FB4: $1590 \text{ MHz} < f \leq 2000 \text{ MHz}$

Pegel H: $3.5 \text{ V} \leq U \leq 5.2 \text{ V}^*)$

L: $0 \text{ V} \leq U \leq 1.5 \text{ V}^*)$

H1: $12 \text{ V} \leq U \leq 15.2 \text{ V}$

L1: $-15.2 \text{ V} \leq U \leq -12 \text{ V}$

H2: $0.7 \text{ V} \leq U \leq 1 \text{ V}$

L2: $-15.2 \text{ V} \leq U \leq -12 \text{ V}$

H: H oder L

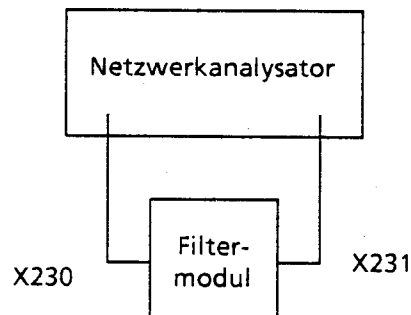
*) (HCMOS-Pegel)

Tabelle 5-2

Meßpunkt	FB1	FB2	FB3	FB4
D10/Q1	L	H	H	H
D10/Q2	H	L	L	L
D10/Q3	L	H	L	L
D10/Q4	L	L	H	L
D10/Q5	L	L	L	H
D10/Q6	X	X	X	X
D10/Q7	X	X	X	X
D10/Q8	X	X	X	X
X2.1	H2	H2	L2	H2
X2.2	H2	H2	H2	L2
X2.3	H2	L2	H2	H2
X4.1	H1	L1	L1	L1
X4.2	L1	H1	H1	H1

5.2.3 Prüfen des Filtermoduls

Meßanordnung:



Die Kabel W232 an X230 und W16 an X231 sind abzuschrauben. Dazu muß das Filtermodul von der Grundplatte abgeschraubt werden.

Um das zu messende Filter einzuschalten ist am Gerät eine Frequenz zwischen f_u und f_o einzustellen. Die Durchlaßkurve ist mit einem skalaren Netzwerkanalysator zu kontrollieren.

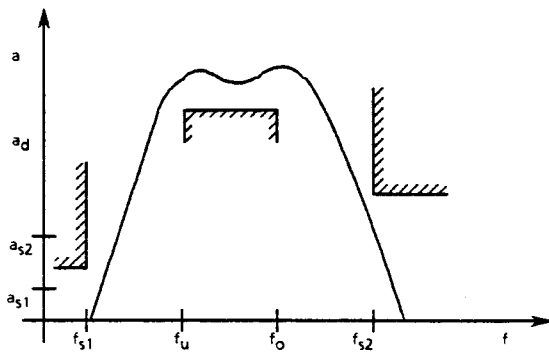


Bild 5-3 Filterdurchlaßkurve

Frequenz in MHz, Pegel in dB relativ zum Pegel an X230:

Filter	f_{s1}	f_u	f_o	f_{s2}	a_d	a_{s1}	a_{s2}
1	630	1000	1260	1500	-5.5	-35	-27
2	795	1260	1590	1890	-5.0	-35	-30
3	1060	1590	2000	2385	-5.0	-35	-30

Die Kabel W13 an X240, W16 an X241, W15 an X242 und W12 an X243 sind abzuschrauben. Zum Lösen des Kabels W16 ist es erforderlich, den Ausgangsverstärker von der Montageplatte abzuschrauben. Die entsprechenden Schraubenpositionen sind im Bild 5-7 dargestellt.

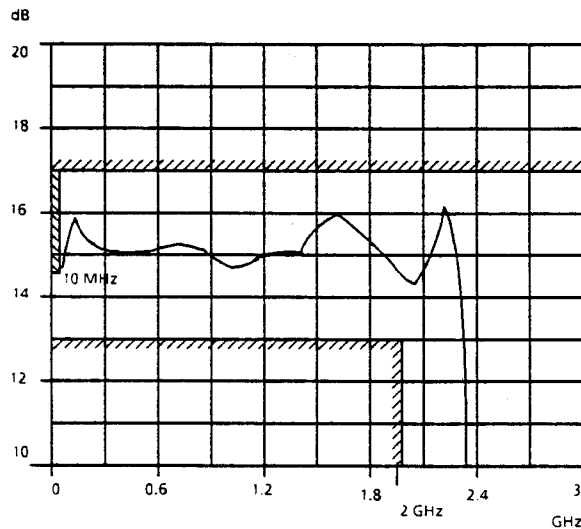


Bild 5-4 |S21| typische Kurve und Toleranzfeld

5.2.4 Prüfen des Ausgangsverstärkers

5.2.4.1 Prüfen des Frequenzgangs

- Eine Frequenz < 1 GHz einstellen.
- Netzwerkanalysator an den Verstärkereingang X240 und an den Ausgang X242 anschließen.
- |S21| und |S11| nach Bild 5-4 und 5-5 prüfen.
- Eine Frequenz > 1 GHz einstellen.
- Messung mit Eingang X241 wiederholen.

Meßanordnung:

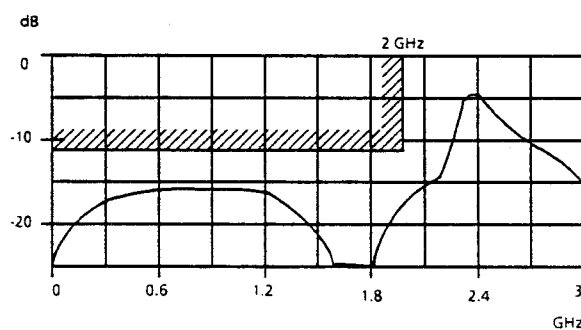
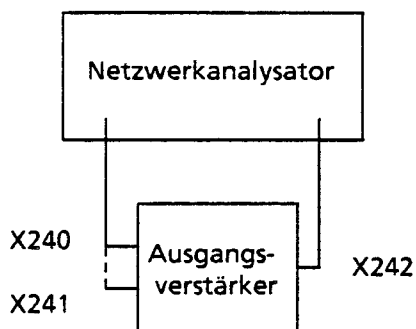


Bild 5-5 |S11| typische Kurve und Toleranzfeld

5.2.4.2 Prüfen des Oberwellenabstands

- Spektrumanalysator an die Geräte-RF-Buchse anschließen. Pegel auf + 13 dBm stellen.
- Grundwellenpegel kontrollieren. Im Frequenzbereich $0.1 \text{ MHz} \leq f \leq 2 \text{ GHz}$ müssen die Oberwellen k_2 und k_3 einen Abstand $> 30 \text{ dBc}$ haben.

5.2.4.3 Prüfen der Gleichrichterlinearität

*Hinweis: Bei offener AM-Regelschleife, z.B. durch Abschrauben des Kabels vom Ausgang X243, kann am Verstärker-
ausgang X242 ein HF-Pegel bis zu +23 dBm auftreten!*

- Meßadapter, z.B. T-Stück, am Ausgang X243 anbringen, Kabelverbindung wiederherstellen, DC-Voltmeter an Meßadapter anschließen.
- Frequenz auf 10 MHz stellen.
- Pegel auf + 13 dBm einstellen, Spezialfunktion 1 einschalten, Pegel auf Werte nach Tabelle 5-6 einstellen und Spannungswert der Gleichrichtspannung prüfen. (Spezialfunktion 1 = unterbrechungsfreie Pegel-einstellung)

Tabelle 5-6

Pegeleinstellung	Gleichspannung an X243
+ 13 dBm	$3.0 \text{ V} \leq U_{13} \leq 3.4 \text{ V}$
+ 7 dBm	$0.49 \cdot U_{13} \leq U \leq 0.51 \cdot U_{13}$
- 7 dBm	$0.09 \cdot U_{13} \leq U \leq 0.11 \cdot U_{13}$

5.2.4.4 Prüfen des Gleichrichtfrequenzgangs

- HF-Leistungsmesser an Geräte-RF-Buchse anschließen.
- Frequenz auf 100 MHz, Pegel auf + 13.0 dBm einstellen.
- Im Frequenzbereich $8 \text{ MHz} \leq f \leq 2 \text{ GHz}$ darf der am Leistungsmesser gemessene Pegel um max. $\pm 0.5 \text{ dB}$ von + 13 dBm abweichen.

5.3 Fehlersuche

Gerätefehler, deren Ursache in der "Frequenzerweiterung" liegen kann, sind z.B.:

- kein Ausgangspegel bei $f > 1$ GHz: Filtermodul, Pinschalter
- kein Ausgangspegel: Verstärkerstufen, Detektor
- falscher Ausgangspegel: Detektor, AP-Regelung
- unzureichender Nebenwellenabstand: Filtermodul, Pinumschalter
- unzureichender Oberwellenabstand: Verstärkerstufen, AP-Regelung
- zu hohes Breitbandrauschen: Verstärkerstufen
- schlechte AM-Eigenschaften: Kompensationsdioden, AP-Regelung

Zuerst sind die Schnittstellendaten der Steuerplatte zu prüfen.

5.3.1 Steuerplatte

Kabel an X2 und X4 abziehen, Leerlaufspannungen an den Komparatorausgängen prüfen.

Pin	Name	Zustand	Leerlaufspannung
X2.1	FI2ON-12N	D10/Q4 = L D10/Q4 = H	12 V < U U < -11 V
X2.2	FI3ON-12N	D10/Q5 = L D10/Q5 = H	12 V < U U < -11 V
X2.3	FI1ON-12N	D10/Q3 = L D10/Q3 = H	12 V < U U < -11 V
X4.1	HF1ON-15P	D10/Q2 = H D10/Q2 = L	12 V < U U < -12 V
X4.2	HF1ON-15N	D10/Q1 = H D10/Q1 = L	12 V < U U < -12 V

5.3.2 Filtermodul

HF-Eigenschaften nach 5.2.3 prüfen. Bei den Betriebszuständen Filter1-ON, Filter2-ON und Filter 3-ON müssen folgende Spannungswerte am Kabel W232 zu messen sein:

H entspricht einem Bereich von $0.7\text{ V} \leq U \leq 1\text{ V}$
 L entspricht einem Bereich von $-15.2\text{ V} \leq U \leq -12\text{ V}$

Pin	Filter1-ON	Filter2-ON	Filter3-ON
W232/1	H	L	H
W232/2	H	H	L
W232/3	L	H	H

5.3.3 Ausgangsverstärker

Frequenz auf 100 kHz stellen, Eingang X240 mit 50 Ohm abschließen, Deckel abschrauben, Spannungen an den Durchführungsfiltern prüfen:

06, 08, 010:	$3\text{ V} \leq U \leq 8\text{ V}$
07, 09:	$12.7\text{ V} \leq U \leq 13.1\text{ V}$
011:	$19\text{ V} \leq U \leq 20\text{ V}$
012:	$-30\text{ mV} \leq U \leq 150\text{ mV}$
013:	$-250\text{ mV} \leq U \leq -50\text{ mV}$
016:	$12\text{ V} \leq U \leq 15.2\text{ V}$
017:	$-15.2\text{ V} \leq U \leq -12\text{ V}$

Die Spannung an der Verbindung Pinumschalter-Vorstufe beträgt $-4\text{ V} \leq U \leq -3.5\text{ V}$ unabhängig von der Schaltererstellung.

Die Übertragungskette von X241 bis X243 kann z.B. mit einem HF-Voltmeter oder einem Oszilloskop getestet werden.

Bei $f = 100\text{ kHz}$ gelten folgende Betriebsspannungsverstärkungen der Einzelstufen, wenn X243 mit 50 Ohm abgeschlossen ist:

Pinumschalter:	$v = 0.8$
Vorstufe:	$v = 4$
Treiberstufe:	$v = 3$
Endstufe:	$v = 1$
Detektor:	$v = 0.5$

5.3.4 HF-Pegel bei offener AM-Regelschleife

Löst man die Verbindung W12 an X243 am Ausgangsverstärker, erhält man den maximalen HF-Pegel, der vom Ausgangsteil über die Kabel W13 für $f < 1\text{ GHz}$ und W14 für $f \geq 1\text{ GHz}$ geliefert wird:

Meßstelle	HF-Pegel an 50 Ohm	
	für $f < 1\text{ GHz}$	für $f \geq 1\text{ GHz}$
X240	5 ... 10 dBm	-
X230	-	5 ... 10 dBm
X231	-	2 ... 7 dBm
X241	-	2 ... 7 dBm
X242	18 ... 23 dBm	15 ... 23 dBm

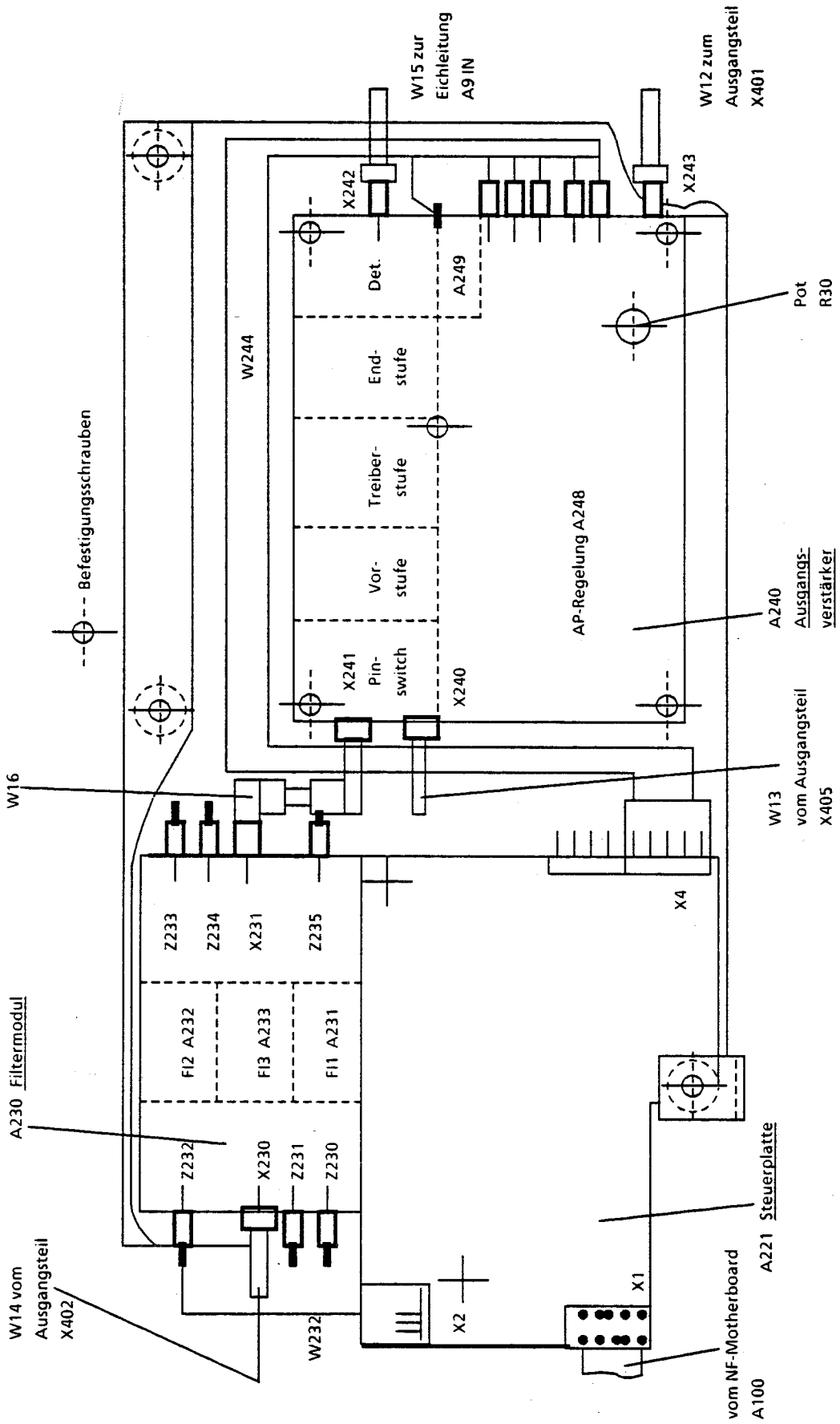


Bild 5-7 Lageplan der Baugruppen der Frequenzerweiterung 2 GHz



ROHDE & SCHWARZ

SERVICE DOCUMENTS

Frequency Extension 2 GHz

843.3273.02

Contents

		Page
5	Service Manual for Frequency Extension	5.1
5.1	Function Description	5.1
5.1.1	Filter Module	5.1
5.1.2	Output Amplifier	5.1
5.1.3	Control Board	5.1
5.2	Checking and Adjustment	5.3
5.2.1	Level Adjustment	5.3
5.2.2	Checking the Control Board	5.3
5.2.3	Checking the Filter Module	5.3
5.2.4	Checking the Output Amplifier	5.4
5.2.4.1	Checking the Frequency Response	5.4
5.2.4.2	Checking the Harmonic Suppression	5.5
5.2.4.3	Checking the Rectifier Linearity	5.5
5.2.4.4	Checking the Rectifier Frequency Response	5.5
5.3	Troubleshooting	5.6
5.3.1	Control Board	5.6
5.3.2	Filter Module	5.7
5.3.3	Output Amplifier	5.7
5.3.4	RF Level with Open AM Control Loop	5.7

5 Service Manual for Frequency Extension

5.1 Function Description

(See circuit diagrams 843.3309 S (control board), 843.3450 S (output amplifier), 843.3550 S (filter module) and block diagram 5-1).

The RF signals coming from the output stage module are directly applied to the input switch of output amplifier in the frequency range $0.1 \text{ MHz} \leq f < 1000 \text{ MHz}$ and via filter module in the frequency range $1000 \text{ MHz} \leq f \leq 2000 \text{ MHz}$. Subsequently, the RF signal is amplified by 14 dB.

For level control and amplitude modulation, the output signal is rectified and the control voltage taken out. On the control board, the switching signals required for this purpose are decoded from the serial interface to the microprocessor and stored.

5.1.1 Filter Module

The module contains three electronically switchable bandpass filters for suppression of the subharmonics and high-order harmonics contained in the doubler spectrum. The bandpass filters and the preceding and subsequent pin diode switches are implemented on ceramic substrates using thin-film technology.

5.1.2 Output Amplifier

The output amplifier contains 6 thin-film modules A242 to A246, A249 and the PCB A248.

The inputs X240 and X241 are connected to the preamplifier stage A243 via pin switch A242. The input signal is further amplified in driver stage A244 and final stage A245 and taken to detector module A246. There, the RF signal is rectified with V502. The RF voltage is available at output socket X242 with an internal resistance of 50Ω . Pin diode V500 protects the final stage and the detector from positive voltage peaks which enter the amplifier from the RF output X242.

The "operating point control" board contains 3 current sources V5, V15, V25 for impressing the collector current of the RF transistors in preamplifier, driver and final stage, as well as V1, V10, V20 for controlling the respective collector voltages.

The rectified voltage coming from the detector module is applied to output X243 via N41.

The thin-film module A249 contains 2 diodes for temperature compensation and linearization of the rectified voltage.

5.1.3 Control Board

The control board contains the microprocessor interface. The serially incoming data are stored in D10. The HCMOS levels are converted to the required levels using N30 and N90 as well as the subsequent buffer transistors.

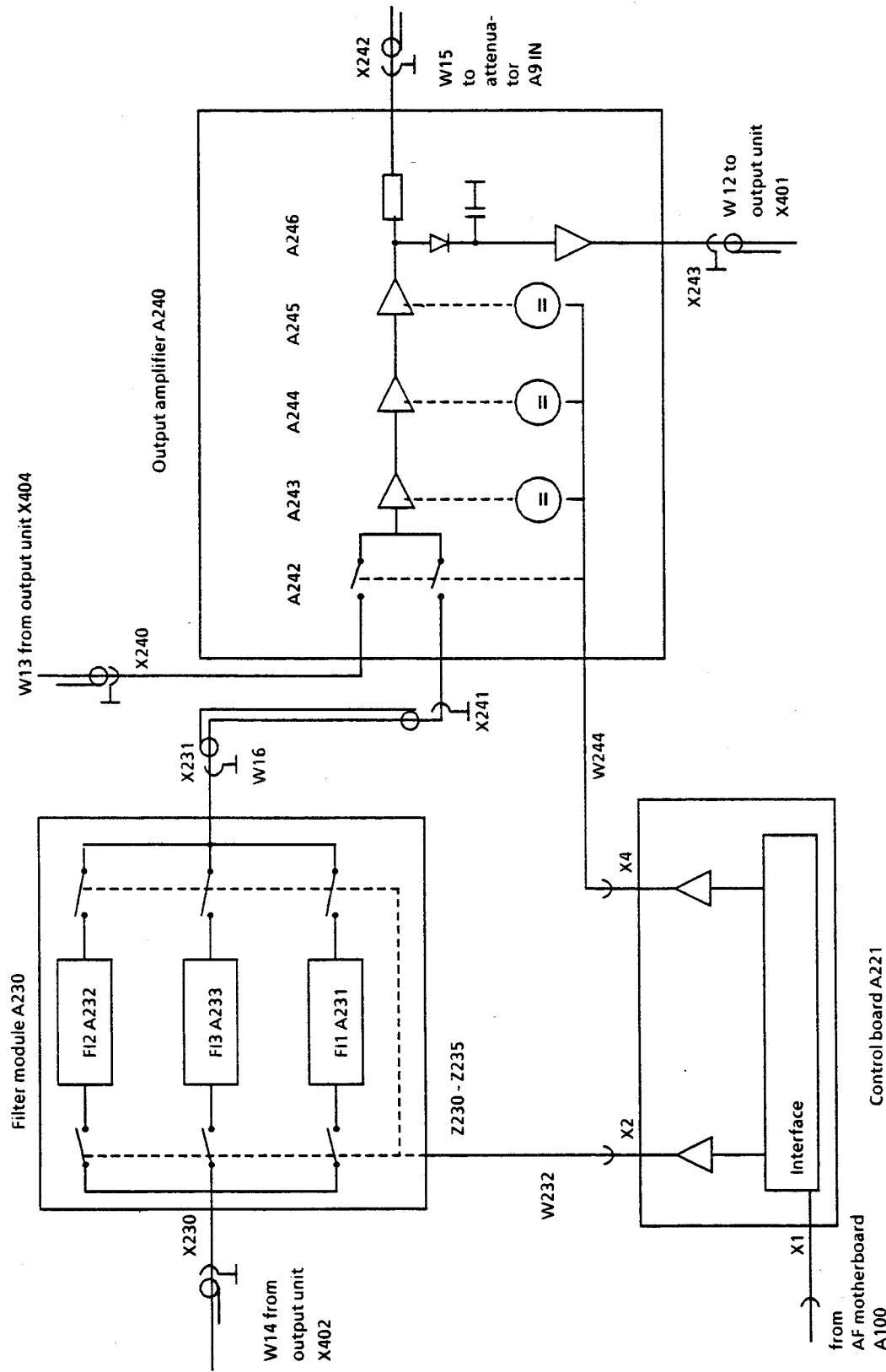


Fig. 5-1 Block diagram of frequency extension 2GHz

5.2 Checking and Adjustment

5.2.1 Level Adjustment

Using potentiometer R30 in the output amplifier, the minimum level is set in the frequency range $f > 8$ MHz with electronic level reduction:

- Set frequency to 500 MHz, level to + 13 dBm.
- Switch on special function 53.
- Connect power meter to RF socket, note level display P_{ref} or switch to relative display.
- Switch on special function 54. This reduces the generator level by exactly 25 dB.
- Use R30 to adjust to a level of $P_{nom} = (P_{ref} - 25 \text{ dB}) \pm 0.5 \text{ dB}$ on the power meter.

5.2.2 Checking the Control Board

Check the interface data according to Table 5-2 in the respective frequency ranges:

Frequency and level range designations:

Frequency range FB1: $0.1 \text{ MHz} \leq f < 1000 \text{ MHz}$

Frequency range FB2: $1000 \text{ MHz} \leq f \leq 1260 \text{ MHz}$

Frequency range FB3: $1260 \text{ MHz} < f \leq 1590 \text{ MHz}$

Frequency range FB4: $1590 \text{ MHz} < f \leq 2000 \text{ MHz}$

Level H: $3.5 \text{ V} \leq V \leq 5.2 \text{ V}^*)$

L: $0 \text{ V} \leq V \leq 1.5 \text{ V}^*)$

H1: $12 \text{ V} \leq V \leq 15.2 \text{ V}$

L1: $-15.2 \text{ V} \leq V \leq -12 \text{ V}$

H2: $0.7 \text{ V} \leq V \leq 1 \text{ V}$

L2: $-15.2 \text{ V} \leq V \leq -12 \text{ V}$

X: H or L

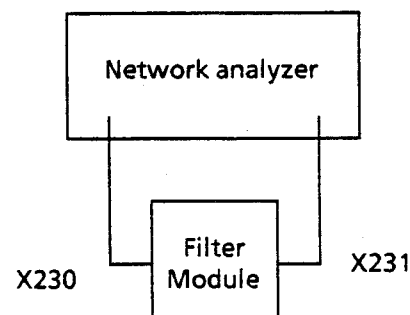
*) HCMOS level)

Table 5-2

Test point	FB1	FB2	FB3	FB4
D10/Q1	L	H	H	H
D10/Q2	H	L	L	L
D10/Q3	L	H	L	L
D10/Q4	L	L	H	L
D10/Q5	L	L	L	H
D10/Q6	X	X	X	X
D10/Q7	X	X	X	X
D10/Q8	X	X	X	X
X2.1	H2	H2	L2	H2
X2.2	H2	H2	H2	L2
X2.3	H2	L2	H2	H2
X4.1	H1	L1	L1	L1
X4.2	L1	H1	H1	H1

5.2.3 Checking the Filter Module

Test setup:



Unscrew cables W232 at X230 and W16 at X231. For this purpose, the filter module must be unscrewed from the mounting plate.

In order to switch on the filter to be measured, set a frequency between f_u and f_o on the instrument. Check the passband curve using a scalar network analyzer.

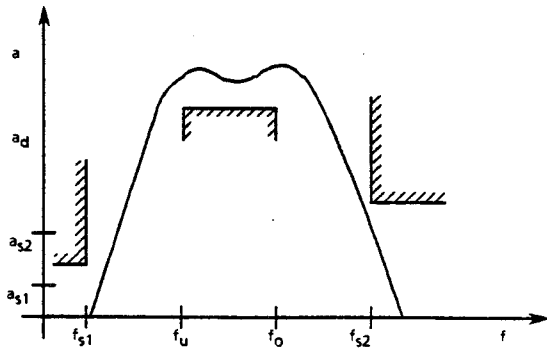


Fig. 5-3 Filter passband curve

Frequency in MHz, level in dB relative to level at X230:

Filter	f_{s1}	f_u	f_o	f_{s2}	a_d	a_{s1}	a_{s2}
1	630	1000	1260	1500	-5.5	-35	-27
2	795	1260	1590	1890	-5.0	-35	-30
3	1060	1590	2000	2385	-5.0	-35	-30

Unscrew cables W13 at X240, W16 at X241, W15 at X242 and W12 at X243. In order to loosen cable W16, the output amplifier must be unscrewed from the mounting plate. The locations of the screws are shown in Fig. 5-7.

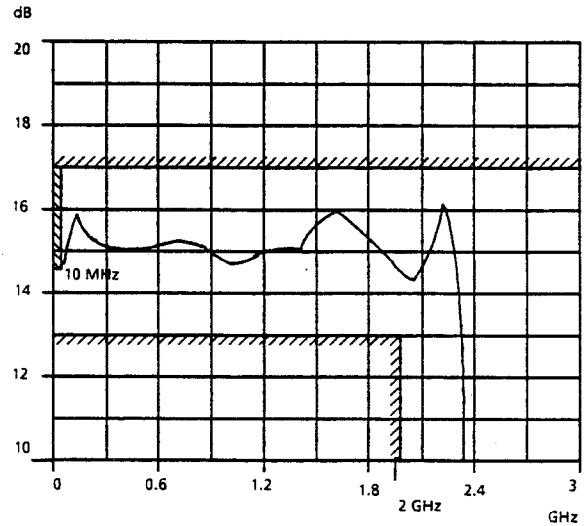


Fig. 5-4 $|S_{21}|$ Typical curve and tolerance field

5.2.4 Checking the Output Amplifier

5.2.4.1 Checking the Frequency Response

- Set a frequency < 1 GHz.
- Connect network analyzer to amplifier input X240 and output X242.
- Check $|S_{21}|$ and $|S_{11}|$ according to Figs. 5-4 and 5-5.
- Set a frequency > 1 GHz.
- Repeat the measurement for input X241.

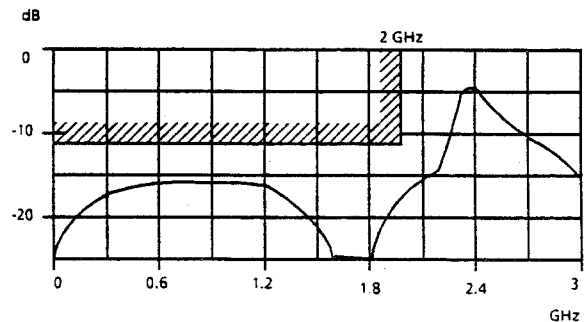
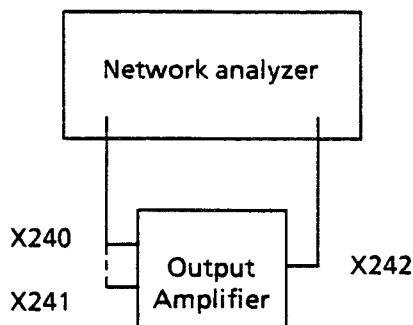


Fig. 5-5 $|S_{11}|$ Typical curve and tolerance field

Test setup:



5.2.4.2 Checking the Harmonic Suppression

- Connect spectrum analyzer to RF socket. Set level to +13 dBm.
- Check level of fundamental. The harmonics d2 and d3 must be spaced >30 dBc apart in the frequency range $0.1 \text{ MHz} \leq f \leq 2 \text{ GHz}$.

5.2.4.3 Checking the Rectifier Linearity

Note: If the AM control loop is open, e.g. after unscrewing the cable at output X243, an RF level of up to +23 dBm may occur at amplifier output X242!

- Attach test adapter, e.g. T-piece, to output X243. Reconnect the cable, connect DC voltmeter to test adapter.
- Set frequency to 10 MHz.
- Set level to +13 dBm, switch on special function 1, set level to values specified in Table 5-6 and check value of rectified voltage. (Special function 1 = non-interrupting level setting)

Table 5-6

Level setting	DC voltage at X243
+13 dBm	$3.0 \text{ V} \leq V_{13} \leq 3.4 \text{ V}$
+7 dBm	$0.49 * V_{13} \leq V \leq 0.51 * V_{13}$
-7 dBm	$0.09 * V_{13} \leq V \leq 0.11 * V_{13}$

5.2.4.4 Checking the Rectifier Frequency Response

- Connect RF power meter to RF socket.
- Set frequency to 100 MHz and level to +13.0 dBm.
- The level measured using the power meter must not deviate by more than $\pm 0.5 \text{ dB}$ from +13 dBm.

5.3 Troubleshooting

Instrument errors that may originate from the frequency extension:

- No output level at $f > 1$ GHz: Filter module, pin switch
- No output level: Amplifier stages, detector
- Wrong output level: Detector, operating point control
- Insufficient spurious frequency suppression: Filter module, pin switch
- Insufficient harmonic suppression: Amplifier stages, operating point control
- Excessive broadband noise: Amplifier stages
- Poor AM characteristics: Balancing diodes, operating point control

The interface data of the control board must be checked first.

5.3.1 Control Board

Remove cables from X2 and X4. Check open-circuit voltages at comparator outputs.

Pin	Name	Status	Open-circuit voltage
X2.1	FI2ON-12N	D10/Q4 = L D10/Q4 = H	$12\text{ V} < V$ $V < -11\text{ V}$
X2.2	FI3ON-12N	D10/Q5 = L D10/Q5 = H	$12\text{ V} < V$ $V < -11\text{ V}$
X2.3	FI1ON-12N	D10/Q3 = L D10/Q3 = H	$12\text{ V} < V$ $V < -11\text{ V}$
X4.1	HF1ON-15P	D10/Q2 = H D10/Q2 = L	$12\text{ V} < V$ $V < -12\text{ V}$
X4.2	HF1ON-15N	D10/Q1 = H D10/Q1 = L	$12\text{ V} < V$ $V < -12\text{ V}$

5.3.2 Filter Module

Check the RF characteristics according to section 5.2.3. In the operating modes Filter1-ON, Filter2-ON and Filter3-ON, the following voltage values must be measured on cable W232:

H corresponds to the range $0.7\text{ V} \leq V \leq 1\text{ V}$
 L corresponds to the range $-15.2\text{ V} \leq V \leq -12\text{ V}$

Pin	Filter1-ON	Filter2-ON	Filter3-ON
W232/1	H	L	H
W232/2	H	H	L
W232/3	L	H	H

5.3.3 Output Amplifier

Set the frequency to 100 kHz, terminate input X240 with 50 Ω , unscrew the cover, check the voltages at the lead-through filters:

06, 08, 010: $3\text{ V} \leq V \leq 8\text{ V}$
 07, 09: $12.7\text{ V} \leq V \leq 13.1\text{ V}$
 011: $19\text{ V} \leq V \leq 20\text{ V}$
 012: $-30\text{ mV} \leq V \leq 150\text{ mV}$
 013: $-250\text{ mV} \leq V \leq -50\text{ mV}$
 016: $12\text{ V} \leq V \leq 15.2\text{ V}$
 017: $-15.2\text{ V} \leq V \leq -12\text{ V}$

The voltage at the connection between pin switch and preamplifier stage is $-4\text{ V} \leq V \leq -3.5\text{ V}$, independent of the switch position.

The transmission path from X241 to X243 can be checked e.g. using an RF voltmeter or an oscilloscope.

If X243 is terminated with 50 Ω , the operating voltage gains of the individual stages at $f = 100\text{ kHz}$ are as follows:

Pin switch: $g = 0.8$
 Preamplifier stage: $g = 4$
 Driver stage: $g = 3$
 Final stage: $g = 1$
 Detector: $g = 0.5$

5.3.4 RF Level with Open AM Control Loop

By loosening the connection W12 at X243 on the output amplifier, the maximum RF level is obtained which is delivered by the output section via cable W13 for $f < 1\text{ GHz}$ and W14 for $f \geq 1\text{ GHz}$:

Test point	RF level into 50 Ω	
	for $f < 1\text{ GHz}$	for $f \geq 1\text{ GHz}$
X240	5 to 10 dBm	-
X230	-	5 to 10 dBm
X231	-	2 to 7 dBm
X241	-	2 to 7 dBm
X242	18 to 23 dBm	15 to 23 dBm

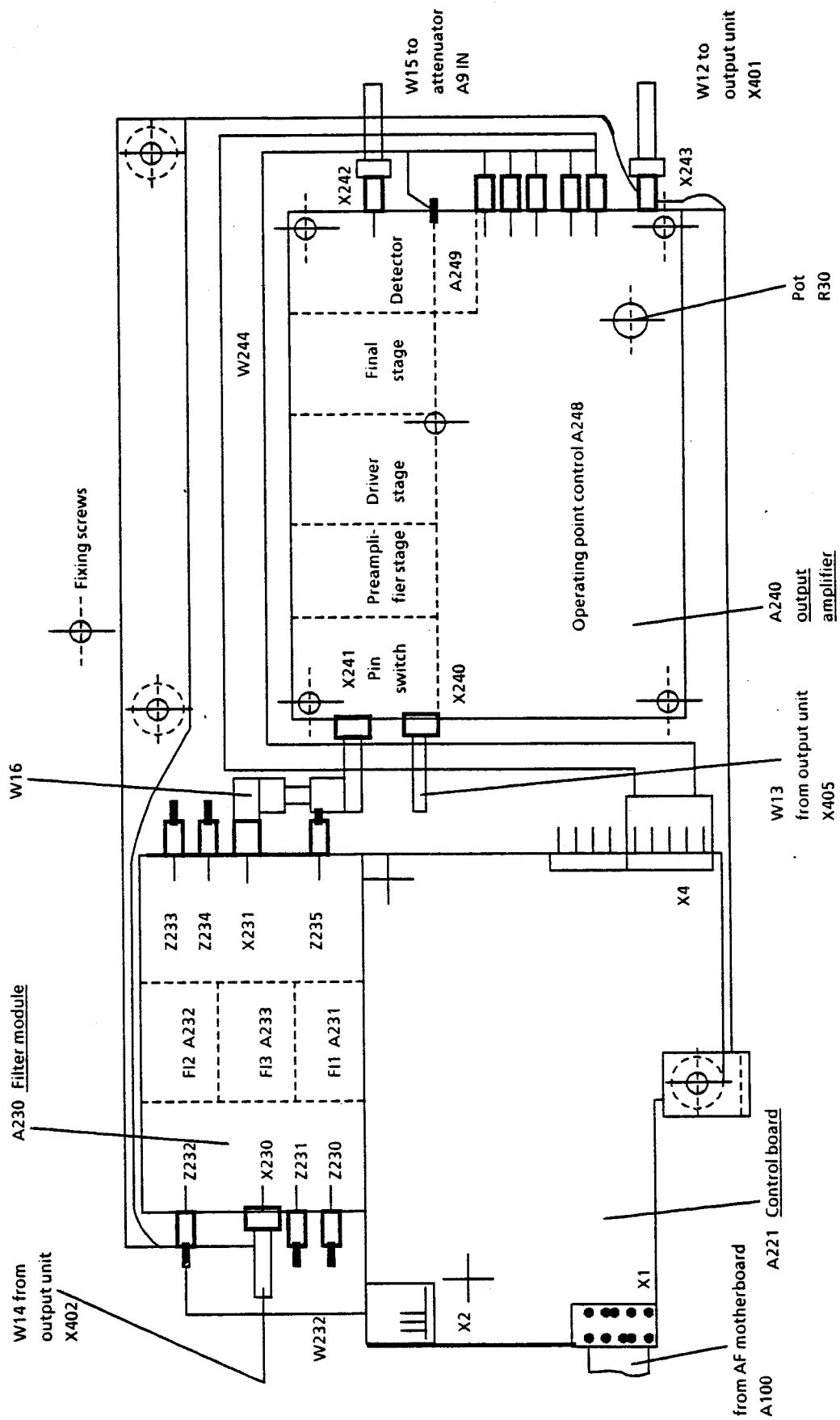


Fig. 5-7 Layoutplan of modules of frequency extension 2GHz



ROHDE & SCHWARZ

Schaltteillisten

Stromläufe

Bestückungspläne

Part lists

Circuit diagrams


Components plans

Listes des pièces détachées

Schémas de Circuit

Plans des composants

Für diese Unterlage behalten
wir uns alle Rechte vor.

Kennz. Comp. No.	Benennung Designation	Sachnummer Stock No.	Hersteller Manufacturer	Bezeichnung Designation	enthalten in contained in	
A221	ED STEUERPLATTE CONTROL BOARD	0843.3309.02				
A230	BD FILTERMODUL FILTERMODULE	0843.3550.02				
A240	BD AUSGANGS-VERSTAERKER OUTPUT AMPLIFIER	0843.3450.02				
W16	DW HF-KABEL RF-CABLE	0843.3415.00				
MEZ15	790 3PLU	ÄI	Datum Date	Schaltteilliste für Parts list for	Sachnummer Stock No.	Blatt-Nr. Page
 ROHDE & SCHWARZ	04	03.05.99	ZE ERWEITERUNG-2GHZ EXTENSION-2GHZ	0843.3273.01 SA	1-	

095.0026-0693


Für diese Unterlage behalten wir uns alle Rechte vor.

Kennz. Comp. No.	Benennung Designation	Sachnummer Stock No.	Hersteller Manufacturer	Bezeichnung Designation	enthalten in contained in
C10	CK 10NF+-5%63V RD2,5H7MKT CAPACITOR	CK 0099.2869.00	ROEDERSTEI	MKT 1826-310-014W	
C30	CK 100NF+-5%63VRD2,5H7MKT CAPACITOR	CK 0099.2930.00	SIEMENS	B 32 529-C104-J	
C31	CK 100NF+-5%63VRD2,5H7MKT CAPACITOR	CK 0099.2930.00	SIEMENS	B 32 529-C104-J	
C32	CK 100NF+-5%63VRD2,5H7MKT CAPACITOR	CK 0099.2930.00	SIEMENS	B 32 529-C104-J	
C33	CK 10NF+-5%63V RD2,5H7MKT CAPACITOR	CK 0099.2869.00	ROEDERSTEI	MKT 1826-310-014W	
C40	CK 100NF+-5%63VRD2,5H7MKT CAPACITOR	CK 0099.2930.00	SIEMENS	B 32 529-C104-J	
C60	CK 10NF+-5%63V RD2,5H7MKT CAPACITOR	CK 0099.2869.00	ROEDERSTEI	MKT 1826-310-014W	
C61	CK 10NF+-5%63V RD2,5H7MKT CAPACITOR	CK 0099.2869.00	ROEDERSTEI	MKT 1826-310-014W	
D10	BL PC74HC4094P 8ST.SH.REG 8-STAGE SHIFT&STORE REG.	0099.9711.00	PHILIPS_SE	(PC)74HC4094N(P)	
N30	BO MC1558JG 2X OPAMP OPERATIONAL AMPLIFIER	BO 0275.0816.00	TEXAS	MC1558JG	
N90	BO LM124J 4XLP OPAMP OPERATIONAL AMPLIFIER	0300.6353.00	NSC	LM124J	
R10	RL 0,60W 1KOHM+-1%TK50 RESISTOR	RL 0082.2160.00	PHILIPS_CO	MRS 25	
R11	RL 0,60W 1KOHM+-1%TK50 RESISTOR	RL 0082.2160.00	PHILIPS_CO	MRS 25	
R30	RL 0,60W 2,74KOHM+-1%TK50 RESISTOR	RL 0083.0926.00	PHILIPS_CO	MRS 25	
R31	RL 0,60W 12,1KOHM+-1%TK50 RESISTOR	RL 0083.1351.00	PHILIPS_CO	MRS 25	
R32	RL 0,60W 2,43KOHM+-1%TK50 RESISTOR	RL 0083.0884.00	RESISTA	MK2	
R40	RL 0,60W 10,0KOHM+-1%TK50 RESISTOR	RL 0083.1297.00	PHILIPS_CO	MRS 25	
R41	RL 0,60W 10,0KOHM+-1%TK50 RESISTOR	RL 0083.1297.00	PHILIPS_CO	MRS 25	
R60	RL 0,60W 1KOHM+-1%TK50 RESISTOR	RL 0082.2160.00	PHILIPS_CO	MRS 25	
R70	RL 0,60W 1KOHM+-1%TK50 RESISTOR	RL 0082.2160.00	PHILIPS_CO	MRS 25	
R80	RL 0,60W 1KOHM+-1%TK50 RESISTOR	RL 0082.2160.00	PHILIPS_CO	MRS 25	
V30	AK BCY59IX N 45V 200MA TRANSISTOR	AK 0010.5163.00	VALVO	BCY59IX	
V31	AK BCY79IX P 45V 200MA TRANSISTOR	AK 0010.3777.00	VALVO	BCY79IX	
V40	AK BCY59IX N 45V 200MA TRANSISTOR	AK 0010.5163.00	VALVO	BCY59IX	
V41	AK BCY79IX P 45V 200MA TRANSISTOR	AK 0010.3777.00	VALVO	BCY79IX	
V60	AK BCY59IX N 45V 200MA TRANSISTOR	AK 0010.5163.00	VALVO	BCY59IX	
V61	AK BCY79IX P 45V 200MA TRANSISTOR	AK 0010.3777.00	VALVO	BCY79IX	
V62	AD 1N4448 75V UDI DIODE	AD 0012.0700.00	PHILIPS_SE	1N4448 "	
V70	AK BCY59IX N 45V 200MA TRANSISTOR	AK 0010.5163.00	VALVO	BCY59IX	
V71	AK BCY79IX P 45V 200MA TRANSISTOR	AK 0010.3777.00	VALVO	BCY79IX	
V72	AD 1N4448 75V UDI DIODE	AD 0012.0700.00	PHILIPS_SE	1N4448 "	
V80	AK BCY59IX N 45V 200MA TRANSISTOR	AK 0010.5163.00	VALVO	BCY59IX	
V81	AK BCY79IX P 45V 200MA TRANSISTOR	AK 0010.3777.00	VALVO	BCY79IX	
V82	AD 1N4448 75V UDI DIODE	AD 0012.0700.00	PHILIPS_SE	1N4448 "	
X1	DY BUCHSENEINHEIT CONNECTOR UNIT	0843.3396.00			
X2	FP STIFTL.WIN 36P.R2,54 ANGLE PIN CONNECTOR	FP 0243.3578.00	BERG_ELEKT	75168-113-36	

MEZ15	790 3PLU	ÄI	Datum Date	Schalttailliste für Parts list for	Sachnummer Stock No.	Blatt-Nr. Page
		04	03.05.99	ED STEUERPLATTE CONTROL BOARD	0843.3309.01 SA	1+


095.0026-0693

Für diese Unterlage behalten wir uns alle Rechte vor.

Kennz. Comp. No.	Benennung Designation	Sachnummer Stock No.	Hersteller Manufacturer	Bezeichnung Designation	enthalten in contained in	
X4	4-POLIG FP STIFTL.WIN 36P.R2,54 ANGLE PIN CONNECTOR 7-POLIG	FP 0243.3578.00	BERG_ELEKT	75168-113-36		
MEZ15	790 3PLU	ÄI	Datum Date	Schaltteilliste für Parts list for	Sachnummer Stock No.	Blatt-Nr. Page
 ROHDE & SCHWARZ	04	03.05.99	ED STEUERPLATTE CONTROL BOARD	0843.3309.01 SA	2-	

095.0026-0693


Für diese Unterlage behalten wir uns alle Rechte vor.

Kennz. Comp. No.	Benennung Designation	Sachnummer Stock No.	Hersteller Manufacturer	Bezeichnung Designation	enthalten in contained in	
A241	DT E.-SUBST.O,63X17,4X4,0 DUENNSCHICHT SPEZIAL-TEIL THINFILM SPECIAL-PART ZUEGH.STROML./CIRC.DIAGRAM 843.3450 S	0843.3844.00				
A242	BD PIN-SCHALTER PIN-SWITCH DUENNSCHICHT SPEZIAL-TEIL THINFILM SPECIAL-PART ZUEGH.STROML./CIRC.DIAGRAM 843.3450 S	0843.3638.02				
A243	BD VORSTUFE PRE-AMPLIFIER DUENNSCHICHT SPEZIAL-TEIL THINFILM SPECIAL-PART ZUEGH STROML./CIRC.DIAGRAM 843.3450 S	0843.3609.02				
A244	BD TREIBER DRIVER DUENNSCHICHT SPEZIAL-TEIL THINFILM SPECIAL-PART ZUEGH.STROML./CIRC.DIAGRAM 843.3450 S	0843.3644.02				
A245	BD ENDSTUFE POWER AMPLIFIER DUENNSCHICHT SPEZIAL-TEIL THINFILM SPECIAL-PART ZUEGH.STROML./CIRC.DIAGRAM 843.3450 S	0843.3615.02				
A246	BD DETEKTOR(SMH) DETECTOR DUENNSCHICHT SPEZIAL-TEIL THINFILM SPECIAL-PART ZUEGH.STROML./CIRC.DIAGRAM 843.3450 S	0843.3596.02				
A247	DT E.-SUBSTR.O,63X4,1X3,9 DUENNSCHICHT SPEZIAL-TEIL THINFILM SPECIAL-PART ZUEGH.STROML./CIRC.DIAGRAM 843.3450 S	0920.0204.00				
A248	ED AP-REGELUNG WP-CONTROL ZUEGH.STROML./CIRC.DIAGRAM 843.3450 S	0843.3350.02				
A249	BD KOMP.-DIODEN(SMH) COMPENSATION DIODES DUENNSCHICHT SPEZIAL-TEIL THINFILM SPEC.PART ZUEGH.STROML./CIRC.DIAGR. 843.3450 S	0843.4105.02			0843.3350.01	
C1	CC 10NF+-10%50V X7R 1206 CERAMIC CHIP CAPACITOR	CC 0099.8521.00	MURATA	GRM42-6X7R103K 50PT	0843.3350.01	
C5	CE 1,0UF+-20%50V 4X 8TA ELECTROLYTIC CAPACITOR	CE 0006.3001.00	SPRAGUE	150D105X0050A2	0843.3350.01	
C10	CC 10NF+-10%50V X7R 1206 CERAMIC CHIP CAPACITOR	CC 0099.8521.00	MURATA	GRM42-6X7R103K 50PT	0843.3350.01	
C15	CE 1,0UF+-20%50V 4X 8TA ELECTROLYTIC CAPACITOR	CE 0006.3001.00	SPRAGUE	150D105X0050A2	0843.3350.01	
C20	CC 10NF+-10%50V X7R 1206 CERAMIC CHIP CAPACITOR	CC 0099.8521.00	MURATA	GRM42-6X7R103K 50PT	0843.3350.01	
C25	CE 1,0UF+-20%50V 4X 8TA ELECTROLYTIC CAPACITOR	CE 0006.3001.00	SPRAGUE	150D105X0050A2	0843.3350.01	
C30	CE 1,0UF+-20%50V 4X 8TA ELECTROLYTIC CAPACITOR	CE 0006.3001.00	SPRAGUE	150D105X0050A2	0843.3350.01	
C32	CC 1NF+-10%50VX7R 1206 CERAMIC CHIP CAPACITOR	CC 0099.8438.00	MURATA	GRM42-6 X7R 102 K50	0843.3350.01	
C41	CC 22PF+-1%50V NPO 1206 CERAMIC CHIP CAPACITOR	CC 0099.8396.00	MURATA	GRM42-6COG 220F50ZPT	0843.3350.01	
C50	CE 2,2UF+-20%50V RD4X5 ELEKTROLYTIC CAPACITOR NUR VAR/ONLY MOD: 04	0803.0944.00	NAT_PANASO	ECE-A1HKS-2R2		
C100	CE 1UF+-10%35V TANTALUM SMD-CAPACITOR	0843.3221.00	SPRAGUE	195D 105 X9 035 D2	0843.3638.01	
C101	CC 10NF+-10% 50V HDK 0504 CAPACITOR	0093.2180.00	TEKELEC	630 R11 X 103 KP	0843.3638.01	
C200	CE 1UF+-10%35V TANTALUM SMD-CAPACITOR	0843.3221.00	SPRAGUE	195D 105 X9 035 D2	0843.3609.01	
MEZ15	790 3PLU	ÄI	Datum Date	Schalttailliste für Parts list for	Sachnummer Stock No.	Blatt-Nr. Page
	ROHDE & SCHWARZ	35	03.05.99	BD AUSGANGS-VERSTAERKER OUTPUT AMPLIFIER	0843.3450.01 SA	1+

095.0026-0693

Für diese Unterlage behalten
wir uns alle Rechte vor.

Kennz. Comp. No.	Benennung Designation	Sachnummer Stock No.	Hersteller Manufacturer	Bezeichnung Designation	enthalten in contained in
C201	CC 3,3PFO,25PF NPO 0805 CERAMIC CHIP CAPACITOR	CC 0099.8273.00	PHILIPS_CO	2222 861 12338	0843.3609.01
C202	CE 1UF+-10%35V TANTALUM SMD-CAPACITOR	0843.3221.00	SPRAGUE	195D 105 X9 035 D2	0843.3609.01
C203	CE 1UF+-10%35V TANTALUM SMD-CAPACITOR	0843.3221.00	SPRAGUE	195D 105 X9 035 D2	0843.3609.01
C300	CC 100PF+-10%50V NPO 0504 CAPACITOR	0093.2144.00	TEKELEC	101 R11N 101 KP	0843.3644.01
C301	CC 5,1PFO,25PF50V NPO0504 CAPACITOR	0093.3663.00	TEKELEC	101R11N(L)5R1CP	0843.3644.01
C302	CC 5,1PFO,25PF50V NPO0504 CAPACITOR	0093.3663.00	TEKELEC	101R11N(L)5R1CP	0843.3644.01
C303	CC 4,3PFO,25PF NPO 0805 CAPACITOR	CC 0093.5643.00	MURATA	GRM40COG4R3C50PT	0843.3644.01
C304	CC 18NF+-10% X7R 0805 CERAMIC CHIP CAPACITOR	CC 0099.8380.00	VITRAMON	VJ0805Y183KXAT	0843.3644.01
C305	CE 1UF+-10%35V TANTALUM SMD-CAPACITOR	0843.3221.00	SPRAGUE	195D 105 X9 035 D2	0843.3644.01
C400	CC 47PF+-10%50V NPO 0504 CAPACITOR	0093.2121.00	TEKELEC	101 R11 N 470 KP	0843.3615.01
C401	CC 2,0PF+-10%50V NPO 0504 CAPACITOR	0093.3686.00	TEKELEC	101 R11N 2ROC P	0843.3615.01
C402	CC 4,3PFO,25PF NPO 0805 CAPACITOR	CC 0093.5643.00	MURATA	GRM40COG4R3C50PT	0843.3615.01
C403	CC 18NF+-10% X7R 0805 CERAMIC CHIP CAPACITOR	CC 0099.8380.00	VITRAMON	VJ0805Y183KXAT	0843.3615.01
C404	CE 680 NF+-10%50V TA-CHIP TANTALUM CHIP CAPACITOR	0803.1092.00	SPRAGUE	195 D 684 X 9050 D2	0843.3615.01
C405	CE 680 NF+-10%50V TA-CHIP TANTALUM CHIP CAPACITOR	0803.1092.00	SPRAGUE	195 D 684 X 9050 D2	0843.3615.01
C500	CC 1NF+-10%50V1KHDK 0504 CAPACITOR	0093.2215.00	TEKELEC	630 R11W 102 KP	0843.3596.01
C501	CX 100PF+-20%100VTK50 CHIP MIS CAPACITOR	0093.4460.00	ALPHA_IND	SC 9103-479	0843.3596.01
C504	CC 15PF+-5%50V NPO 0504 CAPACITOR	0093.2721.00	TEKELEC	101 R11 N 150 JP	0843.3596.01
L100	LD FERRITSPULE COIL	0843.3944.00			0843.3638.01
L101	LD FERRITSPULE COIL	0843.3944.00			0843.3638.01
L102	LD FERRITSPULE COIL	0843.3944.00			0843.3638.01
L200 ..202	XX ENTHALTEN IN INCLUDED IN LEITERPLATTE/PCB				0843.3609.01
L203	LD 330 UH 10% 10R2 0,1A CHOKE	0249.8888.00	JAHRE	71.20-3300K	0843.3609.01
L204	LD FERRITSPULE COIL	0843.3944.00			0843.3609.01
L205	XX ENTHALTEN IN INCLUDED IN LEITERPLATTE/PCB				0843.3609.01
L300 ..303	XX ENTHALTEN IN INCLUDED IN LEITERPLATTE/PCB				0843.3644.01
L304	LD FERRITSPULE COIL	0843.3944.00			0843.3644.01
L305	LD 330 UH 10% 10R2 0,1A CHOKE	0249.8888.00	JAHRE	71.20-3300K	0843.3644.01
L400 ..402	XX ENTHALTEN IN INCLUDED IN LEITERPLATTE/PCB				0843.3615.01
L403	LD FERRITSPULE COIL	0843.3944.00			0843.3615.01
L404	LD 330 UH 10% 10R2 0,1A CHOKE	0249.8888.00	JAHRE	71.20-3300K	0843.3615.01
L510	LD 100UH 10% 0,06A 1210 SMD-INDUCTOR	LD 0007.9261.00	SIEMENS	B82422-A1104-J(K)100	0843.3596.01
N32	BO MC1558JG 2X OPAMP OPERATIONAL AMPLIFIER	BO 0275.0816.00	TEXAS	MC1558JG	0843.3350.01
N41	BO LF156J FET OPAMP OPERATIONAL AMPLIFIER	BO 0645.7251.00	ANALOG_DEV	PM156Z	0843.3350.01
0203	VL GLASDURCHF. 18 X 4 FEED-THROUGH	VL 0062.7080.00	ELECTROVAC	A2.311.100*450-*0	0843.3609.01


MEZ15	790 3PLU	ÄI	Datum Date	Schaltteilliste für Parts list for	Sachnummer Stock No.	Blatt-Nr. Page
	ROHDE & SCHWARZ	35	03.05.99	BD AUSGANGS-VERSTAERKER OUTPUT AMPLIFIER	0843.3450.01 SA	2+

095.0026-0693

Für diese Unterlage behalten wir uns alle Rechte vor.


Kennz. Comp. No.	Benennung Designation	Sachnummer Stock No.	Hersteller Manufacturer	Bezeichnung Designation	enthalten in contained in
0303	VL GLASDURCHF. 18 X 4 FEED-THROUGH	VL 0062.7080.00	ELECTROVAC	A2.311.100*450-*0	0843.3644.01
0403	VL GLASDURCHF. 18 X 4 FEED-THROUGH	VL 0062.7080.00	ELECTROVAC	A2.311.100*450-*0	0843.3615.01
0505	VL GLASDURCHF. 18 X 4 FEED-THROUGH	VL 0062.7080.00	ELECTROVAC	A2.311.100*450-*0	0843.3596.01
R1	RL 0,60W 12,1KOHM+-1%TK50 RESISTOR	RL 0083.1351.00	PHILIPS_CO	MRS 25	0843.3350.01
R2	RL 0,60W 39,2KOHM+-1%TK50 RESISTOR	RL 0083.1745.00	RESISTA	MK2	0843.3350.01
R5	RL 0,60W 16,20 OHM+-1%TK50 RESISTOR	RL 0082.9059.00	PHILIPS_CO	MRS 25	0843.3350.01
R6	RL 0,60W 16,20 OHM+-1%TK50 RESISTOR	RL 0082.9059.00	PHILIPS_CO	MRS 25	0843.3350.01
R7	RG 215 OHM+-1%TK100 1206 CHIP RESISTOR	0006.8961.00	ROEDERSTEI	D25	0843.3350.01
R8	RL 0,60W 1KOHM+-1%TK50 RESISTOR	RL 0082.2160.00	PHILIPS_CO	MRS 25	0843.3350.01
R9	RL 0,60W 13,3KOHM+-1%TK50 RESISTOR	RL 0082.2577.00	RESISTA	MK2	0843.3350.01
R11	RL 0,60W 12,1KOHM+-1%TK50 RESISTOR	RL 0083.1351.00	PHILIPS_CO	MRS 25	0843.3350.01
R12	RL 0,60W 39,2KOHM+-1%TK50 RESISTOR	RL 0083.1745.00	RESISTA	MK2	0843.3350.01
R15	RL 0,60W 16,20 OHM+-1%TK50 RESISTOR	RL 0082.9059.00	PHILIPS_CO	MRS 25	0843.3350.01
R16	RL 0,60W 16,20 OHM+-1%TK50 RESISTOR	RL 0082.9059.00	PHILIPS_CO	MRS 25	0843.3350.01
R17	RG 215 OHM+-1%TK100 1206 CHIP RESISTOR	0006.8961.00	ROEDERSTEI	D25	0843.3350.01
R18	RL 0,60W 1KOHM+-1%TK50 RESISTOR	RL 0082.2160.00	PHILIPS_CO	MRS 25	0843.3350.01
R19	RL 0,60W 13,3KOHM+-1%TK50 RESISTOR	RL 0082.2577.00	RESISTA	MK2	0843.3350.01
R21	RL 0,60W 15,0KOHM+-1%TK50 RESISTOR	RL 0083.1400.00	RESISTA	MK2	0843.3350.01
R22	RL 0,60W 47,5KOHM+-1%TK50 RESISTOR	RL 0083.1800.00	RESISTA	MK2	0843.3350.01
R24	RL 0,60W 82,5 OHM+-1%TK50 RESISTOR	RL 0082.9707.00	RESISTA	MK2	0843.3350.01
R25	RL 0,60W 82,5 OHM+-1%TK50 RESISTOR	RL 0082.9707.00	RESISTA	MK2	0843.3350.01
R26	RL 0,60W 82,5 OHM+-1%TK50 RESISTOR	RL 0082.9707.00	RESISTA	MK2	0843.3350.01
R27	RG 215 OHM+-1%TK100 1206 CHIP RESISTOR	0006.8961.00	ROEDERSTEI	D25	0843.3350.01
R28	RL 0,60W 2,74KOHM+-1%TK50 RESISTOR	RL 0083.0926.00	PHILIPS_CO	MRS 25	0843.3350.01
R29	RL 0,60W 16,9KOHM+-1%TK50 RESISTOR	RL 0083.1451.00	PHILIPS_CO	MRS 25	0843.3350.01
R30	RS 0,5W100KOHM+-10%10X10X CERMET POTENTIOMETER T	RS 0087.7583.00	BOURNS	3386F	0843.3350.01
R31	RL 0,60W 100KOHM+-1%TK50 RESISTOR	RL 0082.1764.00	RESISTA	MK2	0843.3350.01
R32	RG 2,0 KOHM+-1%TK100 1206 RESISTOR CHIP	RG 0007.5737.00	PHILIPS_CO	RC02	0843.3350.01
R34	RL 0,60W 681 KOHM+-1%TK50 RESISTOR	RL 0083.2735.00	PHILIPS_CO	MRS 25	0843.3350.01
R35	RL 0,60W 2,21KOHM+-1%TK50 RESISTOR	RL 0082.2477.00	RESISTA	MK2	0843.3350.01
R40	RL 0,60W 681 KOHM+-1%TK50 RESISTOR	RL 0083.2735.00	PHILIPS_CO	MRS 25	0843.3350.01
R41	RL 0,60W 68,1 OHM+-1%TK50 RESISTOR	RL 0082.9636.00	RESISTA	MK2	0843.3350.01
R42	RL 0,60W 15,0KOHM+-1%TK50 RESISTOR	RL 0083.1400.00	RESISTA	MK2	0843.3350.01
R43	RL 0,60W 681 KOHM+-1%TK50 RESISTOR	RL 0083.2735.00	PHILIPS_CO	MRS 25	0843.3350.01
R100 ..102	XX ENTHALTEN IN INCLUDED IN LEITERPLATTE/PCB				0843.3638.01
R200	XX ENTHALTEN IN INCLUDED IN LEITERPLATTE/PCB				0843.3609.01
R201	XX ENTHALTEN IN INCLUDED IN				0843.3609.01

095.0028-0693

MEZ15	790 3PLU	ÄI	Datum Date	Schaltteilliste für Parts list for	Sachnummer Stock No.	Blatt-Nr. Page
	ROHDE & SCHWARZ	35	03.05.99	BD AUSGANGS-VERSTAERKER OUTPUT AMPLIFIER	0843.3450.01 SA	3+

Für diese Unterlage behalten wir uns alle Rechte vor.

Kennz. Comp. No.	Benennung Designation	Sachnummer Stock No.	Hersteller Manufacturer	Bezeichnung Designation	enthalten in contained in
R202	LEITERPLATTE/PCB RL 0,40W 220 OHM2% UNGEW. RESISTOR	RL 0092.5991.00	DRALORIC	SMA 0204	0843.3609.01
R203	RL 0,40W 680 OHM2% UNGEW. RESISTOR	RL 0092.6052.00	DRALORIC	SMA 0204	0843.3609.01
R300 ..303	XX ENTHALTEN IN INCLUDED IN LEITERPLATTE/PCB				0843.3644.01
R304	RL 0,40W 470 OHM2% UNGEW. RESISTOR	RL 0092.6030.00	DRALORIC	SMA 0204	0843.3644.01
R305	XX ENTHALTEN IN INCLUDED IN LEITERPLATTE/PCB				0843.3644.01
R306	XX ENTHALTEN IN INCLUDED IN LEITERPLATTE/PCB				0843.3644.01
R307	RK HEISSEL 1KOHM,5% 0.7W THERMISTOR	0843.4905.00	SIEMENS	Q63082-M2102-J	0843.3644.01
R400 ..403	XX ENTHALTEN IN INCLUDED IN LEITERPLATTE/PCB				0843.3615.01
R404	RL 0,40W 1,0KOHM2% UNGEW. RESISTOR	RL 0092.6075.00	DRALORIC	SMA 0204	0843.3615.01
R405	XX ENTHALTEN IN INCLUDED IN LEITERPLATTE/PCB				0843.3615.01
R406	XX ENTHALTEN IN INCLUDED IN LEITERPLATTE/PCB				0843.3615.01
R407	RL 0,60W 2,00KOHM+-1%TK50 RESISTOR	RL 0083.0826.00	RESISTA	MK2	0843.3615.01
R408 ..411	XX ENTHALTEN IN INCLUDED IN LEITERPLATTE/PCB				0843.3615.01
R500	XX ENTHALTEN IN INCLUDED IN LEITERPLATTE/PCB				0843.3596.01
R502 ..506	XX ENTHALTEN IN INCLUDED IN LEITERPLATTE/PCB				0843.3596.01
R510	XX ENTHALTEN IN INCLUDED IN LEITERPLATTE/PCB				0843.3596.01
V1	AK BCX71J P 45V 200MA TRANSISTOR	AK 0007.2096.00	VALVO	BCX71J GEGURTET	0843.3350.01
V2	AD 1N4448 75V UDI DIODE	AD 0012.0700.00	PHILIPS_SE	1N4448 "	0843.3350.01
V5	AK BCX68-16 N 20V 1 A TRANSISTOR	AK 0801.8383.00	SIEMENS	BCX 68-16 (-C1865)	0843.3350.01
V6	AK BCX71J P 45V 200MA TRANSISTOR	AK 0007.2096.00	VALVO	BCX71J GEGURTET	0843.3350.01
V7	AD 1N4448 75V UDI DIODE	AD 0012.0700.00	PHILIPS_SE	1N4448 "	0843.3350.01
V10	AK BCX71J P 45V 200MA TRANSISTOR	AK 0007.2096.00	VALVO	BCX71J GEGURTET	0843.3350.01
V12	AD 1N4448 75V UDI DIODE	AD 0012.0700.00	PHILIPS_SE	1N4448 "	0843.3350.01
V15	AK BCX68-16 N 20V 1 A TRANSISTOR	AK 0801.8383.00	SIEMENS	BCX 68-16 (-C1865)	0843.3350.01
V16	AK BCX71J P 45V 200MA TRANSISTOR	AK 0007.2096.00	VALVO	BCX71J GEGURTET	0843.3350.01
V17	AD 1N4448 75V UDI DIODE	AD 0012.0700.00	PHILIPS_SE	1N4448 "	0843.3350.01
V20	AK BCX71J P 45V 200MA TRANSISTOR	AK 0007.2096.00	VALVO	BCX71J GEGURTET	0843.3350.01
V22	AD 1N4448 75V UDI DIODE	AD 0012.0700.00	PHILIPS_SE	1N4448 "	0843.3350.01
V25	AK BCX68-16 N 20V 1 A TRANSISTOR	AK 0801.8383.00	SIEMENS	BCX 68-16 (-C1865)	0843.3350.01
V26	AK BCX71J P 45V 200MA TRANSISTOR	AK 0007.2096.00	VALVO	BCX71J GEGURTET	0843.3350.01
V27	AD 1N4448 75V UDI DIODE	AD 0012.0700.00	PHILIPS_SE	1N4448 "	0843.3350.01
V30	AE BZX79/B5V6 0,5W ZDI ZENER DIODE	AE 0012.5254.00	VALVO	BZX79B5V6	0843.3350.01
V31	AE BZX79/B5V6 0,5W ZDI ZENER DIODE	AE 0012.5254.00	VALVO	BZX79B5V6	0843.3350.01


MEZ15	790 3PLU	ÄI	Datum Date	Schaltteilliste für Parts list for	Sachnummer Stock No.	Blatt-Nr. Page
		35	03.05.99	BD AUSGANGS-VERSTAERKER OUTPUT AMPLIFIER	0843.3450.01 SA	4+

095.0026-0693


Für diese Unterlage behalten
wir uns alle Rechte vor.

Kennz. Comp. No.	Benennung Designation	Sachnummer Stock No.	Hersteller Manufacturer	Bezeichnung Designation	enthalten in contained in
V32	AX BAT62 40V SCHOTTKY DIODE DIE	0850.6416.00	SIEMENS	BAT62 NACH R&S ZCHG.	0843.4105.01
V41	AX BAT62 40V SCHOTTKY DIODE DIE	0850.6416.00	SIEMENS	BAT62 NACH R&S ZCHG.	0843.4105.01
V50	AD 1N4448 75V UDI DIODE	AD 0012.0700.00	PHILIPS_SE	1N4448 "	0843.3350.01
V100 ..103	AX MA47389 PINDI.CHIP PIN DIODE CHIP	0093.2744.00	MA-COM	MA47389	0843.3638.01
V104	AX 1N4448 DIODE CHIP DIODE CHIP	0093.2067.00	TELEFUNKEN	1N4448	0843.3638.01
V105	AX 1N4448 DIODE CHIP DIODE CHIP	0093.2067.00	TELEFUNKEN	1N4448	0843.3638.01
V200	AK HXTR5104SEL N 24V TRANSISTOR	0339.8805.00	HEWLETT_PA	QXTR-5760	0843.3609.01
V300	AK HXTR5104SEL N 24V TRANSISTOR	0339.8805.00	HEWLETT_PA	QXTR-5760	0843.3644.01
V400	AK HXTR5104SEL N 24V TRANSISTOR	0339.8805.00	HEWLETT_PA	QXTR-5760	0843.3615.01
V500	AX 5082-0030 PINDI.CHIP PIN DIODE CHIP	0093.4124.00	HEWLETT_PA	5082-0030	0843.3596.01
V501	AE BZV55/C6V8 0,5W ZDI ZENER DIODE	AE 0006.9868.00	PHILIPS	BZV55/B6V8	0843.3596.01
V502	AX BAT62 40V SCHOTTKY DIODE DIE	0850.6416.00	SIEMENS	BAT62 NACH R&S ZCHG.	0843.3596.01
W16	DY KABEL W16 CABLE	0843.4040.00			
W69	NUR VAR/ONLY MOD: 04 DY KABEL W69 CABLE W69	0843.4086.00			
W244	NUR VAR/ONLY MOD: 03 DY KABEL W244 CABLE	0843.3338.00			
	NUR VAR/ONLY MOD: 02				
X240	FJ EINBAUBUCHSE SYST.SMA CONNECTOR SMA	FJ 0911.0357.00	SUHNER	22 SMA-50-0-17/111NH	
X241	FJ EINBAUBUCHSE SYST.SMA CONNECTOR SMA	FJ 0911.0357.00	SUHNER	22 SMA-50-0-17/111NH	
X242	FJ EINBAUBUCHSE SYST.SMA CONNECTOR SMA	FJ 0911.0357.00	SUHNER	22 SMA-50-0-17/111NH	
X243	FJ EINBAUST.H.DICHT SMC CONNECTOR SMC	FJ 0210.6378.00	BINDER	941-0 84 0005 00 02	
Z100	LD TIEFPASSFILTER LOWPASS FILTER	0843.3950.00			0843.3638.01
Z101	LD TIEFPASSFILTER LOWPASS FILTER	0843.3950.00			0843.3638.01
Z200	LD TIEFPASSFILTER LOWPASS FILTER	0843.3950.00			0843.3609.01
Z201	LD TIEFPASSFILTER LOWPASS FILTER	0843.3950.00			0843.3609.01
Z240 ..244	LD TIEFPASSFILTER LOWPASS FILTER	0843.3950.00			
Z300	LD TIEFPASSFILTER LOWPASS FILTER	0843.3950.00			0843.3644.01
Z301	LD TIEFPASSFILTER LOWPASS FILTER	0843.3950.00			0843.3644.01
Z400	LD TIEFPASSFILTER LOWPASS FILTER	0843.3950.00			0843.3615.01
Z401	LD TIEFPASSFILTER LOWPASS FILTER	0843.3950.00			0843.3615.01
Z500	LD TIEFPASSFILTER LOWPASS FILTER	0843.3950.00			0843.3596.01

095.0026-0693

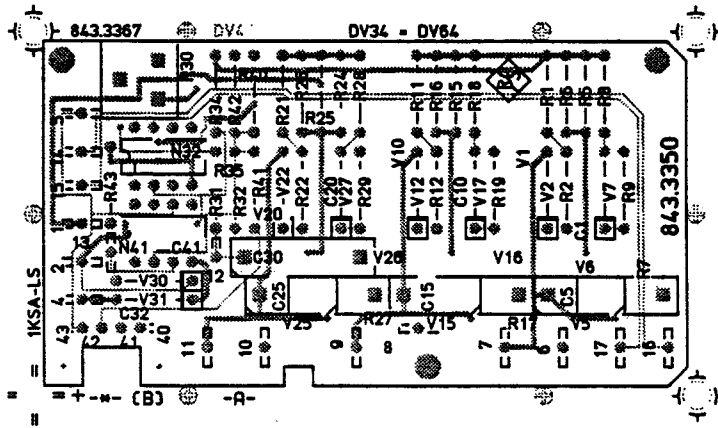
MEZ15	790 3PLU	ÄI	Datum Date	Schaltteilliste für Parts list for	Sachnummer Stock No.	Blatt-Nr. Page
	ROHDE & SCHWARZ	35	03.05.99	BD AUSGANGS-VERSTAERKER OUTPUT AMPLIFIER	0843.3450.01 SA	5-

Für diese Unterlage behalten wir uns alle Rechte vor.

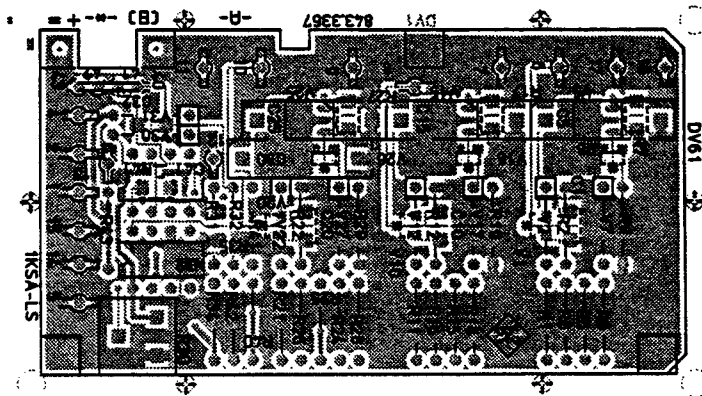
Kennz. Comp. No.	Benennung Designation	Sachnummer Stock No.	Hersteller Manufacturer	Bezeichnung Designation	enthalten in contained in	
A231	DT SUBSTRAT BP1 DUENNSCHICHT SPEZ.TEIL THIN-FILM SPEC.PART ZUEH.STROML./CIRC.DIAGRAM 843.3550 S	0843.3650.00				
A232	DT SUBSTRAT BP2 DUENNSCHICHT SPEZ.TEIL THIN-FILM SPEC.PART ZUEH.STROML./CIRC.DIAGRAM 843.3550 S	0843.3673.00				
A233	DT SUBSTRAT BP3 DUENNSCHICHT SPEZ.TEIL THIN-FILM SPEC.PART ZUEH.STROML./CIRC.DIAGRAM 843.3550 S	0843.3696.00				
C1 ..18	CC 150PF 10%100V NPO 0504 CAPACITOR	0093.3392.00	TEKELEC	101 R11 N 151 KP		
L1 ..14	LD 47NH 10%OR08 1,3A 1010 CHIP-COIL	0920.0033.00	STETTNER	5501 4702200		
R1 ..4	XX ENTHALTEN IN INCLUDED IN LEITERPLATTE/PCB					
V1 ..18	AX MA47389 PINDI.CHIP PIN DIODE CHIP	0093.2744.00	MA-COM	MA47389		
Z230 ..235	LD TIEFPASSFILTER LOWPASS FILTER	0843.3950.00				
MEZ15	790 3PLU	ÄI	Datum Date	Schaltteilliste für Parts list for	Sachnummer Stock No.	Blatt-Nr. Page
	ROHDE & SCHWARZ	08	03.05.99	BD FILTERMODUL FILTERMODULE	0843.3550.01 SA	1-

095.0026-0693

Ansicht und Leitungsführung Bauteilseite
View of tracks on component side



Ansicht und Leitungsführung Lötseite
View of tracks on solder side



Für diese Unterlage behalten wir uns alle Rechte vor

Inerzu HVC 290)



ACHTUNG: EGB!
Elektrostatisch gefährdete Bauelemente erfordern eine besondere Handhabung.
ATTENTION ESD!
Electrostatic sensitive devices require a special handling.

VARIANTENERKLÄRUNG / VERSION
VAR 02 - GRUNDAUSFÜHRUNG / BASIC MODEL

				Maße ohne Toleranzangabe		Maßstab 1 : 1			
						Halbzeug, Werkstoff			
				1KSA	Tag	Name	Benennung		
				Bearb	07.87	LS	AP - REGELUNG		
				Gepr.			OPERATING POINT CTRL		
				Norm			Z		
						Zeichn.-Nr		Blatt-Nr	
						843.3350.01 ED		3	
And Zust.	Anderungs-Mitteilung	Tag	Name	zu Gerät SMH		reg. i. V. 843.3009 V		erste Z	
								v Bi	

SO-Projektion
Methode E





ROHDE & SCHWARZ

SERVICEUNTERLAGEN

Option "Reference Oscillator, OCXO"

SMG-B1 802.0005.02

Printed in West Germany

ENGLISH SERVICE MANUAL FOLLOWS FIRST COLOURED DIVIDER

Inhaltsübersicht

		Seite
<u>5</u>	<u>Serviceanleitung Option "Reference Oscillator, OCXO[®] SMG-B1</u>	5.1
5.1	Funktionsbeschreibung	5.1
5.2	Prüfen und Abgleichen	5.1
5.3	Schnittstellen	5.2

Schaltteillisten
Stromläufe
Bestückungspläne

5.1 **Funktionsbeschreibung**

(Hierzu Stromläufe 802.0005 S und 802.0028 S)

Die Option "Reference Oscillator OCXO", SMG-B1 besteht im wesentlichen aus einem Baustein B1, der einen 10-MHz-Quarzoszillator mit Thermostat enthält. Die Referenzfrequenz steht an X101 mit TTL-Pegel zur Verfügung (mit FRN-Loop als Last ≈ 500 mV_{SS}). Um das Thermostat zu überwachen, ist eine Kontrollspannung herausgeführt, die vom Spannungsfolger N1 entkoppelt wird. Über die Spannungsstabilisierung V1,2 wird der Quarzoszillator in der Betriebsart REF EXT ausgeschaltet.

5.2 **Prüfen und Abgleichen**

Prüfen der Temperaturüberwachung

- An X100.A5 ein Voltmeter anschließen.
- Die Spannung muß nach dem Einschalten der Baugruppe ca. 4 V, nach 4 Minuten (bei 25° C) gleich 6 V $\pm 0,2$ V sein.

Prüfen des Ausgangssignals

- Mit Oszilloskop Signal an X101 messen.
- Sollpegel: 10 MHz, TTL ohne Last.

Prüfen der Abschaltung

- +5 V aus einem Netzgerät an X100.B4 anlegen.
- Das Ausgangssignal an X101 muß auf 0 V zurückgehen.

Abgleich der Referenzfrequenz

- Das Gerät 15 Minuten warmlaufen lassen.
- Frequenzzähler an X101 anschließen (Frequenzgenauigkeit $< 10^{-8}$).
- Mit dem Abgleichtrimmer an B1 auf 10 MHz ± 1 Hz abgleichen.

5.3 Schnittstellen

Analoge Schnittstellen

Anschluß	Funktion	Frequenz	Pegel
X101 X100.A5	10-MHz-Ausgang Thermostat- überwachung	10 MHz DC	TTL 6 V

Digitale Schnittstellen

Anschluß	Funktion	Bemerkung
X100.B4	OCXO ein/aus	0 $\hat{=}$ ein



ROHDE & SCHWARZ

SERVICE DOCUMENTS

Reference Oscillator Option OCXO

SMG-B1 802.0005.02

Contents

	Page
5	<u>Service Manual for Reference Oscillator Option</u>
	<u>OCXO SMG-B1</u> 5.1
5.1	Function Description 5.1
5.2	Checking and Adjustments 5.1
5.3	Interfaces 5.2

Component lists
Circuit diagrams
Component layout diagrams

5.1 Function Description

(See circuit diagrams 802.0005 S and 802.0028 S)

The reference oscillator module OCXO, SMG-B1 is essentially made up of the component B1 which contains a 10 MHz crystal oscillator with thermostat. The reference frequency is available at X101 with a TTL level (with FRN loop as load ≈ 500 mV_{pp}). In order to monitor the thermostat, a control voltage is available which is decoupled from the voltage follower N1. The crystal oscillator is switched off in the REF EXT mode via the voltage stabilization V1, 2.

5.2 Checking and Adjustments

Checking the temperature monitoring

- Connect a voltmeter to X100.A5.
- The voltage must be approx. 4 V after switching on the module and 6 V ± 0.2 V after 4 minutes (at 25 °C).

Checking the output signal

- Measure the signal at X101 using an oscilloscope.
- Correct level: 10 MHz, TTL without load.

Checking the switch-off

- Connect +5 V from a power supply unit to X100.B4.
- The output signal at X101 must return to 0 V.

Adjusting the reference frequency

- Warm-up the unit for 15 min.
- Connect frequency meter counter to X101 (frequency accuracy $< 10^{-8}$).
- Adjust with trimmer on B1 to 10 MHz ± 1 Hz.

5.3 Interfaces

Analog interfaces


Connection	Function	Frequency	Level
X101 X100.A5	10-MHz output Thermostat monitor	10 MHz DC	TTL 6 V

Digital interfaces

Connection	Function	Remarks
X100.B4	OCXO on/off	0 = on

Schalteillisten
Stromläufe
Bestückungspläne
Part lists
Circuit diagrams
Components plans
Listes des pièces détachées
Schémas de Circuit
Plans des composants

Für diese Unterlage behalten
wir uns alle Rechte vor.

Kennz. Comp. No.	Benennung Designation	Sachnummer Stock No.	Hersteller Manufacturer	Bezeichnung Designation	enthalten in contained in	
A10	ED REFERENCE OSCILLATOR ANBIETEN: SMG-B1 (ROBERT) NUR VAR/ONLY MOD: 02	0802.0028.02				
A10	ED REFERENCE OSCILLATOR NUR VAR/ONLY MOD: 04	0802.0028.04				
W8	DV HF-KABEL W8 RF CABLE W8	0802.0063.00				
MEZ15	790 3PLU	ÄI	Datum Date	Schalttailliste für Parts list for	Sachnummer Stock No.	Blatt-Nr. Page
	06	03.05.99	SMG-B1 REFERENCE OSCILLAT	0802.0005.01 SA	1-	

Für diese Unterlage behalten
wir uns alle Rechte vor.

Kennz. Comp. No.	Benennung Designation	Sachnummer Stock No.	Hersteller Manufacturer	Bezeichnung Designation	enthalten in contained in
B1	EO 10MHZ-QU.OSZ.OCXO 12V 10MHZ CRYSTAL OSCILLATOR NUR VAR/ONLY MOD: 02	0803.8980.00	QUARZKERAM	2100T-S151 (H)	
B1	EO 10MHZ-QU.OSZ.OCXO 12V 10MHZ CRYSTAL OSCILLATOR NUR VAR/ONLY MOD: 04	0803.8945.00	QUARZKERAM	2100T-S155	
C1	CC 10NF-20+50%7X8R4000 CAPACITOR	CC 0087.7525.00	VALVO	2222 640 51103	
C2	CK 100NF+-5%63VRD2,5H7MKT CAPACITOR	CK 0099.2930.00	SIEMENS	B 32 529-C104-J	
C3	CE 22UF+-20%63V RM5 ELECTROLYTIC CAPACITOR	0008.7433.00	PHILIPS_CO	2222 116 90111	
C5	CE 1,0UF+-20%35V 5X 4X 7 ELECTROLYTIC CAPACITOR	CE 0022.8185.00	KEMET	T340 A105M040 AS	
C6	CC 1NF+-10%63V K2000 CERAMIC CAPACITOR	CC 0022.0784.00	PHILIPS_CO	2222 630	
C8	CC 10NF-20+50%7X8R4000 CAPACITOR	CC 0087.7525.00	VALVO	2222 640 51103	
L1	LD 1,20UH10%0,180HMO,620A CHOKE	LD 0067.2870.00	DALE	IM2	
N1	BO LF411CN FET OPAMP OPERATIONAL AMPLIFIER	0349.3058.00	NSC	LF411CN	
R1	RL 0,60W 10,0 OHM+-1%TK50 RESISTOR	RL 0082.8852.00	PHILIPS_CO	MRS 25	
R2	RL 0,60W 825 OHM+-1%TK50 RESISTOR	RL 0082.2502.00	RESISTA	MK2	
R3	RL 0,60W 6,81KOHM+-1%TK50 RESISTOR	RL 0082.2560.00	RESISTA	MK2	
R4	RL 0,60W 4,75KOHM+-1%TK50 RESISTOR	RL 0083.1097.00	PHILIPS_CO	MRS 25	
R5	RL 0,60W 4,75KOHM+-1%TK50 RESISTOR	RL 0083.1097.00	PHILIPS_CO	MRS 25	
R9	RL 0,60W 100 OHM+-1%TK50 RESISTOR	RL 0082.6543.00	PHILIPS_CO	MRS 25	
V1	AL BD679 NPN 80V DARL TRANSISTOR	0339.4139.00	SIEMENS	BD679	
V2	AK BC337-40 N 45V 800MA TRANSISTOR	0303.9524.00	ITT	BC337-40	
X99	DY BUCHSENEINHEIT CONNECTOR UNIT	0802.0140.00			
X101	FJ EINBAUSTECKER F.GS SMB ANGLE CONNECTOR	FJ 0602.8804.00	ROSENBERGE	59S-206-400-D3	

095.0026-0693



ROHDE & SCHWARZ

08

03.05.99

ED REFERENCE OSCILLATOR

Schaltteilliste für
Parts list for

Sachnummer
Stock No.

0802.0028.01 SA

Blatt-Nr.
Page

1-



ROHDE & SCHWARZ

SERVICEUNTERLAGEN

Option "AF Synthesizer"

SMG-B2 802.0405.02

Printed in West Germany

ENGLISH SERVICE MANUAL FOLLOWS FIRST COLOURED DIVIDER

Inhaltsübersicht

	Seite
5	Serviceanleitung Option "AF Synthesizer" SMG-B2 5.1
5.1	Funktionsbeschreibung 5.1
5.1.1	NF-Generator 5.1
5.1.2	AM-/FM-Betriebsarteinstellung 5.2
5.2	Prüfen und Abgleichen 5.4
5.2.1	Prüfen der Addierstufen 5.4
5.2.2	Abgleich des NF-Pegels (R60) 5.5
5.2.3	Prüfen des Frequenzgangs und des Klirrfaktors ... 5.5
5.2.4	Einstellen des externen AF-Ausgangs (R217) 5.5
5.2.5	Prüfen des externen AF-Ausgangs 5.6
5.2.6	Prüfen der AM-/FM-Pegelüberwachung 5.6
5.2.7	Prüfen der AM-Betriebsarteinstellung 5.7
5.2.8	Prüfen der FM-Betriebsarteinstellung 5.7
5.3	Fehlersuche 5.8
5.4	Schnittstellen 5.10
	Schaltteillisten
	Stromläufe
	Bestückungspläne

5.1 Funktionsbeschreibung

(Hierzu Stromlauf 802.0411 S und Bild 5-1)

Die Option "AF Synthesizer" enthält einen digitalen NF-Generator sowie die Umschaltung für die AM- und FM-Betriebsart einschließlich einer Pegelüberwachung für externe Modulationssignale.

5.1.1 NF-Generator

Der digitale NF-Generator ist im Frequenzbereich 1 Hz...100 kHz einstellbar. Dabei beträgt die Auflösung 1 Hz bis 10 kHz und 10 Hz bis 100 kHz.

Kernstück des Synthesizers ist das Gate-Array D10, welches einen 20-bit-Addierer, einen 10:1-Teiler für die Taktfrequenz sowie eine Schnittstelle für die serielle Datenübertragung enthält. Mit einer Taktfrequenz von 1,04858 MHz wird dort ein Inkrement I addiert. Die höherwertigen 12-bit des Addierers stellen die Adressen für das Sinus-EPROM D20 dar. In diesem sind die Amplitudenwerte einer Periode der Sinusschwingung mit 12-bit-Auflösung gespeichert, wobei sich die niederwertigen 4 bit im oberen und die höherwertigen 8 bit im unteren Teil des Adreßbereichs befinden. D30 und D35 dienen zum Zwischenspeichern der Daten. Der nachfolgende D/A-Wandler D40 erzeugt nun ein treppenförmiges Sinussignal, dessen Einschwingvorgänge durch die anschließende Sample-and-Hold-Schaltung unterdrückt werden. Der aktive Tiefpaß N80 mit einer umschaltbaren Grenzfrequenz von 22 kHz und 110 kHz glättet das Ausgangssignal und unterdrückt die Taktfrequenz.

Aus der gewünschten NF-Frequenz für f_{AF} bestimmt sich das Inkrement I des Addierers nach folgender Formel:

$$I = f_{AF} \text{ [Hz]}.$$

Für den AF-Ausgang kann der Pegel mit einem 10-bit-D/A-Wandler D210 von 1...1000 mV mit einer Auflösung von 1 mV eingestellt werden. Das Datenwort P für den gewünschten Pegel U ergibt sich nach folgender Formel:

$$P = U_{AF} \text{ [mV]}.$$

5.1.2 AM-/FM-Betriebsarteinstellung

Der Eingangswiderstand für die externen Modulationseingänge kann mit den Brücken X10 bzw. X11 von 100 k Ω auf 600 Ω umgeschaltet werden. Für externe Modulationssignale sind zwei Überwachungsschaltungen vorgesehen, die aus einem Verstärker N110II, N150II mit nachfolgendem Spitzenwertgleichrichter bestehen. Die Gleichspannung wird zur Auswertung an den Rechner weitergeleitet.

Mit den FET-Schaltern D165, D170 bzw. D120, D130 kann zwischen den Betriebsarten AM INT/FM INT, AM EXT AC/FM EXT AC, AM EXT DC/FM EXT DC, AM/FM-Mischmodulation und AM/PM bzw. FM/FSK umgeschaltet werden. Bei den letzten beiden Betriebsarten wird mit N185 bzw. N145 das ansteuernde TTL-Signal in eine Spannung von 0/-1,41 V bzw. +1,41/-1,41 V umgewandelt.

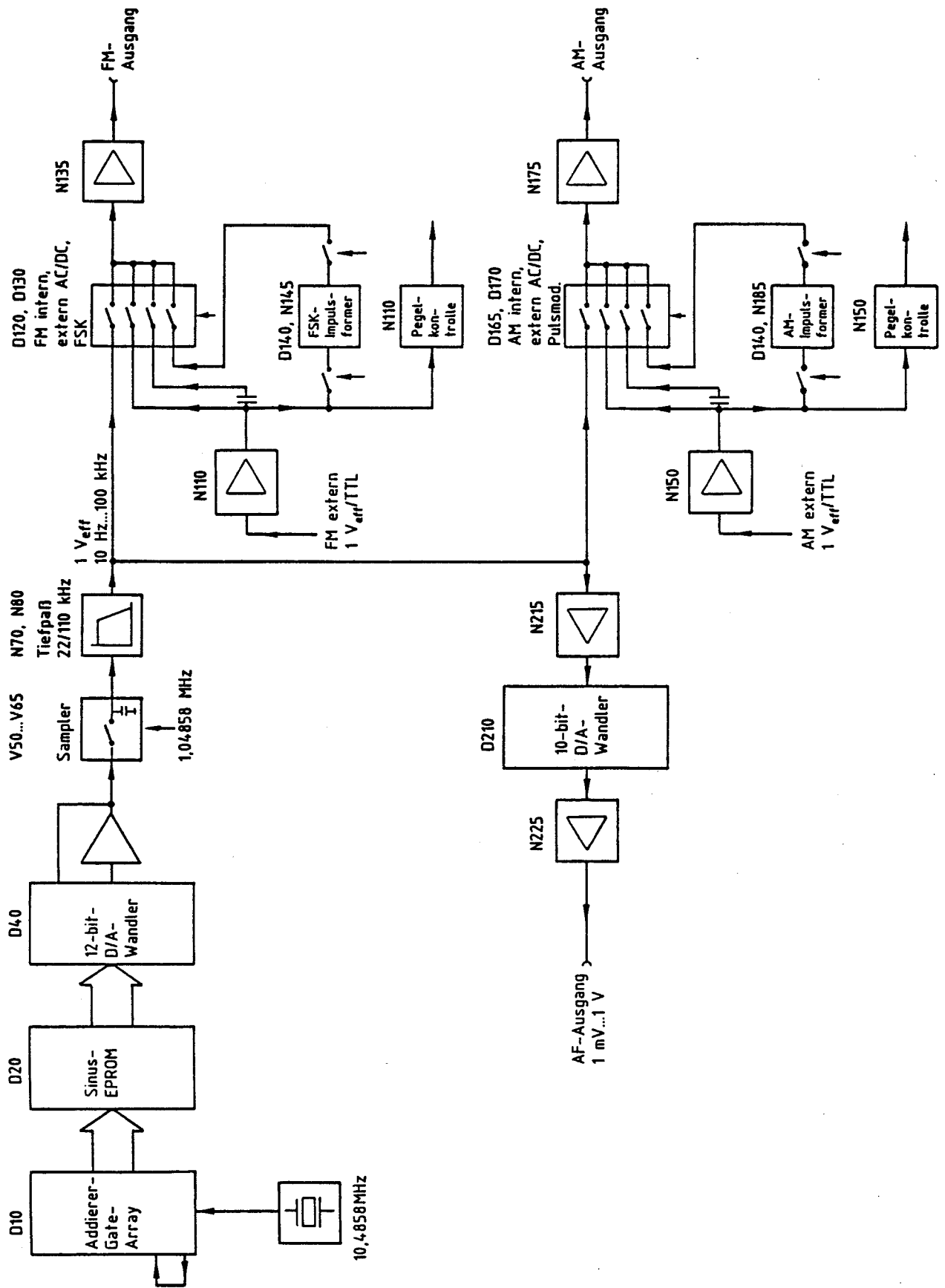


Bild 5-1 Blockschaltbild AF Synthesizer

5.2 Prüfen und Abgleichen

5.2.1 Prüfen der Addierstufen

→ Das Ausgangssignal des Addierers D10 nach Tabelle 5-1 prüfen.

Tabelle 5-1

Frequenzeinstellung/ f_{AF}	Meßpunkt	Periodendauer/ μs
1 Hz	D10.15	488
2 Hz	D10.15	244
4 Hz	D10.15	122
8 Hz	D10.15	61
16 Hz	D10.16	61
32 Hz	D10.17	61
64 Hz	D10.19	61
128 Hz	D10.20	61
256 Hz	D10.21	61
512 Hz	D10.22	61
1,024 kHz	D10.23	61
2,048 kHz	D10.24	61
4,096 kHz	D10.25	61
8,192 kHz	D10.26	61
16,384 kHz	D10.27	61
32,768 kHz	D10.27	30,5
65,536 kHz	D10.27	15,25

5.2.2 Abgleich des NF-Pegels (R60)

→ NF-Voltmeter ($R_i > 1 \text{ M}\Omega$) mit Adapterkabel aus Servicekit an X13 anschließen.

→ Bei $f_{AF} = 1 \text{ kHz}$ mit R60 auf $1000 \pm 1 \text{ mV}$ abgleichen.

5.2.3 Prüfen des Frequenzgangs und des Klirrfaktors

- NF-Analysator (bzw. NF-Voltmeter und Klirrfaktormesser) mit Serviceadapterkabel an X13 anschließen.
- Bei verschiedenen NF-Frequenzen Frequenzgang und Klirrfaktor prüfen.

Tabelle 5-2

Einstellung f_{AF}/kHz	$\Delta U/\%$	$k/\%$
1	<0,1	<0,05
8	<1,5	<0,05
12	<1,5	<0,05
16	<1,5	<0,05
19,9	<1,5	<0,05
20,1	<2,5	<0,1
40	<2,5	<0,1
50	<2,5	<0,1
60	<2,5	<0,1
70	<2,5	<0,1
80	<2,5	<0,1
90	<2,5	<0,1
99,99	<2,5	<0,1

5.2.4 Einstellen des externen AF-Ausgangs (R217)

- NF-Voltmeter an Buchse X2 (AF) anschließen.
- Bei $f_{AF} = 1 \text{ kHz}$ und $U_{AF} = 1000 \text{ mV}$ mit R217 auf $1000 \pm 6 \text{ mV}$ abgleichen.

5.2.5 Prüfen des externen AF-Ausgangs

- NF-Voltmeter an Buchse X2 anschließen.
- Für verschiedene AF-Pegel und $f_{AF} = 1$ kHz die Ausgangsspannung messen.

Tabelle 5-3

Einstellung SMG U_{AF}/mV	Pegel/mV
512	512 ±2
256	256 ±2
128	128 ±1
64	64 ±1
32	32 ±0,5
16	16 ±0,5
8	8 ±0,5
4	4 ±0,5
2	2 ±0,5
1	1 ±0,5

5.2.6 Prüfen der AM-/FM-Pegelüberwachung

- NF-Generator 1 kHz, 1 V_{eff} an Buchse X3 (AM EXT) anschließen.
Die Gleichspannung an P16 soll 2,5 ±0,03 V betragen.

Die FM-Pegelüberwachung wird entsprechend geprüft.



ROHDE & SCHWARZ

SERVICE DOCUMENTS

AF Synthesizer Option

SMG-B2 802.0405.02

Contents

	Page
5	Service Manual for AF Synthesizer Option SMG-B2 5.1
5.1	Function Description 5.1
5.1.1	AF Generator 5.1
5.1.2	AM/FM Mode Setting 5.2
5.2	Checking and Adjustments 5.4
5.2.1	Checking the Adding Stages 5.4
5.2.2	Adjustment of the AF Level (R60) 5.5
5.2.3	Checking the Frequency Response and the Distortion 5.5
5.2.4	Adjustment of External AF Output (R217) 5.5
5.2.5	Checking the External AF Output 5.6
5.2.6	Checking the AM/FM Level Monitoring 5.6
5.2.7	Checking the AM Mode Setting 5.7
5.2.8	Checking the FM Mode Setting 5.7
5.3	Troubleshooting 5.8
5.4	Interfaces 5.10

Component lists
Circuit diagrams
Component layout diagrams

5.1 Function Description

(See circuit diagram 802.0411 S and Fig. 5-1)

The AF synthesizer option contains a digital AF generator and the selector for AM/FM mode including level monitoring for external modulation signals.

5.1.1 AF Generator

The digital AF generator can be adjusted in the frequency range from 1 Hz to 100 kHz. The resolution is 1 Hz up to 10 kHz and 10 Hz up to 100 kHz.

The main component of the synthesizer is the gate array D10 which contains a 20-bit adder, a 10:1 divider for the clock frequency and an interface for serial data transmission. An increment I is added at the gate array at a clock frequency of 1.04858 MHz. The most significant 12 bits of the adder represent the addresses for the sine EPROM D20 which stores the amplitudes of one cycle of the sine wave with a resolution of 12 bit. The least significant 4 bits are located in the upper part of the address area and the most significant 8 bits in the lower part. D30 and D35 are used for intermediate storage of the data. The subsequent D/A converter D40 then generates a staircase sine wave signal whose transient is suppressed by the subsequent sample-and-hold circuit. The active lowpass N80 with a selectable cut-off frequency of 22 kHz and 110 kHz smoothens the output signal and suppresses the clock frequency.

The increment I of the adder is determined from the desired AF frequency for f_{AF} according to the following formula:

$$I = f_{AF} \text{ [Hz]}$$

The level for the AF output can be adjusted from 1 to 1000 mV with a resolution of 1 mV using a 10-bit D/A converter D210. The data word p for the required level V is produced according to the following formula:

$$P = U_{AF} \text{ [mV]}$$

5.1.2 AM/FM Mode Setting

The input resistance for the external modulation inputs can be switched over from 100 k Ω to 600 Ω using the jumpers X10 and X11. Two monitoring circuits are provided for external modulation signals and consist of an amplifier N110II, N150II with subsequent peak-value rectifier. The rectified voltage is passed on to the controller for evaluation.

The FET switches D165, D170 or D120, D130 can be used to switch between the modes AM INT/FM INT, AM EXT AC/FM EXT AC, AM EXT DC/FM EXT DC, AM/FM mixed modulation and AM/PM or FM/FSK. In the latter two cases the controlled TTL signal is converted into a voltage of 0/-1.41 V or +1.41/-1.41 V using N185 or N145.

5.2 Checking and Adjustments

5.2.1 Checking the Adding Stages

→ Check the output signal from adder D10 according to Table 5-1.

Table 5-1

Frequency setting/ f_{AF}	Test point	Periode/ μs
1 Hz	D10.15	488
2 Hz	D10.15	244
4 Hz	D10.15	122
8 Hz	D10.15	61
16 Hz	D10.16	61
32 Hz	D10.17	61
64 Hz	D10.19	61
128 Hz	D10.20	61
256 Hz	D10.21	61
512 Hz	D10.22	61
1.024 kHz	D10.23	61
2.048 kHz	D10.24	61
4.096 kHz	D10.25	61
8.192 kHz	D10.26	61
16.384 kHz	D10.27	61
32.768 kHz	D10.27	30.5
65.536 kHz	D10.27	15.25

5.2.2 Adjustment of the AF Level (R60)

→ Connect AF voltmeter ($Z_{out} > 1 M\Omega$) to X13 using the adapter cable from the service kit.

→ With $f_{AF} = 1 \text{ kHz}$ adjust to $1000 \pm 1 \text{ mV}$ using R60.

5.2.3 Checking the Frequency Response and the Distortion

- Connect the AF analyzer (or AF voltmeter and distortion meter) to X13 using the service adapter cable.
- Check the frequency response and distortion at various AF frequencies.

Table 5-2

Setting f_{AF}/kHz	$\Delta V/\%$	$d/\%$
1	<0.1	<0.05
8	<1.5	<0.05
12	<1.5	<0.05
16	<1.5	<0.05
19.9	<1.5	<0.05
20.1	<2.5	<0.1
40	<2.5	<0.1
50	<2.5	<0.1
60	<2.5	<0.1
70	<2.5	<0.1
80	<2.5	<0.1
90	<2.5	<0.1
99.99	<2.5	<0.1

5.2.4 Adjustment of External AF Output (R217)

- Connect AF voltmeter to connector X2 (AF).
- With $f_{AF} = 1 \text{ kHz}$ and $V_{AF} = 1000 \text{ mV}$ adjust to $1000 \pm 6 \text{ mV}$ using R217.

5.2.5 Checking the External AF Output

- Connect AF voltmeter to connector X2.
- Measure the output voltage at various AF levels and $f_{AF} = 1$ kHz.

Table 5-3

SMG setting V_{AF}/mV	Level/mV
512	512 ±2
256	256 ±2
128	128 ±1
64	64 ±1
32	32 ±0.5
16	16 ±0.5
8	8 ±0.5
4	4 ±0.5
2	2 ±0.5
1	1 ±0.5

5.2.6 Checking the AM/FM Level Monitoring

- Connect AF generator with 1 kHz, 1 V_{rms} to connector X3 (AM EXT). The DC voltage at P16 should be 2.5 ± 0.03 V.

Test the FM level monitoring in a similar manner.



ROHDE & SCHWARZ

Schalteillisten

Stromläufe

Bestückungspläne

Part lists

Circuit diagrams

Components plans

Listes des pièces détachées


Schémas de Circuit

Plans des composants

Für diese Unterlage behalten wir uns alle Rechte vor.


Kennz. Comp. No.	Benennung Designation	Sachnummer Stock No.	Hersteller Manufacturer	Bezeichnung Designation	enthalten in contained in
B1	EQ 10,485800MHZ CL30HC43U QUARTZ CRYSTAL UNIT	0091.8345.00	PHILIPS	N. R&S SACHNUMMER	
C1	CC 56PF+-2%5X6NPO CAPACITOR	CC 0087.6512.00	PHILIPS_CO	2222 678	
C2	CC 100PF+-2%6X9NPO CAPACITOR	CC 0087.6541.00	PHILIPS_CO	2222 678	
C3	CC 100PF+-2%6X9NPO CAPACITOR	CC 0087.6541.00	PHILIPS_CO	2222 678	
C4	CC 1NF+-10%63V K2000 CERAMIC CAPACITOR	CC 0022.0784.00	PHILIPS_CO	2222 630	
C5	CK 100NF+-5%63VRD2,5H7MKT CAPACITOR	CK 0099.2930.00	SIEMENS	B 32 529-C104-J	
C6	CK 100NF+-5%63VRD2,5H7MKT CAPACITOR	CK 0099.2930.00	SIEMENS	B 32 529-C104-J	
C7	CK 100NF+-5%63VRD2,5H7MKT CAPACITOR	CK 0099.2930.00	SIEMENS	B 32 529-C104-J	
C8	CC 10NF-20+50%7X8R4000 CAPACITOR	CC 0087.7525.00	VALVO	2222 640 51103	
C9	CC 1NF+-10%63V K2000 CERAMIC CAPACITOR	CC 0022.0784.00	PHILIPS_CO	2222 630	
C10	CK 100NF+-5%63VRD2,5H7MKT CAPACITOR	CK 0099.2930.00	SIEMENS	B 32 529-C104-J	
C11	CC 100PF+-2%6X9NPO CAPACITOR	CC 0087.6541.00	PHILIPS_CO	2222 678	
C12	CC 100PF+-2%6X9NPO CAPACITOR	CC 0087.6541.00	PHILIPS_CO	2222 678	
C13	CC 100PF+-2%6X9NPO CAPACITOR	CC 0087.6541.00	PHILIPS_CO	2222 678	
.. 16					
C17	CC 1NF+-10%63V K2000 CERAMIC CAPACITOR	CC 0022.0784.00	PHILIPS_CO	2222 630	
C20	CE 100UF+-20%35V RM5 ELECTROLYTIC CAPACITOR	0008.7510.00	PHILIPS_CO	2222 116 90042	
C25	CK 100NF+-5%63VRD2,5H7MKT CAPACITOR	CK 0099.2930.00	SIEMENS	B 32 529-C104-J	
C30	CK 100NF+-5%63VRD2,5H7MKT CAPACITOR	CK 0099.2930.00	SIEMENS	B 32 529-C104-J	
C35	CK 100NF+-5%63VRD2,5H7MKT CAPACITOR	CK 0099.2930.00	SIEMENS	B 32 529-C104-J	
C40	CK 100NF+-5%63VRD2,5H7MKT CAPACITOR	CK 0099.2930.00	SIEMENS	B 32 529-C104-J	
C41	CK 100NF+-5%63VRD2,5H7MKT CAPACITOR	CK 0099.2930.00	SIEMENS	B 32 529-C104-J	
C42	CK 100NF+-5%63VRD2,5H7MKT CAPACITOR	CK 0099.2930.00	SIEMENS	B 32 529-C104-J	
C45	CK 100NF+-5%63VRD2,5H7MKT CAPACITOR	CK 0099.2930.00	SIEMENS	B 32 529-C104-J	
C47	CC 82PF+-2%6X7NPO CAPACITOR	CC 0087.6535.00	PHILIPS_CO	2222 678 10 829	
C48	CC 56PF+-2%5X6NPO CAPACITOR	CC 0087.6512.00	PHILIPS_CO	2222 678	
C49	CC 6,8PF+-0,25PF3X4NPO CAPACITOR	CC 0087.6406.00	PHILIPS_CO	2222 678	
C51	CK 100NF+-5%63VRD2,5H7MKT CAPACITOR	CK 0099.2930.00	SIEMENS	B 32 529-C104-J	
C53	CC 6,8PF+-0,25PF3X4NPO CAPACITOR	CC 0087.6406.00	PHILIPS_CO	2222 678	
C61	CC 10PF+-0,25PF3X4N750 CAPACITOR	CC 0087.6787.00	PHILIPS_CO	2222 678 57109	
C64	CC 220PF+-2%6X7N750 CAPACITOR	CC 0087.6941.00	PHILIPS_CO	2222 678 58221	
C66	CC 6,8PF+-0,25PF3X4NPO CAPACITOR	CC 0087.6406.00	PHILIPS_CO	2222 678	
C70	CK 100NF+-5%63VRD2,5H7MKT CAPACITOR	CK 0099.2930.00	SIEMENS	B 32 529-C104-J	
C71	CK 100NF+-5%63VRD2,5H7MKT CAPACITOR	CK 0099.2930.00	SIEMENS	B 32 529-C104-J	
C72	CK 4,7NF+-1%63V6,3X11 KP PLASTIC-FOIL CAPACITOR	CK 0283.1701.00	SIEMENS	B33531-A5472-F	
C73	CK 18NF+-1%63V7,50AX13 KP CAPACITOR	CK 0099.1933.00	SIEMENS	B33531-A5183-F	
C74	CK 330PF+-1%63V6,3X11 KP PLASTC-FOIL CAPACITOR	CK 0283.1647.00	SIEMENS	B33531-A5331-F	
C75	CK 4,7NF+-1%63V6,3X11 KP PLASTIC-FOIL CAPACITOR	CK 0283.1701.00	SIEMENS	B33531-A5472-F	
C76	CK 18NF+-1%63V7,50AX13 KP CAPACITOR	CK 0099.1933.00	SIEMENS	B33531-A5183-F	

095.0026-0693

MEZ 15	790 3PLU	Äi	Datum Date	Schaltteilliste für Parts list for	Sachnummer Stock No.	Blatt-Nr. Page
		31	03.05.99	ED AF-SYNTHESIZER	0802.0411.01 SA	1+


Wir uns alle Rechte vor.

Kennz. Comp. No.	Benennung Designation	Sachnummer Stock No.	Hersteller Manufacturer	Bezeichnung Designation	enthalten in contained in
C77	CK 330PF+-1%63V6,3X11 KP PLASTC-FOIL CAPACITOR	CK 0283.1647.00	SIEMENS	B33531-A5331-F	
C78	CC 5,6PF+-0,25PF3X4NPO CAPACITOR	CC 0087.6393.00	PHILIPS_CO	2222 678	
C79	CC 2,7PF+-0,25PF3X4NPO CERAMIC CAPACITOR	CC 0087.6358.00	PHILIPS_CO	2222 678	
C80	CK 100NF+-5%63VRD2,5H7MKT CAPACITOR	CK 0099.2930.00	SIEMENS	B 32 529-C104-J	
C81	CK 100NF+-5%63VRD2,5H7MKT CAPACITOR	CK 0099.2930.00	SIEMENS	B 32 529-C104-J	
C83	CK 1UF+-5%50V7,5X5,5X10,5 CAPACITOR	CK 0099.2998.00	SIEMENS	B32529-C5105-J189	
C101	CE 47UF+-20%63V RM5 ELECTROLYTIC CAPACITOR	0008.7440.00	PHILIPS_CO	2222 116 90112	
C102	CK 100NF+-5%63VRD2,5H7MKT CAPACITOR	CK 0099.2930.00	SIEMENS	B 32 529-C104-J	
C103	CK 220NF+-5%63VRD3,5H9MKT CAPACITOR	CK 0099.2952.00	SIEMENS	B 32 529-A224-J	
C105	CC 150PF+-2%6X9N150 CAPACITOR	CC 0087.6735.00	PHILIPS_CO	2222 678 34151	
C109	NUR VAR/ONLY MOD: 04 CK 100NF+-5%63VRD2,5H7MKT CAPACITOR	CK 0099.2930.00	SIEMENS	B 32 529-C104-J	
C111	CE 10UF+-20% 63V RM5BIPOL ELECTROLYTIC CAPACITOR	CE 0008.9742.00	PHILIPS_CO	2222 036 92103	
C120	CK 100NF+-5%63VRD2,5H7MKT CAPACITOR	CK 0099.2930.00	SIEMENS	B 32 529-C104-J	
C121	CC 10NF-20+50%7X8R4000 CAPACITOR	CC 0087.7525.00	VALVO	2222 640 51103	
C122	CK 100NF+-5%63VRD2,5H7MKT CAPACITOR	CK 0099.2930.00	SIEMENS	B 32 529-C104-J	
C130	CK 100NF+-5%63VRD2,5H7MKT CAPACITOR	CK 0099.2930.00	SIEMENS	B 32 529-C104-J	
C131	CC 10NF-20+50%7X8R4000 CAPACITOR	CC 0087.7525.00	VALVO	2222 640 51103	
C132	CK 100NF+-5%63VRD2,5H7MKT CAPACITOR	CK 0099.2930.00	SIEMENS	B 32 529-C104-J	
C133	CC 4,7PF+-0,25PF3X4NPO CAPACITOR	CC 0087.6387.00	PHILIPS_CO	2222 678	
C134	CK 100NF+-5%63VRD2,5H7MKT CAPACITOR	CK 0099.2930.00	SIEMENS	B 32 529-C104-J	
C135	CK 100NF+-5%63VRD2,5H7MKT CAPACITOR	CK 0099.2930.00	SIEMENS	B 32 529-C104-J	
C140	CK 100NF+-5%63VRD2,5H7MKT CAPACITOR	CK 0099.2930.00	SIEMENS	B 32 529-C104-J	
C144	CK 100NF+-5%63VRD2,5H7MKT CAPACITOR	CK 0099.2930.00	SIEMENS	B 32 529-C104-J	
C145	CK 100NF+-5%63VRD2,5H7MKT CAPACITOR	CK 0099.2930.00	SIEMENS	B 32 529-C104-J	
C146	CC 470PF+-10%3X4R2000 CAPACITOR	CC 0087.6993.00	PHILIPS_CO	2222 630 51471	
C149	CC 1,8NF+-10%4X5R2000 CAPACITOR	CC 0087.7054.00	PHILIPS_CO	2222 630 01182	
C150	CK 100NF+-5%63VRD2,5H7MKT CAPACITOR	CK 0099.2930.00	SIEMENS	B 32 529-C104-J	
C151	CE 47UF+-20%63V RM5 ELECTROLYTIC CAPACITOR	0008.7440.00	PHILIPS_CO	2222 116 90112	
C152	CK 220NF+-5%63VRD3,5H9MKT CAPACITOR	CK 0099.2952.00	SIEMENS	B 32 529-A224-J	
C160	CK 100NF+-5%63VRD2,5H7MKT CAPACITOR	CK 0099.2930.00	SIEMENS	B 32 529-C104-J	
C161	CE 10UF+-20% 63V RM5BIPOL ELECTROLYTIC CAPACITOR	CE 0008.9742.00	PHILIPS_CO	2222 036 92103	
C165	CK 100NF+-5%63VRD2,5H7MKT CAPACITOR	CK 0099.2930.00	SIEMENS	B 32 529-C104-J	
C166	CC 10NF-20+50%7X8R4000 CAPACITOR	CC 0087.7525.00	VALVO	2222 640 51103	
C167	CK 100NF+-5%63VRD2,5H7MKT CAPACITOR	CK 0099.2930.00	SIEMENS	B 32 529-C104-J	
C170	CK 100NF+-5%63VRD2,5H7MKT CAPACITOR	CK 0099.2930.00	SIEMENS	B 32 529-C104-J	
C171	CC 10NF-20+50%7X8R4000 CAPACITOR	CC 0087.7525.00	VALVO	2222 640 51103	
C172	CK 100NF+-5%63VRD2,5H7MKT CAPACITOR	CK 0099.2930.00	SIEMENS	B 32 529-C104-J	
C175	CK 100NF+-5%63VRD2,5H7MKT CAPACITOR	CK 0099.2930.00	SIEMENS	B 32 529-C104-J	

MEZ15	790 3PLU	ÄI	Datum Date	Schaltteilliste für Parts list for	Sachnummer Stock No.	Blatt-Nr. Page
		31	03.05.99	ED AF-SYNTHESIZER	0802.0411.01 SA	2+

095.0026-0693


Für diese Unterlage behalten
wir uns alle Rechte vor.

Kennz. Comp. No.	Benennung Designation	Sachnummer Stock No.	Hersteller Manufacturer	Bezeichnung Designation	enthalten in contained in	
C178	CK 100NF+-5%63VRD2,5H7MKT CAPACITOR	CK 0099.2930.00	SIEMENS	B 32 529-C104-J		
C179	CC 4,7PF+-0,25PF3X4NPO CAPACITOR	CC 0087.6387.00	PHILIPS_CO	2222 678		
C182	CC 3,3PF+-0,25PF3X4NPO CAPACITOR	CC 0087.6364.00	PHILIPS_CO	2222 678		
C185	CK 100NF+-5%63VRD2,5H7MKT CAPACITOR	CK 0099.2930.00	SIEMENS	B 32 529-C104-J		
C186	CK 100NF+-5%63VRD2,5H7MKT CAPACITOR	CK 0099.2930.00	SIEMENS	B 32 529-C104-J		
C205	CK 100NF+-5%63VRD2,5H7MKT CAPACITOR	CK 0099.2930.00	SIEMENS	B 32 529-C104-J		
C210	CK 100NF+-5%63VRD2,5H7MKT CAPACITOR	CK 0099.2930.00	SIEMENS	B 32 529-C104-J		
C215	CK 100NF+-5%63VRD2,5H7MKT CAPACITOR	CK 0099.2930.00	SIEMENS	B 32 529-C104-J		
C216	CK 100NF+-5%63VRD2,5H7MKT CAPACITOR	CK 0099.2930.00	SIEMENS	B 32 529-C104-J		
C220	CK 100NF+-5%63VRD2,5H7MKT CAPACITOR	CK 0099.2930.00	SIEMENS	B 32 529-C104-J		
C221	CK 100NF+-5%63VRD2,5H7MKT CAPACITOR	CK 0099.2930.00	SIEMENS	B 32 529-C104-J		
C223	CC 15PF+-2%3X4NPO CAPACITOR	CC 0087.6441.00	PHILIPS_CO	2222 678		
C230	CK 100NF+-5%63VRD2,5H7MKT CAPACITOR	CK 0099.2930.00	SIEMENS	B 32 529-C104-J		
C232	CC 100PF+-2%6X9NPO CAPACITOR	CC 0087.6541.00	PHILIPS_CO	2222 678		
C233	CC 100PF+-2%6X9NPO CAPACITOR	CC 0087.6541.00	PHILIPS_CO	2222 678		
C240	CC 10NF-20+50%7X8R4000 CAPACITOR	CC 0087.7525.00	VALVO	2222 640 51103		
C241	CE 47UF+-20%63V RM5 ELECTROLYTIC CAPACITOR	0008.7440.00	PHILIPS_CO	2222 116 90112		
C242	CC 10NF-20+50%7X8R4000 CAPACITOR	CC 0087.7525.00	VALVO	2222 640 51103		
C245	CC 10NF-20+50%7X8R4000 CAPACITOR	CC 0087.7525.00	VALVO	2222 640 51103		
C246	CE 47UF+-20%63V RM5 ELECTROLYTIC CAPACITOR	0008.7440.00	PHILIPS_CO	2222 116 90112		
C247	CC 10NF-20+50%7X8R4000 CAPACITOR	CC 0087.7525.00	VALVO	2222 640 51103		
C250	CC 10NF-20+50%7X8R4000 CAPACITOR	CC 0087.7525.00	VALVO	2222 640 51103		
C251	CE 100UF+-20%35V RM5 ELECTROLYTIC CAPACITOR	0008.7510.00	PHILIPS_CO	2222 116 90042		
C252	CC 10NF-20+50%7X8R4000 CAPACITOR	CC 0087.7525.00	VALVO	2222 640 51103		
D5	BL PC74HCTOOP 4X2IN.NAND QUAD 2-INPUT NAND GATE	0571.3394.00	PHILIPS_SE	(PC)74HCT00(N)		
D10	BG CLA2116 ADDER1 ASIC GATE ARRAY	0801.8183.00	PLESSEY	CLA2116		
D20	BC SOFTW.N.BESTUECKUNGSP SOFTW. SEE COMPONENTSPLAN 802.0411 BP	0092.9574.90				
D25	BL MM74HC175N 4XD-FF CL. QUAD D-FLIP-FLOP	0099.9528.00	PHILIPS_SE	(PC)74HC175N(P)		
D30	BL MM74HC175N 4XD-FF CL. QUAD D-FLIP-FLOP	0099.9528.00	PHILIPS_SE	(PC)74HC175N(P)		
D35	BL MM74HC273N 8XD-FF/REG OCTAL D-FLIPFLOP	0099.9611.00	PHILIPS_SE	(PC)74HC273N(P)		
D40	BJ DAC80-CPI-I 1X12B-DAC D/A-CONVERTER	0300.6330.00	BURR_BROWN	DAC80CBI-I		
D45	BL SN74LS123N 2/MONOFLOP IC MONOFLOP SN74LS85N	0235.8468.00	TEXAS	SN74LS123N		
D120	BS DG211CJ 4X ANALOGSCH ANALOG SWITCH	0801.8260.00	SILICONIX	DG211CJ		
D130	BS DG211CJ 4X ANALOGSCH ANALOG SWITCH	0801.8260.00	SILICONIX	DG211CJ		
D140	BL MM74HC132N 4X2IN.NAND QUAD 2INP.NAND SCHMITT TR	0099.9557.00	PHILIPS_SE	(PC)74HC132N(P)		
D165	BS DG211CJ 4X ANALOGSCH ANALOG SWITCH	0801.8260.00	SILICONIX	DG211CJ		
D170	BS DG211CJ 4X ANALOGSCH ANALOG SWITCH	0801.8260.00	SILICONIX	DG211CJ		
D200	BL PC74HC4094P 8ST.SH.REG 8-STAGE SHIFT&STORE REG.	0099.9711.00	PHILIPS_SE	(PC)74HC4094N(P)		
MEZ15	790 3PLU	ÄI	Datum Date	Schaltteilliste für Parts list for	Sachnummer Stock No.	Blatt-Nr. Page
	ROHDE & SCHWARZ	31	03.05.99	ED AF-SYNTHESIZER	0802.0411.01 SA	3+

095.0026-0693

Kennz. Comp. No.	Benennung Designation	Sachnummer Stock No.	Hersteller Manufacturer	Bezeichnung Designation	enthalten in contained in
D205	BL PC74HC4094P 8ST.SH.REG 8-STAGE SHIFT&STORE REG.	0099.9711.00	PHILIPS_SE	(PC)74HC4094N(P)	
D210	BJ AD7533CQ 1X10B-DAC D/A-CONVERTER	BJ 0300.8740.00	ANALOG_DEV	AD7533CQ(CD)	
D225	BL MM74HC4051N 8CH.AN.MUX 8CH.ANALOG MUX/DEMUX	0099.9670.00	PHILIPS	(PC)74HC4051N(P)	
D230	BL PC74HC4094P 8ST.SH.REG 8-STAGE SHIFT&STORE REG.	0099.9711.00	PHILIPS_SE	(PC)74HC4094N(P)	
D235	BL PC74HCT00P 4X2IN.NAND QUAD 2-INPUT NAND GATE	0571.3394.00	PHILIPS_SE	(PC)74HCT00(N)	
L7	LD 10 UH 10% 3R3 144 MA CHOKE	LD 0026.4184.00	DALE	IM2	
L240	LD 1,20UH10%,180HMO,620A CHOKE	LD 0067.2870.00	DALE	IM2	
L245	LD 1,20UH10%,180HMO,620A CHOKE	LD 0067.2870.00	DALE	IM2	
L250	LD 1,20UH10%,180HMO,620A CHOKE	LD 0067.2870.00	DALE	IM2	
N60	BO LF411CN FET OPAMP OPERATIONAL AMPLIFIER	0349.3058.00	NSC	LF411CN	
N70	BO LF411CN FET OPAMP OPERATIONAL AMPLIFIER	0349.3058.00	NSC	LF411CN	
N80	BO SE5534AFE LN OPAMP OPERATIONAL AMPLIFIER	0301.3335.00	SIGNETICS	SE5534AFE	
N90	BO RC4558DN 2X OPAMP OPERATIONAL AMPLIFIER	BO 0475.1672.00	TEXAS_INST	RC4558P	
N110	BO LF412CN 2XFET OPAMP OPERATIONAL AMPLIFIER	0356.0521.00	NSC	LF412CN	
N132	BO LF412CN 2XFET OPAMP OPERATIONAL AMPLIFIER	0356.0521.00	NSC	LF412CN	
N145	BO LF412CN 2XFET OPAMP OPERATIONAL AMPLIFIER	0356.0521.00	NSC	LF412CN	
N150	BO LF412CN 2XFET OPAMP OPERATIONAL AMPLIFIER	0356.0521.00	NSC	LF412CN	
N175	BO LF412CN 2XFET OPAMP OPERATIONAL AMPLIFIER	0356.0521.00	NSC	LF412CN	
N185	BO LF412CN 2XFET OPAMP OPERATIONAL AMPLIFIER	0356.0521.00	NSC	LF412CN	
N215	BO LF411CN FET OPAMP OPERATIONAL AMPLIFIER	0349.3058.00	NSC	LF411CN	
N220	BO LF411CN FET OPAMP OPERATIONAL AMPLIFIER	0349.3058.00	NSC	LF411CN	
P1	VL WIRE-WRAP PIN L=11,6	0088.4542.00	DUPONT CON	75403-003	
..7	WIRE-WRAP PIN				
P10	VL WIRE-WRAP PIN L=11,6	0088.4542.00	DUPONT CON	75403-003	
..13	WIRE-WRAP PIN				
P15	VL WIRE-WRAP PIN L=11,6	0088.4542.00	DUPONT CON	75403-003	
..18	WIRE-WRAP PIN				
P20	VL WIRE-WRAP PIN L=11,6	0088.4542.00	DUPONT CON	75403-003	
	WIRE-WRAP PIN				
P21	VL WIRE-WRAP PIN L=11,6	0088.4542.00	DUPONT CON	75403-003	
	WIRE-WRAP PIN				
R1	RL 0,60W 1KOHM+-1%TK50 RESISTOR	RL 0082.2160.00	PHILIPS_CO	MRS 25	
R3	RL 0,60W 2,21KOHM+-1%TK50 RESISTOR	RL 0082.2477.00	RESISTA	MK2	
R4	RL 0,60W 10,0KOHM+-1%TK50 RESISTOR	RL 0083.1297.00	PHILIPS_CO	MRS 25	
R5	RL 0,60W 10,0KOHM+-1%TK50 RESISTOR	RL 0083.1297.00	PHILIPS_CO	MRS 25	
R7	RL 0,60W 10,0KOHM+-1%TK50 RESISTOR	RL 0083.1297.00	PHILIPS_CO	MRS 25	
R8	RL 0,60W 100KOHM+-1%TK50 RESISTOR	RL 0082.1764.00	RESISTA	MK2	
R9	RL 0,60W 100KOHM+-1%TK50 RESISTOR	RL 0082.1764.00	RESISTA	MK2	
R10	RL 0,60W 10,0 OHM+-1%TK50 RESISTOR	RL 0082.8852.00	PHILIPS_CO	MRS 25	
R11	RL 0,60W 100 OHM+-1%TK50 RESISTOR	RL 0082.6543.00	PHILIPS_CO	MRS 25	
R13	RL 0,60W 100 OHM+-1%TK50 RESISTOR	RL 0082.6543.00	PHILIPS_CO	MRS 25	
R15	RL 0,60W 100 OHM+-1%TK50 RESISTOR	RL 0082.6543.00	PHILIPS_CO	MRS 25	


wir uns alle recnte vor.

MEZ15	790 3PLU	ÄI	Datum Date	Schaltteilliste für Parts list for	Sachnummer Stock No.	Blatt-Nr. Page
	31	03.05.99	ED AF-SYNTHESIZER	0802.0411.01 SA	4+	

095.0026-0693

Für diese Unterlage behalten wir uns alle Rechte vor.


Kennz. Comp. No.	Benennung Designation	Sachnummer Stock No.	Hersteller Manufacturer	Bezeichnung Designation	enthaltten in contained in
R20	RL 0,60W 1,0 OHM+-1%TK50 METALFILMRESISTOR	RL 0099.7860.00	ROEDERSTEI	MK2	
R45	RL 0,60W 1,50KOHM+-1%TK50 RESISTOR	RL 0083.0732.00	PHILIPS_CO	MRS 25	
R46	RL 0,60W 1,50KOHM+-1%TK50 RESISTOR	RL 0083.0732.00	PHILIPS_CO	MRS 25	
R47	RL 0,60W 10,0KOHM+-1%TK50 RESISTOR	RL 0083.1297.00	PHILIPS_CO	MRS 25	
R48	RL 0,60W 10,0KOHM+-1%TK50 RESISTOR	RL 0083.1297.00	PHILIPS_CO	MRS 25	
R49	RL 0,60W 3,92KOHM+-1%TK50 RESISTOR	RL 0083.1039.00	PHILIPS_CO	MRS 25	
R50	RL 0,60W 825 OHM+-1%TK50 RESISTOR	RL 0082.2502.00	RESISTA	MK2	
R51	RL 0,60W 221 OHM+-1%TK50 RESISTOR	RL 0083.0084.00	PHILIPS_CO	MRS 25	
R52	RL 0,60W 825 OHM+-1%TK50 RESISTOR	RL 0082.2502.00	RESISTA	MK2	
R53	RL 0,60W 3,92KOHM+-1%TK50 RESISTOR	RL 0083.1039.00	PHILIPS_CO	MRS 25	
R54	RL 0,60W 562 OHM+-1%TK50 RESISTOR	RL 0083.0461.00	RESISTA	MK2	
R55	RL 0,60W 562 OHM+-1%TK50 RESISTOR	RL 0083.0461.00	RESISTA	MK2	
R60	RS 0,3W 1KOHM+-10% CERMET TRIMMING POTENTIOMETER	RS 0006.6681.00	BECKMAN	67 W	
R61	RL 0,60W 750 OHM+-1%TK50 RESISTOR	RL 0082.2360.00	ROEDERSTEI	MK2	
R62	RL 0,60W 100 OHM+-1%TK50 RESISTOR	RL 0082.6543.00	PHILIPS_CO	MRS 25	
R63	RL 0,60W 10,0 OHM+-1%TK50 RESISTOR	RL 0082.8852.00	PHILIPS_CO	MRS 25	
R64	RL 0,60W 10,0 OHM+-1%TK50 RESISTOR	RL 0082.8852.00	PHILIPS_CO	MRS 25	
R65	RL 0,60W 100 OHM+-1%TK50 RESISTOR	RL 0082.6543.00	PHILIPS_CO	MRS 25	
R66	RL 0,60W 100 OHM+-1%TK50 RESISTOR	RL 0082.6543.00	PHILIPS_CO	MRS 25	
R70	RL 0,60W 681 OHM+-1%TK50 RESISTOR	RL 0083.0490.00	RESISTA	MK2	
R71	RL 0,35W1,93KOHM+-0,1%T25 RESISTOR	RL 0083.9698.00	DRALORIC	SMA0207	
R72	RL 0,35W1,87KOHM+-0,1%T25 RESISTOR	RL 0083.9669.00	DRALORIC	SMA0207	
R73	RL 0,35W1,87KOHM+-0,1%T25 RESISTOR	RL 0083.9669.00	DRALORIC	SMA0207	
R74	RL 0,60W 1MOHM+-1%TK50 RESISTOR	RL 0082.7862.00	RESISTA	MK2	
R75	RL 0,35W412 OHM+-0,1%TK25 RESISTOR	RL 0083.8404.00	DRALORIC	SMA0207	
R76	RL 0,35W402 OHM+-0,1%TK25 RESISTOR	RL 0083.8385.00	DRALORIC	SMA0207	
R77	RL 0,35W397 OHM+-0,1%TK25 RESISTOR	RL 0083.8379.00	DRALORIC	SMA0207	
R78	RL 0,60W 1MOHM+-1%TK50 RESISTOR	RL 0082.7862.00	RESISTA	MK2	
R80	RL 0,60W 10,0 OHM+-1%TK50 RESISTOR	RL 0082.8852.00	PHILIPS_CO	MRS 25	
R83	RL 0,60W 100 OHM+-1%TK50 RESISTOR	RL 0082.6543.00	PHILIPS_CO	MRS 25	
R84	RL 0,60W 1MOHM+-1%TK50 RESISTOR	RL 0082.7862.00	RESISTA	MK2	
R90	RL 0,60W 12,1KOHM+-1%TK50 RESISTOR	RL 0083.1351.00	PHILIPS_CO	MRS 25	
R91	RL 0,60W 2,21KOHM+-1%TK50 RESISTOR	RL 0082.2477.00	RESISTA	MK2	
R101	RL 0,35W52,3KOHM+-0,1%T25 RESISTOR	RL 0084.4448.00	RUF	BPO207	
R102	RL 0-OHM-WIDERST. 0204 O-OHM RESISTOR	RL 0069.0000.00	DRALORIC	OMA 0204	
R102	NUR VAR/ONLY MOD: 02 43 RL 0,60W 215 OHM+-1%TK50 RESISTOR	RL 0083.0078.00	PHILIPS_CO	MRS 25	
R103	NUR VAR/ONLY MOD: 04 RL 0,60W 1MOHM+-1%TK50 RESISTOR	RL 0082.7862.00	RESISTA	MK2	
R104	RL 0,60W 604 OHM+-1%TK50 RESISTOR	RL 0082.2425.00	RESISTA	MK2	
	NUR VAR/ONLY MOD: 02 43				

MEZ15	790 3PLU	Äi	Datum Date	Schaltteilliste für Parts list for	Sachnummer Stock No.	Blatt-Nr. Page
		31	03.05.99	ED AF-SYNTHESIZER	0802.0411.01 SA	5+

095.0028-0693

Wir uns alle Rechte vor.

Kennz. Comp. No.	Benennung Designation	Sachnummer Stock No.	Hersteller Manufacturer	Bezeichnung Designation	enthalten in contained in
R104	RL 0,60W 392 OHM+-1%TK50 RESISTOR NUR VAR/ONLY MOD: 04	RL 0082.2183.00	RESISTA	MK2	
R105	RL 0,60W 1KOHM+-1%TK50 RESISTOR NUR VAR/ONLY MOD: 02 43	RL 0082.2160.00	PHILIPS_CO	MRS 25	
R105	RL 0,60W 787 OHM+-1%TK50 RESISTOR NUR VAR/ONLY MOD: 04	RL 0083.0549.00	RESISTA	MK2	
R106	RL 0,60W 100KOHM+-1%TK50 RESISTOR	RL 0082.1764.00	RESISTA	MK2	
R107	RL 0,60W 1KOHM+-1%TK50 RESISTOR	RL 0082.2160.00	PHILIPS_CO	MRS 25	
R108	RL 0,60W 100KOHM+-1%TK50 RESISTOR	RL 0082.1764.00	RESISTA	MK2	
R109	RL 0,35W4,99KOHM+-0,1%T25 RESISTOR	RL 0084.2480.00	DRALORIC	SMA0207	
R110	RL 0,35W 1 KOHM+-0,1%TK25 RESISTOR	0083.9146.00	DRALORIC	SMA0207	
R111	RL 0,60W 1MOHM+-1%TK50 RESISTOR	RL 0082.7862.00	RESISTA	MK2	
R112	RL 0,35W100KOHM+-0,1%TK25 RESISTOR	RL 0084.4983.00	DRALORIC	SMA0207	
R115	RL 0,60W 33,2KOHM+-1%TK50 RESISTOR NUR VAR/ONLY MOD: 04	RL 0083.1674.00	RESISTA	MK2	
R120	RL 0,35W4,70KOHM+-0,1%T25 RESISTOR	RL 0084.2439.00	DRALORIC	SMA0207	
R121	RL 0,60W 2,21KOHM+-1%TK50 RESISTOR	RL 0082.2477.00	RESISTA	MK2	
R122	RL 0,35W4,70KOHM+-0,1%T25 RESISTOR	RL 0084.2439.00	DRALORIC	SMA0207	
R123	RL 0,35W2,49KOHM+-0,1%T25 RESISTOR	RL 0083.9900.00	DRALORIC	SMA0207	
R124	RL 0,35W4,70KOHM+-0,1%T25 RESISTOR	RL 0084.2439.00	DRALORIC	SMA0207	
R125	RL 0,35W4,70KOHM+-0,1%T25 RESISTOR	RL 0084.2439.00	DRALORIC	SMA0207	
R126	RL 0,35W4,70KOHM+-0,1%T25 RESISTOR	RL 0084.2439.00	DRALORIC	SMA0207	
R127	RL 0,60W 2,21KOHM+-1%TK50 RESISTOR	RL 0082.2477.00	RESISTA	MK2	
R140	RL 0,60W 1KOHM+-1%TK50 RESISTOR	RL 0082.2160.00	PHILIPS_CO	MRS 25	
R141	RL 0,35W8,06KOHM+-0,1%T25 RESISTOR	RL 0084.2880.00	DRALORIC	SMA0207	
R142	RL 0,35W10,1KOHM+-0,1%T25 RESISTOR	RL 0084.3070.00	DRALORIC	SMA0207	
R143	RL 0,35W10,1KOHM+-0,1%T25 RESISTOR	RL 0084.3070.00	DRALORIC	SMA0207	
R144	RL 0,35W2,71KOHM+-0,1%T25 RESISTOR	RL 0083.9975.00	DRALORIC	SMA0207	
R145	RL 0,60W 1,50KOHM+-1%TK50 RESISTOR	RL 0083.0732.00	PHILIPS_CO	MRS 25	
R149	RL 0,35W2,21KOHM+-0,1%T25 RESISTOR	RL 0083.9800.00	DRALORIC	SMA0207	
R150	RL 0-OHM-WIDERST. 0204 O-OHM RESISTOR	RL 0069.0000.00	DRALORIC	OMA 0204	
R151	RL 0,35W52,3KOHM+-0,1%T25 RESISTOR	RL 0084.4448.00	RUF	BPO207	
R152	RL 0,60W 1MOHM+-1%TK50 RESISTOR	RL 0082.7862.00	RESISTA	MK2	
R153	RL 0,60W 1KOHM+-1%TK50 RESISTOR	RL 0082.2160.00	PHILIPS_CO	MRS 25	
R154	RL 0,35W604 OHM+-0,1%TK25 RESISTOR	RL 0083.8727.00	DRALORIC	SMA0207	
R155	RL 0,35W100KOHM+-0,1%TK25 RESISTOR	RL 0084.4983.00	DRALORIC	SMA0207	
R156	RL 0,35W4,99KOHM+-0,1%T25 RESISTOR	RL 0084.2480.00	DRALORIC	SMA0207	
R157	RL 0,35W 1 KOHM+-0,1%TK25 RESISTOR	0083.9146.00	DRALORIC	SMA0207	
R160	RL 0,60W 100KOHM+-1%TK50 RESISTOR	RL 0082.1764.00	RESISTA	MK2	
R161	RL 0,60W 1KOHM+-1%TK50 RESISTOR	RL 0082.2160.00	PHILIPS_CO	MRS 25	
R162	RL 0,60W 100KOHM+-1%TK50 RESISTOR	RL 0082.1764.00	RESISTA	MK2	

MEZ15	790 3PLU	ÄI	Datum Date	Schaltteilliste für Parts list for	Sachnummer Stock No.	Blatt-Nr. Page
	31	03.05.99	ED AF-SYNTHESIZER	0802.0411.01 SA	6+	

095.0026-0693

Für diese Unterlage behalten
wir uns alle Rechte vor.

Kennz. Comp. No.	Benennung Designation	Sachnummer Stock No.	Hersteller Manufacturer	Bezeichnung Designation	enthalten in contained in
R163	RL 0,60W 22,1KOHM+-1%TK50 RESISTOR	RL 0083.1545.00	RESISTA	MK2	
R166	RL 0,35W4,70KOHM+-0,1%T25 RESISTOR	RL 0084.2439.00	DRALORIC	SMA0207	
R167	RL 0,35W4,70KOHM+-0,1%T25 RESISTOR	RL 0084.2439.00	DRALORIC	SMA0207	
R168	RL 0,35W4,70KOHM+-0,1%T25 RESISTOR	RL 0084.2439.00	DRALORIC	SMA0207	
R169	RL 0,35W4,70KOHM+-0,1%T25 RESISTOR	RL 0084.2439.00	DRALORIC	SMA0207	
R175	RL 0,60W 2,21KOHM+-1%TK50 RESISTOR	RL 0082.2477.00	RESISTA	MK2	
R176	RL 0,35W4,70KOHM+-0,1%T25 RESISTOR	RL 0084.2439.00	DRALORIC	SMA0207	
R177	RL 0,35W4,70KOHM+-0,1%T25 RESISTOR	RL 0084.2439.00	DRALORIC	SMA0207	
R178	RL 0,60W 2,21KOHM+-1%TK50 RESISTOR	RL 0082.2477.00	RESISTA	MK2	
R180	RL 0,60W 1KOHM+-1%TK50 RESISTOR	RL 0082.2160.00	PHILIPS_CO	MRS 25	
R182	RL 0,35W25,8KOHM+-0,1%T25 RESISTOR	RL 0084.3858.00	DRALORIC	SMA0207	
R183	RL 0,35W10,0KOHM+-0,1%T25 RESISTOR	RL 0084.3064.00	DRALORIC	SMA0207	
R184	RL 0,35W10,0KOHM+-0,1%T25 RESISTOR	RL 0084.3064.00	DRALORIC	SMA0207	
R185	RL 0,35W1,50KOHM+-0,1%T25 RESISTOR	RL 0083.9481.00	DRALORIC	SMA0207	
R215	RL 0,60W 2,21KOHM+-1%TK50 RESISTOR	RL 0082.2477.00	RESISTA	MK2	
R216	RL 0,60W 2,21KOHM+-1%TK50 RESISTOR	RL 0082.2477.00	RESISTA	MK2	
R216	NUR VAR/ONLY MOD: 02 RL 0,60W 5,49KOHM+-1%TK50 RESISTOR	RL 0083.1139.00	RESISTA	MK2	
R216	NUR VAR/ONLY MOD: 04 RL 0,60W 4,42KOHM+-1%TK50 RESISTOR	RL 0083.1074.00	RESISTA	MK2	
R217	NUR VAR/ONLY MOD: 43 RS 0,5W100 OHM+-10%10X10X CERMET POTENTIOMETER T	RS 0247.7984.00	BI_TECHNOL	72PM	
R217	NUR VAR/ONLY MOD: 02 RS 0,5W200 OHM+-10%10X10X CERMET POTENTIOMETER T	RS 0087.7554.00	BI_TECHNOL	72PM	
R218	NUR VAR/ONLY MOD: 04 43 RL 0,60W 1KOHM+-1%TK50 RESISTOR	RL 0082.2160.00	PHILIPS_CO	MRS 25	
R221	RL 0,60W 10,0 OHM+-1%TK50 RESISTOR	RL 0082.8852.00	PHILIPS_CO	MRS 25	
R225	RL 0,60W 10,0KOHM+-1%TK50 RESISTOR	RL 0083.1297.00	PHILIPS_CO	MRS 25	
R226	RL 0,60W 10,0KOHM+-1%TK50 RESISTOR	RL 0083.1297.00	PHILIPS_CO	MRS 25	
R232	RL 0,60W 100 OHM+-1%TK50 RESISTOR	RL 0082.6543.00	PHILIPS_CO	MRS 25	
V1	AK BC337-40 N 45V 800MA TRANSISTOR	0303.9524.00	ITT	BC337-40	
V8	AD 1N4448 75V UDI DIODE	AD 0012.0700.00	PHILIPS_SE	1N4448 "	
V10	AD 1N4448 75V UDI DIODE	AD 0012.0700.00	PHILIPS_SE	1N4448 "	
V50	AK BF374 N 25V 100MA TRANSISTOR	0377.3859.00	MOTOROLA	BF374	
V52	AK BF374 N 25V 100MA TRANSISTOR	0377.3859.00	MOTOROLA	BF374	
V55	AK BC337-40 N 45V 800MA TRANSISTOR	0303.9524.00	ITT	BC337-40	
V65	AM 2N4857A N-D 40V JFET FET	0092.9422.00	PHILIPS_SE	2N4857(A)	
V80	AM 2N4857A N-D 40V JFET FET	0092.9422.00	PHILIPS_SE	2N4857(A)	
V81	AD 1N4448 75V UDI DIODE	AD 0012.0700.00	PHILIPS_SE	1N4448 "	
V82	AM 2N4857A N-D 40V JFET FET	0092.9422.00	PHILIPS_SE	2N4857(A)	
V83	AD 1N4448 75V UDI DIODE	AD 0012.0700.00	PHILIPS_SE	1N4448 "	

MEZ15

790 3PLU

Äi

Datum
Date

Schaltteilliste für
Parts list for

Sachnummer
Stock No.

Blatt-Nr.
Page



ROHDE & SCHWARZ

31 03.05.99

ED AF-SYNTHESIZER


0802.0411.01 SA

7+

095.0026-0693

Kennz. Comp. No.	Benennung Designation	Sachnummer Stock No.	Hersteller Manufacturer	Bezeichnung Designation	enthalten in contained in
V90	AM 2N4857A N-D 40V JFET FET	0092.9422.00	PHILIPS_SE	2N4857(A)	
V91	AD 1N4448 75V UDI DIODE	AD 0012.0700.00	PHILIPS_SE	1N4448 "	
V101	AE 5082-2810 SCHOTTKY DIODE	0012.9389.00	HEWLETT_PA	5082-2810 GEGURTET	
V104	AD 1N4448 75V UDI DIODE	AD 0012.0700.00	PHILIPS_SE	1N4448 "	
V105	AD 1N4448 75V UDI DIODE	AD 0012.0700.00	PHILIPS_SE	1N4448 "	
V140	AD 1N4448 75V UDI DIODE	AD 0012.0700.00	PHILIPS_SE	1N4448 "	
V141	AD 1N4448 75V UDI DIODE	AD 0012.0700.00	PHILIPS_SE	1N4448 "	
V145	AE BZX55/B5V1 0,5W ZDI ZENER DIODE	AE 0262.5837.00	TELEFUNKEN	BZX55B5V1	
V150	AE 5082-2800 SCHOTTKY DIODE	0012.9066.00	HEWLETT_PA	5082-2800	
V154	AD 1N4448 75V UDI DIODE	AD 0012.0700.00	PHILIPS_SE	1N4448 "	
V155	AD 1N4448 75V UDI DIODE	AD 0012.0700.00	PHILIPS_SE	1N4448 "	
V180	AD 1N4448 75V UDI DIODE	AD 0012.0700.00	PHILIPS_SE	1N4448 "	
V181	AD 1N4448 75V UDI DIODE	AD 0012.0700.00	PHILIPS_SE	1N4448 "	
X1	FP STECKERLEISTE 32POL. MULTIPOINT CONNECTOR	FP 0514.4550.00	SIEMENS	V42254-B1200-B641	
X10	VL WIRE-WRAP PIN L=11,6 WIRE-WRAP PIN	0088.4542.00	DUPONT CON	75403-003	
X11	VL WIRE-WRAP PIN L=11,6 WIRE-WRAP PIN	0088.4542.00	DUPONT CON	75403-003	
X13	VL WIRE-WRAP PIN L=11,6 WIRE-WRAP PIN	0088.4542.00	DUPONT CON	75403-003	

Wir uns alle Rechte vor.

MEZ 15	790 3PLU	Äl	Datum Date	Schalttailliste für Parts list for	Sachnummer Stock No.	Blatt-Nr. Page
	31	03.05.99	ED AF-SYNTHESIZER	0802.0411.01 SA	8-	

095.0026-0693



ROHDE & SCHWARZ

SERVICEUNTERLAGEN

Option "X-Ausgang"

SMG-B3 801.9609.02

Printed in West Germany

ENGLISH SERVICE MANUAL FOLLOWS FIRST COLOURED DIVIDER

Inhaltsübersicht

	Seite
5	<u>Serviceanleitung Option "X-Ausgang" SMG-B3</u> 5.1
5.1	Funktionsbeschreibung 5.1
5.2	Prüfung 5.1
5.3	Schnittstellen 5.2
	Schaltteilliste
	Stromlauf
	Bestückungsplan

5.1 Funktionsbeschreibung

(Hierzu Stromlauf 801.9621 S)

Die Option "X-Ausgang" erzeugt beim Sweepablauf am Ausgang "X-Axis" eine Spannungsrampe von 0 V bis 10 V. Dieses Signal wird mit einem 10-bit-D/A-Wandler (D1) erzeugt. Die Ansteuerung des D/A-Wandlers erfolgt vom Mikroprozessor über die serielle Schnittstelle. Die Daten werden in den Schieberegistern D10 und D15 gespeichert. Das Signal "Z-Axis" wird vom Schieberegister D15 abgenommen.

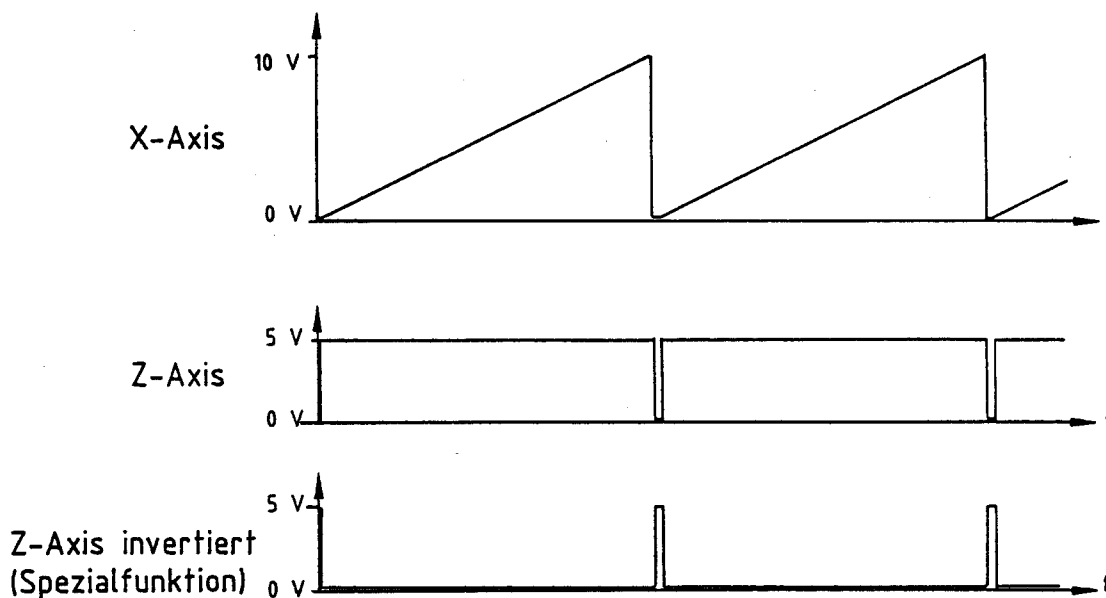
5.2 Prüfung

→ Oszilloskop an den Ausgang "X-Axis" bzw. "Z-Axis" anschließen.

→ Am Gerät folgenden Sweep einstellen:

Startfrequenz = 100 MHz
Stoppfrequenz = 200 MHz
Step = 1 MHz
Time/Step = 10 ms

→ In der Betriebsart Auto-Sweep sind folgende Signale zu sehen:



5.3 Schnittstellen

Anschluß	Bezeichnung	Bemerkung
X5	X-Axis	Spannungsrampe 0...10 V
X10	Z-Axis	Logik-Ausgang, Polarität programmierbar
X1.2B	Test	Diagnoseausgang 0...4 V
X1.3B	Clock	serielle Schnittstelle
X1.4B	Daten	serielle Schnittstelle
X1.5B	Strobe	serielle Schnittstelle



ROHDE & SCHWARZ

SERVICE DOCUMENTS

X Output Option

SMG-B3 801.9609.02

Printed in West Germany

Contents

	Page
5	<u>Service Manual for Option X Output SMG-B3</u> 5.1
5.1	Function Description 5.1
5.2	Checking 5.1
5.3	Interfaces 5.2
	Component list
	Circuit diagram
	Component layout diagram

5.1 Function Description

(See circuit diagram 801.9621 S)

During the sweep, the option "X Output" produces a voltage ramp of 0 V to 10 V at the output "X-Axis". This signal is generated using a 10-bit D/A converter (D1). The D/A converter is driven by the microprocessor via the serial interface. The data are stored in the shift registers D10 and D15. The signal "Z-Axis" is taken from the shift register D15.

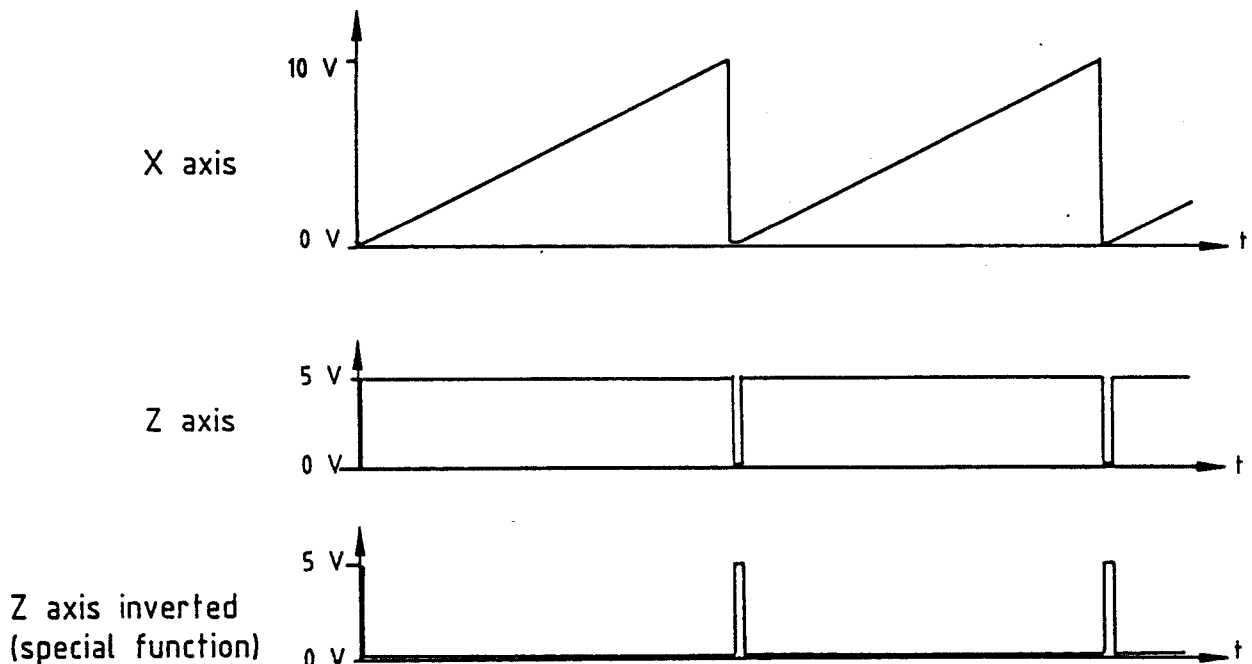
5.2 Checking

→ Connect oscilloscope to the output "X-Axis" or "Z-Axis".

→ Set the following sweep on the instrument:

Start frequency = 100 MHz
 Stop frequency = 200 MHz
 Step = 1 MHz
 Time/step = 10 ms

→ The following signals can be seen in the operating mode auto sweep:




5.3 Interfaces

Pin	Designation	Remark
X5	X-Axis	Voltage ramp 0 to 10 V
X10	Z-Axis	Logic output, polarity programmable
X1.2B	Test	Diagnostic output 0 to 4 V
X1.3B	Clock	Serial interface
X1.4B	Data	Serial interface
X1.5B	Strobe	Serial interface

Schaltteillisten
Stromläufe
Bestückungspläne
Part lists
Circuit diagrams
Components plans
Listes des pièces détachées
Schémas de Circuit
Plans des composants


Für diese Unterlage behalten wir uns alle Rechte vor.

Kennz. Comp. No.	Benennung Designation	Sachnummer Stock No.	Hersteller Manufacturer	Bezeichnung Designation	enthalten in contained in	
A50	ED X-AUSGANG X OUTPUT	0801.9621.02				
W5	DV KABEL W5 CABLE	0801.9650.00			0801.9680.00	
W10	DV KABEL W10 CABLE	0801.9667.00			0801.9680.00	
MEZ15	790 3PLU	Äl	Datum Date	Schalttailliste für Parts list for	Sachnummer Stock No.	Blatt-Nr. Page
 ROHDE & SCHWARZ	02	03.05.99	GG SMG-B3 X-AUSGANG SMG-B3 X OUTPUT	0801.9609.01 SA	1-	

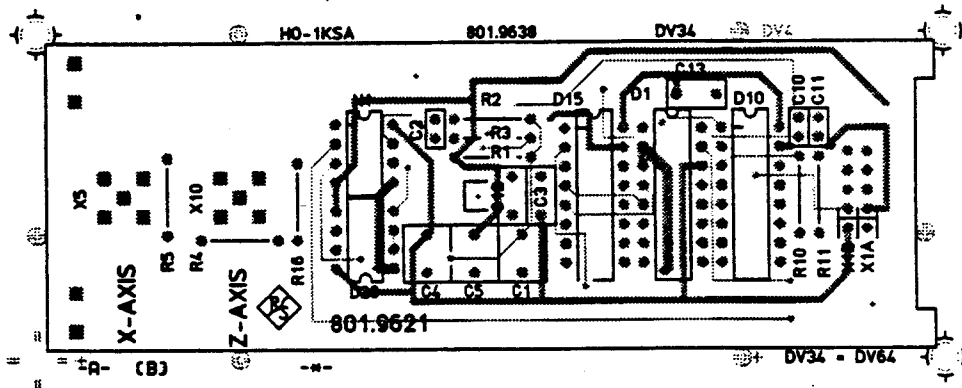
Für diese Unterlage behalten wir uns alle Rechte vor.

Kennz. Comp. No.	Benennung Designation	Sachnummer Stock No.	Hersteller Manufacturer	Bezeichnung Designation	enthalten in contained in
C1	CK 1UF+-5%50V7,5X5,5X10,5 CAPACITOR	CK 0099.2998.00	SIEMENS	B32529-C5105-J189	
C2	CC 1NF+-10%63V K2000 CERAMIC CAPACITOR	CC 0022.0784.00	PHILIPS_CO	2222 630	
C3	CK 1ONF+-5%63V RD2,5H7MKT CAPACITOR	CK 0099.2869.00	ROEDERSTEI	MKT 1826-310-014W	
C4	CK 1UF+-5%50V7,5X5,5X10,5 CAPACITOR	CK 0099.2998.00	SIEMENS	B32529-C5105-J189	
C5	CK 1UF+-5%50V7,5X5,5X10,5 CAPACITOR	CK 0099.2998.00	SIEMENS	B32529-C5105-J189	
C10	CC 10PF+-0,25PF3X4NPO CAPACITOR	CC 0087.6429.00	PHILIPS_CO	2222 678 10109	
C11	CC 10PF+-0,25PF3X4NPO CAPACITOR	CC 0087.6429.00	PHILIPS_CO	2222 678 10109	
C12	CK 1ONF+-5%63V RD2,5H7MKT CAPACITOR	CK 0099.2869.00	ROEDERSTEI	MKT 1826-310-014W	
C13	CK 1ONF+-5%63V RD2,5H7MKT CAPACITOR	CK 0099.2869.00	ROEDERSTEI	MKT 1826-310-014W	
D1	BJ AD7533CQ 1X10B-DAC D/A-CONVERTER	BJ 0300.8740.00	ANALOG_DEV	AD7533CQ(CD)	
D10	BL PC74HC4094P 8ST.SH.REG 8-STAGE SHIFT&STORE REG.	0099.9711.00	PHILIPS_SE	(PC)74HC4094N(P)	
D15	BL PC74HC4094P 8ST.SH.REG 8-STAGE SHIFT&STORE REG.	0099.9711.00	PHILIPS_SE	(PC)74HC4094N(P)	
D20	BS TL601CP 1X ANALOGSCH ANALOG SWITCH	BJ 0213.4530.00	TEXAS	TL601CP [MJG]	
N1	BO LF412CN 2XFET OPAMP OPERATIONAL AMPLIFIER	0356.0521.00	NSC	LF412CN	
R1	RL 0,60W 5,62KOHM+-1%TK50 RESISTOR	RL 0082.2190.00	PHILIPS_CO	MRS 25	
R2	RL 0,60W 12,1KOHM+-1%TK50 RESISTOR	RL 0083.1351.00	PHILIPS_CO	MRS 25	
R3	RL 0,60W 15,0KOHM+-1%TK50 RESISTOR	RL 0083.1400.00	RESISTA	MK2	
R4	RL 0,60W 10,0KOHM+-1%TK50 RESISTOR	RL 0083.1297.00	PHILIPS_CO	MRS 25	
R5	RL 0,60W 100 OHM+-1%TK50 RESISTOR	RL 0082.6543.00	PHILIPS_CO	MRS 25	
R10	RL 0,60W 1KOHM+-1%TK50 RESISTOR	RL 0082.2160.00	PHILIPS_CO	MRS 25	
R11	RL 0,60W 1KOHM+-1%TK50 RESISTOR	RL 0082.2160.00	PHILIPS_CO	MRS 25	
R16	RL 0,60W 100 OHM+-1%TK50 RESISTOR	RL 0082.6543.00	PHILIPS_CO	MRS 25	
W1	DY BUCHSENEINHEIT CABLE	0801.9709.00			
X5	FJ EINBAUSTECKER F.GS SMB PLUG	FJ 0063.5168.00	ROSENBERGE	59S106-400-D3	
X10	FJ EINBAUSTECKER F.GS SMB PLUG	FJ 0063.5168.00	ROSENBERGE	59S106-400-D3	

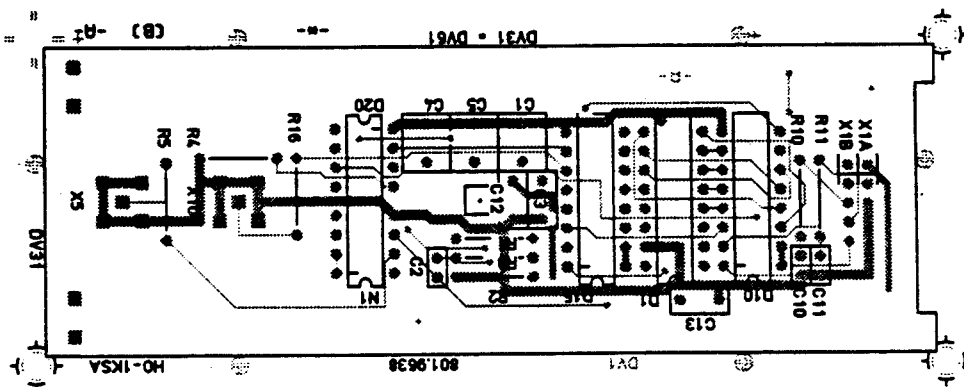
095.0026-0693

MEZ15	790 3PLU	ÄI	Datum Date	Schaltteilliste für Parts list for	Sachnummer Stock No.	Blatt-Nr. Page
	ROHDE & SCHWARZ	01	03.05.99	ED X-AUSGANG X OUTPUT	0801.9621.01 SA	1-

Ansicht und Leitungsführung Bauteilseite
View of tracks on component side



Ansicht und Leitungsführung Lötseite
View of tracks on solder side



Für diese Unterlage behalten wir uns alle Rechte vor



ACHTUNG: EGB!
Elektrostatisch gefährdete Bauelemente erfordern eine besondere Handhabung.
ATTENTION ESD!
Electrostatic sensitive devices require a special handling.

VARIANTENERKLÄRUNG / VERSION
VAR 02 - GRUNDAUSFÜHRUNG / BASIC MODEL

A	04.86	HO	Maße ohne Toleranzangabe			Maßstab	1 : 1	Z		
						Halbzeug, Werkstoff				
				1KSA	Tag	Name	Benennung	Z		
				Bearb.	04.86	HO				
			Gepr.			X - AUSGANG				
			Norm							
						Zeichn.-Nr.	801.9621.01	ED	Blatt-Nr.	2
And. Zust.	Änderungs-Mitteilung	Tag				Name	zu Gerät	SMG	reg. i. V.	801.9609 V



